

LANDBOUTEGNOLOGIE



GRAAD 12



basic education

Department:
Basic Education
REPUBLIC OF SOUTH AFRICA





LANDBOUTEGNOLOGIE

GRAAD 12



Graad 12 Kwartaal 1

Week	Topic	Content
4 hours	4uur	
1 1	PAT Design portfolio Ontwerp-portefeulje	First part of PAT must be handed out to the learners. moet uitgedeel word aan die leerders. Learners are given three weeks to complete the design portfolio. Leerders kry drie weke om die portefeulje te voltooi.
1 1	Research task Navorsings-taak	The research task must be handed out in the first week of the term and learners must hand it in at the end of the first term. Die navorsingstaak moet uitgedeel word in die eerste week van die kwartaal en die leerders moet inhandig aan die einde van die eerste kwartaal.
1-2 1-2	Safety Veiligheid	<p>Safety hazards: three steps of a hazard control system Veiligheidsgevaare: Drie stappe van 'n gevaarbeheerstelsel</p> <p>OHS Act: farm safety regulations according to the OHS Act for: Plaasveiligheidsregulasies volgens die Wet op BGV vir:</p> <ul style="list-style-type: none"> • Tractors Trekkers Vehicles, tools and machinery • Voertuie, gereedskap en masjinerie • Fire protection Brandbeskerming • Orientation and training Oriëntering en opleiding • Chemical hazards Chemiese gevare • Emergency preparation Noodgeval voorbereiding • Farm buildings Plaasgeboue • Farm yard Plaaswerf • Work environment Werksomgewing <p>Health hazards associated with the farm environment: Gesondheidsgevaare wat verband hou met die plaas-omgewing:</p> <ul style="list-style-type: none"> • Chemical hazards Chemiese gevare • Biological hazards Biologiese gevare • Physical agents Fisiese faktore • Work design (ergonomic) hazards Werskomstandighede (ergonomiese)gevaare • Work place stress Werkspanning



3 3	SafetyVeiligheid	<p>Tractor safety:Trekkerveiligheid:</p> <ul style="list-style-type: none"> • Roll-overs Omslaan • Power take off shaft accidents (PTO) Kragaftakas ongelukke (PTO) • Improper hitching; Onvoldoende haak/ koppeling van implemente; • Transport tractors safely Veilige vervoer van trekkers • Identification of tractor hazards Identifikasie van trekkegevore <p>Noise pollution:Geraasbesoedeling:</p> <ul style="list-style-type: none"> • The effect of noise pollution Die effek van geraasbesoedeling • Prevention of noise induced hearing loss Voorkoming van geraas-geïnduseerde gehoorverlies • When is it too noisy? Wanneer is geraas nadelig? <p>Basic general safety regulations: Basiese algemene veiligheidsregulasies:</p> <ul style="list-style-type: none"> • Safe handling and safety regulations applicable to all workshop equipment, farm equipment as well as skills and construction processes must be dealt with through the content during the year.Veilige hantering en regulasies van toepassing op al die werkswinkeltoerusting, plaastoerusting, sowel as vaardighede en konstruksieprosesse. Moet gehanteer word deur die inhoud wat gedurende die jaar behandel word.
4 4	PAT Manufacturing processPAT Vervaardigingsproses	<p>Learners must start with the manufacturing of the PAT project/product.Leerders moet begin met die vervaardiging van die PAT projek / produk. (Four half-hour periods must be allocated for this per cycle/week or afternoons) (Vier half-uur periodes moet toegeken word vir hierdie projek per siklus / week of in die na- middag)</p>



4 4	Structural materials Strukturele materiaal	<p>Materials and structures: Materiale en strukture:</p> <p>Metal alloys: Types, composition and properties: Metaal legerings: Tipes, samestelling en eienskappe:</p> <p>Stainless steel: Vlekvrye staal:</p> <ul style="list-style-type: none"> • manganese mangaan • chromium chroom • nickel nikkal <p>Brass: Geelkoper:</p> <ul style="list-style-type: none"> • copper koper • tin sink <p>Bronze: Brons:</p> <ul style="list-style-type: none"> • copper koper • zinc tin <p>Synthetic materials: properties, application and safety: Sintetiese materiale: eienskappe, toepassing en veiligheid:</p> <ul style="list-style-type: none"> • Adhesives: silicon, PVC weld, cold glue, epoxy, latex and no more nails; Kleefmiddels: silikon, PVC, koue lym, epoksies, lateks ens; • Glass fibre, resin Glasvesel, hars • Vesconite Vesconite • Teflon Teflon
-----	---	---



5-6 5-6	Structural materials Strukturele materiaal	<p>Electric fences :Ge-elektrifiseerde heinings:</p> <ul style="list-style-type: none"> • SafetyVeiligheid • Causes of interferenceOorsake van steurings • TestingToets vir steurings • Lightning protectionWeerligbeskerming • Warning platesWaarskuwingstekens • MaintenanceOnderhoud • Earth return safety systemAardlekbeskermingstoestel • Poor earth conditionsSwak aardingsomstandighede • OHS acts applicable to electrical fencesBGV wetgewing van toepassing op elektriese heinings <p>Different parts of electrical fences:Verskillende onderdele van elektriese heinings:</p> <ul style="list-style-type: none"> • energizers energieopwekker • energy sources kragbronne • battery (care and maintenance) battery (versorging en instandhouding) • isolators isolators • wire tensioners draadspanners • supportwires drade • posts pale • standards droppers
7-8 7-8	EnergyEnergie	<p>Alternative energy: Alternatiewe energie:</p> <p>Wind energy: Windenergie:</p> <ul style="list-style-type: none"> • How to transform wind energy into a form of electrical powerHoe om windenergie te omskep in elektriese krag • Buying and installing a wind turbine Koop en installering van 'n windturbine • Advantages of wind energyVoordele van windenergie • Disadvantages of wind energyNadele van windenergie <p>Solar energy: Solar/Sonkrag:</p> <ul style="list-style-type: none"> • What is “solar” Wat is “SOLAR” power? krag? • Solar hot water panels Solar warmwaterpanele • Solar electric panels Solar-elektriesepanele • Producing electricity from solar energy Vervaardiging van elektrisiteit uit sonkrag • The efficiency of solar cell Die doeltreffendheid van die solarsel • Advantages of using solar energy Voordele van solarenergie • Disadvantages of solar energy Nadele van solarenergie



9-10 9-10	Energy/Energie	<p>Geothermal energy: Geotermiese energie:</p> <ul style="list-style-type: none"> • What is “g eothermal ” Wat is “geotermiese” power? krag? • Harnessing of geothermal energy (power stations) Benutting van geotermiese energie (kragstasies) • Main problems/Vernaamste probleme • Advantages of geothermal energy Voordele van geotermiese energie • Disadvantages of geothermal energy Nadele van geotermiese energie <p>Bio-energy: Bio-energie:</p> <ul style="list-style-type: none"> • What is “ b io ” Wat is “bio” fuel? brandstof? • Manufacturing bio diesel Vervaardiging bio diesel • Advantages of bio fuel Voordele van bio-brandstof • Disadvantages of bio fuel Nadele van bio-brandstof <p>Alternative fuels obtained from plant origin Alternatiewe brandstof verkry van plantaardige oorsprong</p> <ul style="list-style-type: none"> • Ethanol Ethanol • Methanol Metanol • Methane gas Metaan gas
	Test 1/Toets 1	Learners must write a formal test during the end of this term not shorter than 100 marks with a time allocation of 2 hours. Leerders moet 'n formele toets skryf aan die einde van die termyn nie korter as 100 punte met 'n tydsduur van 2 ure.
Formal assessment Term 1/Formele assessering Kwartaal 1	Test 1 – 75%/Toets 1-75%	Research task Term 1: one of the following./Navorsings taak Kwartaal 1: Een van die volgende:
Research task – 25%/Navorsings taak - 25%		Teacher can also use his or her own topics/Onderwyser kan ook van sy of haar eie onderwerpe gebruik maak.
PAT Design – 25%/PAT Ontwerp - 25%	(The PAT marks must be used at the end of the year for the final PAT mark.) (Die PAT punte moet gebruik word aan die einde van die jaar vir die finale PAT-punt.)	<ul style="list-style-type: none"> • Alternative energy sources used in agriculture; Alternatiewe energiebronne in die landbou; • Electrical fences; Elektriese heinings; • Accidents in an agricultural environment; and Ongelukke in 'n landbou-omgewing of • Centre pivot irrigation. Spilpunt besproeiing.



3.10 Graad 12 Kwartaal 2

WeekWeek 4 hours 4 ure	TopicOnderwerp	ContentInhoud
	Practical Task 1 Praktiese Taak 1	Teacher must do one practical task with the learners during this term. Onderwyser moet 'n praktiese taak tydens hierdie kwartaal met die leerders doen.
1 1	Construction Konstruksie processes prosesse	<p>Skills and construction processes :Vaardigheid en konstruksieprosesse:</p> <p>Welding: Sweiswerk:</p> <ul style="list-style-type: none"> • CO₂ -welding: metal inserted gas welding (MIG welding) components, working and application; and CO₂ Sweising: Metaal inertgassweising (MIG-sweising) Komponente, werking en toepassing; en <p>Advanced welding joints and their applications: Gevorderde sweistegnieke en hul toepassing:</p> <ul style="list-style-type: none"> • Overhead welding Oorhoofse sweising • Vertical up welding Vertikaal opwaartse sweising • Horizontal square but weld Horisontaal vierkantige sweising • Pipe welding Pypweising • Welding of galvanized iron Sweising van gegalvaniseerde yster • Welding of cast iron Sweis van gietyster • Hard facing of worn parts\ implements Hardvlakking van verslete onderdele / implemente • Shrinking of welding joints Krimping/distorsie van gesweide metaal • Oxy acetylene cutting: Oksi-asetileen sny: • Equipment, components and working Toerusting, komponente en werking • Plasma cutting: Plasma sny: • Application, handling and working Toepassing, hantering en werking
2-3 2-3	Tools, equipment and systems Gereedskap, toerusting en stelsels	<p>Tools, equipment, mechanized implements and systems Gereedskap, toerusting, gemeganiseerde implemente en stelsels</p> <p>Harvesting or processing machines/equipment: identification, working and basic components: Oes- of gewasverwerkingsmasjienerie / toerusting: identifikasie, werking en basiese komponente:</p> <ul style="list-style-type: none"> • Cutting machines Snymasjiene • Bailing machines Baalmasjiene • Silage cutter Kuilvoerkerwers • Harvesting machines Stropers • Hammer mill Hamermeul



4-5 4-5	Tools and equipment Gereedskap en toerusting	<p>Tractor systems/Trekkerstelsels/sisteme</p> <p>Tractor hydraulic systems: identification and working: Trekker hidrouliese sisteme: identifikasie en werking:</p> <ul style="list-style-type: none"> • Single action hydraulic cylinders Enkelaksie hidrouliese silinder sisteem • Double action hydraulic cylinders Dubbelaksie hidrouliese silinder sisteem • Hydraulic oil Hidrouliese olie <p>Three point coupling of a tractor: identification and working:Driepuntkoppelingsmeganisme of kragligtersisteam van 'n trekker: identifikasie en werking:</p> <ul style="list-style-type: none"> • Lifting arms Opligarms • Sensitivity element Gevoeligheidselement • Top link Boonste stang • Levelling box Nivileerkas • Power take off shaft (PTO) Kragaftakas/Kragafnemer-as (PTO) • Tow bar Trekstang <p>Mass displacement and pulling force of a tractor: factors influencing the mass displacement of a tractor positively or negatively.Massaverplasing tussen trekker en werktuig: faktore wat die massaverplasing op die trekker se wiele positief of negatief kan beïnvloed.</p> <p>Drive systems: identification and application:Aandryfstelsels: Identifisering en toepassing:</p> <ul style="list-style-type: none"> • V-belts V-bande • Flat belts Platbande • Pulleys Katrolle • Chains Kettinge
---------	---	---



	<p>Tools and equipment Gereedskap en toerusting</p>	<p>Components of the drive system of a vehicle : Identification, description and purpose: Komponente van die aandryfstelsel van 'n voertuig: Identifikasie, beskrywing en doel:</p> <ul style="list-style-type: none"> • Gearbox and types of gears Ratkas en tipes ratte • Clutch Koppelaar • Differential Ewenaar • Final drive Finale aandrywing • Diff lock Ewenaarslot • Wheel hub lock 4x4 Voorwielsluiting 4x4 • Universal joints Kruiskoppelings • Grease nipples Ghriesnippels • Bearings Laers <p>Economics associated with tractors, equipment and tools: Ekonomie aspekte wat verband hou met trekkers, toerusting en gereedskap:</p> <ul style="list-style-type: none"> • Tractor expenses Trekker uitgawes • Buying versus leasing of tractors/ equipment Koop versus verhuring van trekkers / toerusting • Choice of a tractor Keuse van 'n trekker • Standardization Standaardisering • Mechanization Meganisasie <p>Pneumatic and hydraulic tools: Identification Pneumatiese en hidrouliese gereedskap: Identifisering</p> <ul style="list-style-type: none"> • Compressor Kompresor • Hydraulic press Hidrouliese pers • Air wrench Pneumatiese wring-moersleutel • Hydraulic jack Hidrouliese domkrag • Spray paint gun Spuitverftoerusting
6-7 6-7	<p>Irrigation and water supply Besproeiing en watervoorsiening</p>	<p>Overhead irrigation systems as listed below (Macro irrigation systems application, working, construction, parts, components and accessories, maintenance and care, fault finding, problem solving): Oorhoofse besproeiingstelsels soos hieronder gelys (Makro besproeiingstelsels, aanwending, werking, konstruksie, onderdele, komponente en toebehore, instandhouding en versorging, foutopspring, probleemoplossing):</p> <ul style="list-style-type: none"> • Centre pivot irrigation system Spilpuntbesproeiingssisteem • Travelling sprinkler gun or hose reel irrigation machine Kanon of slangtol besproeiingsmasjien • Lateral move (side roll, wheel line) irrigation Laterale skuif (kantrol, wiellyn) besproeiing • "Hand move" Portable sprinklers system "Hand verskuifbare sprinkelbesproeiingspype" Draagbare besproeiingstelsel



8-10 8-10	Mid-year examination Halfjaareksamen	Learners must write an examination paper not shorter than 200 marks at the end of this term. Leerlinge moet aan die einde van hierdie kwartaal 'n vraestel van nie korter as 200 punte skryf. Time allocation – 3 hours. Tydsduur - 3 ure.
Formal Assessment Term 2 Formele assessering Kwartaal 2 Mid-year examination – 75% Halfjaareksamen - 75% Practical task 1 – 25% Praktiese Taak 1 - 25%		<p>Examples of practical tasks : teacher can also use his or her own examples: Voorbeelde van praktiesetake: Onderwyser kan ook gebruik maak van sy of haar eie voorbeelde:</p> <ul style="list-style-type: none"> • Do hard facing welding on a worn component of a plough; Doen oppervlakverhardingswerk op 'n verweerde onderdeel van 'n ploeg; • Repair a cast iron part by welding it; Herstel 'n gietyster onderdeel deur sweiswerk; • Do maintenance on an electric fence; Doen onderhoud op 'n elektriese heining; • Set up a small scale solar panel system on the farm; and Installeer 'n kleinskaal sonpaneelstelsel vir die plaas, of • Calibrate a centre pivot irrigation system. Kalibreer 'n spilpuntbesproeiingstelsel.



3.11 Graad 12 Kwartaal 3

WeekWeek 4 hours 4 ure	TopicOnderwerp	ContentInhoud
1 1	PATPAT	PAT must be finished in this term.PAT moet voltooi word in hierdie kwartaal. Marks must be awarded according to the guidelines provided for the final product. Punte moet toegeken word volgens die riglyne vir die finale produk.
1 1	Practical Task 2Praktiese Taak 2	Teacher must do one practical task with the learners during this term.Onderwyser moet tydens hierdie kwartaal 'n praktiese taak met die leerdere doen.
2-4 2-4	Irrigation and water supplyBesproeiing en watervoorsiening	<p>Irrigation scheduling:Besproeiingskedulering:</p> <ul style="list-style-type: none"> • Reason Rede • Method Metode <p>Water content measuring techniques and devices used in conjunction with effective water scheduling:Grondvog metingstegnieke en toerusting wat gebruik word in samewerking met 'n doeltreffende waterskedulering:</p> <ul style="list-style-type: none"> • Grondwater potensiaal • Water contentGrondvog inhoud <p>Waste water removal: (Septic tank): Verwydering van afvalwater: (septiese tenk):</p> <ul style="list-style-type: none"> • Working Werking • Design Ontwerp • Components Komponente • Maintenance Onderhoud • Treatment Behandeling <p>Different types of drainage systems used to get rid of excess water around farm buildings:Verskillende tipes dreineringsstelsels gebruik om ontslae te raak van oortollige water rondom plaas gebou:</p> <ul style="list-style-type: none"> • Franse dreinering (French) • Channel drains Kanaal dreinering • Downspouts Geute • Slope drains Helling dreinering • Drainage ditches Dreineringslote <p>Water purification/softening and filtration systems. Water suiwing / versagting en filtreerstelsels. Identification. Identifikasie.</p>



5 5	CommunicationKommunikasie	<p>Introduction to agricultural related computer control programs:Inleiding tot landbou- verwante rekenaarbeheer programme:</p> <ul style="list-style-type: none"> • Irrigation control systems Besproeiingbeheerstelsels • Computers controlling and monitoring engines, implements and equipment Rekenaarbeheer en monitering van enjins, implemente en toerusting <p>Computer technology information: Rekenaarinligtingstegnologie:</p> <ul style="list-style-type: none"> • GPS GPS • CIS GIS • VRT remote sensing VRT afstandswaarneming <p>Different types of communication systems: Verskillende tipes kommunikasiestelsels:</p> <ul style="list-style-type: none"> • Two way radios Tweerigting radios • Telephones Telefone • Internet Internet • Cell phones Selfone <p>Sources for knowledge, skills and information: Bronne vir kennis, vaardighede en inligting:</p> <ul style="list-style-type: none"> • Exhibitions Uitstallings • Seminars Seminare • Agricultural unions Landbou-unies • Discussion groups Besprekingsgroepe
6 6	DrawingsTekeninge	<p>Interpret building plansInterpreteer bouplanne</p> <ul style="list-style-type: none"> • Produce freehand design drawings of structures, buildings or implementsProduseer vryhand ontwerp tekeninge van strukture, geboue of implemente • Introduce learners to basic software programs for designing buildings, structures or machine partsStel leerders bekend aan basiese sagteware programme vir die ontwerp van geboue, strukture of dele van onderdele(This will not be examined) (Dit sal nie geëksamineer word nie)
6 6	Measurements, calculations and calibrationsMetings, berekeninge en kalibrasies	<p>Refer to PAT and simulations. Verwys na PAT en simulasies.</p> <ul style="list-style-type: none"> • Problem solving in data collectedProbleme op te los op grond van data ingesamel • Use data, collected from measurements and cost calculations in purpose made fabricationsGebruik data, wat versamel is van afmetings en koste-berekeninge in doelgerigte fabrikasies • Effective use of tools, equipment and implements due to correct measurements, calibrations and adjustmentsEffektiewe gebruik van gereedskap, toerusting en implemente te danke aan die korrekte afmetings, kalibrasies en verstellings



7-10 7-10	Preparatory examination Vorbereidende Eksamen	The examination paper will be 200 marks and the time allocation is 3 hours. Die vraestel sal 200 punte tel en die tydsduur is 3 ure.
Formal assessment Term 3 Formele assessering kwartaal 3 Preparatory examination – 75% Vorbereidende eksamen 75% Practical task 2 – 25% Praktiese taak 2 - 25%		Examples of practical tasks : teacher can also use his or her own examples: Voorbeelde van praktiese taak: Onderwyser kan ook gebruik maak van sy of haar eie voorbeelde: <ul style="list-style-type: none"> Do hard facing welding on a worn component of a plough; Doen oppervlakverhardingswerk op 'n verweerde onderdeel van 'n ploeg; Repair a cast iron part by welding it; Herstel 'n gietyster onderdeel deur sweiswerk; Do maintenance on an electric fence; Doen onderhoud op 'n elektriese heining; Set up a small scale solar panel system on the farm; and Installeer 'n kleinskaal sonpaneelstelsel vir die plaas, of Calibrate a centre pivot irrigation system. Kalibreer 'n spilpuntbesproeiingstelsel.
3.12 Grade 12 Term 4 3.12 Graad 12 Kwartaal 4		
Week Week (4 hours/4 ure week)	Topic Onderwerp	Content Inhoud
1 1- 10	Hersiening	Revision Einde van die jaar eksamen
Formal assessment Term 4 Formele assessering Kwartaal 4 Promoveringspunt		Learners will write an external set paper of 200 marks and it will be marked externally. Leerders sal 'n eksterne opgestelde vraestel van 200 punte skryf en dit sal eksterne geassesseer word. Time allocation is 3 hours. Tydsduur is 3 ure.
PAT – 25% PAT - 25% Design – 25% Ontwerp - 25% Construction process – 50% Konstruksie-proses - 50% Final product – 25% Finale produk - 25%		SBASBA Term 1 – 100 Kwartaal 1-100 Term 2 – 100 Kwartaal 2-100 Term 3 – 100 Kwartaal 3-100 Total 300 ÷ 12 = 25 Totaal 300 ÷ 12 = 25 PATPAT Design – 25 Ontwerp - 25 Construction process – 50 Konstruksie-proses - 50 Final Product – 25 Finale produk - 25 Total 100 ÷ 4 = 25 Totaal 100 ÷ 4 = 25 Examination Eksamen Total 200 ÷ 4 = 50 Totaal 200 ÷ 4 = 50
		Final mark: 100 Finale punt: 100



HOOFSTUK 1

VEILIGHEID

1. Veiligheidsgehare

'n Veiligheidsrisiko is enigiets wat 'n fisiese besering, soos 'n sny of breuk kan veroorsaak.

'n Risikobeheer sisteem

Die volgende **DRIE** stappe is 'n praktiese en doeltreffende manier van die beheer van gehare. Dit kan werk vir 'n "formele" of "informele" inspeksie

Die stappe is:

- Soek van bekende en potensiële werksplekgehare
- Ontleding of die identifisering van die risiko van hierdie gehare, en
- Veranderinge maak wat die gevaar sal elimineer of beheer

Stap 1: Raaksien van die gevaar

'n Gevaar is 'n situasie, aktiwiteit, proses, toerusting of dier wat 'n besering aan iemand kan toedien. Soek van gehare fokus op alle plaaswerkerstake, toerusting en middels. Wanneer gehare geidentifiseer word, gebruik:

- Gesonde verstand
- Inligting van ongelukke uit die verlede, amper ongelukke en ander ervarings
- Inligting van jou familie, werknemers, bure
- Produk literatuur en inligting van die verskaffers.

Stap 2: Ontleed die risiko

Volgende, bepaal die risiko van besering vir die gevaar wat jy raakgesien het. Die risiko van besering is die kans (of waarskynlikheid) dat die gevaar 'n besering aan iemand sal veroorsaak.

Risiko-bepaling hang hoofsaaklik van twee faktore af:

- Die moontlikheid van 'n insident - Is dit waarskynlik of onwaarskynlik om te gebeur?
- Die erns van die insident - Kan dit dood, ernstige besering, of minder ernstige besering veroorsaak?

Om die risiko van 'n gevaar om iemand te beseer te evalueer, vra ons vrae soos:

- Hoeveel mense kom in kontak met die gevaar?
- Hoe dikwels?
- Hoe ernstig kan iemand beseer word?
- Hoe vinnig kan 'n gevaarlike situasie ontstaan as iets verkeerd loop?
- Dit sal jou help om te besluit watter gehare moet onmiddellike aandag geniet. Ook, kan jy hierdie inligting gebruik om te help om te besluit wat om te inspekteer, wanneer om die inspeksie uit te voer en hoe dikwels.
- Die risiko is ook afhanklik van faktore soos die fisiese en geestelike vermoëns van die individu (bv. jong operateur), die weer en terrein (bv. modder op 'n nat pad), en hoe om die toerusting gebruik word (bv. werk op ongelyke of heuwelagtige terrein).
- Kyk elke dag uit vir gehare.
- Moet nie gehare wat lae-risiko's inhou verontagsaam nie. Hulle kan ook noodlottige gevolge inhou.



Stap 3: Maak die Verandering

Daar is verskeie maniere om 'n gevaar te beheer. Kies die weg wat redelik en prakties is vir die omstandighede waarin jy jou bevind.

1. **Elimineer gevare** van toerusting, diere en die omgewing, indien moontlik. Jy kan, byvoorbeeld, ontslae raak van 'n foutiewe masjien, verkoop 'n bul wat moeilik is om te hanteer, sit heuwelagtige terrein om in weivelde eerder as om dit te bewerk.
2. **Kies iets veiliger** bv. die gebruik van 'n ander masjien, materiaal of praktyk wat minder risiko inhou maar dieselfde taak verrig. Byvoorbeeld, jy kan 'n veiliger chemiese plaasvervanger vir 'n gevaarlike chemiese stof kies of altyd die veiligste trekker, in steil terrein, te gebruik om die risiko van 'n rol/omslaan te verminder.
3. **Gebruik ingenieurs / ontwerp meganismes** wanneer dit nie moontlik is om die gevare uit te skakel of vervang met veiliger materiale of masjinerie. Kragaftakas en awegaar skerms, rolbeskermende strukture en remslotte is goeie voorbeelde van die blokbeheer meganismes wat op plase gebruik word. Ontwerpbeheermeganismes wat die werker / familie isoleer van die gevaar, insluitende Kinderslotte op plaagdoderskure, omhein veilige speelareas weg van die onmiddellike werksomgewing en die oprigting van graan silos weg van oorhoofse kraglyne.
4. **Beskerm die werkers** indien ander beheermaatreels onvoldoende is. Beskerm werkers deur middel van opleiding, toesig, en persoonlike beskermende toerusting (PBT). Byvoorbeeld, jy moet toesig hou oor nuwe werkers totdat jy seker is dat hulle bevoeg is om gevaarlike situasies te hanteer. Gebruik en verskaf behoorlike klere en maskers vir die hantering van gevaarlike chemikalieë of "biohazards". Maak seker iemand by die werksplek is opgelei om noodhulp gee.



3. Plaas Veiligheid Regulasies volgens die Wet op BGV.

<p>3.1 Tractor 3.1 Tekker</p> <ul style="list-style-type: none"> Rollover protective structure used and seat structure must be used and seatbelts installed and installed properly. All shields and guards (eg, PTO) installed properly. Alle skerms (bv. Kragaftakas skerms) geïnstalleer Proper hitching attachments (ie, draw bar) must be used properly (dws, trekstang en veiligheidsketting) Hearing protection available (tractor cab or Oor beskerming beskikbaar (trekkerkajuit of oorbeskerming) <p>3.2 Vehicles, Tools, Machinery, etc. 3.2 Voertuie, gereedskap, masjinerie, ens</p> <ul style="list-style-type: none"> Tools, machinery, equipment maintained in good condition. Gereedskap, masjinerie, toerusting in stand gehou Vehicles maintained in good condition. Voertuie in stand gehou Lockout mechanism available. Uitsluit meganismes beskikbaar All shields and guards installed. Alle skerms geïnstalleer Hearing protection available. Oor beskerming beskikbaar Hydraulic hoses in good repair. Hidrouliese pype in 'n goeie toestand All warning decals and engine shut-off switches visible. Alle waarskuwingsplakkers en enjin afsluit instruksies sigbaar Ligte en ruitveërs werk "Stadig bewegende voertuig" waarskuwingsteken aangeheg Remme in 'n goeie werkende toestand Battery in 'n goeie toestand Operateur se platform skoon van afval Sigbaarheid duidelik Brandblusser op masjiene <p>instructions visible. Fire extinguisher on machines. 3.3 Fire Protection 3.3 Vuurbeskerming</p> <ul style="list-style-type: none"> Isolate all sources of ignition. Soleer alle bronne van ontsteking Extinguishers (full) in hazardous areas. Brandblussers (vol) in gevaarlike gebiede 	<p>3.5 Chemical Hazard & Biohazard Protection 3.5 Chemiese & Biogevaar beskerming</p> <ul style="list-style-type: none"> Chemicals stored safely and properly labeled. Chemikalieë veilig bewaar en geleë behoorlik gemerk Biohazards identified and dealt with safely. Bio-gevaare geïdentifiseer en met veiligheid gehanteer with safely Waarskuwingstekens opgesit Proper Personal Protective Equipment (PPE) available, such as eyewear and protective clothing, in good condition. Behoorlike persoonlike beskermende toerusting (PBT) beskikbaar, soos bril en beskermende klere, in 'n goeie toestand Noodnommers sigbaar teen muur. Emergency numbers posted <p>3.6 Other Emergency Preparation 3.6 Ander Noodgevalvoorbereiding</p> <ul style="list-style-type: none"> Emergency plan posted. Noodplan sigbaar geplaas Emergency numbers posted. Noodnommers sigbaar geplaas First aid supplies for all workplaces. Noodhulpvoorrade vir alle werkplekke <p>3.7 Farm Buildings 3.7 Plaasgeboue</p> <ul style="list-style-type: none"> Fire exits clear. Vuur-uitgange Aisles, stairs, ladders and floors Gange, trappe, lere en vloere uncluttered and in good repair. Onbelemmerd en in 'n goeie toestand. Light and ventilation adequate Lig en ventilasie voldoende. Buildings free of hazardous materials Geboue vry van gevaarlike stowwe. Hazardous ladders/openings/ Gevaarlike lere / openinge / protrusions guarded. Uitsteeksels afgeskerm. Toilet/waste disposal facilities
---	--



<ul style="list-style-type: none"> • No smoking signs in hazardous areas“Nie-rook” tekens in gevaarlike gebiede • Exits clearly marked in hazardous areasUitgange duidelik gemerk in gevaarlike gebiede • Proper electrical installationBehoorlike elektriese installasie • Flammable materials stored safelyVlambare materiale veilig gestoor • Fire emergency numbers listed near telephoneVuur noodnommers gelys naby telefoon • Emergency fire plan postedNood vuurplan opgesit teen muur <p>3.4Orientation and Training3.4Orientasie en Opleiding</p> <ul style="list-style-type: none"> • Workers trained in safety work proceduresWerkers opgelei in veilige werkprosedures • Workers receive adequate supervisionWerkers ontvang voldoende toesig • Workers trained in proper lifting, moving andWerkers opgelei in behoorlike optel, beweeg en repositioning herposisionering 	<ul style="list-style-type: none"> • Toilet / afval verwyderings fasiliteite adequate voldoendeElectrical fixtures suitable • Elektriese koppel-punte geskik <p>3.8Farm Yard3.8Plaaswerf</p> <ul style="list-style-type: none"> • Assigned play area for childrenGeallokeerde speelplek vir kinders away from work areas weg van werk areaProtection from enclosed • Die beskerming van die gevaarlike spaces such as cisterns, wells,ruimtes soos bakke, putte, manure pits, feed silosmiskuipe, voersilo's Protection from dugouts • Die beskerming van uitgrawings • Graansilos geleë weg van electrical hazards elektriese gevare Identify and post all overhead • Identifiseer en plaas gevaartekens waar hoë equipment (eg, grain augers) is used toerusting (bv., graan mengers) naby oorhoofse power lines where high kraglyne gebruikGrain bins located away from word <p>3.9Work Environment3.9Werksomgewing</p> <ul style="list-style-type: none"> • Adequate lighting and ventilationVoldoende beligting en ventilasiefor the work tasks vir die werkstake • Protection from extremes of temperatureBeskerming teen uiterste temperature
---	---

4. Gesondheidsgefare

Dink aan 'n gesondheidsgevaar as enige agent, situasie of toestand wat 'n beroeps-siekte kan veroorsaak. Daar is vyf tipes (kyk vir elke tipe tydens inspeksies):

- 4.1 **Chemiese gevare**, soos batterysuur, oplosmiddels en plaagdoders
- 4.2 **Biologiese gevare**, soos bakterieë, virusse, stof, en muf. Biologiese gevare is dikwels genoem “bio-gefare” (bv. dieresiektes, gemufde hooi, tetanus)
- 4.3 **Fisiese agente** (energie) wat sterk genoeg is om skade te berokken, soos elektriese krag, hitte, lig, vibrasie, geraas, en bestraling
- 4.4 **Werk ontwerp (ergonomiese) gevare**, soos die optel, beweeg of verskuiwing van swaar vragte
- 4.5 **Stres in die werkplek**, soos stres wat verband hou met werk skofte, werkklading en teistering

5. Trekkerveiligheid

5.1 Rol/omslaan word dikwels veroorsaak deur:

- draai teen 'n hoë spoed
- afry van die skouer van paaie
- werk op 'n steil sloot, heuwel of donga
- dra van vragte te hoog op die voorlaaigraaf
- aankoppeling te hoog waar swaar vragte getrek word
- sleep vragte te vinnig teen afdraande en / of sonder voldoende remme afgly vanaf laai opritte



5.2 Kragftakas ongelukke te voorkom:

- stop die kragftakas voor afklim
- verseker dat die veiligheidskerms in plek is voor werk begin
- vervang gekraakte of gebrekkige veiligheidsskerms onmiddellik
- hou klere, hare en alle liggaamsdele weg van 'n roterende kragftakaste
- moet nooit stap oor 'n roterende kragftakas trap nie – loop om dit of skakel toerusting af
- hou kruiskoppelings in fase - raadpleeg operateur se handleiding
- gebruik altyd die aandryf of kragftakas soos aanbeveel vir jou masjien. Moet nooit die aandryf of kragftakas van een masjien op die van 'n ander model masjien gebruik nie
- posisioneer die trekker se trekstang behoorlik

5.3 Onbehoorlike koppeling van 'n implement aan 'n trekker kan dodelik wees. Voorkoming van 'n ongeluk:

- maak seker dat geen een agter die trekker is nie
- tru-rat stadig terug na die implement
- gebruik die noodrem
- sit die ratkas in neutraal
- klim af en haak

5.4 Vervoer trekkers veilig

5.4.1 Verkeersreëls moet gevolg word tydens die vervoer van trekkers of masjinerie op openbare paaië.

- sluit rempedale saam
- ry met ligte en flikkers aan
- vertoon 'n stadig-bewegende voertuig teken

5.4.2 Tydens die vervoer van trekkers:

- kyk uit vir verkeersgevaare
- weet toerusting hoogtevereistes
- weet wat is die grootte en gewig van die toerusting

5.5 Tractor Hazard gevaar Spot the Hazard Sien van die gevaar	5.5 Trekker gevaar Spot the Hazard Sien van die gevaar	Assess the Risk Asseser die risiko	Make the Change Maak die Verandering
Extra riders on machinery Ekstra persoon/ ryer op masjinerie		Serious injury or death from falling off and being run over or otherwise injured Ernstige besering of dood wanneer persoon afval en oor gery word	No extra riders Geen ekstra ryers
Bystanders near machinery Omstanders naby masjinerie		Serious injury or death from running over or pinning bystander Ernstige besering of dood wanneer omstander raakgery of vasgepen word	Install mirrors, improve sight lines, stop look and listen, keep children and spectators away from work area, check area before starting, install backup beeper Installeer spieëls, verbeter siglyne, stop, kyk en luister, hou kinders en toeskouers weg van die werkarea, bekijk area voor die werk aanvang, installeer agteruitlet alarm



Equipment in poor condition, jump starting Toerusting in 'n swak toestand, spring begin/jump start	Serious injury or death from run over after jump starting, from crushing injury caused by faulty hydraulics Ernstige besering, dood of vergruising van omry na 'n spring begin/jump start veroorsaak deur foutiewe hidrolieka	Do regular maintenance, always do a pre-operational safety check. Doen gereelde onderhoud, altyd 'n pre-operasionele veiligheidsnagaan. No jump starting Geen spring begin
High/poor hitching Hoë / swak aankoppeling	Serious injury or death from backwards rollover, rollover caused by a too heavy load for the tractor, going in the ditch, runaway loads Ernstige besering of dood van agteroorval/rol, veroorsaak deur 'n te swaar las vir die trekker, rol in 'n sloot, weghol vragte	Never hitch above drawbar, use proper drawpin/clevis, extra weight for tractor front end, use engine for braking when going downhill with heavy load Moet nooit bo trekstang aanhaak, gebruik behoorlike trekpen / kram, ekstra gewig vir trekkervoorkant, gebruik enjin vir rem wanneer swaar vrag teen afdraande gerem moet word
Front end loader improper, too large or too high Voorlaaier onbehoorlik, te groot of te hoog	Serious injury or death from large hay bale that can topple onto driver or bystander. Ernstige besering of dood van 'n groot hooi baal wat kan afval op bestuurder of omstander. Excess weight can cause rollover, particularly in uneven terrain; high bucket can result in contact with power lines Oortollige gewig kan omval veroorsaak, veral in ongelyke terrein, hoë laaigraafemmer kan lei tot kontak met kraglyne	Ensure proper sized bucket for size of tractor, don't use manure bucket for moving large bales, use restraining devices or tines, drive with bucket low to the ground Verseker korrekte grootte emmer vir die grootte van die trekker. Moenie misemmer gebruik vir die verskuiwing van groot bale, gebruik beperkingstoestelle of tande, ry met die emmer laag op die grond
Unguarded PTO Onbeskernde kragaftakas	Serious injury or death from step over of PTO, starting of PTO, being entangled while performing repairs Ernstige besering of dood kan veroorsaak word as n persoon vasgevang word aan 'n kragaftakas terwyl versiening of herstelwerk gedoen word.	Avoid PTO, use tight clothing, tie shoes, keep children from work area, disengage PTO where possible Vermyn kragaftakaste, dra stywe klere, maak skoenveters vas, hou kinders weg van die werkarea, ontkoppel kragaftakas waar moontlik
Ignition of fuel Ontsteking van brandstof	Death or injury from unanticipated combustion Dood of besering van onverwagte verbranding	Don't spill fuel on a hot engine, don't smoke near ignitable materials, don't refuel inside a building, keep children from work area, have fire extinguishers handy Moet nie brandstof op 'n warm enjin mors nie, moet nie rook naby ontsteekbare materiaal nie, moet nie brandstof herful binne 'n gebou nie, hou kinders van die werkarea weg, hou brandblussers byderhand

6. GERAASBESOEDELING

6.1 Werk in 'n raserige omgewing kan jou gehoor vernietig. Geraas kan ook:

- jou werkvermoë verminder
- jou risiko om 'n ongeluk te maak verhoog
- stres en moegheid verhoog

6.2 Geraas geïnduseerde gehoorverlies is voorkombaar.

- Beskerm jou gesin se gehoor deur die vermindering of beheer van geraas by die bron.
- By die aankoop van toerusting, oorweeg die langtermyn voordele van die verkryging van die stilste geskikte toerusting.
- Maak seker dat die kajuite van jou toerusting goed gevoering is met klank-isolerende materiaal.
- Verminder vibrasie in toerusting deur die gebruik van rubbermonterings.
- Onderhou uitlaatstelsels goed.
- Gebruik dempers of knaldempers op motors, lugpype, en ander toerusting.
- Elimineer direkte kontak tussen metaal-tot-metaal oppervlaktes.



- Lei uitlaatgeraas na afgeleë plekke.
- Gebruik afskuttings, vibrasie isolators en / of klank-absorberende materiaal.
- Hou die radio of stereo volume in die kajuit teen 'n redelike vlak.

6.3 Dit is te raserig As:

- iemand 'n meter weg van jou af staan en hard moet praat of selfs moet skree om gehoor te word
- jy hoor 'n "lui" of "gons" in jou ore, nadat jy in 'n lawaaierige omgewing was
- jou gehoor blyk beter te wees aan die begin van die dag as aan die einde.



HOOFSTUK 2

MATERIALE EN STRUKTURE

METAALLEGERINGS

VLEKVRYE STAAL

1. Noem die invloede wat die volgende legeerelemente op vlekvrystaal het.

Chroom

- Verhoog weerstand teen roes
- Bevorder die verharding van staal
- Verbeter sterkte
- Verbeter weerstand teen die vorming van skaal
- Verbeter treksterkte
- Verminder magnetisme
- Die meeste chroomstaal kan goed gesweis word.

Mangaan

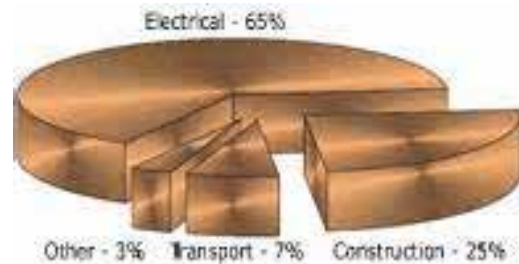
- Dit bekamp roes
- Gee staal 'n growwer struktuur
- Verander die bandstruktuur, en op dieselfde tyd veroorsaak dit 'n vermindering in slaansterkte
- Verhoog treksterkte
- Verminder die kritieke verkoelingstempo en daardeur verhoog verharding
- Verhoog weerstand teen slytasie
- Verminder magnetisme.

Nikkel

- Dit verhoog die taatheid en die verharding vermoë
- Een van nikkel se grootste voordele is dat dit staal 'n redelike taatheid by lae temperature gee
- As nikkel saam met chroom gebruik word help dit om die verhardingvermoë van staal te verhoog, veel meer as wanneer slegs een van die elemente op sy eie gebruik word
- Staal geleger met chroom en nikkel is bestand teen lug, water en baie chemiese sure en alkali



2.Koper (Cu)



Koper word gebruik in die alledaagse voorwerpe rondom ons huise, insluitende selfone, waterpype, slotte en elektriese bedrading.

In die geskiedenis

Mense gebruik al koper sedert 9000 vC. Een van die redes waarom koper so belangrik is, is dat dit gebruik kan word in legerings. Dit beteken dat dit gekombineer kan word met ander metale om nuwe legerings te maak, soos geelkoper en brons. Dit is harder, sterker en meer bestand teen korrosie as suiwer koper.

Vir sy eienskappe

Koper is 'n uitstekende geleier van elektrisiteit en hitte, dit is 'n sterk, taai en maklik gelas met soldering of sweissoldering, en dit is higiënies, maklik om te allooï en weerstaan roes.

3.GEELKOPER/BRASS (Cu₃Zn₂)

Brass is 'n botteragtige geel legering van sink en koper wat vir duisende jare in baie dele van die wêreld vervaardig is. Die gebruike wissel na gelang van die persentasie van sink en koper en ander metale wat bygevoeg is om mee te allooï om spesifieke eienskappe te verskaf, dit sluit in:

Basiese geelkoper/brass het ongeveer 67% koper en 33% sink, wat dit sterker en meer duursaam as koper maak, maar nie so sterk soos staal nie. Allooï met selfs minder sink begin om te draai na rooi in kleur, en is soms genoem rooi koper.

Geelkoper/brass is gewoonlik die eerste keuse materiaal vir baie van die komponente vir toerusting wat in die, elektriese en presisie ingenieurswese nywerhede gebruik word. Geelkoper word voorgeskryf as gevolg van die unieke kombinasie van eienskappe, ge-ewenaar deur geen ander materiaal, wat maak dat dit onontbeerlik is waar n lang, koste-effektiewe, diens vereis word.

Die generiese term "geelkoper/brass" dek 'n wye verskeidenheid van koper-sink legerings met verskillende kombinasies van **eienskappe**, insluitend:

- Sterkte
- Masjineerbaarheid
- Rekbaarheid
- Slytasiebestand
- Hardheid



- Kleur
- Geleidingsvermoë (elektriese en termiese)
- Korrosiebestandheid
- Antimikrobies
- Geelkoper/brass kan maklik gegiet word in n vorm of vervaardiging deur extrusie, rol, trek, warm stamp en koue vorm.
- Die bewerkbaarheid van geelkoper stel die standaard waardeur ander materiale beoordeel word.
- Geelkoper/brass is ideaal vir 'n baie wye verskeidenheid van toepassings
- Geelkoper/Brass is dikwels die goedkoopste materiaal om te kies.
- Die korrekte keuse van koper is belangrik as vervaardiging en operasionele vereistes nagekom moet word teen die mees koste-effektiewe manier.

Om elke behoefte te pas, is daar meer as sestig standaard samestellings vir koper met 'n koperinhoud wat wissel van 58% tot 95%. Afgesien van die groot legeringselement, sink, word klein byvoegings (minder as 5%) van ander legeringselemente gemaak om die eienskappe te verander sodat die gevolglike materiaal vir 'n gegewe doel geskik is.

Sommige algemene gebruike vir geelkoper/brass

Musiekinstrumente, Klinknaels, Beweging sensors, Terminale, Skroewe, Brandstof inspuiters, Kabel-lasse, Marinetoehore, Loodgieterstoehore, Gastoebehore, Pneumatiese toehore, Badkamerhardeware, Balanseergewigte, Kleppe, Vonkbestande mynbou-komponente, Motorkomponente, Kabelkonnektors, Elektriesekomponente, Loodgieters hardeware, Gesinkroniseerde ratte Spoumuur bande, Mynbou-toerusting, Patroondoppe vir wapens, Pype, en Huishoudelike ornamente



Uitgloeing (volle)

Om die meeste geelkoper ten volle te versag, verhit tussen 500-550 ° C vir 1/2 uur tot 1uur, dan óf lugkoel of, blus of vinnige oond afkoel.



Stres te verlig

Ten einde interne spanning te verlig sonder verlies van eienskappe 'n lae-temperatuur uitgloeïing van 1/2 tot 1 uur by 250-300 ° C moet gebruik word, afhangende van artikel grootte.

Temper uitgloeïing

Baie geelkoper/brass wat koud gewerk is om hard te temper kan deels versag word om intermediêre tempers te produseer deur noukeurig beheerde hitte behandeling. Tyd en temperature moet mee geeksperimenteer word, beginnende vanaf, sê, 1/2 uur by 400 ° C en verandering van tyd en / of die gewenste temperatuur om gewenste temper te bereik. Resultate word gemonitor deur die meting van hardheid, korrelgrootte, rigting of ander relevante eienskappe.

Las van geelkoper

Soldeer

Soldering word maklik uitgevoer met behulp van enige van die hoof / tin of lood vrye soldeersels EN 29453, en óf 'n aktiewe of nie-aktiewe vloeimiddel. Skielike verhitting van die gespanne dele in kontak met gesmelte soldeersel kan lei tot krake van die materiaal as gevolg van inter- korrel soldeersel penetrasie. In sulke gevalle kan dele se spanning verlig word voor soldering. Na soldering is dit n goeie praktyk om enige vloeimiddel te verwyder ten einde die tendens wat vlekke of roes veroorsaak, te verminder.

Die loodvrye tin-gebaseerde soldeersels is gekies vir gebruik waar die teenwoordigheid van lood ongewens mag wees.

Sweissoldering

Al die geelkopers/brasses word maklik gelas met n sweissoldering legerings wat omhul is deur NL 1044. Wanneer 'n vloeimiddel gebruik word is dit waarskynlik dat roes veroorsaak kan word as dit toegelaat word om op die komponent te bly. Dit moet afgewas word so gou as moontlik. Dit is maklik as die komponent nog steeds warm is na sweissoldering, maar die koper moet nie direk verkoel, word na die sweissoldeer verhitting nie, aangesien blus-krake kan voorkom.

4.BRONS

Die verskil tussen brons en geelkoper/brass is:

Die verskil is dat die brons is hoofsaaklik koper plus tin (nie sink) in verskillende verhoudings, en geelkoper/brass is hoofsaaklik 'n koper-sink legering.



'n Brons bok van uit die 9e en 6e eeu VC

Brons is 'n allooï wat hoofsaaklik bestaan uit koper, gewoonlik met tin as die belangrikste byvoeging. Dit is hard en taai, en dit was so belangrik in die antieke tyd dat die Bronstydperk na die metaal vernoem is. Egter, Historiese stukke is dikwels gemaak wisselend van geelkoper (koper en sink), en brons met verskillende komposisies, so moderne museums en wetenskaplike beskrywings van die ouer voorwerpe is daar toenemend gebruik gemaak van die meer inklusiewe term " koper allooï ".

Die ontdekking van brons het mense in staat gestel om metaalvoorwerpe wat beter was as wat voorheen moontlik was te maak. Gereedskap, wapens, wapenrusting en verskeie boumateriaal, soos dekoratiewe teëls, gemaak van brons was harder en sterker as hulle klip en koper ("Kopertydperk") voorgangers.

Alhoewel brons oor die algemeen harder is as yster, het die Bronstydperk plek gemaak vir die Ystertydperk omdat yster



makliker was om te verkry en te verwerk tot 'n swak graad van metaal; hoewel dit tot n hoër graad verwerk kan word, vat dit aansienlik meer moeite en vaardigheid. Brons is nog steeds gebruik tydens die Ystertydperk. Byvoorbeeld, beampies in die Romeinse leër het brons swaarde gehad.

Eienskappe

- Brons is bestand teen roes (veral seewater roes)
- Weerstand teen metaal vermoeidheid (metal fatigue) meer as staal
- Beter geleier van hitte en elektrisiteit as die meeste staal.
- Hoë elektriese geleiding
- Lae-wrywing eienskappe van laë brons,
- Resonante eienskappe van Klok brons
- Weerstand teen seewater korrosie.

Gebruike



Bronsbeelde, Laers, Elektriese verbindings en Vere .

Veerbrons, Gebou restorasie, Kanonne, Elektriese motors. Fosforbrons is veral geskik vir presisie-graad laers en vere. Dit word ook gebruik in kitaar en klavier snare.

In teenstelling met staal, sal brons wat teen 'n harde oppervlak geslaan word nie vonke genereer nie. So dit (saam met berillium koper) word gebruik om hamers, sleutels en ander duursame gereedskap te maak wat gebruik word in plofbare situasies of in die teenwoordigheid van vlambare dampe.

Brons word gebruik om bronswol, vir houtwerkdooelindes te maak, waar staalwol sou verkleur.

Brons beelde, Brons musiekinstrumente, bronsmedaljes



5.TIN (Sn)



Ontdekking van Tin

Tin is bekend sedert antieke tye.

Die Bronstydperk begin in ongeveer 3000 vC en tin is gebruik in brons, wat ongeveer negentig persent koper en tien persent tin bevat.

Die byvoeging van tin by bronslegering verbeter hul eienskappe in vergelyking met suiwer koper, byvoorbeeld, brons is harder en word makliker gegiet as koper.

Die ou Grieke het hul tin deur die see-handel verkry en verwys na die bron as 'Die Cassiterides', wat beteken Tin Eilande.

Hierdie eilande was waarskynlik Groot-Brittanje en Spanje waar daar groot tin deposito's was.

Kenmerke:

Tin is 'n silwer-wit, sagte, smeebare metaal wat hoogs poleerbaar is.

Tin het 'n hoogs kristalagtige struktuur en wanneer 'n tinstaaaf gebuig word, kan 'n "tin uitroep" gehoor word, as gevolg van die breking van hierdie kristalle.

Dit bied weerstand teen suurstof en water maar los op in sure en basisse. Blootgestelde oppervlaktes vorm 'n oksiedfilm. Wanneer tin in die lug verhit word, vorm tin(IV) oksied (Tinoksied), wat flou suuragtig is.

Tin het twee allotropiese vorms by normale druk, grys tin en wit tin. Suiwer wit tin is geneig om stadig in 'n grys poeier (grys tin) te verander, 'n verandering wat algemeen 'n "tin plaag" by temperature onder 13,2 ° C. genoem word. Grys tin het geen metaaleienskappe nie. Kommersiële gehalte tin is bestand teen tin plaag as gevolg van die inhiberende effek van 'n klein hoeveelheid onsuiverhede.



Gebruike van Tin

Tin word gebruik as 'n laag op die oppervlak van ander metale om roes te voorkom. 'Tin' blikkies, byvoorbeeld, is gemaak van tin-bedekte staal.

Allooie van tin is kommersieel belangrik in, byvoorbeeld, sagte soldeersel, tin, koper en fosforbrons.

Tinchloried (SnCl_2) word gebruik as 'n bytstof in die kleur van tekstiele en vir die verhoging van die gewig van sy.

Tinkfloried (SnF_2) word in sommige tandepasta gebruik.



SINTETIESE MATERIALE

KLEEFMIDDELS

1. Noem die twee belangrikste aspekte wat in ag geneem moet word wanneer 'n kleefmiddel gekies word?

- Tipe materiaal wat gelas moet word.
- Kondisies/omstandighede waaronder hierdie las aangewend sal word.

2. Noem 'n paar tipes kleefmiddel.

- Epoksie.
- Silikon.
- Resorsinol.
- Lateks.
- PVA / PVC
- Koue lym
- "No more nails"



3. Noem die omstandighede waaronder 'n kleefmiddel gebruik kan word en beskryf elkeen kortliks.

a. Hittebestandheid (temperatuur)

- Die kleefmiddel self moet nie verwing, smelt of brand wanneer dit verhit word nie.
- Sommige soorte plastiek is uiters bestand teen hitte soos Bukaliet, en sommige is nie hittebestand soos Perspex, wat maklik van vorm verander wanneer dit verhit word.

b. Waterbestandheid

Wanneer 'n kleefmiddel in nat toestand gebruik word, moet 'n waterbestande kleefmiddel gebruik word om die las te maak.

c. Elastisiteit/Buigbaarheid

Sommige kleefmiddel word baie hard en bros wanneer hulle droog word. As ons elastiese materiaal wil las sal ons gebruik maak van 'n kleefmiddel, wat nog elasties is selfs nadat dit droog geword het. Bv. Bostik, Prestik.

d. Beladingskapasiteit

Die kleefmiddel moet in staat wees om massa of las te weerstaan.

e. Brandbestandheid/Ontvlambaarheid

Waar 'n kleefmiddel gebruik word om sintetiese materiale te las, waar dit onderwerp word aan oop vlamme of hitte, moet die kleefmiddel aan dieselfde eienskappe voldoen.

f. Bindingsduur.

Die tydperk wat 'n kleefmiddel sal hou nadat dit aangewend is.

g. Duur van die bruikbaarheid/kohesie

Tydsperk wat die gemengde kleefmiddel bruikbaar sal bly voordat dit set. Katalisator en die versneller kan 'n invloed hê op die tempo waarteen dit gebeur.

4. Beskryf die verskil tussen die kohesie- en adhesie eienskappe van 'n kleefmiddel.

Kohesie

Inherente sterkte van die kleefmiddel.

Adhesie

Vermoë van die molekules van 'n kleefmiddel om te klou aan die molekules van ander stowwe.

5. Wat kan jy aanbeveel om die bindingsvermoë/kohesie- eienskappe van 'n kleefmiddel te verbeter?

- Wend 'n dun basislaag aan indien die oppervlak baie poreus is.
- Wend slegs 'n dun laag van die kleefmiddel aan.
- Wend kleefmiddel aan beide oppervlaktes.
- Te dik laag van die kleefmiddel sal lei tot 'n swak las.

GLASVESEL

1. Wat is 'n hars?

Dit is lae viskositeit vloeistowwe wat in sterk buigbare vastestowwe verander kan word deur die byvoeging van 'n verhardingsmiddel.



2. Noem sewe voorsorgmaatreëls wat getref moet word wanneer met glasvesel gewerk word.

- Katalisator en versneller moet altyd apart gestoor word. (Ontploffing)
- Verwyder alle hars, katalisator en versneller van die vel.
- Dra handskoene as die vel sensitief is.
- Gebruik aseton in 'n goed geventileerde area.
- Hanteer gegote hars versigtig. Dit is bros en kan maklik breek.
- Glasveselmat het klein stukkie vesel wat die vel kan binnedring.
- Moet nie glasvesel inasem of in jou oë laat kom nie. Kan blindheid veroorsaak.

3. Hoekom moet die katalisator en versneller apart gestoor word?

Hulle kan 'n plobbare mengsel veroorsaak.

4. Wat word die verhardingsmiddel ook genoem?

Katalisator.

5. Noem tien eienskappe van glasvesel.

- Lig.
- Waterdig.
- Gelei nie elektrisiteit.
- Kan in enige vorm gevorm word.
- Maklik om te kleur.
- Kleur vinnig.
- Kan gesaag, geboor of gevyl word.
- Taaiheid.
- Bros wanneer geslaan.
- Maklik herstelbaar as dit breek.

6. Noem vyf voorbeelde van glasvesel produkte.

- Lampskerms.
- Vrugtebakke.
- Gholfstokke.
- Bote.
- Fietse.



VESCONITE

1. Wat is Vesconite?

Vesconite is 'n gespesialiseerde termoplastiese plastiek gemaak van intern gesmeerde polimere.



Eienskappe van Vesconite

- Vesconite is 'n uitsonderlike laër materiaal wat 'n lang lewe en 'n lae slytasie koefisient aan onderdele verleen. Selfs in vuil en ongeoliede/ongeghriede toestande Vesconite gee 'n lang lewe met lae onderhoud en 'n lae wrywing.
- Of droog of onder water, ongesmeer of gesmeer, 'n baie lae wrywingskoëffisiënt beteken Vesconite is ideaal vir baie mariene/seewater/water aanwendings. Water is 'n uitstekende smeermiddel vir Vesconite wat dit geskik maak vir beide droë en gedompelde aanwendings.
- Vesconite het baie voordele in vergelyking met elastomere, brons, fenoliese laminerings, rubber en nylon
- Onderwater of in vogtige toestande, sal Vesconite nie uitsit/swel, gryp of slyt soos nylon nie.
- Vesconite se interne smeermiddels maak dit geskik vir die boonste roermeganisme van bote waar daar lang tydperke tussen smeer of geen smeer is nie, of waar water smering nie verseker kan word wanneer werk met 'n ligte ballas gedoen word nie.
- Vesconite is uiters veelsydig en kombineer die voordele van metaal-en nie-metaal laers en busse en presteer in die meeste gewone laer aanwendings.
- Lang slytasie lewe Vesconite gee tot tien keer die dienslewe van fosforbrons in swak gesmeerde omstandighede.
- Vesconite hou sy afmetings - swel nie in water
Vir die meeste sintetiese materiaal is wateruitsetting 'n groot probleem en 'n oormatige speling word dikwels gebruik om te kompenseer. Groter spelings kan vibrasie verhoog en vinniger laer slytasie veroorsaak en sodoende 'n baie korter lewensduur.
- Vesconite is een van die mees dimensioneel stabiele sintetiese materiale wat beskikbaar is, omdat dit nie in water uitsit nie. Daarom kan Vesconite laers gemasjineer word met die korrekte speling sonder vrees van uitsetting/swelling.

Vesconite bly hard

Versagting veroorsaak deur vogtigheid of onderdampingstoestande het nadele vir tradisionele sintetiese draer materiale soos dié wat op elastomere en nylons gebaseer is, wat sag in water word en hul kompressiekrag verloor.

Vesconite delamineer nie

Delaminasie vind plaas wanneer vloeistof die laerlae binnedring en veroorsaak dat die lae afbreek of afskil. Delaminasie is 'n groot probleem in baie gelamineerde of saamgestelde materiale waar swelling in die gekraakte gedeeltes voorkom.

Vesconite het 'n lae wrywing

In vergelyking met die meeste elastomere, rubber, nylons en laminate, het Vesconite 'n lae statiese en dinamiese



wrywing wat in moeilike werksomgewing; of droog of nat, liggies of swaar gelaai, instand bly.

SOS: Red ons aste

Vesconite beveilig aste en voerings as gevolg van sy lae wrywing. Verminder slytasie en verhoog dienslewe limiet onderhoud of vroeë vervanging van duur komponente en verskaf sodoende finansiële besparing.

Vesconite verweer nie

Vesconite is nie onderhewig aan elektrolitiese korrosie, 'n groot probleem met die tradisionele metaal laër materiaal.

Maklike verwydering van Vesconite laërs

Aangesien daar geen elektrolitiese korrosie voorkom met Vesconite, beteken dit dat dit nie vasbrand soos metaal laers nie en dus maklik is om te verwyder.

Veiligheid en gesondheid

Vesconite bevat nie enige asbes, lood, gevaarlike vesel of stowwe nie, wat dit veilig maak om te masjineer en te hanteer.

Maklik om te masjineer

In vergelyking met metaalagtige, snylose, brons of sintetiese materiaal is Vesconite baie maklik en veilig om te masjineer op standaard metaal- of houtwerk masjinerie.

Vesconite in vergeleke met witmetaal

Vesconite het 'n hoër beladings limiet as witmetaal, 'n hoër metaalvermoeidheid krag en twee tot drie keer die slytasielewe.

Produkkreeks

Busse
Drukasters
Soliede stawe
Plate en slytasiebane

Aanwendings in Landbou, sluit in:

Trekkers

- Krinkspilbusse vir die meeste trekkefabrikate
- Busse vir rem- en koppelaarstelsels
- Stuurkoppelingbusse
- Vooras draaibusse
- Opligarmbusse
- Spilbusse

Planters

PNU Monosem planters slytasieplate.
Drukwiellbusse
Dryfas naaldlaers kan ook vervang word met Vesconite.

Stroppers

Veranderlike spoedkatrolbus

Windpompe

Vesconite is van besondere waarde in windpomp toepassings. Baie metaal op metaal dele, lei tot 'n hoë slytasie koefisient. Met Vesconite busse kan aan hierdie dele 'n langer lewe gegee word.

Besproeiing

Verskeie busse in die ratkaste van spilpunt- besproeiingstelsels.



Sleepwaens

Koppelpen/skommel en spilbusse vir gebruik op 'n hoë en 'n lae spoed landbou sleepwaens.

Waarom Vesconite gebruik?

- het 'n baie lae wrywingskoëffisiënt
- kan gebruik word in 'n droë of gesmeerde aanwending
- dimensioneel stabiel
- swel nie en brand nie vas aan aste
- versag nie of delamineer nie

Voordele van Vesconite

- maklik om te instaleer en te verwyder
- verweer nie en is nie-geleidend
- sal nie aste & voerings verweer soos die tradisionele laer materiaal nie
- weerstand teen 'n wye verskeidenheid van chemikalieë

TEFLON

Beskrywing van Teflon

- Een van die mees veelsydigste en bekendste produkte van chemiese ingenieurswese, Teflon, is toevallig ontdek.
- Uitvindings het chemikalieë bymekaargegooi en per ongeluk 'n waardevolle produk soos Teflon ontdek.

Teflon is 'n polietetrafloroteen (PTFE).

- Teflon is die plastiek met die laagste wrywingskoëffisiënt.
- Dit word ook gebruik as 'n nie-klewende deklaag vir panne en ander kookware.
- Teflon is baie onreaktief, en word dikwels gebruik in houers en pype vir reaktiewe chemikalieë. Die smeltpunt is 327 ° C.
- Teflon word soms gesê is 'n uitvloeisel van die Amerikaanse ruimte program met verskeie aardse toepassings, maar eintlik is sy eerste betekenisvolle gebruik in die Manhattan-projek, as 'n wesenlike hoogs reaktiewe uraanheksafloried.
- Dit is die eerste keer kommersieel verkoop in 1946.

Voordele:

- Onaktief om feitlik alle kommersiële chemikalieë, sure, alkohole, koelmiddels, koolwaterstowwe, oplosmiddels, sintetiese verbindings en hidrouliese vloeistowwe.
- Aangewese vir stoom tot 250 psi (406 grade F) - het 'n lae volumetriese uitsettingseienskap - maklik om skoon te maak en te steriliseer.
- Nie geaffekteer deur deurlopende buig, vibrasie of impulsdruk. Bestand teen afwisselende warm en koue siklusse
- Makliker om te beweeg, te hanteer en te installeer as rubberpype met 'n vergelykbare barsdruk gradering.
- Die lae wrywingskoëffisiënt van Teflon en anti-kleef eienskappe verlaag druk terwyl goeie oppervlakdruk gehandhaaf.
- Jackson Teflon pype het 'n opsionele geleidende voering vir die verwydering van statiese opbou.



- Sal nie materiaal besoedel. Vloei of gas geleidende - Teflon is 'n erkende materiaal vir die hantering van voedsel asook farmaseutiese toepassings.
- Hanteer stowwe soos kleefmiddels, asfalt, kleurmiddels, ghries, gom, latex, en verwe met gemak.
- Geen vogabsorpsie, ideaal as 'n varkstert in grootmaat gas hantering en pneumatiese stelsels waar 'n lae doupunt van kritieke belang is
- Dig teen weer en kan gestoor word vir lang tydperke sonder veroudering. Dit sal nie verouder in diens nie.
- **Hier is vyf voordele van Teflon bedekte oppervlaktes:**
- Die elektriese eienskappe van Teflon is sonder weerga. In gevalle waar jy met verskillende frekwensies werk, is daar geen beter seëlbaar as Teflon nie. Teflon het 'n hoë diëlektriese krag.
- Die meeste chemikalieë affekteer nie Teflon nie. Die meeste nywerhede gebruik een of ander chemikalieë en Teflon bedekte oppervlaktes sal voorkom dat gevaarlike chemikalieë skade aandoen.
- Teflon is hitte en koue bestand. Nie alle vorme van 'n deklaag kan beide brandende warm en ysige koue temperature weerstaan nie, veral dié wat uiterste temperature van 600 grade Celsius tot -454 grade Celsius kan weerstaan.
- Omdat Teflon 'n nie-vassit materiaal is, maak dit basies self skoon. Teflon bedekte oppervlaktes is 'n goeie manier om masjiene skoon te hou omdat vloeistowwe net afgly van oppervlaktes wat daarmee bedek word.
- Die wrywingskoeffisiënt is laag. Daar is verskeie tipes van Teflonbedekkings. Maar hulle is almal baie glad en bied nie baie weerstand nie, so enige bewegende dele wat daarmee bedek is gly glad en maklik.

Gebruik

In die 21ste eeu, bykomend tot die algemene gebruik in die vervaardigingsbedryf, word teflon gebruik op alle vorme van alledaagse items. Baie mense is vertrouwd met "non-stick" potte en panne wat met Teflon® bedek is. Motor windskeermveërs word ook algemeen bedek met teflon, wat help dat die lemme nie raas as hulle heen en weer oor die voorruit beweeg nie. Teflon word ook gebruik as 'n mat of weefstofbeskermer, want dit weer vloeistowwe af, sodat stortings opgevee kan word sonder om 'n vlek te laat. Dit word gebruik op "all-weather" klere, as bedekking op brill lense, 'n vingernael beskermer en selfs in haarsorgprodukte. Magasyn vir gewere, Teflon kleefband, Teflon bedek kook panne, Teflon band vir koppelingverseëling, Karwasprodukte, O-ringe, Olie- en- waterseëls. Teflon krane, Terugslagkleppe. Flense, Pypsaals.





ELEKTRIESE HEININGS

Elektriese heining is 'n baie gewilde, veelsydige en doeltreffende vorm van omheining en kan gebruik word in beide tydelike en permanente heining. Hierdie inligtingsgids gee die gebruiker 'n beter begrip van 'n elektriese heining en 'n insig in hoe die produkte gebruik word.

1. Noem n paar veiligheidsvereistes en regulasies van toepassing op elektriese heinings

- Elektriese heinings moet so geïnstalleer en bedryf word dat hulle geen elektriese gevaar vir mense, diere of hul omgewing inhou nie.
- Elektriese heining konstruksies, wat geneig is om tot 'n verstrengeling van diere of persone te lei, moet vermy word.
- 'n Elektriese heining sal nie voorsien word van meer as een energiebron nie
- Die gaping tussen die twee afsonderlike elektriese heinings met verskillende energiebronne, moet ten minste 2 meter wees.
- As hierdie opening gesluit word, moet dit gedoen word deur middel van 'n nie elektries geleidende materiaal.
- Doringdraad of lemmetjiesdraad mag nie geëlektrifiseer word deur 'n energiebron nie.
- Enige deel van 'n elektriese heining wat langs 'n openbare pad of snelweg geïnstalleer is, moet geïdentifiseer word deur **waarskuwingstekens** wat stewig aan die heiningpale gemonteer is
- Behalwe vir lae uitset battery-aangedrewe Energiebronne, sal die energiewekker se aardelektrodes die grond tot 'n diepte van minstens 1 meter binnedring.
- Verbindingsgeleiers wat van binne geboue bedryf word, sal effektief geïsoleer word van die ge-aarde strukturele dele van die gebou.
- Verbindingsdrade wat ondergronds loop, sal in 'n kanaal van isolerende materiaal loop.



- Sorg moet geneem word om skade aan die verbindingsgeleiers te vermy as gevolg van die gevolge van diere se hoewe of trekkers se wiele wat in die grond insink.
- Verbindingsdrade sal nie geïnstalleer word in dieselfde kanaal as die hooftoevoer bedrading, kommunikasiekabels of datakabels nie.
- Verbindingsgeleiers en elektriese heining drade sal nie bo oorhoofse krag of kommunikasielyne kruis nie.
- As elektriese heinings en die koppelingsgeleiers naby 'n oorhoofse kraglyn geïnstalleer word sal die vryhoogte soos volg wees:

Kraglyns spanning: Onder 1000 volts - **Vryhoogte:** 3 meter

Kraglyns spanning: 1000 – 33 000 volts - **Vryhoogte:** 4 meter

Kraglyns spanning: Oor 33 000 volts - **Vryhoogte:** 8 m

- As die koppelingsgeleiers en elektriese heining drade naby 'n oorhoofse kraglyn geïnstalleer is, sal hul hoogte bo die grond nie 2 m oorskry nie. Dit hoogte is van toepassing op weerskante van die buitenste geleiers van die kraglyn op die grond oppervlak, vir 'n afstand van - 2 meter vir die kraglyne van hoogstens 1000V - 15m vir kraglyne van meer as 1000V.
- 'n Afstand van 10m sal gehandhaaf word tussen die energiewekker Aardpen en enige ander aardingstelsel soos byvoorbeeld die kragtoevoerstelsel, aardbeskermingsstelsel of die telekommunikasieaardstelsel.
- Elektriese heinings bedoel as afskrikmiddel teen voëls, huishoudelike troeteldier inkamping of opleiding van diere soos koeie moet net voorsien word vanaf lae uitset energiebronne om bevredigende en veilige werking te verkry.
- Waar elektriese heinings bedoel vir afskrikmiddel vir voëls wat op geboue slaap gebruik word, mag geen elektriese heining draad verbind word aan die Aardpen nie .
- Waar 'n elektriese diereheining 'n openbare pad kruis, moet 'n nie-geëlektrifiseerde hek by die punt in die elektriese heining geïnstalleer word.

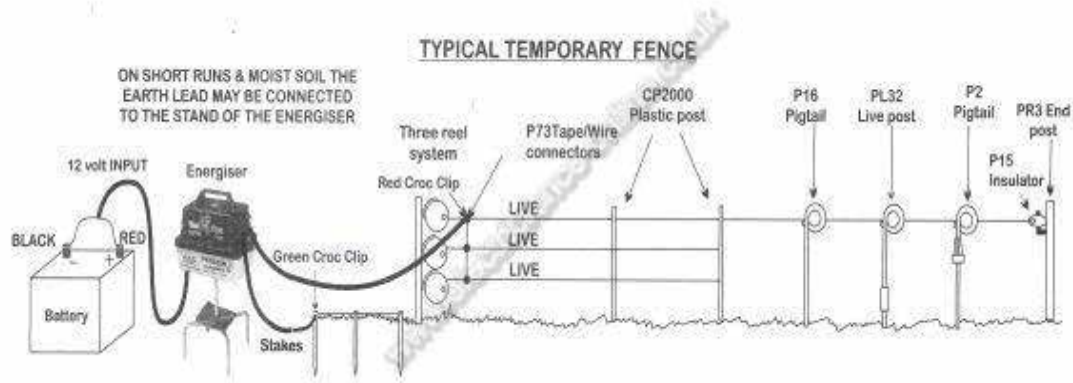
2. Energiewekker veroorsaak nie sturings. Dit word gewoonlik veroorsaak deur 'n slegte las, lekkende isolasie of plantegroei wat aan die heining raak.

3. Volg die kontrolelys hieronder as jy sturings ervaar:

- Die Energiebron se Aardstelsel moet voldoende wees.
- Die Energiebron se Aardstelsel moet 10m weg wees van die hooftoevoer, aardveiligheid en ondergrondse waterpype.
- Die energiewekker **MOET NIE** aan die hooftoevoer, aardveiligheid en ondergrondse waterpype verbind word nie.
- Die hooftoevoerproppe en sokke vir die radio en die Energiebron moet in goeie werkende toestand wees. Geen los konneksies.
- Die energiewekker se aardkabel moet nie aan geboue raak, wat kan optree as 'n uitsending lugdraad nie. Gebruik dubbel- geïsoleerde kabel of hardloop die draad na die aarde met behulp van isolators.
- Die energiewekker se grondstelsel moet ten minste 10m weg van radio's en ondergrondse telefoonrade wees.
- Vermy die oprigting van 'n elektriese heininglyn parallel aan krag of telefoonlyne.
- Gebruik slegs top kwaliteit isolators. Vonking binne gekraakte of swak gehalte isolators veroorsaak sturings.
- Plantegroei wat aan die heininglyn naby aan die radio raak kan ook lei tot vonking en dus sturings veroorsaak.

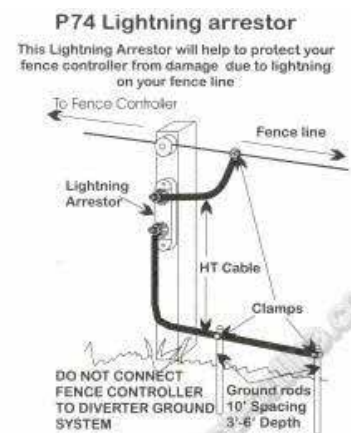


- Om vonking veroorsaak deur lekkasies, foutiewe aansluitings, gebreekte drade of foutiewe isolators, op te spoor moet al langs die heininglyn afgehoop word met 'n transistor radio ingeskakel op die AM stasie afband op 'n hoë volume. Die kliek sal harder word as die lekkasie nader kom.

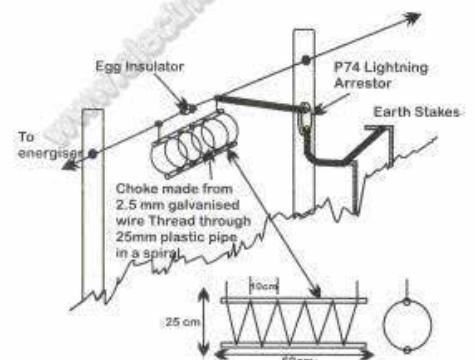


4.Noem die prosedure wat u moet volg wanneer die aardstelsel van 'n elektriese heining getoets word.

- Eerstens, kortsluit die lewendige heining draad na grond, hetsy met 'n metaalstuk of deur die heining draad op die grond te lê vir ongeveer 100 meter en ten minste 30 meter weg van die energiewekker.
- Skakel die energiewekker aan.
- Meet die spanning tussen die grond en die aardpen met 'n meter. As dit bo 200volts is, is die aardinstallasie ondoeltreffend. Inspekteur die konneksies of verhoog die aantal Aardpenne .
 d) As jy 'n skok van die aardpen kry voordat jy die heininglyn kortsluit, is daar 'n swak Aarde en moontlik 'n fout op die heining lyn. (Kyk vir plantegroei op die lyn of foutiewe isolators).



For extra protection a choke may be added with the P74 arrestor.



WEERLIGBESKERMING

5. Noem twee metodes om weerligskade aan jou energiewekker te voorkoming.

- a) Die installering van weerligbeskermers.
- b) Skakel alle elektrisiteit af tydens donderstorms.

Weerlig kan **energiewekkers** beskadig. Skade kan beperk word deur die energiewekker van die heininglyn te ontkoppel en om dit te ontkoppel van die kragtoevoer tydens elektriese storms. 'n Weerligbeskermer/blitsweerderstelsel word aanbeveel om skade aan jou **energiewekker** te verminder. Weerlig vind altyd die maklikste pad na die grond. Dus die grondingstelsel van die weerligbeskermer moet net so goed of beter as die **energiewekker** gegrond wees.

Die demper kan eenvoudig gemaak word en veroorsaak 'n blokkerende effek vir die uifers hoë spanning van die weerlig sodat dit oor die silikonkarbiedskyfies in die arrestor spring en herlei word na die grond.

In gebiede waar weerlig 'n groot probleem is, sal dit voordelig wees om addisionele arrestors, in klam gebiede, verspreid oor die hele plaas te installeer.

6.Noem die vereistes vir die waarskuwingsborde op 'n elektriese heining.

- a) Stewig vasgeheg aan die heining met ongeveer 10 tot 50 meter, maar nie meer as 90 meter intervalle nie.
- b) Die waarskuwingstekens moet ten minste 100mm x 200mm groot wees.
- c) Die agtergrondkleur aan beide kante moet geel wees.
- d) Die inskripsie moet swart wees en sal lees **“WAARSKUWING - ELEKTRIESE HEINING”**.
- e) Die inskripsie moet onuitwisbaar wees, geskryf aan beide kante en met 'n syfergrootte van ten minste 25mm.

7.Noem 'n paar algemene elektriese wenke vir die onderhoud van 'n elektriese heining.

- a) Gaan die heining gereeld na vir plante wat oor die heining groei of vir gebreke takke, aangesien dit die spanning op die lyn verminder.
- b) Kyk vir beskadigde of stukkende drade en isolators, asook los konneksies.

8.Beskryf die aardlekstelsel van 'n elektriese heining kortliks

- a. Die aardlekstelsel is 'n integrale deel van jou energiewekker se werking. Soos met al die energiewekkers moet daar 'n terugkeer pad wees deur die grond en die aardpen terug na die energiewekker om die lus te voltooi.
- b. Daar moet altyd in gedagte gehou word dat alle elektriese stroombane 'n volledige kring van die positiewe (lewendig) na die negatiewe (aarde). Die aarde is net soveel deel van die kring as die heining lyn en die dier is die vermiste skakel wat die lus voltooi.
- c. Plantegroei sal ook die kring voltooi en veroorsaak dat die uitsetspanning van die energiewekker val. Daarom is dit baie belangrik om enige plantegroei op die lyn tot 'n minimum te beperk om te verseker dat die dier die maksimum skok van die energiewekker ontvang.

9. Beskryf twee maniere om die aarding se doeltreffendheid te verbeter in swak aardingstoestande.(Sand, turf, gruis, baie droë grond, sneeu of bevrore grond)

- a) Vermeerder die getal Aardpenne .
- b) Hardloop 'n aardterugkeerdraad parallel met die heininglyn en verbind dit met gereelde tussenposes aan aardpenne.



10. Beroepsveiligheid en gesondheids Wet,1993

Reëls en regulasies vir elektriese heinings

1. Geen gebruiker mag 'n heiningenergiewekker installeer wat elektriese energie-impulse aan 'n elektriese heining lewer wat nie gelyk of binne die volgende waardes is nie:

Peak value of voltage Hoogste spanning	10 kV
Maximum duration of impulse Maksimum duur van impuls	50 ms
Minimum interval between impulses Minimum intervalle tussen impulse	0.75s
Maximum quantity of electricity per impulse Maksimum hoeveelheid elektrisiteit per impuls	2.5 mC
Maximum energy discharge per impulse measured at a resistance of 500 ohms Maksimum energieontlading per impuls gemeet teen 'n weerstand van 500 ohm	8 J

2. Die gebruiker moet toesien dat alle heiningenergiewekkers:

- so gebou is dat dit stof en water uitsluit, en
- nie geïnstalleer is in stowwerige plekke of plekke waar daar 'n brandgevaar is nie.

3. Die gebruiker sal nie 'n heiningenergiewekker wat sy energie van 'n elektriese toevoer stelsel installeer:

- in plekke waar die energiewekker waarskynlik meganiese skade sal opdoen of mee gepeuter kan word nie;
- op 'n paal van 'n oorhoofse krag of kommunikasielyn met uitsondering van pale wat die geleiers van die energiewekker dra, en
- tensy die uitset kring van die toevoer geïsoleer is deur middel van 'n dubbel-gewinde isoleringstransformator.

4. Die gebruiker van 'n heiningenergiewekker sal:

- verseker dat die aarde van elke heiningenergiewekker vry en ten minste 2 m weg van die aarde en enige ander elektriese stelsel, en
- nie doringdraad elektrifiseer nie, maar slegs gladde draad of sodanige artikels wat as 'n persoon daaraan raak die persoon in staat te stel om dit onmiddellik te los: Met dien verstande dat 'n gladde draad wat aan lemmetjiesdraad gekonnekteer word geëlektrifiseer mag word.

5. In die geval van 'n heiningenergiewekker wat sy energie van 'n battery, gelaai deur middel van 'n laaiër wat sy krag van 'n elektriese toevoer verkry, moet die gebruiker sorg dat die laaiapparaat van dubbel-isolasiekonstruksie is.

6. Wanneer 'n elektriese heining op 'n openbare pad of in 'n stedelike gebied geïnstalleer is, moet die gebruiker:

- voorkom dat persone nie per ongeluk daarmee in aanraking kom nie; en
- kennisgewing opvallend aanbring, om mense te waarsku dat die eiendom beskerm is deur 'n elektriese heining.

11. Sommige komponente van 'n elektriese heining

Hieronder is inligting oor die dele van 'n hoogs effektiewe elektriese heining stelsel wat gebruik word om diere op jou plaas te beheer, in te sluit of uit te sluit - of selfs jou en jou tuin.



HEININGPALE/STUTPALE

Alhoewel hulle in 'n verkeidenheid van groottes, sterktes en materiaal verkry word, ondersteun hulle die elektriese heiningdraade soos dit diere in 'n area beheer, inhou of uithou.

ISOLATORS



Isolators word gebruik om geëlektrifiseerde draad aan heiningpale te verbind sonder verlies van energie deur die pale. Hulle kan van porselein of plastiek vervaardig wees en is beskikbaar in baie ontwerpe vir verskeie tipes heiningpale.

HEININGDRAAD



Elektriese heiningdraad kom voor in baie lengtes, treksterktes en materiale, maar hulle het almal een hoofdoel: die vervoer van elektriese spanning oor die hele lengte van die heining.

GRONDING



Onbehoorlike gronding lei tot 'n nuttelose elektriese heining. In 90% van alle gevalle waar die elektriese heining nie werk nie, kan jy weet dit is as gevolg van foutiewe gronding.

HEKBEHEERDERS



Jy moet 'n hekbeheerder vir elke geëlektrifiseerde draad hê. Die beheerder is gewoonlik van plastiek of rubber gemaak. Hekbeheerstelle is 'n gerieflike manier om hekbeheerders te installeer.



DIE OPWEKKER



Die opwekker (of Energizer) is die "hart" van die elektriese heining stelsel. Dit verander hoof-of battery krag in 'n hoë spanning pols of "skok", wat deur die dier gevoel word wanneer dit die heining raak. In die verlede het elektriese heining opwekkers maklik gekortsluit. Vandag se opwekkers het 'n lae impedansie, wat beteken dat hulle ontwerp is om effektief te skok al raak plantegroei en ander ongewenste materiaal aan die heining.

Kragbron - Battery (droë weggoibare of 12 volt nat herlaaibare), afhangende van die model. Hoof toevoer en sonkragstelsels is beskikbaar.



Heiningdraadspanners



a) Veer wat tot 1,6 mm drade kan span





b) Draadtrekkers

ALGEMENE VRAE:

Elektriese heinings word op plase vir selfbeskerming en beskerming van eiendom gebruik.

1. Dui enige VIER veiligheidsmaatreëls wat geïmplementeer moet word wanneer 'n elektriese heinings op 'n plaas waar mense daarmee in kontak kan kom opgerig word.

- a) Ampère mag nooit hoër as **0,002** Amps wees, of die spanning mag nooit meer as **10 000** volt wees.
- b) Waarskuwingstekens moet teen die heining aangebring wees om mense te waarsku om nie in kontak met die heining te kom nie.
- c) Elektriese heinings mag nooit parallel onder oorhoofse kraglyne opgerig word nie, want 'n hoër stroom kan geïnduseer word in die heining deur die oorhoofse kraglyne.
- d) Maak seker dat die drade nie ge-aard is nie.

2. Watter tipe materiaal kan gebruik word as 'n isolator tussen die draad en die paal om 'n kortsluiting te voorkom?

Keramiek, rubber, plastiek, iets wat nie elektrisiteit gelei nie.

3. Die drade van 'n elektriese heining moet baie sterk wees as gevolg van die spanning in die drade. Watter tipe draad word gebruik om 'n elektriese heining mee op te rig, wat moet die minimum dikte van die draad wees en waarmee moet hierdie draad bedek wees om roes te voorkom?

Staaldraad wat 3 mm dik is en gegalvaniseer is.

4. Waarteen moet die veiligheidstekens mense waarsku?

Elektrisiteit / Skok / Hoë spanning

5. Noem 'n paar dinge om te onthou wanneer jy veiligheidstekens teen 'n elektriese heinings installeer?

- Plaas op alle hekke, deure en heinings om mense van potensiële gevaarlike situasies of plekke te waarsku.
- Tekens moet groot en kleurvol wees sodat mense / kinders en ongeletterde persone dit maklik kan identifiseer en/of sien.
- Hoog genoeg wees om buite bereik van diere te wees
- Hoog genoeg wees om buite bereik van vandale te wees
- Hoog genoeg wees om buite bereik van diere te wees



6. Isolasiemateriaal wat op dakke van geboue gebruik word moet aan sekere vereistes voldoen. Noem 4 van hierdie voorvereistes.

- Moenie skadelik wwes of gevaar vir mense inhou wanneer dit ingeasem of aangeraak word nie.
- Moenie maklik brand nie.
- Insekte moenie dit kan eet of neste daarin bou nie (moet behandel word met insekweerder)
- Moet lig wees.



HOOFSTUK 3

ENERGIE

ALTERNATIEWE ENERGIEBRONNE

1. WINDENERGIE

1.1 Hoe om windenergie te omskep in 'n vorm van elektriese krag

Dit is 'n redelik eenvoudige proses en werk op dieselfde beginsel as die meeste kragopwekkingstegnieke.



- Ten einde elektrisiteit uit windkrag op te wek moet jy in staat wees om energie op te vang uit die krag van die wind.
- Dit word gewoonlik gedoen deur die gebruik van 'n windturbine met 'n skroeflem tipe ontwerp.
- Die skroef ontwerp is meer algemeen in horisontale wind turbines, as die minder gewilde vertikale windturbine ontwerp.
- Sodra jy die vermoë het om windenergie op te vang, kan die energie gebruik word om turbines aan te dryf wat aan 'n generator verbind is, wat dan die generator in staat stel om krag te produseer.

1.2 Koop en installering van 'n wind turbine/laaier

- Voor jy 'n klein windturbine vir jou plaas aankoop moet jy die omliggende omgewing ingedagte hou vir die plek van plasing. Indien dit voldoen aan die vereistes vir 'n windturbine- installasie moet die installasie koste-effektief en doeltreffend wees.
- As jy op 'n plaas woon, en jy word omring deur oop ruimtes en baie landerye, dan is die gemiddelde windspoed by jou huis sterker as binne 'n dorp of stad
- Nog 'n faktor om te oorweeg is die manier waarop die terrein rondom jou lê.
- As daar enige groot heuwels of berge naby is, is die oprigting van windturbines nie jou beste opsie nie.
- Wind turbines vereis 'n aansienlike windspoed om elektrisiteit doeltreffend te genereer. Hoe sterker die wind, hoe meer uitset in watt kan jy genereer (maar jy kan nie oor jou turbines se kapasiteit gaan nie.)



- As daar 'n bos of 'n klomp bome in die omgewing is, kan jy besluit om 'n ander manier van hernubare energie soos sonkrag, of geotermiese krag te kies as gevolg van 'n moontlike swak windspoed.
- Voor die aankoop van enige turbines, moet jy navorsing doen en miskien selfs 'n professionele persoon huur om 'n opname te doen in die omliggende gebied, om te bepaal of 'n windturbine ekonomies en lewensvatbaar vir jou omgewing sal wees.
- Indien die ligging geskik is om energie deur wind op te wek, kan jy 'n windturbine gaan aankoop (soos die een hieronder), en kies waar jy beplan om dit te installeer.



- Baie mense sal voorstel dat jy 'n klein huisturbine op 'n paal installeer, in 'n goed blootgestelde area, om sodoende windkrag ten volle in te benut.
- Sodra jou turbine in 'n oop ruimte geïnstalleer is, bo enige groot voorwerpe, moet jy seker maak dat dit in die mees algemene windrigting wys. Sommige wind turbines is in staat om hulself aan te pas by die rigting van die wind.
- Dit is belangrik dat jy kundige advies ontvang wanneer jy beplan om 'n windlaaier/ wind turbine, aan te skaf.
- 'n Elektriesien is in staat om die turbine te koppel aan die kragtoevoer van jou huis om 'n ekstra hupstoot in elektrisiteit te voorsien, en sodoende die koste van elektrisiteit te verlaag wat jy van jou elektrisiteit verskaffer ontvang.
- Die plasing van die windturbine is een van die belangrikste faktore om te bepaal of jou projek doeltreffend sal wees.
- Sommige mense kombineer windenergie-tegnologie met sonkrag, en / of geotermiese energiestelsels, in 'n poging om 'n groter vlak van doeltreffendheid in verskillende omstandighede te verkry.

1.3 Voordele van wind energie

- Windkrag het geen brandstofkoste
- Lae of geringe onderhoudskoste
- Windkrag het geen skoonmaakkoste, fossielbrandstowwe het.
- Geen koolstof-belasting kostes.
- Natuurlike gas en olie-invoere verminder
- Daar is geen rede waarom Suid-Afrika nie windturbines vir sy eie behoeftes kan maak en selfs kan uitvoer om werk te skep en buitelandse valuta te verdien.
- Windturbines is uitlaatgasvry, wat beteken dat hulle nie tot lugbesoedeling bydra nie.
- Wind is 'n hernubare energiebron in teenstelling met fossielbrandstowwe, wat 'n uitputbare energiebron is.
- 'n Groot aantal windturbines kan die afhanklikheid aan ander energiebronne verminder, en 'n meer betroubare energiebron op die lang termyn voorsien.
- Windenergie is veel goedkoper as ander bronne van energie. Die koste van residensiële energie is gemiddeld meer as 12 sent per kilowatt-uur, terwyl die gemiddelde koste van wind energie net 5-6 sent per kilowatt-uur is.



- Windturbines is 'n groot bron om energie in afgeleë plekke op te wek, soos gemeenskappe in bergagtige gebiede en afgeleë plattelandse dele.

1.4 Nadele van windenergie

- Die grootste nadeel ten opsigte van windkrag is wind se onbetroubaarheidsfaktor. In baie gebiede, is die windkrag te laag om 'n windturbine of windplaas te ondersteun, en dit is waar die gebruik van sonkrag 'n goeie alternatief kan wees.
- Windturbines produseer gewoonlik baie minder elektrisiteit as die gemiddelde fossielbrandstofkragstasie, 'n groot hoeveelheid windturbines moet gebou word ten einde 'n inpak te maak.
- Windturbine konstruksie het 'n hoë koste inpak op die omliggende wildlewe tydens die bouproses.
- Die geraas van kommersiële windturbines is soms soortgelyk aan 'n klein straalenjins. As jy kilometers weg woon sal jy skaars die geraas hoor, maar wat as jy binne 'n paar honderd meter van 'n turbine leef? Dit is 'n groot nadeel.
- Betogings en / of petisies konfronteer gewoonlik enige voorgestelde windplaas ontwikkeling. Mense voel die platteland moet ongeskonde gelaat word vir almal om die skoonheid te geniet.

1.5 VRAE EN ANTWOORDE

Die diagram hieronder toon strukture wat gebruik word om elektriese energie op te wek.



1.5.1 Noem die energiebron wat deur hierdie strukture benut word om elektriese energie op te wek?

Wind.

1.5.2 Bespreek kortliks die tegniese aspekte van 'n windturbine.

- Windturbines, wat bestaan uit twee of drie skroef-tipe lemme gemonteer om 'n groot rotor, lyk soos groot waaiers gemonteer op torings.
- Die rotor is gekoppel aan 'n hoofas, wat 'n kragopwekker/generator draai om elektrisiteit op te wek.
- Wanneer die turbines 30 meter of meer bo die grond geplaas word, trek die turbines voordeel uit sterk winde wat die lemme draai en energie produseer.
- Die turbines kan energie produseer vir individuele huise of besighede, of hulle kan aan die hoof elektriese netwerk gekoppel word om energie op te wek vir meer wydverspreide gebruik.



1.5.3 Beskryf kortliks hoe hierdie struktuur elektrisiteit opwek.

Windkrag werk deur die omskakeling van kinetiese energie, teenwoordig in wind, in meganiese energie en dan in elektriese energie.

- Wind draai 'n turbine se lemme, wat gevorm is om die wind te vang.
- Hierdie draaibeweging word deur ratte oorgedra wat aan die turbine se rotor, wat veroorsaak dat die turbine elektrisiteit opwek

1.5.4 Die strukture hierbo kan tot 30 meter hoog wees, met lemme so groot soos vliegtuigvlerke, met die gevolg dat sterk winde en storms ernstige skade aan die konstruksie kan aanrig. Wat kan gedoen word om te verhoed dat skade aan die lemme aangerig word wanneer die lemme te vinnig draai tydens storms?

Verander die hellingshoek van die lemme.

1.5.5 Watter apparaat kan gebruik word om die gelykstroom, wat deur die wind kragopwekker opgewek word na wisselstroom wat op die plaas gebruik kan word te verander?

Alternator.

1.5.6 Hoe kan jy die energie stoor wat deur hierdie toestel opgewek word vir gebruik tydens windstil dae?

Batterye.

1.6 Eienaars van klein windstelsels geniet:

- Dekades van gratis elektrisiteit na die aanvanklike-verhalingskoste
- Verhoog die waarde van eiendom
- Betroubare elektrisiteit
- Verligting van hoë en wisselvallige pryse van ander vorme van elektrisiteit
- Persoonlike energie-onafhanklikheid
- Vermoë om skoon energie te ondersteun en die stryd om aardverwarming te ondersteun op 'n tasbare manier

2.SONENERGIE

2.1 WAT IS SONKRAG?

- a. Sonkrag elektrisiteit gegenereer uit die vlakke van natuurlike energie vervat in die son se strale (sonbestraling).
- b. Die son bestaan al vir biljoene jare. Elke dag skyn die son neer op ons aarde, en skiet sy sonenergie in ons rigting. Hierdie sonenergie is algemeen bekend as sonbestraling, en bevat 'n aansienlike hoeveelheid energie wat ons kan aanwend.
- c. Die sonstrale bevat fotone. Hierdie fotone is in staat om elektrone in geleidingselektrone te verander, wat beteken dat hulle in staat is om 'n elektriese lading te dra.



2.2 WARMWATERSONPANELE



- Die gebruik van sonpanele om water te verhit word toenemend gewild as gevolg van die energie en geldbesparing wat met hierdie metode verband hou.
- 'n Goeie warmwatersonpaneelstelsel is in staat om 'n gemiddelde huishouding te voorsien met ongeveer 'n derde van sy jaarlikse warmwater behoefte. Terwyl dit dalk nie na baie klink nie, kan dit die koste van energie met 'n aansienlike hoeveelheid verminder.
- Dink daaraan wat sal gebeur as jy 'n sonpaneelverwarmingstelsel en 'n sonkrag-elektriesepaneelstelsel kombineer. Dit sal 'n groot besparing meebring op energie en elektrisiteitsrekeninge.
- Die kombinasie van 'n sonkragwarmwaterpaneel met ander hernubare energie tegnologie, soos sonkrag-elektriese panele, of 'n huis windturbine kan baie goed saamwerk in die verskaffing van 'n goedkoop bron van skoon en hernubare energie in en om ons huise.
- Integrasie is die sleutel vir die sukses van 'n sonkrag-stelsel. So maak seker dat 'n kenner op hierdie gebied geraadpleeg word tydens die beplanning van die installasie.

2.3 SONKRAG-ELEKTRIESE PANELE

- a. Sonkrag (of fotovoltaïese) selle, is 'n baie goeie manier vir die verskaffing van elektrisiteit aan afgeleë gebiede (soos vroeër genoem), waar die gebruik van elektrisiteit belangrik is, maar die lê van 'n hoë spanning kabel nie lewensvatbaar is nie. Die beste voorbeeld van die belangrikheid van sonkrag om elektrisiteit te voorsien in afgeleë plekke kan gevind word op satelliete. Vir baie jare het satelliete sonpanele gebruik om die sonstrale op te vang, om krag te voorsien aan die toerusting aan boord.

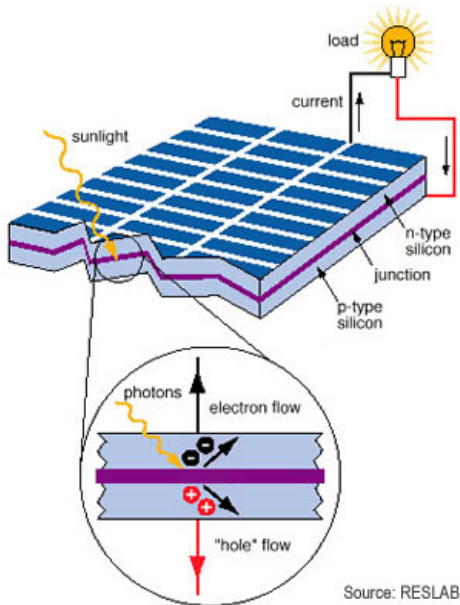


- b. Fotovoltaïese selle kan geïnstalleer word, as 'n rangskikking, soos in die beeld aan die bokant van hierdie bladsy. Daar is baie voordele van die gebruik van 'n sonselrangskikking, met verskeie panele op 'n raam. Een van die belangrikste voordele is dat ons in staat is om groot hoeveelhede van die selle te kombineer om 'n groter produksie van elektrisiteit te voorsien, en hierdie metode maak sonkrag elektrisiteit 'n lewensvatbare opsie vir krag aan klein huise en besighede.



- c. Die toenemende doeltreffendheid van sonkrag-tegnologie, beteken dat ons in staat is om panele te koop en te installeer, wetende dat dit 'n doeltreffende manier is om die sonstrale op 'n doeltreffende manier te omskep in elektrisiteit vir gebruik in ons huise.
- d. Dit is heel moontlik vir 'n huishouding om net op fotovoltaïese elektrisiteit uit die gebruik van sonpanele staat te maak.

2.4 Hoe produseer jy elektrisiteit uit sonkrag?



- Voordat jy in staat is om elektrisiteit te produseer deur sonkrag, moet daar een of ander vorm van sonkrag sel of paneel wees.
- Die sonpanele word gemaak van 'n semi-geleidende materiaal, die mees algemene materiaal is silikon.
- Die semi-geleidende materiaal bevat elektrone wat baie gelukkig is om net daar te sit.
- Wanneer fotone (soos vervat in die sonstrale) die sonselle tref, absorbeer die elektrone die sonenergie, en sit om in geleidingselektrone.
- As die energie van die fotone groot genoeg is, sal die elektrone in staat wees om vry te word, en 'n elektriese lading deur 'n kring na 'n bestemming te dra.



2.5 Die doeltreffendheid van die sonpaneel hang van ses belangrikste faktore af en hulle is:

- Dat die sel nie teen sy volle potensiaal werk nie (bv. sommige elektrone kan verloor gaan),
- Die tweede faktor is wanneer die elektrone hitte vrystel, kan die paneel ook warm word, en inmeng met ander aspekte van die sonkragsele.



- Aantal sonpanele bepaal die doeltreffendheid van die stelsel
- Duur natuurlike energie tegnologie produseer meer doeltreffend as die goedkoper soorte
- Nog 'n faktor wat 'n sonpaneel se doeltreffendheid beïnvloed is plek.
- Dit is duidelik dat as jy nader aan die ewenaar is, sal jy 'n effens beter uitset met 'n gegewe sel ontvang. Sonkragsele moet altyd in die rigting van die son wys, met geen voorwerpe wat die sonstrale blokeer nie.

2.6 Noem VYF voordele van die gebruik van sonkrag.

- In die eerste plek, is sonkrag-tegnologie eindeloos.
- Sonkrag-tegnologie is heeltemal skoon, met geen reste, afval-of neweprodukte van enige aard. Omgewingsvriendelike energiebron
- Te danke aan die verbetering van tegnologie, is sonkrag ook uiters verskuifbaar.
- Sonkrag kan meer energie skep as wat nodig is vir 'n enkele gesin se behoeftes.
- Ekstra krag van sonpanele kan teruggevoer word na die hoofkragnetwerk, en verskaf skoon, vry-energie aan mense regdeur 'n hele gemeenskap.

2.7 Noem VIER nadele van sonkrag.

- Sommige dele van die wêreld is nie in staat om voordeel te trek uit fotovoltaïese energie as gevolg van die klimaat, weerpatrone, of hoë vlakke van besoedeling.
- Sonenergie is nie beskikbaar gedurende die nag nie.
- 'n Bewolkte dag maak hierdie energiebron ondoeltreffend.
- Produseer klein hoeveelheid energie teen lae spanning en ampère.

2.8VRAE EN ANTWOORDE

2.8.1 Sonenergie is een van die grootste bronne van energie, maar ook 'n bron wat meestal onderbenut is.

As ons dit kan regkry om die energie van die son meer produktief te gebruik sal ons nie meer energieprobleme in die wêreld hê nie.



1.Noem die TWEE tipes energie wat direk uit sonenergie gegenereer kan word, en noem 'n toestel wat elke tipe effektief kan omskakel.

- Hitte. Solar / Songeiser, son-oond.
- Elektrisiteit. Solarelektiese sel / foto-elektiese selle



2.Hierdie paneel lewer gelykstroom teen lae spanning en watt.

Wat moet gebruik word om die stroom na wisselstroom te verander as 'n wisselstroom motor gebruik word?

Omsetter / transformator.

3.Kan energie van hierdie bron gedurende die nag gebruik word?

Gee 'n verduideliking vir jou antwoord.

Ja.

Die elektriese energie wat gedurende die dag geproduseer word kan gebruik word om 'n battery te laai wat gebruik kan word gedurende die nag.



3.GEOTERMIESE ENERGIE

3.1 Wat is geotermiese krag?

- Die grond onder ons voete bevat 'n aansienlike vlak van energie in die vorm van hitte. Al hierdie geotermiese energie het die potensiaal om **geotermiese krag** op te wek wat groot hoeveelhede elektrisiteit kan voorsien.
- Ons gebruik geotermiese energie in die vorm van warmbronne vir eeue, maar die eerste poging om elektrisiteit op te wek uit hierdie bron van energie het nie plaasgevind tot die 20ste eeu nie.
- Die produksie van elektrisiteit van geotermiese energiebronne kan 'n hoogs effektiewe en doeltreffende metode van gebruik word, maar plek is die sleutel vir 'n doeltreffende geotermiese kragstasie.
- Daar is slegs 'n handjievol plekke regoor die wêreld wat in staat is om 'n lewensvatbare en doeltreffende hoeveelheid elektrisiteit van geotermiese energie bronne te vervaardiging. Die gevolg is dat vanaf 2007 minder as 1% van die wêreld se elektrisiteit van geotermiese bronne kom.
- Geotermiese kragstasies in 'n verskeidenheid van ontwerpe. word gebruik om geotermiese energie in te span en te transformeer in elektrisiteit.



3.2 Die benutting van geotermiese energie (kragstasies)

- 'n **Geotermiese kragstasie** gebruik sy geotermiese aktiwiteit om krag op te wek. Hierdie tipe van natuurlike energieproduksie is uiters omgewingsvriendelik en word gebruik in baie geotermiese warm punte regoor die wêreld.
- Om die energie te tap, word diep gate in die aarde geboor (baie soos die boor van olie) tot 'n beduidende geotermiese warm plek gevind word.
- Wanneer die hittebron ontdek is, word 'n pyp diep binne-in die gat aangeheg wat toelaat dat warm stoom van diep binne die aarde se kors styg na die oppervlak.
- Die saamgepersde stoom word dan gekanaliseer na 'n turbine wat begin draai onder die groot krag van die stoom.
- Dit turbine is gekoppel aan die kragopwekker en so begin die kragopwekker ook om te draai, wat veroorsaak dat elektrisiteit opgewek word.
- Koue water word deur 'n nuwe pyp afgepomp waardeur dit dan deur die aarde verhit word. Warm water word dan weer terug na die oppervlak deur die eerste pyp gevoer om die proses te herhaal.

3.3 Vernaamste probleme met geotermiese energie

- **Die vernaamste probleme** met geotermiese energie is in die eerste plek, dat jy nie te veel koue water in die aarde moet pomp nie, aangesien dit die rotse te veel kan afkoel, wat jou geotermiese bron van hitte afkoel. Tweedens, moet geotermiese kragstasies versigtig wees vir gasse wat kan ontsnap van diep binne die aarde.
- 'n Baie goeie manier van denke oor geotermiese energie is om te onthou dat al ons vastelande lê op gesmelte rots diep binne-in die aarde, hierdie rots produseer gesweisige vlakke van hitte wat ons in staat is om te onttrek, dink net daaraan dat jou nasie op 'n bed van vuur lê.



- Geotermiese energie is een van die mees hernubare energiebronne wat vandag op ons planeet bestaan. Die aarde sal hierdie hitte vir ons leeftyd bevat. Indien hierdie hitte verdwyn, sal ons planeet te koud word vir ons om te oorleef.



3.4 Voordele van geotermiese energie

- Die eerste voordeel van die gebruik van geotermiese hitte om 'n kragstasie aan te dryf is dat, in teenstelling met die meeste kragsentrales, 'n geotermiese stelsel nie enige besoedeling veroorsaak nie. Dit kan af en toe sommige gasse van diep binne die aarde vrylaat wat in 'n mindere mate skadelik is, maar dit kan baie maklik beheer word.
- Die koste van die grond om 'n geotermiese kragstasie op te bou, is gewoonlik goedkoper as wanneer jy beplan om 'n, olie, gas, steenkool, of kernkragentrale te bou. Die belangrikste rede hiervoor is ruimte. Geotermiese kragstasies neem baie min ruimte, sodat jy nie nodig het om 'n groot hoeveelheid grond aan te koop nie.
- Nog 'n faktor is dat omdat geotermiese energie baie skoon is, ontvang jy belastingkortings, en / of geen omgewingsrekeninge of kwotas om te voldoen aan die land se koolstof uitlaatgasskema nie (as hulle een het).
- Geen brandstof word gebruik om die krag op te wek wat in ruil, beteken dat die bedryfskoste vir die stasie baie laag is omdat daar geen koste vir die aankoop, vervoer, of opruiming van brandstof wat jy oorweeg om te koop om krag mee op te wek nie.
- Die algehele finansiële aspek van hierdie kragstasies is uitstekend, jy hoef net krag aan die waterpompe te voorsien, wat in elk geval deur die kragstasie self gegenereer word.

3.5 Nadele van geotermiese energie

- Geotermiese hitte word vanuit diep binne die aarde se oppervlak onttrek, en dit is die grootste nadeel met betrekking tot die vind van 'n geskikte plek om die kragstasie te bou,
- Daar is 'n paar ander beslissende faktore wat 'n ingenieur kan oortuig om 'n ander tipe hernubare energie kragstasie op 'n ander plek te bou. Bv 'n windturbine.
- So, het ons vasgestel dat die grootste nadele van die bou van 'n geotermiese energie kragstasie hoofsaaklik in die eksplorasië-fase lê. Tydens eksplorasië, sal navorsers 'n grondopname doen (wat 'n paar jaar kan vat om te voltooi) en dan hul bevindings aan die maatskappy voorle wat hulle gekontrakteer het om die opname te doen.
- Baie maatskappye wat opnames doen word dikwels teleurgestel,
- omdat die grond wat hulle in belangstel, nie 'n geotermiese energie kragstasie kan ondersteun nie. Om die hitte te onttrek moet ons sekere warm punte binne die aarde se kors vind, dit is baie algemeen rondom vulkane en breeklyne, maar wie wil nou 'n geotermiese energie kragstasie langs 'n vulkaan bou?
- Sommige gebiede kan voldoende warmrotse hê om warm water te voorsien aan 'n kragstasie, maar wat as hierdie gebiede geleë is in ongure dele van die wêreld (naby die pole) of hoog in berge. 'n Paar goed bewese liggings is in Nieu-Seeland, Ysland, Noorweë en Swede gevind.
- Die vrae wat gewoonlik tydens 'n opname gevra word is; is die rots sag genoeg om te boor, bevat die diep rotse genoeg hitte, sal hierdie hitte volhoubaar wees vir 'n aansienlike tyd, is die omgewing geskik vir 'n kragstasie. Indien die antwoord op hierdie basiese vrae ja is, moet 'n meer in diepte ondersoek voortgaan.



- Nog 'n groot nadeel van geotermiese energie onttrekking is dat in baie gevalle 'n area wat vir baie jare stoom geproduseer het skielik laat ophou om stoom te produseer. Dit kan gebeur en kan vir ongeveer 10 jaar in sommige gevalle aanhou.
- Ontwikkelaars van sulke areas moet versigtig wees en bewus daarvan wees dat skadelike gasse in sommige gevalle deur die gate wat deur die kontrakteurs geboor is kan ontsnap van diep binne die aarde. Die kragstasie moet in staat wees om enige uitgelekte gasse in te perk. Om veilig ontslae te raak van die gas kan baie moeilik wees.



4.BIO- ENERGY

4.1 Wat is biobrandstof?

- Biobrandstof of bio-organiese brandstof is enige plant of diermateriaal wat verbrand kan word en gebruik word as 'n brandstof. Biobrandstof is een van die nuwe reeks hernubare energiebronne in die wêreld.
- So, wat is die **voor-en- nadele** van biobrandstof?
- Motivering vir hernubare brandstof ontwikkeling
- Petroleum is 'n beperkte hulpbron wat vinnig opraak. Van die wêreldwye totale oorblywende petroleumreserwes van ongeveer 1.277.702.000.000 vate (ongeveer een helfte van die oorspronklike reserwes) en 'n wêreldwye gebruikskoers van 25000000000 per jaar. Daar word voorspel dat slegs sowat 50 jaar se petroleum reserwes oorbly teen die huidige verbruikskoers.
- Petroleum is noodsaaklik vir die volgende industrie: brandstof (huis verwarming, vliegtuigbrandstof, petrol, diesel, ens) vervoer, landbou, farmaseutiese, plastiek / gom, mensgemaakte vesel, sintetiese rubber, en plofstof.
- As die moderne wêreld steeds afhanklik is van petroleum as 'n bron van energie, kan die prys van ru-olie aansienlik verhoog, en wêreldwyd ekonomiese destabiliseer
- Hernubare brandstofaandrywers sluit in: hoë oliepryse, handelswanbalans, onstabiliteit in olie uitvoer streke, die potensiaal vir meevaller winste vir boere en nywerhede, vermyding van ekonomiese depressie, vermyding van skaarsheid van produkte te danke aan 'n vlugtige 'piek- olie " senario wat na verwagting so vroeg as 2021 sal begin, ^[1] (alhoewel piek-olie nie 'n nuwe idee is nie) en 'n verlangsaming van aardverwarming wat aanleiding kan gee tot 'n ongekende verandering van die klimaat .
- Verder het die wereldwye debat oor klimaatsverandering, saam met die plaaslike geopolitieke onstabiliteit, nasies uitgedaag om op te tree en beide alternatiewe en koolstof-neutrale energiebronne te ontwikkel.
- Hernubare brandstof is dus besig om aantreklik te raak vir baie regerings, wat volhoubare energie-onafhanklikheid sien as die begin van 'n waardevolle bate.

4.2 Vervaardiging van biodiesel uit plantaardige olies soos soja, canola, sonneblom, alge of diervette, behels die basis-gekateliseerde **transesterifikasie van vetsure** met metanol of etanol om die ooreenstemmende methyl esters of ethyl esters te gee.

4.3 Voordele van biobrandstof

- Die grootste voordeel wat biobrandstof het oor ander energiebronne is die koste faktor. Met die toenemende pryse van ru-olie, bied biobrandstof 'n goedkoper oplossing vir ons energiebehoefte. Een van die vernaamste redes vir hierdie lae koste is dat biobrandstof gemaak is van plant-en diere-afval.
- Bio-afbreekbaar en bereken nie skade aan die omgewing as dit verbrand word nie.
- Hulle is ook relatief baie minder besoedelend. Minder koolstofvrystellings beteken dat hierdie brandstof omgewingsvriendelik is wat die wêreld vandag benodig.
- Vir konvensionele brandstof neem dit jare om te hergenereer, terwyl daar geen so 'n probleem is vir biobrandstof nie.
- Vereis nie enige radikale veranderinge om oor te skakel na die gebruik van biobrandstof - in teenstelling met die probleme in die oorskakeling na ander hernubare energiebronne soos son-en windkrag.
- Is 'n hernubare bron van energie want jy kan net aanhou om meer te produseer.
- Etanol is baie goedkoop om te vervaardig.
- Kan enjinklop help voorkom.



4.4 Nadele van biobrandstof

- Lae-energie-produksie van die brandstof. Onsekerheid het ontstaan of biobrandstof ooit in staat sal wees om die konvensionele brandstof te vervang, omdat kritici argumenteer dat dit nie die hittekapasiteit het om dit te doen nie.
- Ook, as gevolg van die nuwigheid, is die produksiekoste van die brandstof baie hoog op die oomblik.
- Ook, is sekere voedselgewasse soos mielies nodig om dit te maak wat kan lei tot 'n wanbalans.
- Daar is 'n groot hoeveelheid water benodig, wat die plaaslike waterhulpbronne kan beïnvloed.
- Die meer grond wat benodig word vir gewasproduksie vir biobrandstof, sal meer habitate verlore laat gaan vir diere en wilde plante.
- As biobrandstof winsgewend vir boere raak, kan hulle gewasse vir biobrandstof groei in plaas van voedsel produksie.
- Minder voedsel produksie sal verhoogde pryse veroorsaak en sodoende 'n styging in inflasie.

4.5 Die volgende alternatiewe brandstof word verkry van plantaardige oorsprong.

a. Ethanol

Gemaak deur fermentasie en dan 'n distillering van stysel en suikergewasse soos mielies, sorghum, aartappels, koring, suikerriet, mieliestoppels, vrugte of groente afval.

b. Metanol (metiel alkohol)

Is 'n alternatiewe brandstof gemaak van houtagtige plantvesel, steenkool of natuurlike gas, maar dit word hoofsaaklik gebruik as 'n aanvulling tot petrol. Dit kan geoes word uit metaangas in stortingsterreine en in gefermenteerde afvalprodukte soos riool en mis.

Suiwer metanol word nie verkoop as 'n alleenstaande motorbrandstof nie, hoewel dit in sy suiwer vorm algemeen gebruik word as motorwedrenbrandstof

Voordele van metanol

- Dit bied laer uitlaatgasse en hoër voertuigprestasie.
- Dit kan maklik in waterstof gemaak word, wat 'n belowende toekoms bied vir gebruik in metanol direkte brandstofselle.
- Metanol het 'n laer vlambaarheidsrisiko as petrol.
- **Metaangas** van aardgas of stortingsterreine



HOOFSTUK 4

VAARDIGHEDE EN KONSTRUKSIEPROSESSE

SWEIS

MIG/MAG SWEISING

(MIG = Metaalinertgas) (MAG = Metaalaktiewegas)

1.MIG/MAG Voordele

- Hoër sweisspoed
- Groter neerlegging tempos
- Minder skoonmaak na sweising (bv. geen slak om af te kap)
- Beter sweispoel sigbaarheid
- Geen stomp einde verliese of verlore man-ure wat veroorsaak word deur die verandering van elektrodes
- Lae vaardigheidsfaktor vereis om MIG / MAG sweisspuitstuk te bedryf
- Posisionele sweising bied geen probleme in vergelyking met ander prosesse. (Gebruik dip of puls oordrag tegniek)
- Die proses is maklik geoutomatiseer
- Geen vloeimiddels in die meeste gevalle vereis
- Ultra lae waterstof proses

2.MIG/MAG Nadele

- Hoër aanvanklike koste
- Atmosfeer rondom die sweisproses moet stabiel wees (vandaar die beskermende gasse), dus is hierdie proses beperk tot windstil omstandighede of geen lug wat trek
- Hoër onderhoudskoste te danke aan ekstra elektroniese komponente
- Die instelling van die masjiënveranderlikes vereis 'n hoë vlak van vaardigheid
- Minder doeltreffend waar hoë dienssiklus vereistes nodig is
- Bestralingseffekte is meer ernstig



3.MIG/MAG Sweising - Algemeenste sweisdefekte

Hier is die mees algemeenste defekte/foute met 'n paar van die mees waarskynlikste oorsake

DefectDefekte Defekte	Probable CauseWaarskynlike oorsaak
PorosityPoreusheid	-Gas flow too low or too high -Gasvloei te laag of te hoog -Blocked nozzle -Geblokkeerde mondstuk -Leaking gas lines -Lekkende gaspyp -Draughty conditions -Trek in die vertrek -Nozzles distance from work is too great - Afstand tussen spuitstuk en die werkstuk is te groot -Painted, wet or oily plate -Geverfde, nat of olierige plaat -Wet or rusty electrode/wire -Nat of verroesde elektrode / draad
Lack of penetrationGebrek aan penetrasie	-Current too low -Stroom te laag -Preparation too narrow -Voorbereiding te smal -Root face too large -Wortelgesig te groot -Root gap too small -Wortelgaping te klein -Worn contact tip causing irregular arc -Verslete kontakpunt veroorsaak onreëlmatige boog -Incorrect alignment of plates -Verkeerde opstelling van die plate
SpatterSpat	-Inadequate inductance -Onvoldoende induktansie -voltage too low -Spanning te laag -Rusty or primed plate -Geroeste plate
UndercutInkarteling/ insnyding	-Speed too fast -Te vinnige spoed -Current too high -Stroom te hoog -Poor technique -Swak tegniek
Lack of fusionGebrek aan samesmelting	-Voltage too low -Spanning te laag -Current too low or too high -Stroom te laag of te hoog -Irregular surface -Onreëlmatige-oppervlak -Wrong torch angle -Verkeerde spuitstukhoek
CrackingKrake	-Inadequate pre-heat on high tensile and low alloys -Onvoldoende voorverhitting -Incorrect composition of electrode -Verkeerde samestelling van elektrode -Root pass too small in restrained joint -Wortelgaping te klein in las -Spray transfer welding with current too high -Sproei dra sweis oor met stroom te hoog -Deep narrow weld bead (with centre line cracking) -Diep smal sweiskraal (met middellyn krake) -Inadequate filling of crater -Onvoldoende vulling van krater

4.GIDS TOT MIG-SWEISING

Dit is 'n basiese gids oor hoe om te sweis met behulp van 'n metaalinertgassweismasjien (MIG). MIG sweiswerk is die proses waar elektrisiteit gebruik word om twee stukke metaal te smelt en saam te voeg.

MIG-sweising word algemeen beskou as een van die maklikste tipe sweis om te leer. Sweiswerk is 'n vaardigheid wat ontwikkel moet word met verloop van tyd, met 'n stuk metaal voor jou, geskikte beskerming en 'n spuitstuk in jou hand.





5. WAT IS MIG-SWEISING?

MIG-sweising is ontwikkel in die 1940's en 60 jaar later is die algemene beginsel nog baie dieselfde. MIG-sweising gebruik 'n boog van elektrisiteit om 'n kortsluiting tussen 'n aangevoede anode (+ die draad gevoerde spuitstuk) en 'n katode te skep (- die metaal wat gesweis word).

Die hitte wat deur die kortsluiting, saam met 'n nie-reaktiewe (onaktiewe) gas smelt die metaal plaaslik en laat hulle toe om te meng. Sodra die hitte verwyder word, begin die metaal om af te koel en te stol, en vorm 'n nuwe stuk saamgesmelte metaal.

'n Paar jaar gelede het die naam - Metaal ingevoegde gassweis (MIG) verander na Gas Metaal Boog Sweis (GMBS), maar as jy dit noem sal die meeste mense nie weet waarvan jy praat nie- die naam MIG sweising het dus gebly.

MIG-sweising is nuttig, want jy kan dit gebruik om 'n groot verskeidenheid en tipes metale te sweis: koolstofstaal, vlekvrystaal, aluminium, magnesium, koper, nikkel, silikon brons en ander metale.

6. Hier is 'n paar voordele van MIG-sweising:

- Die vermoë om 'n wye verskeidenheid metale en diktes te las
- Vermoë om in alle sweisposisies gebruik te word
- 'n Goeie sweispoel/kraal
- 'n Minimum van sweisspatsels
- Maklik om te leer

7. Hier is 'n paar nadele van MIG-sweising:

- MIG sweiswerk kan slegs gebruik word op dun tot medium dik metale
- Die gebruik van 'n onaktiewe gas maak hierdie tipe sweiswerk minder draagbaar as boogsweis wat geen eksterne bron van afskermende gas vereis nie.
- Produseer 'n minder beheerde sweis as in vergelyking met TIG (TIG Tungsteninertgassweising)

8. HOE WERK DIE MIG SWEISMASJIE?

'n MIG sweismasjien het 'n paar verskillende dele. As jy die masjien oopmaak sal jy in staat wees om iets soos in die foto's hieronder te sien:



9. Die Sweismasjien

- Binne-in die sweismasjien sal jy 'n MIG draad spoel en 'n reeks rollers sien wat draad na die spuitstuk uitstoot.
- Daar is nie veel wat aangaan in die binnekant van hierdie deel van die sweismasjien nie, so dit is die moeite werd om net 'n minuut te spandeer om jouself vertrouwd te maak met die verskillende dele.
- As die draadvoer vir enige rede blokeer sal jy na hierdie deel van die masjien wil kyk.
- Op groter MIG sweismasjiene sal die draadvoereenheid afsonderlik kan wees soos in die foto's hieronder.
- 'n Sweismasjien met 'n interne voermeganisme is algemeen bekend as 'n kompakte MIG sweismasjien.
- Die groot spoel van die draad moet vasgehou word met 'n spanningsmoer.
- Die moer moet styf genoeg wees om die spoel te weerhou van ontrafeling en so oorhardloop te vermy (voëlne) wanneer die sneller vrygelaat word, maar nie so styf dat die rollers nie die draad van die spoel kan trek nie.
- As jy die draad van die spoel kan volg sal jy sien dat dit in 'n reeks rollers gaan wat die draad vanaf die groot rol trek, dit stoot dan die draad tot by die spuitstukpunt gereed vir sweis.

10. Die gasvoorsiening

- Wanneer jy 'n afskermingsgas gebruik met jou MIG sweismasjien sal daar 'n silinder gas agter die MIG wees.
- Dit is of 100% Argon of 'n mengsel van CO₂ en Argon.
- Hierdie gas beskerm die sweislopie soos dit vorm.
- Sonder die gas sal jou sweislasse bruin, gespat en oor die algemeen nie baie mooi lyk nie.
- Maak die hoofklep van die silinder oop en maak seker dat daar gas in is.
- Jou meters moet tussen 0 en 2500 PSI in die tenk lees en die reguleerder moet ingestel word tussen 15 en 25 PSI afhangende van hoe jy dit wil stel en die tipe brander wat jy gebruik.
- Wanneer sweiswerk in gebiede met 'n trek gedoen word moet die gasdruk verhoog word om poreusheid van die sweislas te voorkom.
- Sodra die draad deur die rollers beweeg, word dit deur 'n stel pype tot by die sweisspuitstuk gelei.
- Die pyp dra die gelaaide elektrode en die argon gas.

11. Die sweisspuitstuk

- Die brander is die besigheid van alles.
- Dit is waar die meeste van jou aandag gerig sal word gedurende die sweisproses.
- Die MIG sweisstuk bestaan uit 'n sneller wat die voer van die draad en elektrisiteit kontroleer.
- Die draad word gelei deur 'n vervangbare koperpunt wat vir elke spesifieke sweismasjien gemaak word.
- Die koperpunte wissel in grootte om aan te pas by watter deursnee draad jy mee sweis.
- Hierdie deel van die sweismasjien sal heel waarskynlik reeds opgestel word vir jou.
- Die buitekant van die punt van die sweisspuitstuk word bedek deur 'n metaal kleed/omhulsel wat die elektrode beskerm en gelei die gasvloei na die punt van die snyspuitstuk.

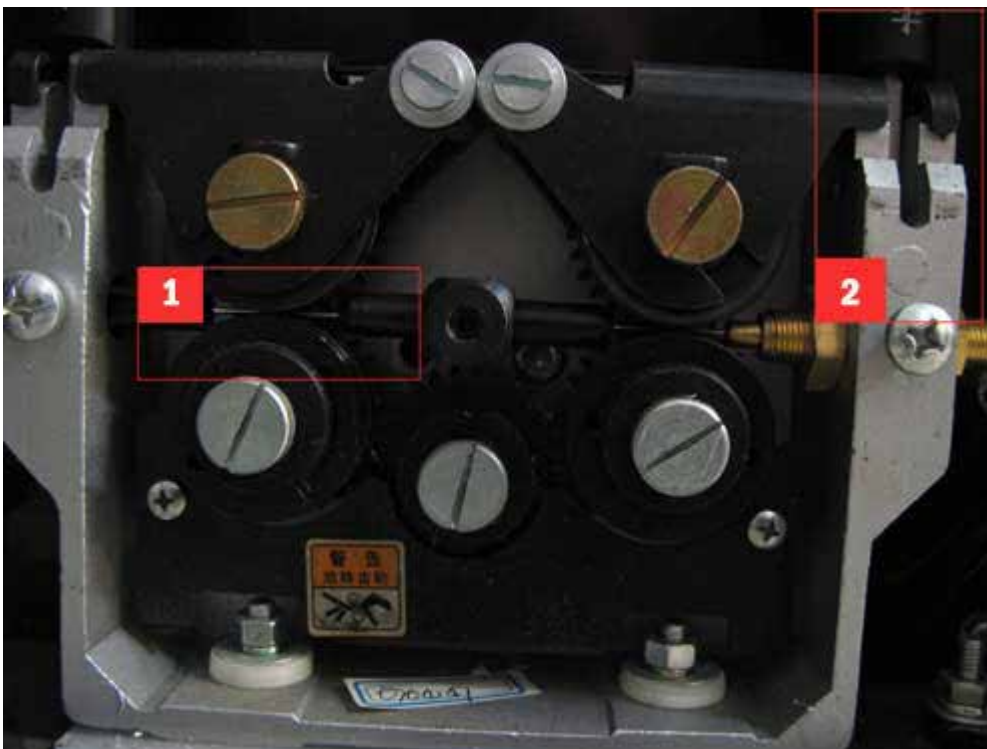


12. Die aardklamp

- Die aardklamp is die katode (-) in die kring en voltooi die kring tussen die sweismasjien, die sweisapparaat en die projek.
- Dit moet óf direk aan die stuk metaal wat gesweis word of aan die metaal sweistafel vasgesit word, soos die een op die foto hieronder.
- Vir die sweismasjien om te werk, moet die aardklamp goeie kontak met die stuk wat gesweis word maak. So maak seker dat jy alle roes of verf wegskuur wat kan verhoed dat die aardklamp kontak maak met die werkstuk.



1. Dit is die draadspoel wat die sweismasjien voed. Die draad kom van die spoel af, word deur die voerder gestoot en hardloop na die sweisspuitstuk.
2. Dit is die rollers wat die draad van die spoel aftrek en na die sweisapparaat stuur.



1. Draad word deur die rollers gevoer
2. Spanning Aanpassing



Klem die negatiewe geleier/aardklamp van die sweismasjien aan jou projek of, in hierdie geval, die sweistafel

13.VEILIGHEIDSTOERUSTING

MIG sweiswerk kan 'n redelik veilige ding wees om te doen solank jy 'n paar belangrike veiligheidsmaatreëls volg. Omdat MIG-sweising baie hitte en baie skadelike lig produseer, moet jy 'n paar stappe neem om jouself te beskerm.

- Die lig wat deur enige vorm van boogsweis gegenerer word, is baie helder. Dit sal jou oë en jou vel brand net soos die son as jy nie jouself beskerm nie. Die eerste ding wat jy sal nodig hê om te sweis is 'n sweishelm . Kyk na die outomatiese verdonkeringsweismasker hieronder. Hulle is regtig nuttig as jy baie sweiswerk gaan doen en is 'n groot belegging as jy dikwels met metaal moet werk. Met handmaskers het jy nodig om jou kop te ruk om die masker in posisie te laat val of vereis dat 'n vryhand gebruik word om die masker af te trek. Outomatiese helms stel jou in staat om albei hande te gebruik, en nie bekommerd te wees oor die masker nie. Dink daaraan om ander om jou te beskerm teen die sweisstrale, deur gebruik te maak van deursigtige sweisskerms. Die lig het 'n neiging om toeskooers te trek wat dalk nodig het om beskerm te word teen die strale se brand.
- Dra handskoene en leer om jouself te beskerm teen gesmelte metaal wat wegspat van jou werkstuk. Sommige mense verkies dun handskoene vir die sweis, sodat jy baie beter beheer kan hê. In TIG sweis is dit veral waar, maar vir MIG sweiswerk kan jy dra waarmee jy gemaklik voel. Die leer sal jou vel beskerm teen hitte en UV-lig wat deur sweiswerk gegenerer word. As jy sweiswerk vir meer as n minuut of twee gaan doen moet jy jou vel beskerm teen die strale, want UV brand gebeur vinnig!
- As jy nie van plan is om leer te dra nie, dra ten minste klere wat van katoen gemaak is.
- Moet nie plakkies of sintetiese skoene met gaas oor die voorkant van jou tone dra nie. Warm metaal val dikwels reguit af en kan gate deur die bokant van jou skoene gebrand.
- Sweis in 'n goed geventileerde area. Sweising produseer gevaarlike dampe wat jy nie moet inasem as jy dit kan vermy nie. Dra óf 'n masker, of 'n respirator as jy vir 'n lang tyd gaan sweis.



14.BELANGRIKE VEILIGHEIDSWAARSKUWING

NB NB NB NB NB MOET NIE GEGALVANISEERDE STAAL SWEIS NIE.

Gegalvaniseerde staal bevat 'n sinklaag en stel n giftige gas vry wanneer dit verbrand word. Die gas veroorsaak kanker. Blootstelling aan die gasse kan tot swaarmetaalvergiftiging (sweis rillings) lei - simptome soos griep kan voortduur vir 'n paar dae, maar dit kan ook permanente skade veroorsaak.

Vuur Vuur Vuur

Gesmelte metaal kan 'n paar meter van 'n sweislas spat. Vonke is nog erger. Enige saagsels, papier of plastieksakke in die gebied kan smeul en brand, so handhaaf 'n netjiese omgewing wanneer jy sweis. Jou aandag sal gefokus wees op sweiswerk en dit sal moeilik wees om te sien wat om jou aangaan as iets aan die brand slaan. Verminder die kans dat dit sal gebeur deur die verwydering van alle vlambare voorwerpe uit jou sweisarea.

Hou 'n brandblusser langs die buitedeur van die werkswinkel. CO2 is die beste tipe vir sweis. Waterbrandblussers is nie 'n goeie idee om in 'n sweiswerkswinkel aan te hou nie omdat jy langs 'n hele klomp elektrisiteit staan.



Handskoene, 'n outomatiese-verdonkeringshelm en 'n geskikte katoen gebaseerde baadjie is noodsaaklik om veilig te wees

15.VOORBEREIDING VIR SWEIS

Voordat jy begin sweis moet jy seker maak dat beide die sweismasjien en die sweisstuk behoorlik opgestel is.

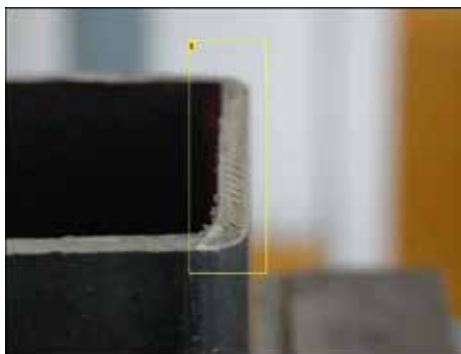
Die Sweismasjien

- Kyk om seker te maak dat die klep van die afskermingsgas oop is en dat daar 14 Kpa deur die reguleerder vloei.
- Die sweismasjien moet aangeskakel wees, die grondaardklamp aan jou sweistafel of direk op die metaal gekonnekteer en die regte kombinasie van sweiskrag en draadvoerspoed.

Die Metaal

- Jy sal nie goeie resultate kry as jy net die MIG sneller druk en sweis nie.
- As jy wil hê dat die las sterk en skoon moet wees, moet jy 5 minute neem om jou metaal skoon te maak en enige rande wegskuur wat jou sweis nadelig kan beïnvloed.
- In die foto hieronder word 'n hoekslyper gebruik om die rand van 'n vierkantbuis skuins te maak voordat dit aan 'n ander stuk vierkantpyp gesweis word.
- Deur die skep van twee skuinstes op die aansluitingskante, maak dit 'n vallei vir die sweisplas om in te vorm.
- Dit is 'n goeie idee om dit te doen vir 'n stuiksweislas (wanneer twee dinge saam gedruk om gelas te word).





Handskoene moet gedra word, maar dit is 'n geposeerde foto op die linkerkant. Die regterhandse foto toon 'n netjiese geslypte rand wat vir jou werk vereis word voor sweising begin.

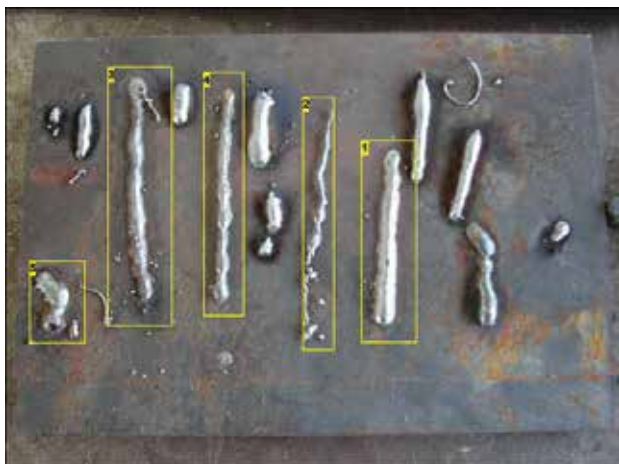
16. LÊ 'N SWEISKRAAL

- Sodra jou sweismasjien opgestel is en jy het jou stuk metaal voorberei is dit tyd om te begin fokus op die werklike sweis
- As dit jou eerste keer is wat jy sweis moet jy dalk oefen met 'n sweislopie voordat die twee stukke metaal saamgesweis word.
- Jy kan dit doen deur 'n stukkie skrootmetaal te neem en 'n sweislas in 'n reguit lyn op die oppervlak te maak.
- Doen dit 'n paar keer voordat jy begin met die eintlike sweiswerk, sodat jy 'n gevoel kan kry van die proses en uit te vind wat die draadspoed en kraginstellings is wat jy benodig.
- Elke sweismasjien is anders, so jy sal hierdie instellings vir jouself moet uitvind.
- Te min krag en jy sal 'n gespatte sweislas hê wat nie sal deurdring in jou werkstuk nie.
- Te veel krag en jy kan regdeur die metaal brand.
- Die foto's hieronder toon 'n paar verskillende sweislopies wat neergelê is op 6mm staalplaat.
- Sommige het te veel krag en sommige kan 'n bietjie minder gebruik. Sien die notas vir die besonderhede.
- Die basiese proses om 'n sweislopie te maak is nie te moeilik nie.
- Jy maak 'n klein zig zag met die punt van die sweisspuitstuk, of konsentriese sirkels bewegende van die bokant van die sweislas afwaarts.
- Dit is 'n "naaldwerk" beweging waar jy die punt van die sweisspuitstuk gebruik om die twee stukke metaal saam te weef.
- Begin eerste deur sweislopies van 25mm tot 50mm lank te sweis.
- Indien enige van jou sweislopies te lank is sal jou werkstuk verhit in daardie gebied en kan verwringing/distorsie van die staal voorkom, so dit is die beste om 'n bietjie sweiswerk in een plek te doen, en dan na 'n ander plek te beweeg, en dan weer terug te kom om die oorblywende stuk te voltooi.

17. Wat is die regte verstellings?

- As jy gate in jou werk ervaar is jou kragverstelling te hoog en is jy besig om deur jou sweislas te smelt.
- As jou sweising onegalig is, is jou draadspoed of kraginstellings te laag.
- Jy sal weet wanneer die instellings reg is, jou sweislas sal mooi en glad lyk.
- Die gehalte van die sweislas hang ook baie af van die klank van die sweisproses
- Jy wil 'n deurlopende vonkende geluid hoor.
- Sommige sweisoperateurs sê dit klink soos 'n eier wat bak!





Prent Notas

1. Hierdie instellings is redelik goed.
2. Nie genoeg krag nie, nie genoeg draadvoer.
3. Goeie draadvoer, nie genoeg krag.
4. Dit neem 'n rukkie om vertrou te raak, moenie bang wees om 'n toetsweislas te maak om 'n gevoel daarvoor te kry nie.



Prent Notas

- Dit is soortgelyke krag en toevoerstellings, maar getoets op 'n baie dunner staal plaat.
- Soos jy kan sien het die sweis baie diep ingedring en het die plaat begin vervorm.
- Jy kan karteling aan die rand van die plaat sien





Prent Notas

Te veel krag het 'n gat in die metaal gebrand.

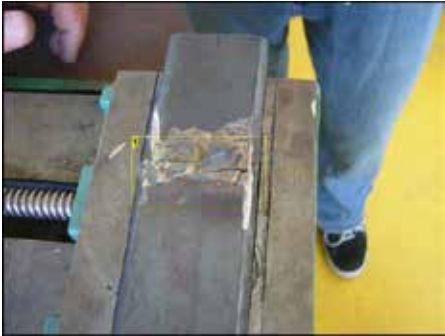
18.SWEIS VAN METAAL

- Sodra jy jou metode getoets het op 'n stukkie afvalmetaal, is dit tyd om die werklike las te doen.
- In hierdie foto word 'n eenvoudige stuikswelas op vierkantige buisstaal uitgebeeld.
- Ons het reeds die kante wat gesweis gaan word afgeskuins sodat die naat waar hulle ontmoet 'n klein "v" maak.
- Ons moet basies net die sweismasjien vat en 'n sweiende beweging oor die bokant van die naat maak.
- Dit is ideaal om van die onderkant van die sweislas tot by die top te sweis, Stoot die sweislas vorentoe met die punt van die spuitstuk, maar dit is nie altyd 'n gemaklike of goeie manier om te leer sweis nie.
- In die begin is dit heeltemal reg om te sweis in watter rigting / posisie vir jou die gemaklikste is.
- Sodra ons die pyp klaar gesweis het is daar 'n groot bult waar die toegevoegde draad geeindig het.
- Jy kan dit net so los of jy kan dit plat slyp, afhangende van wat jy met die metaal gaan maak.
- Sodra ons die metaal plat geslyp het sien ons dat die sweislas die metaal aan die een kant nie behoorlik ingedring het nie. (Sien foto 3).
- Dit beteken dat ons meer krag en meer draad moet gee om die sweislas op te vul.
- Ons moet teruggegaan en die sweis oordoen sodat die metaal behoorlik verbind is.



Prent Notas

- Dit was ons eerste probeerslag.
- Nie 'n slegte sweislas, maar ons kon waarskynlik 'n bietjie meer gas en 'n bietjie minder krag gebruik het.
- Dit sweislas het redelik diep gepenetreer.



Prent Notas

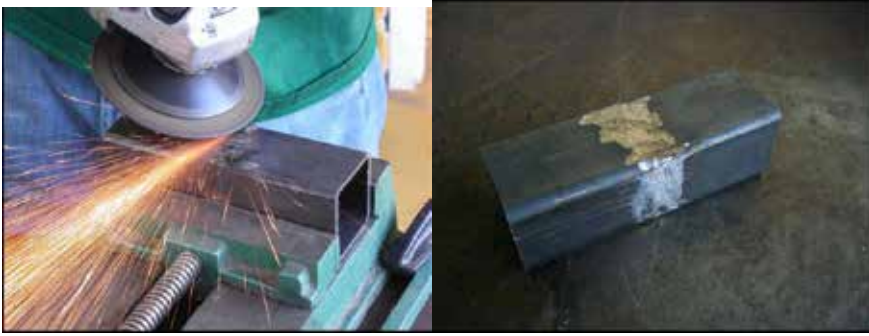
- Hierdie kant van die vierkant staalbuis is nie met genoeg krag gesweis nie, want die las het nie al die pad deurgedring nie.
- Let op na die blou kleur van die metaal rondom die naat.
- Dit beteken dat ons die hoekslyper geforseer het toe ons die sweis afgeslyp het.
- Onthou om die skyf aan die beweeg te hou en die drang om hoeke te probeer sny terwyl jy slyp te weerstaan.
- Dit is soms 'n stadige proses wat geduld vereis.

19.DIE SLYP/SKUUR VAN 'n LAS

- Jy is klaar met jou sweis as jou sweis op 'n stuk metaal is wat nie sal wys, of as jy nie sal omgee oor hoe die sweis lyk nie,
- Maar, as die sweis wys of jy sweis iets wat jy mooi wil laat lyk, dan sal jy waarskynlik jou sweislas wil afslyp en glad afskuur.
- Sit 'n slypwiël op 'n hoekslypmasjien en begin om die sweislas te slyp.
- Hoe netjieser jou sweislas hoe minder slypwerk het jy nodig. en nadat jy 'n hele dag geslyp het, sal jy sien waarom dit die moeite werd is om jou sweislas in die eerste plek netjies te hou.
- As jy 'n ton draad gebruik het en 'n gemors van die las gemaak het is dit goed, dit beteken net dat jy dalk vir 'n rukkie sal moet slyp.
- As jy 'n netjiese eenvoudige sweis het, sal dit nie te lank neem om die sweislas skoon te maak nie.
- Wees versigtig as jy nader aan die oppervlak van die oorspronklike metaal kom.
- Jy wil nie deur jou mooi nuwe sweislas binne in die basismetale slyp nie.
- Beweeg die hoekslypmasjien rond soos jy 'n Sander sou om nie 'n deel van die sweislas of metaal te warm te laat word of weg te slyp nie.
- As die metaal 'n blou skynsel kry is jy besig om te hard met die hoekslypmasjien te druk of jy verskuif die slypwiël nie genoeg nie.
- Dit kan veral maklik gebeur wanneer dun metaalplate geslyp word.
- Slyp van sweislas kan 'n rukkie neem en kan 'n uitgerekte proses wees, afhangende van hoeveel jy gesweis het. Neem 'n breek terwyl jy slyp en bly gehidreer, (slypkamers in die werkwinkel of ateljees is geneig om te warm word, veral as jy leer dra). Dra 'n volle gesigmasker wanneer slyp, 'n masker of respirator en oorbeskerming.



- Maak seker dat al jou klere netjies ingesteeek is en dat daar nie iets ahang van jou liggaam wat in die hoeksyfer gevang kan word nie - dit roteer vinnig en kan jou intrek!
- Wanneer jy klaar is moet jy eindig met iets soortgelyk aan die foto op die regterkant.



20. ALGEMENE PROBLEME

Dit vat baie oefening om elke keer betroubare sweiswerk te doen. So moenie bekommerd wees as jy 'n paar probleme ervaar wanneer jy die eerste keer sweis nie. 'n Paar algemene probleme is:

- Geen of nie voldoende beskermgas van die spuitstuk omring/beskerm die sweislas. Jy weet wanneer dit gebeur, want die sweislas sal 'n bietjie metaalballetjies spat, en sal nare bruin en groen kleure wys. Jy sal ook lugborrels (**poreusheid**) op die bokant van die sweislas sien. Verhoog die gasdruk en kyk of dit help.
- **Sweislas penetreer nie.** Dit is maklik om vas te stel aangesien jou sweislas swak sal wees en jou twee stukke metaal nie voldoende gelas sal wees nie. Probeer meer krag en draadspoed.
- **Sweisboog brand 'n gat reg deur jou metaal.** Dit word veroorsaak deur met te veel krag te sweis. Stel eenvoudig jou sweiskrag laer om dit te verhoed.
- **Te veel metaal in jou sweiskraal** of die sweis is slordig (soos pap). Dit word veroorsaak deur te veel draad te voer en kan reggestel word deur jou draadspoed te verlaag.
- **Swak sweispenetrasie**, wisselvallige sweising. Gaan toestand van die aardklamp na en verseker dat waar dit aan die tafel of werkstuk geklamp is geen roes/verf is nie. As aardklamp tekens toon van oorverhitting moet 'n nuwe klamp of geleier geïnstalleer word.
- **Spuitstuk spoeg en verskaf nie 'n konstante las.** Dit kan veroorsaak word as gevolg van die sweis-spuitstuk wat te ver van die sweislas gehou word.
- Jy moet die punt van die sweis-spuitstuk 6 tot 12mm van die sweislas hou.

21. DRAAD SWEIS/SIT AAN DIE PUNT VAS/ RUIL DIE PUNT

- Soms wanneer jy te naby aan jou materiaal sweis of jy te veel hitte laat opbou kan die vullerdraad aan die voorkant van die sweis-spuitstuk vasbrand.
- Dit lyk soos 'n klein stukkie metaal op die punt van jou spuitstuk en jy sal weet wanneer jy hierdie probleem het, want die draad sal nie loskom van die spuitstuk nie.
- Regstel van hierdie probleem is redelik eenvoudig. Jy trek net aan die stukkie metaal met 'n tang.
- Sien foto's hieronder.

As jy die punt van jou sweisspuitstuk skroei en gesmelte metaal die gat van jou koperkontakpunt blokeer, moet jy die sweismasjien afskakel en die sweispunt vervang.





Volg die reeks foto's hieronder om te sien hoe dit gedoen word:



1. Toegesmelt



2. Draai die brandervoering Die punt is los

3. Draai die beskadigde koperkontakpunt los

4. Skyf 'n nuwe punt in sy plek

5. Skroef die nuwe punt vas

6. Plaas die brandervoering terug



22.HIERONDER IS 'N PAAR KENMERKE GEVIND OP GEVORDERDE MIG SWEISMASJIENE MET HULLE VERDUIDELIKINGS

Boogkrag

Dit beheer die penetrasie van die sweis via 'n kontroleknop op die masjien (Op ouer masjiene was hierdie bekend as wurg, jy kon 2-3 verbindings vir die aardkabel hê)

Lae verstelling = Minder penetrasie en lae spatting, gebruik vir dunner materiale. Dit help regtig by sweis van motorbakwerke! Hoë verstelling = Hoë penetrasie en meer spatting (strawwer sweis), word gebruik vir dikker materiale.

Punt/Kolsweising

Hiermee verstel jy die tydsduur wat die masjien sal sweis wanneer sneller gedruk word. As jy die sneller druk sal 'n kolsweising uitgevoer word en dan sal die masjien tot stilstand kom, druk die sneller weer en 'n ander kolsweising sal geproduseer word.

Steekweising

Dit is soortgelyk aan kolsweiswerk, maar met die toevoeging van 'n steek tyd waar die interval tussen kolle bepaal word. So as jy op die sneller druk sal 'n kolsweis gedoen word, soos gestel deur die sweismasjien se beheerknop, dan 'n vertraging wat deur die steekbeheerknop gestel word en daarna weer 'n ander kolsweis, dit sal aanhou totdat die pistool se sneller gelos word.

Stoot trek spuitstuk

Dit is 'n MIG spuitstuk wat vir aluminium sweis gebruik word. Die spuitstukkop het 'n paar rollers gedryf deur 'n motor wat die draad trek sowel as die MIG sweismasjienroller stelsel wat die draad deurstoot. Dit verseker korrekte draadvoer van die sagter allooidraad en verhoed vertraging en draadvoerprobleme. Word algemeen gebruik vir die produksie van aluminium MIG sweis.

Sagte begin

Wanneer die sneller gedruk word kom die draad stadig uit die spuitstuk (stadiger as die gestelde draadvoerspoed), wanneer die draad aan die werkstuk raak begin die boog. Die masjien neem dit waar en verhoog die draadtoevoer tot die voorafgestelde spoed. Dit kan die sweis-spuitstuk ruk aan die begin van 'n sweislas en lewer ook 'n beter sweisbegin.

23. Draadtolvoermeganisme

Kleiner en selfdoen masjiene kom gewoonlik met 'n 2-rol voerstelsel, dit bestaan uit 'n onderste roller met groewe in en 'n boonste druk roller wat plat is en plaas druk op die draad met behulp van die spanningsmeganisme wat die draad voer wanneer die rollers draai.

'n 4-Rol stelsel het twee onderste rollers en twee boonste rollers wat 'n meer stabiele draadtoevoer gee en is beter om sagter legeringsdrade mee te voer as 'n 2-rol-stelsel. Sommige MIG sweismasjiene het ook geratte 4-roll stelsels wat help om draadvoerspoed met groot akkuraatheid te reguleer en lei tot buitengewoon gladde sweislasse. Die foto's wys 'n 4-roll rataangedrewe weergawe.



24. KORTVRAE

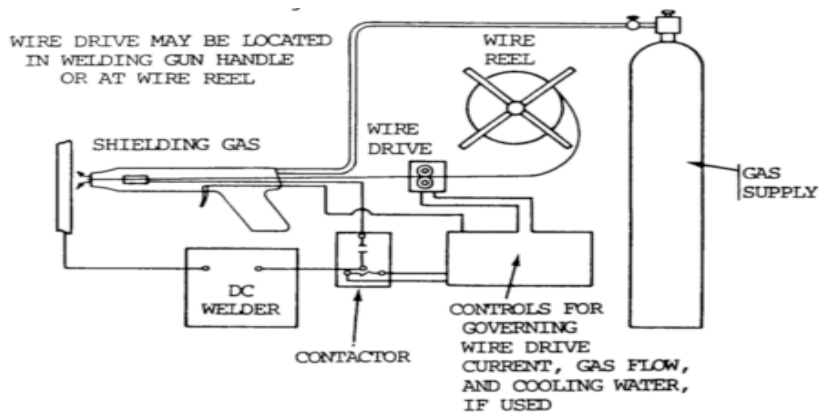


Figure 10-45. MIG welding process.

1. Gee 'n kort beskrywing van wat MIG-sweising is.

Dit is 'n boogswaisproses waar individuele verbruikbare elektrodes (standaard sweisstafies) vervang word deur deurlopend gevoerde draad, en die elektrodesmeltmiddel vervang word met 'n bygevoegde gaskerm.

2. Noem die drie soorte gas wat in MIG-sweising gebruik word?

Argon, helium en koolstofdoksied CO_2 .

CO_2 of 'n CO_2 /argon-mengsel kan gebruik word om sagte staal te sweis.

3. Watter tipe stroom gebruik hierdie proses?

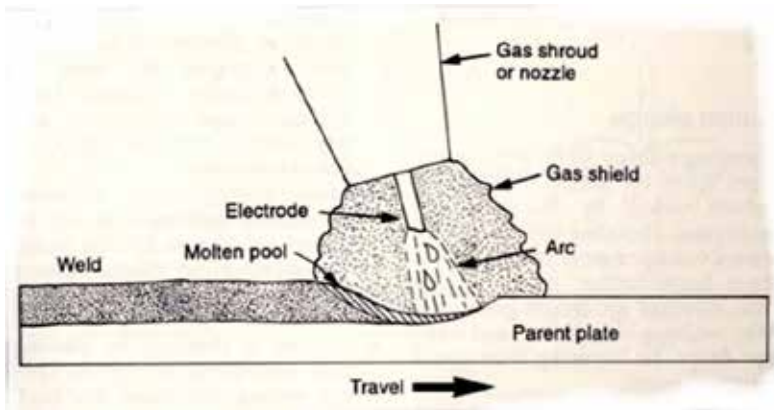
Gelykstroom (GS)

4. Noem die voordele van MIG-sweising bo die van gewone boogswais.

- Uitstekende samesmelting en penetrasie.
- Hoe sweisspoed. Vinniger
- Proses verg min handvaardigheid.
- Die sweisarea is makliker sigbaar.
- Geen swaar slak wat mens moet beheer of wegkap; saamgeperste gas seël die sweiskraal.
- Potensieel goedkoper.
- 'n Wye verskeidenheid metaaldiktes kan daarmee gesweis word.
- Sweisdraad is afkomstig van 'n spoel en hoef nie gereeld vervang te word nie.
- Besparing op materiaal en gewig.
- Meganiese eienskappe van sweislas is hoog.
- Netjies en gladde soomoppervlakte
- Gewaarborgde sweissterkte met wortel en stapelsweising.
- Veiligheid teen koue en krake
- Kan enige sweis metode gebruik. Vertikaal op, af en oorhoofs.



5. Maak 'n skets van die MIG-sweisproses en beskryf kortliks.



Byskrifte

Sweislas/Naat

Gesmelte poel

Elektrode

Gasomhulsel of spuitstuk

Gasskerm

Elektriese boog

Werkstuk of plaat

Beweegrigting/Werksrigting

6. In watter rigting moet 'n mens met MIG-sweising werk?

Stoot in die rigting van beweging met 'n 80° hoek is die beste, maar 'n mens kan ook die sweis-spuitsuk trek.

7. Die foto hieronder toon die spuitstuk van 'n MIG-sweismasjien



7.1 Verskaf die naam van deel A en gee die funksie daarvan.

Vullerdraad. Hierdie draad smelt om die las te vorm tussen die twee dele wat jy wil las.



7.2 Wat verskaf die skerm wat die sweisarea beskerm teen suurtof gedurende die sweisproses?

Skermgas. CO².

7.3 Onderdeel A smelt soms vas aan onderdeel B. Gee 'n rede hiervoor en voorsien 'n moontlike oplossing vir die probleem.

Die vullerdraad raak te kort en brand aan die koperkontakpunt vas.

Wikkel die draad los met 'n tang en gebruik 'n teenspat middel.

7.4 Gee die naam van onderdeel B.

Koper Kontakpunt.

7.5 Verskaf enige TWEE veiligheidsreëls wanneer met 'n MIG sweisapparaat gesweis word.

- a) Gebruik 'n sweishelm
- b) Beskerm jou lyf deur 'n leervoorskoot en leerhandskoene te dra.

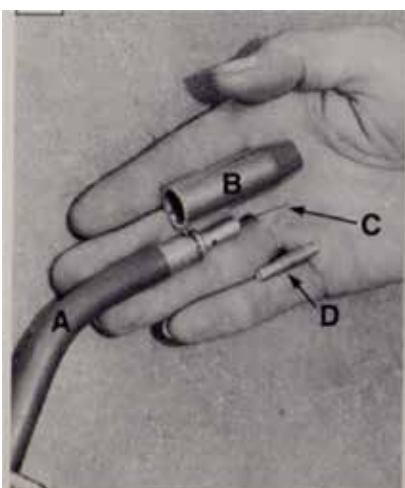
7.6 Identifiseer die energiebron vir hierdie tipe sweis.

Elektrisiteit.

7.7 Gee DRIE tipes metaal wat suksesvol met hierdie sweisapparaat gesweis kan word.

- Hoë legeringsstaal
- Aluminium
- Sagte staal

8. Skets van die punt van 'n MAG sweisspuitstuk/pistool.



2.3 Shield gas flows from the gun (A) before passing through the nozzle (B), and then to the weld area. Filler wire (C) is fed to the weld pool mechanically via the torch liner, picking up electrical energy from a copper contact tip (D) as it leaves the gun.



3. Beskryf die proses van oorhoofse sweiswerk.

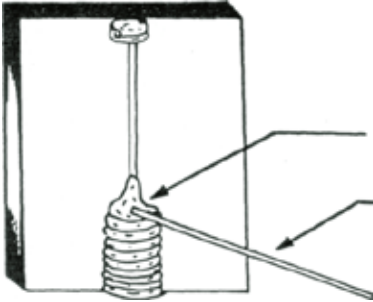
Gassweis

- Vereis 'n verlaagde smeltpoel, groot genoeg om die verlangde penetrasie te skep
- Gedoen deur die grootte van die vlam te verminder
- Of die gebruik van 'n effens dikker sweisstafie
- Krag van die vlam sal jou help om die gesmelte metaal in posisie te hou.

Boogsweis

- Gebruik 'n boog so kort as moontlik.
- Sweis 'n aantal lopies sonder enige sywaartse beweging.
- Wanneer gesmelte metaal begin drup, moet die ampère effens verminder word.
- Beweeg elektrode effens vinniger.
- Hou elektrode in dieselfde posisie as in verhouding tot basismetalaal.

2. Beskryf die proses van vertikaal opwaartse boogsweis



Boogsweis

- Sweis opwaarts in 'n vertikale posisie kan 'n probleem wees want die gesmelte metaal van die sweispoel is geneig om af te hardloop of te drup.
- Spesiale elektrodes word gebruik vir vertikale opwaartse sweising met 'n boogsweismasjien. Dit maak die proses makliker omdat dit vinniger vries.
- Ampère kan effens verlaag word vanaf die normale onderhandse verstelling.
- Punt van die elektrode moet opwaarts wys, sodat die elektrode 'n hoek van tot 30 ° met die horisontale vlak maak.
- Boog moet kort wees en die spoed net genoeg om die gesmelte metaalpoel te verhoed om af te hardloop
- Wanneer opwaarts gesweis word moet baie min sywaartse bewegings van die elektrode gemaak word

3. Noem die verskillende tipes sweisbewegings wat vir vertikale sweislopies gebruik word.

- Figuur 8 lopies.
- U-lopies.
- Sig-sag lopies.
- Driehoek-lopies.

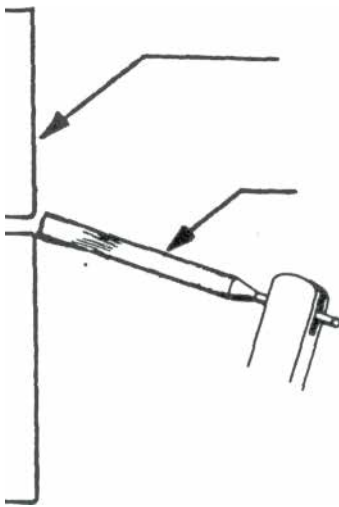


4. Wanneer word die horisontaal vierkantige stuikswelas gebruik?

Die horisontaal vierkantige stuikswelas word gebruik wanneer twee stukke metaal van minder as 6 mm in dikte, in 'n regop posisie een bo die ander, saamgesweis word.

5. Beskryf die proses van hoe 'n horisontaal vierkantige stuikswelas gesweis word

- Puntsweis die voorbereide werkstukke saam. Leun die elektrode in die rigting van beweging en wys dit effens opwaarts.
- Slaan 'n boog en maak 'n sweislopie op die naat.
- As die krag van die boog neig om in die werkstuk te sny op die boonste deel van die kraal (Inkarteling), moet die booglengte verkort word en die opwaartse hoek van die elektrode verhoog word totdat 'n normale kraal vorm.
- Dit mag soms nodig wees om die ampère verstelling te verlaag om beter beheer oor die vloeï van die metaal te gee.
- Kap die slak af wanneer die sweislas voltooi is en inspekteer die sweiskraal



6. Wat moet in gedagte gehou word wanneer pype gesweis word?

Wanneer 'n pyp gesweis word verander die sweisvlak gedurig soos die sweisoperateur met die sweislopie om die pyp vorder.

7. Noem die drie pypsweis posisies.

- Horisontale vaste (statiese) posisie.
- Horisontale beweegbare of rolbare posisie.
- Vertikale posisie.

8. Wat moet in gedagte gehou word wanneer gegalvaniseerde metaal gesweis word?

Die galvanisering maak sweising moeilik en dit word aanbeveel dat die galvanisering eers verwyder word voordat daar begin word met die sweislopie.

9. Noem die verskillende pyp-sweislasse.

- Geslote stuiklas, rolposisie
- Oop stuiklas, rolposisie
- Afgeskuinste las, rolposisie
- Stuik en afgeskuinste lasse - vaste posisie



10. Beskryf die prosedure wat jy sal volg om 'n gietysterpot / deel te sweis..

- Gebruik 'n suiwer nikkel sweisstaaf.
- Ampère moet so laag as moontlik gehou word.
- Boog behoort 'n bietjie langer te wees as wanneer sagtestaal elektrodes gebruik word.
- Maak seker dat alle roes, vet, vuil en / of enige ander stowwe wat die las kan verswak, verwyder is voordat met die lasproses begin word.
- Onthou om die oppervlaklaag van die metaal waar die las gemaak moet word, te verwyder.
- Bedek die verdagte area met wit kryt. Vaseline in die krake, sal die kryt grys kleur of 'n nat lyn vertoon.
- Merk die lyn deur middel van 'n prikpons en hamer om te verhoed dat die lyn verdwyn wanneer die V-groef ingesny word.
- Dit is baie belangrik dat die gietyster so koel as moontlik gehou word gedurende die sweisproses.
- Voorverhitting van die gietstuk wat gesweis moet word kan help om te verhoed dat nuwe krake gevorm word
- Gietstuk moet toegelaat word om stadig af te koel na sweising.
- 'n Gietstuk moet nooit in water gedompel word om dit af te koel nie.
- Terwyl 'n lopie toegelaat word om af te koel kan dit liggies getik word met 'n klein hamer. Hierdie aksie help om die spanning rondom die las te verlig.

11. Noem 'n paar punte om te oorweeg wanneer sweiswerk gedoen word..

- Gravitاسie kan veroorsaak dat metaal drup of afloop.
- Hou poel klein.
- Voorkom oorpenetrاسie, (deurbrand).
- Elektrode- grootte speel 'n rol in penetrاسie.
- Stroom speel 'n dominante rol in die sweisproses.
- Oppervlakarea moet deeglik skoongemaak word.

12. Beskryf wat bedoel word met HARDVLAKKING (Hardoplegging)

- Dit is die proses waardeur verslete onderdele weer opgebou word met 'n slytbestande metaal
- Die tipe hardvlakking en die tipe elektrodes wat gebruik word, word bepaal deur die diensvereistes van die betrokke onderdele

13.Noem die soorte slytasie/wegslyting waaraan onderdele onderwerp kan word.

- Metaal teen metaal wrywing/friksie
- Ernstige stampe of skokke van metaal teen klip
- Afskawing/skraap plus skokke of stampe
- Ernstige skraping/skawing

14.Beskryf die Hardvlakkingsproseses.

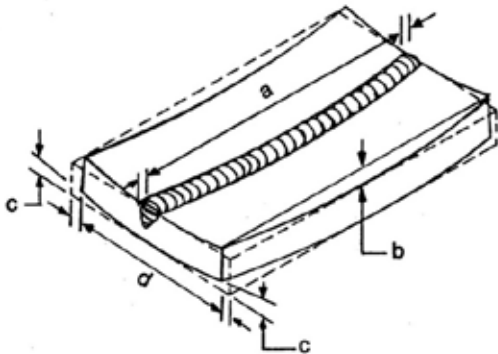
- Area wat bedek moet word, moet vry wees van roes, ghries of vreemde stowwe, deur dit weg te slyp.
- Werk nie op 'n te hoë stroom.
- Gebruik 'n langer boog.



15. Gee die definisie van krimpung van sweis.

Wanneer metaal verhit word sit dit uit en wanneer dit afkoel, krimp dit. Die inkrimping van die gesweide metaal, asook sweislopias veroorsaak verwringing van plate wanneer dit afkoel. Inkrimp vind gelyktydig in alle rigtings plaas en veroorsaak dus verskeie tipes van verwringing.

16. Noem en skets die vier tipes VERWRINGING wat by sweislasse kan voorkom.



- a) Langskrimping
- b) Langs hoekkrimping
- c) Hoekkrimping
- d) Dwarskrimping

17. Die hoeveelheid verwringing van 'n sweislas hang af van:

- a. Hoeveelheid sweising
- b. Aantal sweislae
- c. Graad van weerstand
- d. Oorspronklike toestand van die dele wat gesweis moet word
- e. Sweisprosedure

18. Noem VIER metodes wat gebruik kan word om verwringing van 'n sweislas te voorkom:

- Toelating vir verwringing deur vooropstelling.
- Sweis van lapwerk.
- Vasklem.
- Puntswaiswerk. (Spotsweis)



OKSI-ASETILEEN SNY EN VERHITTING (Oksi-gasbrander)

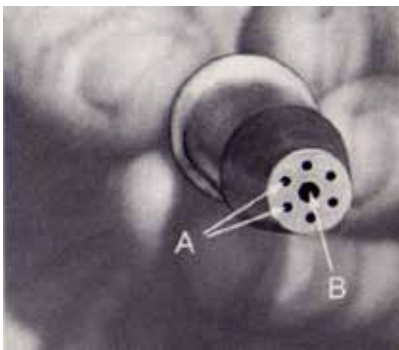
1. Beskryf die snyproses.

- Maak eers die materiaal rooiwarm.
- Suurstof word dan gevoer met die hefboom op die snyhegstuk.
- In werklikheid ontvlam die staal wat nog meer hitte afgee om die proses aan die gang te hou.
- Die staal verander in vloeistof.
- Die ystervloeistof word van die snyplek verwyder deur druk van die suurstofstroom.

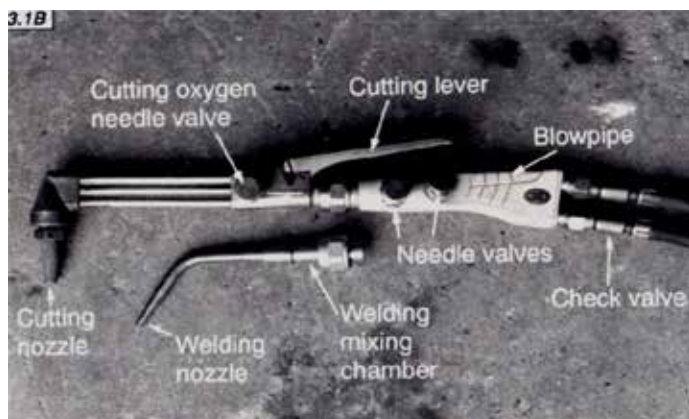
2. Noem DRIE soorte metale wat gesny kan word deur gebruik te maak van 'n oksi-gasbrander.

- Sagte staal.
- Gietyster.
- Vlekvrye staal

3. Skets van 'n snypunt.



4. Skets van die snyspuitstuk/sweisspuitstuk/snybrander.



Snysuurstofnaaldklep

Sny-suurstofhefboom

Sweispyp

Snyspuitstuk/nossel

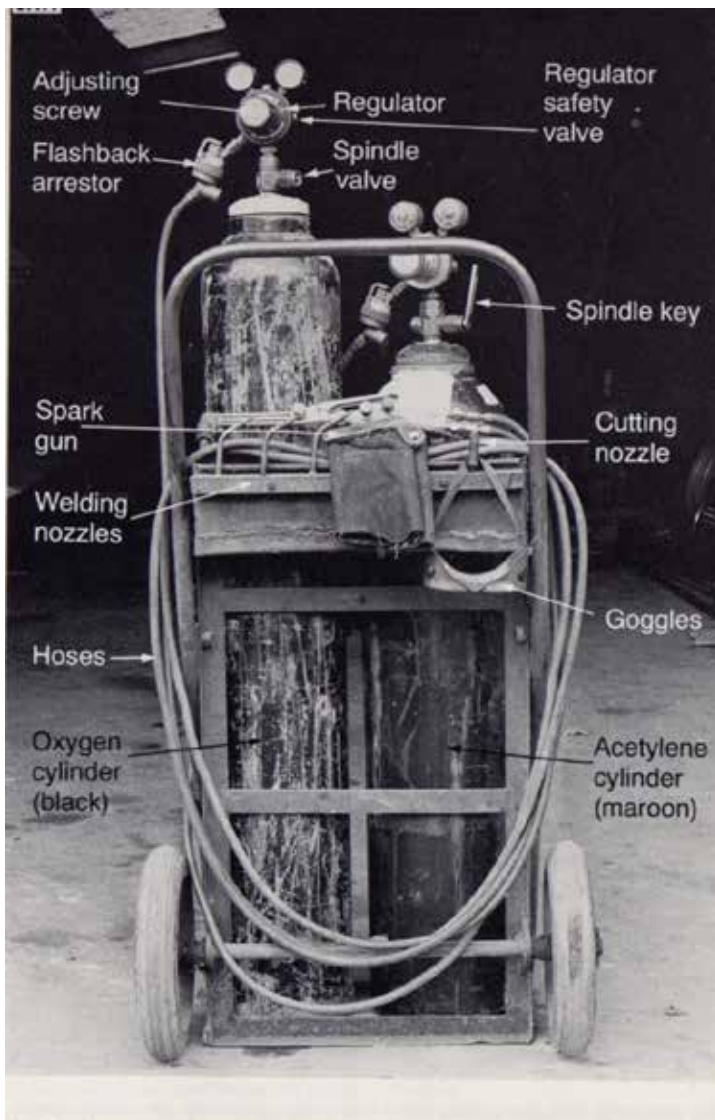
Sweisspuitstukpunt

Gasmengkamer

Naaldkleppe

Keerklep/Terugflitsweerder

5. Maak 'n skets van die oksi-asetileen apparaat.



Stelskroef

Reëlaar

Reëlaar-veiligheidsklep

Terugflitsweerder

Spilklep

Spilsleutel

Vonkpistool

Snyspuitstuk

Sweisspuitstukke

Skermbril

Suurstofsilinder (swart)

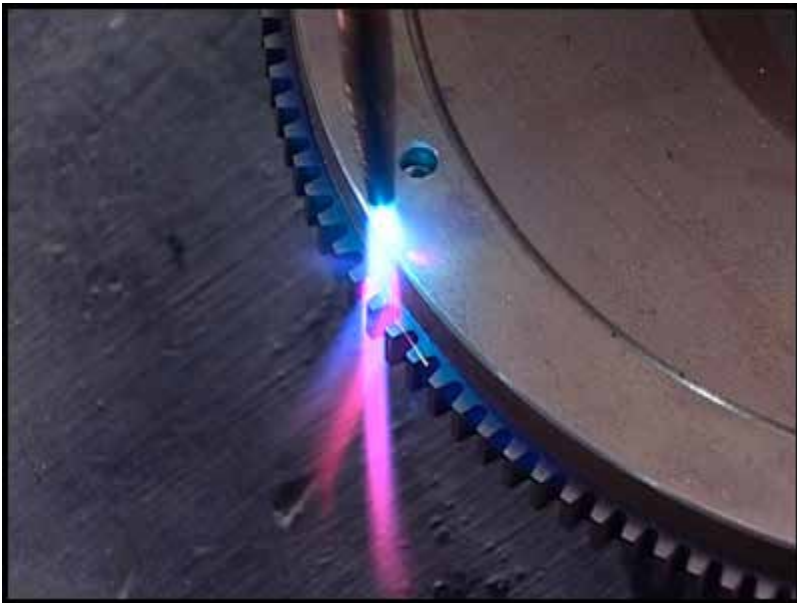
Asetileensilinder (wynrooi)



GEBRUIK VAN 'N OKSI-ASETILEEN APPARAAT VIR VERHITTING

Deel 1 Veiligheid

Die doel van hierdie proses is om jou te wys hoe om 'n oksiasetileen apparaat vir verhitting te gebruik. Dra 'n leervoorskoot of soortgelyke beskermende klere en sweishandskoene wanneer 'n oksiasetileen spuitstuk gebruik word en gebruik altyd 'n behoorlike sweisbril.



1. Persoonlike veiligheid

Wanneer jy 'n taak in die werkswinkel doen moet jy gebruik maak van persoonlike beskermende klere en toerusting wat geskik is vir die taak en wat voldoen aan jou plaaslike veiligheidsregulasies en beleid. Dit kan die volgende insluit:

- Werksklere - soos oorpakke en staalpuntskoene
- Oogbeskerming - soos veiligheidsbrille en gesigmaskers
- Gehoorbeskerming - soos oormowwe en oorpluisies
- Handbeskerming - soos rubberhandskoene en beskermingsroom
- Respiratoriese toerusting - soos gesigmaskers en kleprespirators

As jy nie seker is oor wat geskik is of wat benodig word nie, vra jou toesighouer.

2. Veiligheidswenke

- Suurstof en asetileensilinders moet veilig en in 'n regop posisie gestoor word.
- 'n Oksi-asetileen apparaat produseer 'n groot hoeveelheid hitte. Wees bewus daarvan dat enige voorwerpe wat jy die vlam op rig warm sal word.
- Hou altyd 'n geskikte brandblusser naby jou werksarea.
- Moet nie 'n oksiasetileen apparaat naby enige vlambare materiale gebruik nie.
- Maak seker jy verstaan en onderhou alle wetgewing en persoonlike veiligheidsprosedures by die uitvoering van take.



3.Punte om na op te let

- As 'n silinder omval en die belangrikste klep breek af, sal die silinder 'n missiel word wat erge skade kan veroorsaak.
- Dra 'n leervoorskoot of soortgelyke beskermende klere en sweishandskoene wanneer 'n oksii-asetileen apparaat gebruik word. T-hemde, nylon en poliëster samestelling klere voorsien nie genoeg beskerming nie. Ultraviolet lig en warm metaalvonke sal daardeur gaan.
- Gebruik altyd 'n behoorlike sweisbril. Moet nie sonbrille gebruik nie, omdat hulle nie die uiterste ultraviolet lig so effektief filter nie. Die plastiek wat gebruik word in sonbril lense sal nie jou oë beskerm teen vonke nie.
- Moet nooit die brandende vlam in die rigting van 'n ander persoon of enige vlambare materiaal wys nie.
- Steek altyd die oksii-asetileen apparaat met die aansteker aan. 'n Sigaretaansteker of vuurhoutjie sal jou hand te naby aan die ontstekingspunt sit.
- Gebruik 'n hittedekende agter die komponent wat jy verhit waar moontlik. Dit sal verhoed dat nabygeleë voorwerpe warm word.
- Na die verhitting, moet die metaal as "warm" gemerk word met 'n stukkie kryt sodat ander dit nie sal probeer optel nie.

Deel 2: Stap-vir-stap-instruksies

1. Steek die snyspuitstuk aan en verstel 'n neutrale vlam

Steek die snyspuitstuk aan en verstel die gasvloei tot jy 'n neutrale vlam het

2. Hitte vir 'Verwydering'

Plaas 'n vliegwiël en ringrat op isolerende spasieerders, om dit bo die werksoppervlak te verhef. Rig die vlam op die ringrat tot rook verskyn. Stop die hitte. Op hierdie stadium is die ringrat warm genoeg om te verwyder deur dit liggies met 'n hamer en drif te kap. Moet nie die metaal met jou hande aanraak nie. Gebruik sweishandskoene en gereedskap wat vir die gebruik in 'n warm omgewing ontwerp is.

3. Verhit tot 'Rooi Warm'

Rig die vlam na die komponent wat jy wil verhit. Indien die komponent van dun metaal gemaak is sal dit vinniger verhit as een wat dikker is. Pas die hitte eweredig toe, totdat jy die voorwerp rooi sien gloei. Sodra die gloed eenvormig is, is die metaal warm genoeg om te manipuleer. Moet nie die metaal met jou hande aanraak nie. Gebruik sweishandskoene en gereedskap wat vir die gebruik in 'n warm omgewings ontwerp is.

4. Uitdoof/Afsit

Wanneer die werk klaar is, sal jy nodig hê om die toerusting af te sluit. Draai die asetileenklep op die sweisspuitstuk toe. Dit sal die vlam blus. Draai die suurstof klep op die sweisspuitstuk toe. Volgende verwyder jy jou veiligheidsbril of masker en jou sweis handskoene. Draai die hoofklep aan die bokant van beide gassilinders kloksgewys. Maak nou die twee kleppe op die snyspuitstuk oop om die stelsel te bloei. Draai albei die suurstof en asetileen reguleerders handvatsels anti-kloksgewys totdat hulle los is. Sluit beide kleppe op die snyspuitstuk. Plaas die handvatsel en punte terug en plaas die silinders en pype terug in hul eie bergingsgebied.



PLASMASNY

1.Oor plasmasny

- Plasmasny, ook bekend as plasma-boogsny, is 'n tegnologie wat ontwikkel het uit die Tweede Wêreldoorlog era.
- Die proses behels die gebruik van 'n wolfram elektrode en hoë druk plasma (is gas in 'n geïoniseerde staat) om 'n elektriese boog tussen 'n koper mondstuk en werkstuk te genereer.
- Dit is die elektriese boog wat die snywerk doen, maar die hoë druk plasma help om die snit skoon te maak deur die afval te verwyder. (metaalonsuiwerhede wat gegenereer word deur die sny).

2.Lae spanning, hoë stroom

- Die plasmasnyer maak gebruik van 'n elektriese transformator en interne stroombaan om die toevoerspanning van 220 volt wisselstroom (VWS) met 'n 15 ampère stroom, in 'n lae spanning hoë stroom snystroom te omskep.
- Die tipiese spanningsomvang van die plasmasnyer kan enige iets tussen 20 tot 50 volts wees.
- Die stroom aan die ander kant kan 'n hoë uitset van tot 100 ampère hê. Dit is hierdie hoë stroom wat die identifiseerbare blou en wit snystroom van elektriese plasma veroorsaak.
- Elektrisiteit word op die buitekant van alle elektriese drade gedra.
- Dit is die vry elektrone van koper, die mees algemene draad om elektrisiteit te dra, wat die krag dra of laat beweeg van die een punt na die ander.
- Die plasmasnyer met sy unieke stroombaan konsentreer hierdie elektronvloei in 'n strek snystroom.
- Die elektrone vorm 'n plasma-agtige stof wat gesien kan word wanneer die sneller getrek word op die snyhandvat.
- Dit is hierdie intense plasma wat die metaal verhit en smelt in 'n klein diameter poel.

3.Saamgeperste lug. Die finale krag

- Sodra die gesmelte poel gemaak is, word 'n ander krag benodig om die poel deur die ander kant van die materiaal wat gesny word te "stoot".
- Saamgeperste lug, in die koers van 100 pond per vierkante duim (PSI), word gelei deur middel van die snyspuitstuk en word vrygestel wanneer die sneller getrek word.
- Dit plasma stroom is nou voltooi en skep 'n klein deursnee, fyn lyn vir die sny van metaal.
- Gewoonlik is die plasmastroom so intens dat die snyspuitstuk teen 'n spoed van 250 cm of meer per minuut langs die oppervlak van die metaal beweeg kan word.
- Vergeleke met ander vorme van sny- apparate, wat slegs 'n maksimum spoed van 75 cm per minuut kan bereik, maak dit van die plasma snyer 'n hoë spoed sny apparaat.

4.Die hoek van die snit

- 'n Klein nadeel of fisiese eienskap van die plasma snyer is die hoek van die finale snit met betrekking tot die materiaal.
- Die plasma boog sal 'n 6 tot 7 grade hoek op die vertikale gesig van die materiaal sny.
- Dun metaal sal nie 'n aanskoulike gesigshoek hê soos in teenstelling met dikker materiaal nie.
- Metaal met 'n dikte van 5mm of dikker, sal met 'n elektriese hoekslypmasjien geslyp moet word, ten einde 'n ware loodregte hoek met betrekking tot die horisontale oppervlak te verkry.



5. Temperature

Die plasma wat in plasmasny gebruik word is onder sulke intense druk dat dit temperature van meer as 36.000 grade F kan bereik tydens die snyproses.

6. Plasma Gasse

Plasmasny gebruik 'n verskeidenheid gasse om plasma te produseer. Argon, stikstof, suurstof en gewone lug.

7. Elektrodes

Tungsten elektrodes is standaard in plasmasny wat gebruikmaak van gewone lug, om plasma te produseer, vereis die gebruik van koper gemonteerde hafnium of sirkonium elektrodes.

8. Elektrisiteit

Plasmasny is 'n hoë-spanning proses wat tot 400 volts tydens inisialisering van die boog vereis.

9. Kalibrasie

Kalibrasie van die plasma snyspuitstuk is uiters belangrik. 'n Onbehoorlik gekalibreerde plasmaspuitstuk kan 'n dubbele boog genereer, wat die spuitstukmondstuk sal smelt.

10. Die kies van die korrekte plasma- snymasjien

- Ten einde die korrekte hand plasma- snymasjien te kies, moet 'n individu die normale en maksimum dikte van die metaal wat gesny moet word analiseer.
- Alle draagbare plasma- snymasjiene gebruik 'n hoë spanning en lae ampère.
- By die keuse van 'n masjien, moet die spanning hoog genoeg wees om die korrekte hoeveelheid krag te lewer vir die werk wat dit moet voltooi.

11. Die verskillende gasse beskikbaar vir plasma sny

- Hoewel alle draagbare plasma snymasjiene gebruik word om staal en metaal te sny, is sekere gasse vir sekere take meer doeltreffend as ander.
- Lug is die mees veelsydige gas en werk goed vir ligte aluminium of vlekvrystaal.
- Suurstof is standaard in die industrie vir die sny van koolstofstaal, want dit sny met die beste kwaliteit oorwegende sy snytempo.
- Stikstof het 'n egalige snyspoed wat sterk is en dit verleng ook die lewensduur van die masjien se onderdele.
- Die finale gas opsie is argon waterstof.
- Dit is die beste keuse vir die sny van dik metaal en staal, want dit is die warmste gas met die hoogste snykapasiteit.
- Kennis die verskillende gasse sal die sukses van die plasma snymasjien wat gebruik word verhoog.

12. Vlam Groote

- Krag word bepaal deur wats, nie ampère of volts.
- Wats is gelyk aan amp vermenigvuldig met volts gelykstrom, of VGS. 'n 12-Amp plasma snyspuitstuk 220 VGS gegradeer sal meer snykrag as 'n 15-amp snyspuitstuk gegradeer 110 VGS hê.
- 'n Plasma snyspuitstuk met 'n groter amp gradering beteken nie noodwendig dat dit meer krag het om te sny nie, hoewel baie mense 'n aankoop baseer op die aantal ampère.



13.Spoed en dikte

- As jou plasmasnyer 'n gehalte-gegradeerde snyspoed van 25 cm het, sal jy in staat wees om 'n stuk staal nie dikker as 1cm teen 'n spoed van 25 cm per minuut, of cm/m vlot te sny.
- Die stadigste gegradeerde sny spoed is 25 cm/m. Dieselfde 25 cm gehalte-gegradeerde snyer sal dikker stukke metaal sny, maar teen 'n tempo stadiger as 25 cm/m, maar die snit sal nie van goeie gehalte wees nie.

14.Plasmasny- Veiligheid

- Een van die belangrikste aspekte van die gebruik van 'n draagbare plasma sny masjien is veiligheid. Hoewel die werking van die masjien relatief eenvoudig is, vereis die krag van die masjien en die vlak van die spanning wat dit bevat dat veiligheid 'n hoë prioriteit is.
- Vuurvaste handskoene en 'n gesigskerm moet te alle tye gedra word.
- Alle plasma snymasjiene is 'n potensiële brandgevaar omdat hulle warm metaal en vonke blaas, so vlambestande klere moet altyd gedra word.
- Enige vlambare materiaal, moet 'n minimum van 35 meter weg van die masjien af wees terwyl dit bedryf word.
- Baie belangrik, plasma snymasjiene bevat 'n potensieel dodelike spanningsreserwe.
- Indien enige lewendige elektriese dele aangeraak word, sal noodlottige skokke of ernstige brandwonde voorkom.
- Hoewel die hand plasma snymasjien maklik is om te hanteer, kan sekere foute dodelik wees.

15.Brandgevaar

- Plasmasnyers produseer 'n intens warm plasmastraal wat meer as 45.000 grade Celsius kan wees. Kontak met die plasma straal sal erge brandwonde veroorsaak en kan maklik deur weefsel sny.
- Onder geen omstandighede moet kontak gemaak word met die plasmasnyspuitstuk met enige deel van jou liggaam terwyl die masjien in werking is nie.
- Moet nooit aan die werkstuk naby die sny area raak nie as gevolg van die risiko van brandwonde.
- Wanneer dit gebruik word vir die sny van metaal, veroorsaak die plasmasnyapparaat groot hoeveelheid vonke en warm metaal wat klere of ander vlambare items rondom jou werkspasie kan laat brand.
- Dra brandbestande, geïsoleerde klere en maak seker dat die werkplek vry is van brandgevaar.

16.Oog/visie gevaar

- As 'n sekondêre effek, veroorsaak 'n plasmastraal 'n groot hoeveelheid sigbare, ultra-violet bestraling wat vir die oë skadelik kan wees.
- Vonke en warm metaal kan oog beserings veroorsaak.
- Dra behoorlike gesig- en oogbeskerming terwyl die plasmasnyapparaat gebruik word.
- Toepaslike oogbeskerming sal verder uitgestippel word in jou veiligheids handleiding.

17.Asemhalingsgevaar

- Sny van metaal met 'n plasmasnyapparaat sal gevaarlike gasse genereer.
- Dra behoorlike asemhalingstoerusting, en moet onder geen omstandighede hierdie gasse inasem nie.
- As jy 'n werkstuk inspekteer wanneer jy dit gesny het moet jy die werkstuk van die kant af bekyk en nie van bo af nie. Dit sal jou blootstelling aan gevaarlike gasse verminder.
- Maak seker dat die werksplek goed geventileer is.



- 'n Uitlaatkap of 'n ruimte oop na buite word aanbeveel wanneer die plasmasnyapparaat gebruik word. Gebruik respirators of ander asemhalingsapparaat waar nodig.
- Weer eens, maak seker jy raadpleeg jou handleiding vir meer inligting.

18. Elektriese gevaar.

- 'n Plasmasnyapparaat werk met behulp van 'n baie hoë spanning.
- Snykomponente is "lewendig" terwyl krag verskaf word.
- Kontak met hierdie lewendige dele dra 'n hoë risiko van 'n dodelike skok, so raak nooit aan enige deel van die plasmasnyapparaat, behalwe 'n handvatsel of sneller, terwyl dit in werking is nie.
- Selfs wanneer die kragkakelaar afgeskakel is, moet nie aan enige potensieel lewendige komponente geraak word nie. Maak seker dat jy geïsoleerde handskoene en klere dra, gebruik elektries geïsoleerde droë mat, en maak seker dat die gronddraad stewig op die grondterminaal is.
- Maak seker dat die werkstuk self, behoorlik gegrond is.
- Raadpleeg jou handleiding vir instruksies op elektriese veiligheid vir jou spesifieke plasmasnyer model.

19. Algemene Veiligheid

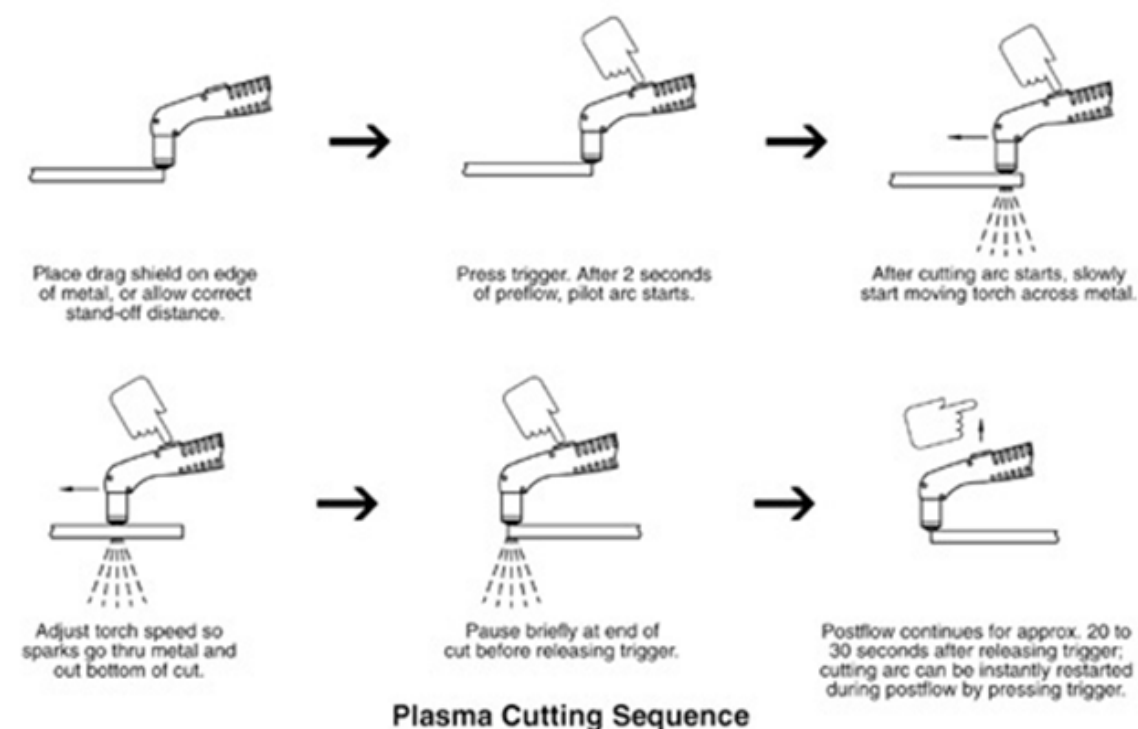
Moet nie hierdie masjiene bedryf as jy onder die invloed van enige dwelms of alkohol is nie. As jy nog nie ervaring het om een van hierdie toestelle te gebruik nie, soek professionele konsultasie en opleiding voordat jy een self bedryf. Hierdie masjiene is uiters gevaarlik, en onbehoorlike gebruik kan beserings of dood veroorsaak.

20. Voordele

- **Vinnige snyspoed:** plasmasny is vinniger as oxi-asetileen vir die sny van staal tot 5 cm dik en is mededingend vir 'n groter dikte. Plasmasny bereik hoër snelhede as lasersnyapparate, vir diktes oor 3 mm. CNC kontroles kan 'n spoed van tot 120 cm per minuut op gemete diktes behaal. Hierdie vinnige snyspoed het 'n verhoogde produksie tot gevolg, hierdie stelsels betaal vir hulself in so min as 6 maande vir kleiner eenhede.
- **Wye reeks van materiale en Diktes:** plasma snystelsels kan gehalte snitte op beide yster en nie-ysterhoudende metale lewer. Diktes van tot 7.5 cm kan effektief gesny word.
- **Maklik om te gebruik:** plasmasny vereis slegs minimale operateuropleiding. Die snyspuitstuk is maklik om te bedryf, en 'n nuwe operateur kan byna onmiddellik uitstekende snitte maak. Plasmasny stelsels is sterk, geskik vir die produksie-omgewing, en vereis nie potensieel ingewikkelde verstellings wat verband hou met lasersny stelsels nie.
- **Ekonomies:** plasmasny is meer ekonomies as oksi-asetileensny vir diktes onder 2.5 cm, en vergelykbaar tot ongeveer 5 cm. Byvoorbeeld, vir 12 mm staal, is die plasmasny koste sowat die helfte van dié van oksi-asetileensny.



EXAMPLE of Cutting Operation



21.Probleme en Onderhoud

- Die masjien produseer 'n boog en verloor dit dan, of indien die boog nie die metaal kan indring nie waar dit eens kon, ondersoek die verbruikbare materiale eerste. Die elektrode en kontakpunt sluit/verweer 'n bietjie met elke begin / stop siklus en moet vervang word wanneer hulle oormatig verweer is.
- Sommige van die grootste probleme hou verband met lugdruk. Lae lugdruk lei tot swak prestasie, veral op hoë ampere.
- Kyk vir hierdie toestand, probeer die druk op die masjien verhoog. As die drukmeter nie veel verder as die optimum verstelling beweeg nie, kan druk op die gasbron aangepas word, want minimum vloeitempo kan nie genoeg druk lewer in 'n paar meter pyp nie.
- Om voldoende druk op die masjien te verseker, kan die bronmeter 'n bietjie hoër as die drukmeter op die masjien gestel word.
- Om voldoende lugdruk vir 'n plasmamasjien te verseker, moet jy 'n gaspyp gebruik met minstens 'n 10 mm interne deursnee en toebehore wat ooreenstem met, of hoër is as, die gradering aanbeveel in die masjien se handleiding.
- Baie plasmasyers het 'n ingeboude reguleerder met 'n lugfilter, maar 'n goeie praktyk is om bykomende filters en skeiers op die gastoevoer te instaleer om water of ander kontaminante te verwyder. Onthou dat water hoogs geleidend is, en as water in die spuitstuk kom, kan dit interne vlamboë veroorsaak wat skade kan aanrig. Soos die oliefilter op jou motor, moet die lugfilters op 'n plasmamasjien gereeld verander word; versadigde/vuil filters verwyder nie vog nie.



HOOFSTUK 5

Gereedskap, toerusting en implemente

1. Wat is die mees algemeenste plaasmasjinerie/implemente?

- Plaasmasjinerie is die masjiene wat op plase gebruik word om te help met die boerderywerk.
- Voorheen is implemente wat met die hand hanteer is of deur diere getrek is gebruik. In moderne tye, is gemeganiseerde boerdery die norm.
- Elektriese of brandstof-aangedrewe masjinerie word nou gebruik om die meeste take wat voorheen deur mense en diere uitgevoer is te doen.
- Die gebruik van masjinerie is minder tydrowend en meer koste-effektief as om die werk met die hand of met diere te doen.
- Vooruitgang in plaasmasjinerie het 'n rewolusie in die boerderybedryf meegebring.
- Of dit op 'n plaas, 'n georganiseerde boerdery-onderneming of 'n kommersiële boerdery is, 'n wye verskeidenheid van plaas masjinerie word gebruik.
- Kommersiële boerdery gebruik meer gesofistikeerde boerderytoerusting as die ander twee.
- Nie net is die moderne boerdery gemeganiseerd nie maar ook gerekenariseerd.
- Boere gebruik gereeld satellietbeelde, GPS navigasie en elektriese sensors in hul boerderytake.
- Gevorderde boerderymasjinerie verminder vermorsing en verseker 'n meer winsgewende gebruik van saad, kunsmis, besproeiing en brandstof.
- Dit lei tot die verbetering van die produksie en vervoer van plaasprodukte.
- Die mees algemene en bekende plaasmasjien is die trekker .
- Trekkers word gebruik om 'n verskeidenheid van plaasmasjiene en toerusting te trek.
- Plaasmasjinerie wat gebruik word vir grondbewerking sluit die ploeg, die krag tiller, die tand, sleep en skyf disk, die beitel ploeg, die grondbreker, die skoffelploeg, en die klip uithaler. Hierdie masjiene maak die land skoon van klippe en onkruid, en maak die grond gereed vir plant.
- Die werklike aanplanting word gedoen met behulp van meganiese planters, oorplanters/verplanters, saaimasjiene, saadploeg, saadstrooier en deklaag neerleggers.
- Planters plant sade in presiese rye op presiese tussenposes.
- Saadploeë soos koringplanters plant sade baie nader aan mekaar as gewone planters.
- Oorplanters plant saailinge in die land oor, en kan gedeeltelik of ten volle outomaties wees.
- Deklaag masjiene kan natuurlike of plastiek deklaë neerlê.
- Die groeiende plante word aangehelp met kunsmis, mis en spuit spreiers.
- Besproeiing word makliker gemaak deur gespesialiseerde besproeiingsmasjinerie.
- Vinnige en gemeganiseerde fasiliteite het dit moontlik gemaak om hoë opbrengs gewasse in droë gebiede te kweek.
- Water kan ook voorsien word oor 'n wye area in die land en in spesifieke vereiste hoeveelhede.
- Oesmasjinerie sluit die beroemde stroper en dorsmasjien in.
- Die stroper spaar die boer baie tyd en moeite. Dit sny, maal en skei graan soos dit sy pad deur die oes werk.
- Ander oesmasjiene is die suiker, mielies en bone stropers en die katoen plukkers.
- Harke, grassnyers, balers en baalhanteerders word gebruik om hooibale te maak.



- Graaf en laaigrawe word gebruik vir laaidoeleindes.
- Voertuie soos vragmotors, vliegtuie en helikopters word gebruik vir vervoerdoeleindes.
- Vliegtuie en helikopters kan ook gebruik word vir die bespuiting van gewasse en die dophou/opspoor van diere.
- **2.Wat is die verskillende soorte landbou-masjinerie?**
- Die groeiende wêreldbevolking beteken dat die wêreld se voedselvraag groei.
- Om in hierdie vraag te voldoen, moet produksie vinniger en meer doeltreffend wees as wat dit in die verlede was.
- Landbou-masjinerie, soos trekkers, stropers, en gewasbespuitvliegtuie, help om dié doelwitte te bereik.

Trekkers

- 'n Trekker is gewoonlik een van die mees erkende landboumasjinerie.
- Wat dalk nie so wyd erken word nie, is die vermoëns van hierdie masjiene en die tegnologie waarmee hulle toegerus is.
- 'n Trekker se primêre doel is om iets te sleep of trek as deel van die landbouproses.
- By ouer modelle, kan dit 'n baie moeilike taak wees.
- Trekkers was eens eenvoudige gemotoriseerde masjiene met twee groot wiele agter en twee kleiner wiele aan die voorkant.
- Trekkers het ontwikkel in gesofistikeerde stukke van landboumasjinerie wat selfs nie wiele kan hê nie.
- Sommige modelle is toegerus met rusperwiele, en gemoderniseerde trekkerkajuite kan ook met verhitte sitplekke, outomatiese temperatuurbeheer, en paneelbordrekenaars toegerus wees.

Saaimasjiene

- Breëwerp saaimasjiene is masjiene wat aan trekkers aangeheg kan word om sade mee te saai.
- Hierdie masjiene kom in verskillende groottes, maar die groter modelle is aan die trekker gekoppel vir operasionele krag.
- Saad word binne-in die "hopper" geplaas, wat 'n tregter-tipe vat is en wat verskeie wieke binnekant het.
- Daar is gewoonlik roterende skywe aan die onderkant van die masjien wat aangepas kan word vir verskeie verspreiding patrone.

Stropers

- 'n Stroper is 'n groot masjien wat gebruik word om graan soos koring, gars en mielies in te samel.
- Hierdie landboumasjien is belangrik omdat dit werk verrig wat tradisioneel deur drie afsonderlike werktuie gedoen is.
- 'n Stroper sny die plante, verwyder die eetbare gedeelte of graan, en skei dan die reste van die graan.
- Sodra die stroper 'n beduidende hoeveelheid graan in die opgaartenk het, kan dit maklik in 'n vragmotor gelaai word en elders vervoer word.



Baalmasjiene

- Die weggegooide gedeelte van die plante wat die stroper agterlaat kan gebruik word vir hooi vir diere .
- Die oorblyfsels van die plante word omskep in 'n netjiese baal met behulp van 'n baalmasjien.
- Daar is masjiene wat vierkantige bale produseer en ander wat ronde bale produseer.
- Beide tipes baalmasjiene maak gebruik van 'n stelsel van insameling en geforseerde pakking om die verlangde vorm te verkry.

Vliegtuie vir bespuitingsdoeleindes

- Hierdie vliegtuie word gebruik om landbougemikalieë soos kunsmis, onkruidodder en insekdoders oor groot areas op landbougewasse te spuit.
- Die vlieënier vlieg laag en bespuit die gewas met spesiale sproeiers wat aan die vliegtuig se vlerke gemonteer is.
- Die metode bespaar geweldig baie tyd en voorkom ook skade aan die gewas a.g.v. werktuie se wiele wat spore in die land trap.

SNYMASJIENE

GRASPERK EN TOLSNIERS

Doel: Om die veilige gebruik van grassnyers te bevorder.

1. Algemeen

Tolsnyers is 'n nuttige, maar gevaarlike toerusting, met die potensiaal om ernstige beserings te veroorsaak. Die lemme draai teen 'n hoë spoed van 2000 tot 4000 rpm. Die spoed waarteen die lem se punt beweeg kan wissel van 160-300 kph. Vir veiligheid, moet die operateur weet hoe om die lem vinnig te ontkoppel en die enjin te stop.

2. Veiligheidswenke vir die hantering van 'n Tolsnyer

- Lees en verstaan die operateur se handleiding om vertrouwd te raak met die masjien.
- Verwyder alle vreemde voorwerpe van grasperke voor jy begin sny.
- Gebruik die aanbevole PBT (**P**ersoonlike **B**eskermings **T**oerusting) insluitend styfpassende klere wanneer 'n grassnyer hanteer word.
- Ontkoppel die lem voordat jy die masjien aangeskakel word.
- Hou al die skerms en veiligheidsbeskermingsmaatreëls in plek.
- Moet nooit enige veiligheidskakelaars ontkoppel nie.
- Moet nooit die grassnyer vol brandstof maak wanneer die enjin warm is of aangeskakel is nie.
- Berg petrol in 'n goedgekeurde houer met 'n korrekte etiket.
- Skakel die motor af voordat die gebied onder die dek skoonmaak word.
- Diskonnekteer die vonk of elektriese prop voordat foutopsporing gedoen word, of die grassnyer herstel word.
- Doen roetine-onderhoud soos aanbeveel deur die vervaardiger se skedule.
- Hou 'n lopende grassnyer weg van omstanders en troeteldiere.

3. Veiligheidswenke vir Stootgrassnyers

Begin stootgrassnyer met voete stewig en in 'n veilige posisie.

4. Veiligheidswenke vir Elektriese grassnyers

Moet nooit 'n elektriese grassnyer op nat gras gebruik nie.



5. Veiligheidswenke vir Oprybare grassnyers

- Hou beide voete op die voetrus van die grassnyer.
- Geen ekstra passasiers op enige grassnyers.
- Wees bewus van die kragaftakas.

6. Wees bewus van Snyergevare

- 'n Grassnyer kan maklik omslaan.
- Druk die grassnyer weg van die operateur wanneer omval.
- Moet nooit 'n lopende grassnyer sonder toesig laat nie.
- Maak seker die gebied is vry van los items. Vreemde voorwerpe in die snyarea kan deur die grassnyer gegooi word.

7. Behoorlike Snyaanwysings

- Wanneer op 'n helling met 'n rygrassnyer gesny word moet teen die hellingaf gesny word.
- Wanneer op 'n helling met 'n stoot grassnyer gesny word moet oor die helling gesny word.

8. Behoorlike PBT vir die sny

- Stewige staalpuntskoene word hoogs aanbeveel tydens snyproses.
- Langbroeke en langmouhemde beskerm teen vlieënde afval, grassnysels, en die son.
- Gebruik veiligheidssoogbeskerming of brille, veral wanneer naby soliede voorwerpe soos gruisopritte gesny word.
- Oorbeskerming word sterk aanbeveel tydens sny.

9. Oorsig

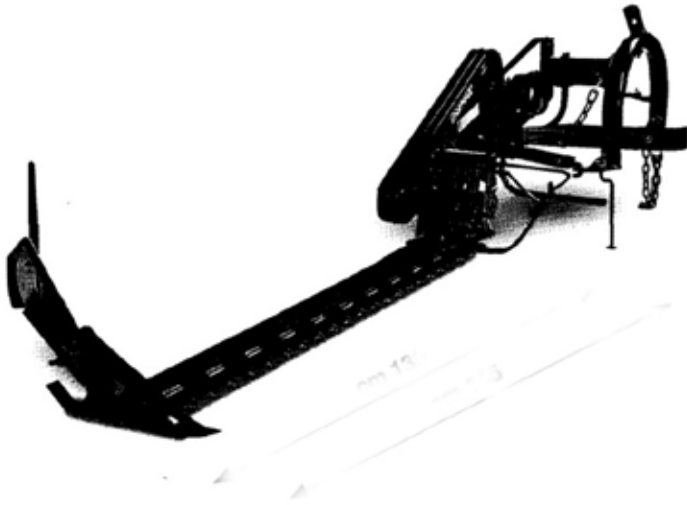
- 'n Roterende lem draai teen 2000 en 4000 rpm, en die lempuntspoed kan 300 kph bereik.
- Dra PBT, stywe klere wanneer sny.
- Hou afskerms en veiligheidskerms in plek.
- Moet nooit enige veiligheidskakelaars ontkoppel nie.
- Skakel die grassnyer af voor die verwydering van enige vreemde voorwerpe.
- Weet hoe om die koppelaar te ontkoppel en die enjin af te skakel .
- Moet nooit 'n lopende grassnyer sonder toesig laat nie.



SNYMASJIENE

VRAE EN ANTWOORDE

1. Die illustrasie hieronder toon 'n masjien wat op 'n plaas gebruik word vir die sny van plante vir verskeie doeleindes.



1.1 Beskryf kortliks hoe hierdie masjien aan die trekker gekoppel word.

- a. Verbind tot die drie-punt meganisme van die trekker.
- b. Twee opsigarms
- c. Boonste as.
- d. Twee stabiliseerkettings

1.2 Beskryf kortliks hoe jy hierdie masjien instand te sal hou.

- Smeer gereeld
- Slyp alle lemme
- Sien dat al die skerms in werkende toestand is en in plek is
- Vervang geslete V-bande
- Maak seker dat al die V-bande styf is
- Herstel beskadigde of gebreekde dele onmiddellik

BAALMASJIENE

1. Noem die twee tipes baalmasjiene.

- a. Ram of suiertipe maak langwerpige reghoekige bale.
- b. Roller tipe maak silindriese bale.



2. Beskryf die werking van die ram tipe baler.

- Die baler word aangedryf vanaf 'n kragafnemer/**kragaftakas**.
- Wanneer die **vliegwiël** draai, roteer die krukas ook en veroorsaak dat die ram heen en weer beweeg.
- Terselfdertyd beweeg die **pakkerarms** in en uit die baalkamer en die awegaar roteer voortdurend.
- Die **opraperwiel**, 'n roller met geveerde tande tel die hooi op as die baler voorwaarts beweeg en plaas dit op die stroperplate waar dit in aanraking kom met die voerawegaar.
- Die **awegaar**, roteer voortdurend en voer die hooi in die baalkamer in na die pakkerarms.
- Die **pakkerarms** beweeg in en uit die baalkamer om die hooi na die baalkamer te voer, waar dit in aanraking kom met die ram.
- Die hooi word in die baalkamer deur die **ram** met 'n vorentoe agtertoe beweging saamgepers. Hierdie beweging is gesinchroniseer met die pakkerarms. Dit laat hooi in die baalkamer in, wat gevoer word deur die pakkerarms, wanneer dit tot die maksimum onttrek word.
- Die baler is toegerus met 'n **mes** aan die kant van die ram om die hooi in die baalkamer van die res te skei.
- Twee **naalde** word gebruik om die toue deur die baal te druk waar die knooppemeganisme dit vang en bind.
- 'n **Meetwiel** wat stadig draai as die baal deur die baalkamer skuif meet die baal en aktiveer die naald en knooppemeganisme so gou as die verlangde baallengte verkry word.

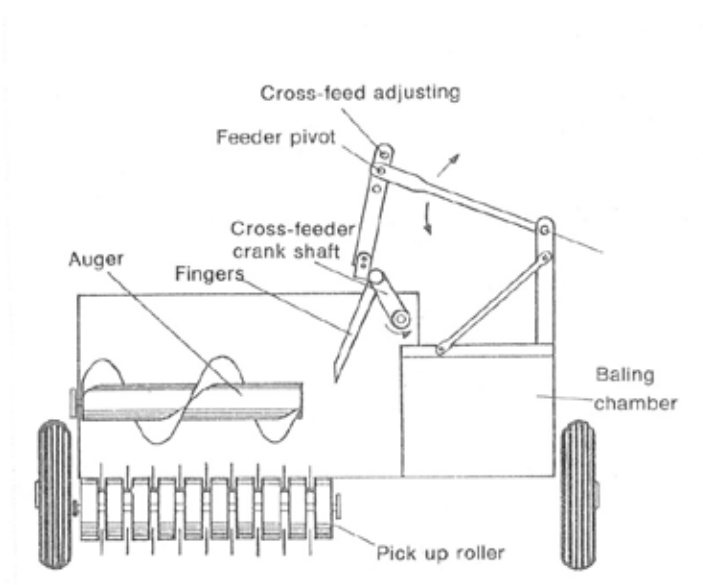
3. Hoe word BAALDIGTHEID verander op die RAM TIPE BALER?

Deur die verhoging of verlaging van die weerstand teen die hooi wat deur die baalkamer beweeg.

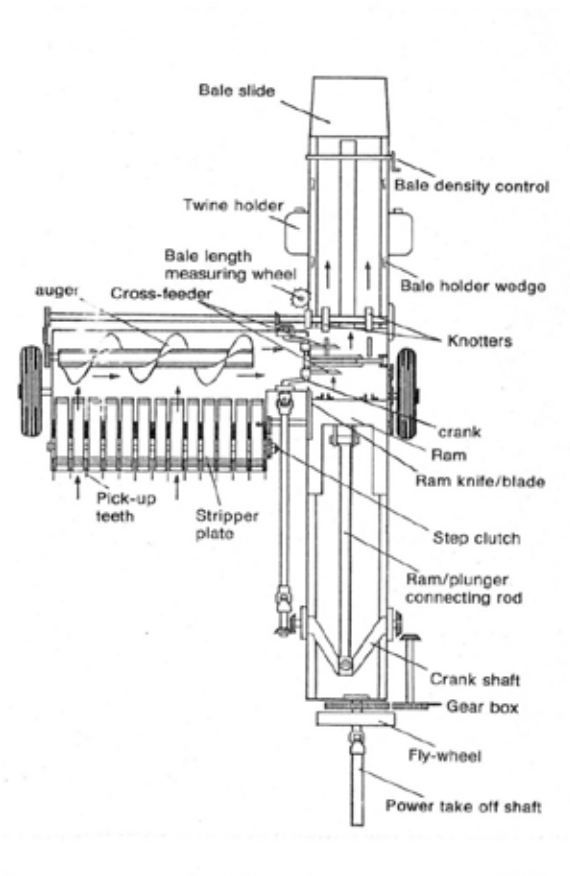
4. Wat is die funksie van die glykoppelaar?

- Verhoed dat swaar voorwerpe in die baler opgeneem word
- Die beskerming van die opraper as dit belemmer word deur enigiets.
- Die beskerming van die awegaar as dit oorlaai word.

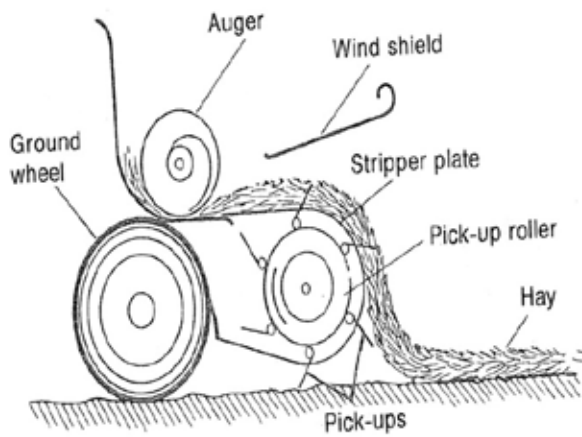
5. Die posisie van die Pakkerarms



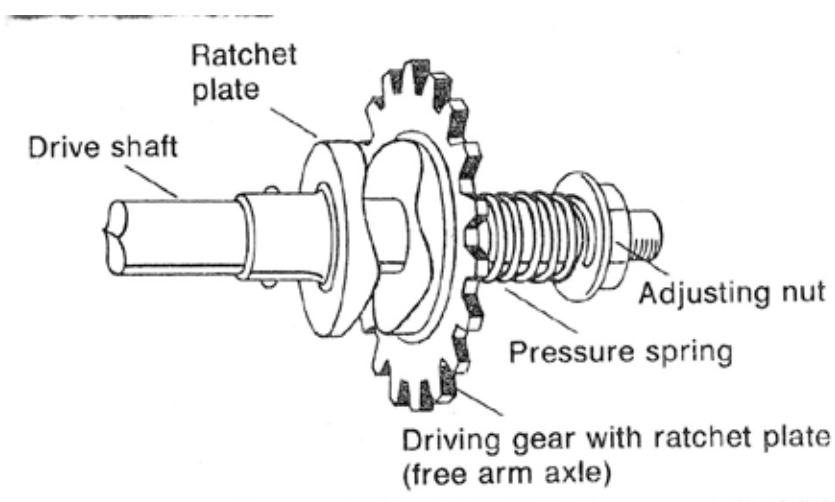
6. 'n Bo-aansig van die uitleg van die belangrikste onderdele van die optelbaler.



7. Sy-aansig van die baler wat hooi optel.



1. Die Ratelplaat



9. Hoe word die BAALDIGTHEID van RONDE BALE verander?

Deur die verhoging of verlaging van die baaltempo.

(Grondspoed van die baler)

10. Vergelyk die voordele van die Reghoekige baler met dié van die Roller baler.

- | | |
|-------------------------------------|-----------------------------------|
| a) Opbergruimte optimaal benut. | a) Een- man operasie. |
| b) Kan bale met die hand hanteer. | b) Lae touverbruik. |
| c) Kontinue baalproses. | c) Eenvoudige werking. |
| d) Bale maklik geberg. | d) Kan baal tot reën begin. |
| e) Vervoerruimte optimaal te benut. | e) Onderdakberging nie nodig nie. |

11. Vergelyk die nadele van die reghoekige baler met dié van die Roller baler.

- | | |
|--------------------------------|---|
| a. Hoër arbeidsbehoefte. | a) Nie maklik per pad of spoor vervoer. |
| b. Bale onder dekking gestoor. | b) Moet meganies hanteer word. |
| c. Hoër onderhoud. | c) Geen outomatiese verpakking. |
| d. Werking meer ingewikkeld. | d) Relatief groot stoorplek nodig. |
| e. Hoër herstelvereistes | e) Voer van bale problematies. |



12. **Beskryf die prosedure wat gevolg moet word wanneer 'n baler gereed gemaak moet word vir gebruik.**

- a. Alle ghriespunte moet goed gehries word.
- b. Die korrekte spanning moet op alle bande of kettings heers.
- c. Maak seker dat alle dele korrek funksioneer deur die masjien se werking te verstel.
- d. Vervang alle geslete dele onmiddellik.
- e. Diens volgens vervaardiger se spesifikasies.
- f. Lig alle skerms op wat opgelig moet word om stof uit te laat.
- g. Maak seker dat bindtyd korrek ingestel is.
- h. Maak seker dat draadmagasyn van die baalmasjien voldoende tou of draad het.

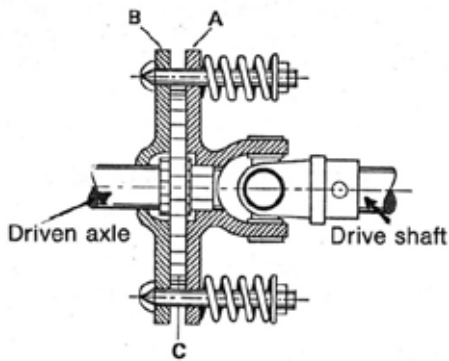
13. **Verduidelik wat bedoel word met die tydreling van 'n ram tipe baler.**

Presiese oomblik waarop die naalde die bindmateriaal opstoot sodat die saamgeperste hooi gebind kan word.

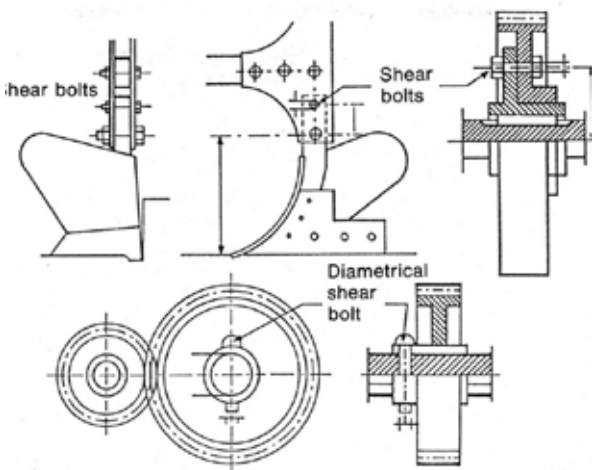
14. **Noem die veiligheidsmeganismes van die baalmasjien..**

- a. Glykoppelaar.
- b. Skerms.
- c. Breekboutjies.
- d. Ram veiligheidsmeganisme.

15. **Skets van die glykoppelaar.**



16. **Skets van die breekboutjie.**



17. Noem die take wat 'n persoon moet verrig tydens die onderhoud van 'n baler.

- a. Smeer gereeld.
- b. Gaan alle laers, kettings en ratte na.
- c. Gaan alle veiligheidskoppelaars na.
- d. Slyp alle lemme.
- e. Gaan banddruk na.
- f. Kontroleer of alle boute styf vas is.
- g. Inspekteer onderstel, kettings, ratte, meganismes en bande vir skade.

18. Noem die prosedure wat gevolg moet word wanneer die baler vir 'n lang tydperk gestoor word.

- a. Verwyder alle bale van baalkamer.
- b. Maak die baler behoorlik skoon.
- c. Dreineer en vervang alle olie.
- d. Verminder die spanning op alle dryfbande.
- e. Verwyder alle kettings, maak hulle skoon, olie dit, en plaas hulle terug.
- f. Haal alle glykoppelaars uitmekaar, maak hulle skoon en sit hulle weer aanmekaar maar moet nie spiraalvere onder spanning plaas nie.
- g. Verminder baalkamerspanning heeltemal.
- h. Bedek ongeverfde dele met 'n dun laagie ghries.
- i. Ghries alle ghriesnippels.
- j. Stoor baler in 'n droë plek onder bedekking.

19. Noem twee tipes roller-baler stelsels.

- a. Welger stelsel.
- b. Vermeer stelsel.

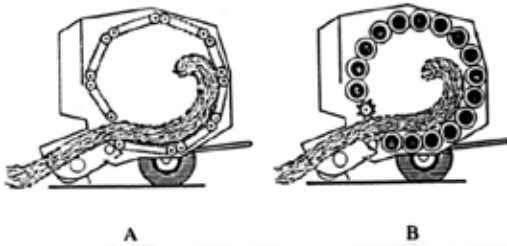
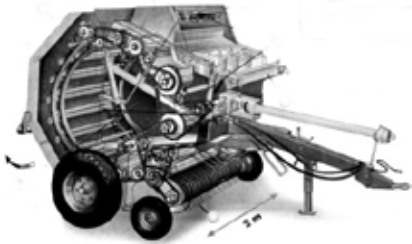
RONDE BALER - VERMEER STELSEL



20. Verduidelik die werking van die Vermeer-stelsel.

- Dit het 'n baalvormmeganisme wat die hooi rolle styf in 'n ronde baal oprol.
- Baalkamer is aanvanklik klein maar vergroot soos die hooi in die kamer gevoer word.
- 'n Spanningsstelsel van katrolle, bande en kettings hou die spanning van die baal konstant terwyl dit roteer.
- Die baalkamer vergroot soos die baal groei.
- As die baal groot genoeg is word toue om die baal gebind.
- Die bale word dan vrygestel aan die agterkant van die baler en 'n nuwe baal word gevorm.

RONDE BALER - WELGER STELSEL



21. Wat is die verskil tussen balers A en B?

Baler A het belde en baler B het rollers.

22. Beskryf die baalvormingsproses in hierdie tipe baler tot die punt voor binding van die baal plaasvind.

- Sodra 'n baal maksimum grootte bereik, word tou vrygelaat om dit te bind, en die voorwaartse beweging word gestop.
- Die baal hou aan rol en 'n tou-omsit-arm, wat meganies werk, beweeg bo-oor die baal na vore.
- Hierdie beweging veroorsaak dat die tou rondom die baal gedraai word vir sy volle lengte.

23. Ronde Baal Veiligheid

- Veiligheidsaspekte van die toerusting wat gebruik word in groot ronde baal pakkette soos: balers, voorlaaigrawe, baalhantering en vervoertoestelle.
- Die sleutel tot 'n veilige en doeltreffende stelsel vir die hantering van groot ronde bale is 'n operateur wat weet van die gevare wat betrokke is en wat veiligheidspraktyke volg om te verhoed dat ongelukke plaasvind.
- Operateurs moet voortdurend bedag wees vir situasies wat kan lei tot beserings aan hulself en of ander.
- Behalwe pyn en lyding, kan ongelukke bydra tot hoër kostes in terme van onnodige onderbrekings of duur herstelwerk aan masjiene.
- Paraatheid en veiligheidsbewustheid kan lei tot meer doeltreffende en winsgewende baal en hantering van bale.



24. Baalmasjienseveiligheid

- Ontwikkeling van veiligheidsbewustheid begin met die operateur se handleiding.
- Neem tyd om die handleiding te lees en maak jouself vertrouwd met die masjien aan die begin van elke seisoen.
- Dring daarop aan dat al die operateurs opgelei word oor die veiligheidsmaatreëls in die handleiding.
- Hierdie maatreël is veral belangrik vir die jeug, wie se opleiding van tyd tot tyd versterk moet word.
- Groot ronde balers skep unieke veiligheidsprobleme vir boere en wildboere.
- Groot ronde balers het baie bewegende dele wat besering of dood kan veroorsaak wanneer 'n persoon verstrengel raak.
- Moet nooit die trekkersitplek verlaat voordat die kragaftakas ontkoppel is en alle bewegende dele tot stilstand gekom het nie.
- Balers en Baalhanteringtoerusting moet waarskuwingstekens of etikette dra (Figuur 1).
- Lees en volg alle veiligheidswaarskuwingstekens (sien tabel 1 vir bykomende veiligheidswenke).

Table 1. Rondebaler Veiligheidswenke.

- 'n Ronde baler is groot en verminder operateursvisie na die agterkant.
- Wees waaksaam wanneer die baler agteruit gestoot word.
- Verseker niemand is naby die agterste hek wanneer dit opgetel en laat sak word nie.
- Hou almal weg van die agterkant van die baler tydens aflaai.
- Groot ronde bale kan rol ná uitskeiding op heuwelagtige terrein.
- Voor diens, skoonmaak, of verstelling van 'n ronde baler, moet die kragaftakas ontkoppel word en die enjin afgesluit word. Moet nooit probeer om hooi of tou uit 'n bewegende baler te trek nie.
- Blokeer die hek voordat jy onder dit werk. Gebruik die veiligheidslotstelsel vir die balerhek of veiligheidsstop vir die hekligsilinders.
- Hou die kragaftakas behoorlik beskerm.
- Skuif die trekker ratkas in parkeer en sluit die remme, of blok die balerwiele as die baler nie aan 'n trekker gehaak is nie, voordat die werk op of onder die baler gedoen word.
- Tydens die werking moet jy op die trekker se sitplek bly sit om die kans om in die pad van die baler te val te verminder. Moet nooit toelaat dat passasiers op die baler tydens werking of vervoer ry nie.
- Wees uiters versigtig wanneer daar met 'n baler op ongelyke of heuwelagtige terrein gewerk word. Ronde balers het 'n hoë swaartepunt en kan sywaarts kantel as een wiel in 'n gat, sloot of ander onreëlmatigheid val, veral as 'n voltooide baal naby loslating is.
- Verhoog die opraper om bulte en struikelblokke te oorkom wanneer oor ongelyke terrein werk.
- Vermoed skerp draaie, as die trekker se wiele vir wye windrye gestel is, die baler se tong of skerp punte kan die agterste bande beskadig.
- Moet nooit take met 'n baalmasjien vinnig probeer doen nie.
- Hou veiligheidstekens skoon, leesbaar en vry van obstruksiemateriaal. Vervang beskadigde of vermiste veiligheidstekens met nuwes.
- Maak operateurs bewus van die betekenis van die gevaartekens.
- Wanneer groot ronde bale gehanteer word moet die grootte van die trekker ooreenstem met die grootte van die baal.



- 'n klein trekker kan teen 'n helling afgetoot word.
- Sonder voldoende traksie op grasagtige hellings kan die trekker maklik gly en buite beheer raak.
- Baie fatale ongelukke het al gebeur as bystanders verstrengel raak in die baalproses.
- Oorspronklike veiligheidskerms oor bewegende dele soos kettings, ratte en katrolle moet in posisie gelaat word om jouself en bystanders te beskerm.
- Die volgende meganismes benodig spesiale aandag:
- Harktande en baalspanningsbelde kan nie afgeskerm word nie en moet vermy word.
- Baalhek kan op 'n bystander toemaak.(Figuur 2). Jy as operateur moet seker maak niemand is naby voordat jy die toerusting aanskakel.
- Hitte kan opbou deur wrywing wanneer droë hooi in aanraking kom met foutiewe laers en belde.
- Boere het al gerapporteer dat bale kan begin brand agv hierdie wrywing en oorverhitting.
- Mense het al ernstige brandwonde opgedoen wanneer hulle hierdie brandende bale probeer blus het.
- Hou 'n droë chemikalië brandblusser byderhand.



Figuur 2. Maak seker dat geen persoon naby die agterste hek is wanneer dit opgelig of laat sak word nie.

25. Baalhantering op heuwels

- Gebruik van groot ronde balers op 'n helling is 'n groter gevaarsituasie as enige ander masjienbewerking.
- Bale op 'n helling het die potensiaal om teen die heuwel af te rol en deur heinings en kruispaaie te breek, wat lei tot beserings en potensiële skade aan eiendom.
- Oriënteer die baal altyd korrek voor die baal uit die baalkamer gelaat word.
- Soms beteken dit net dat die baler teruggestoot moet word om die baal op die regte hoek loodreg tot die helling uit te laat.
- Die doel is om seker te maak dat die baal veilig op die heuwel sal rus.
- Steil hellings kan vereis dat die baal na 'n plat plek gekarwy word voor uitwerping.



26. Hantering van groot ronde bale

- Klein vierkantige bale, weeg 35-85 kg, en is tradisioneel met die hand of met 'n baal laaier gehanteer en gepak,
- Groot ronde bale weeg gewoonlik tussen 200 en 1000 kg en moet meganies hanteer word.
- As gevolg van hul gewig, kan hierdie bale ernstige beserings veroorsaak as hulle oorrol of op 'n individu val.
- Baie boere gebruik vervoertoerusting ontwerp vir klein vierkantige bale om hierdie groter pakkette (soms met geringe aanpassings) te hanteer.
- Wanneer dit onbehoorlik gedoen is, kan dit lei tot besering of dood as gevolg van omslaan of platdruk.

VOERHANTERINGSTOERUSTING

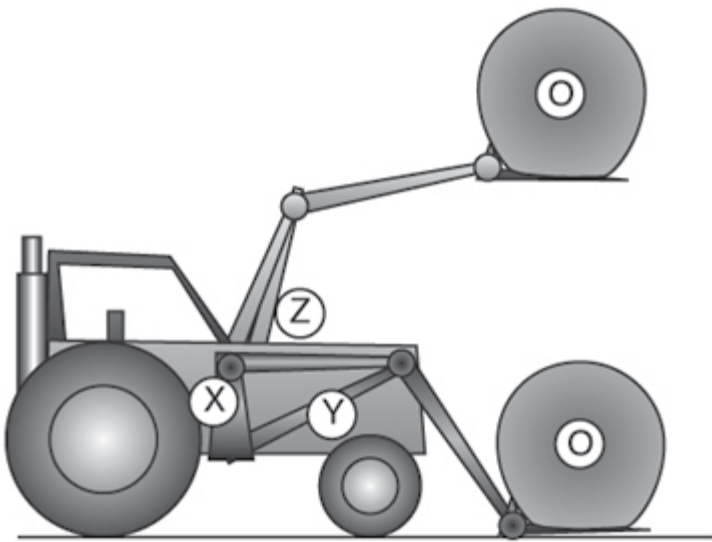
VOORLAAIGRAWE



- Baie boere gebruik voorlaaigrawe om groot ronde bale te beweeg en te stapel.
- Wees versigtig wanneer groot ronde bale of enige swaar vrag met 'n laaigraaf gehanteer word, sodat jy kan voorkom dat die laaigraaf omval en die baal oor jou rol.
- Dit is uiters belangrik dat die grootte van die trekker en laaigraaf behoorlik ooreenstem met die grootte en gewig van die bale wat hanteer word.
- Die verandering in die trekker se swaartepunt as gevolg van die bykomende gewig van die baal kan ook die trekker laat omkeer.



Figuur 3 toon wat gebeur met die swaartepunt.



Figuur 3. Die punt gemerk "X" is die normale swaartepunt van 'n voorlaaigraaf. As 'n groot baal bygevoeg word, beweeg die swaartekrag na 'n punt gemerk "Z". Wanneer die las gelig word, verskuif die swaartepunt en verhoog die kans van omslaan. Die punt gemerk "O" is die middelpunt van swaartekrag van die ronde baal.

- Die normale swaartepunt van 'n laaigraaf is op die punt gemerk "X"
- Wanneer 'n groot ronde baal op die voorlaaigraaf naby aan die grond gedra word, beweeg die middelpunt van die swaartekrag vorentoe, verteenwoordig deur punt "Y."
- Die punt gemerk "O", die helfte van die deursnee of lengte van die baal, is die baal se middelpunt van swaartekrag.
- Sommige operateurs dra die lading hoog vir verbeterde sigbaarheid.
- Maar wanneer die voorlaaigraaf hoog opgelig word, soos getoon, beweeg die middelpunt van swaartekrag na die punt gemerk "Z", wat beide vorentoe en hoër as die oorspronklike swaartepunt, "X" is.
- In die verhewe posisie, is die trekker minder stabiel en die potensiaal vir kantomrol neem toe.
- Visualiseer nou die trekker op 'n helling met twee wiele op die afdraande kant en twee wiele op opdraande kant.
- As die baal hoog opgelig word, word die swaartepunt hoër en die potensiaal vir die trekker om teen die heuwel af te rol neem toe.
- Dieselfde verskynsel word waargeneem met 'n stort/tiep vragmotor. Het jy al opgemerk dat geen stort/tiep vragmotoroperateur die vragmotor sal laat tiep/stort op 'n helling nie?
- Die kans vir 'n laaigraaf om na die kant toe om te val verhoog wanneer 'n vrag op effens rowwe terrein gedra word.
- Die vorentoe verskuiwing van die swaartepunt veroorsaak dat die gewig van die agterwiele na die voorkant verplaas word, dit maak dit baie makliker vir die agterste bande om van die grond af te wip wanneer oor knoppe of gate gery word.
- Die bykomende gewig op die voorste bande mag ook dalk die as en bande se vrag-dra vermoë oorskry.
- 'n Verlies van traksie vind plaas wanneer gewig oorgedra word vanaf die agterste bande tydens baalhantering. Dit kan 'n probleem wees wanneer bale teen 'n helling of op nat grond beweeg word.
- Verlies van traksie kan lei tot 'n verlies aan remvermoë op alle oppervlaktes.
- Gemonteerde voorlaaigrawe (sien tabel 2 vir bykomende veiligheidswenke) moet gebruik word wanneer die las behoorlik gebalanseerd is deur die toevoeging van gewigte aan die agterkant van die trekker.
- Hierdie addisionele gewig sal die middelpunt van swaartekrag terug na die oorspronklike middelpunt bring.



Table 2.Laaigraaf Veiligheidswenke.

- Moet nooit onder 'n opgeligte laaigraaf loop of werk nie.
- Lig of laat sak die voorlaaigraaf se arms stadig en geleidelik.
- Voorsiening moet gemaak word vir die ekstra lengte van die voorlaaigraaf wanneer draaie gemaak word.
- Wees versigtig wanneer los of verskuiwende vragte gehanteer word.
- Moet nooit 'n swaar vrag beweeg so lank as wat mense in die werksarea is nie.
- Bly van die buitenste rand weg wanneer op hoë walle en hellings gwerk word.
- Kyk vir oorhoofse drade en struikelblokke as jy die voorlaaigraaf oplig.
- Dra die vrag laag en kyk vir obstruksies op die grond.
- Gebruik altyd die aanbevole hoeveelheid teengewigte om goeie stabiliteit te verseker. Voeg die aanbevole wielballaste of agterste gewig by.
- Opereer die voorlaaigraaf net uit die operateur se sitplek.
- Verstel die wiele na die wydste aanbevole instellings om stabiliteit te verhoog.
- Moet nie enige persoon op die voorlaaigraaf, emmer of aanhegsels dra nie.
- Laat sak die voorlaaigraaf wanneer dit geparkeer is of gediens word.
- Maak seker dat 'n geparkeerde voorlaaigraaf op 'n ferm, gelyke oppervlak is en dat alle veiligheidstoestelle aan is.
- Gaan visueel na vir hidrouliese lekke en breke, ontbrekende of onklaar dele, en maak die nodige herstelwerk.
- Onder druk kan ontsnapende hidrouliese olie genoeg krag hê om die vel deur te dring, wat ernstige persoonlike beserings kan veroorsaak. Beserings as gevolg van olie wat die vel binnedring is baie moeilik om te behandel. Gebruik 'n stuk karton of papier om te kyk vir speldeprik lekke.
- Voor hidrouliese pype ontkoppel word moet die hele hidrouliese drukstelsel verlig word.
- Maak seker dat enige iemand wat die voorlaaigraaf hanteer bewus is van veilige bedryfstelselpraktyke en potensiële gevare.
- Die verlenging van die tande van 'n voorlaaigraaf mag lyk soos 'n goeie manier om die probleem op te los, maar wanneer dit gedoen word, word die trekker se swaartepunt vorentoe geskuif. Ekstra las word op die voorlaaigraaf, die hidrouliese stelsel en trekker se voorkant geplaas.
- Alle trekkers wat gebruik word om bale mee te hanteer moet met omrol- beskermende strukture, soos 'n beskermende kajuit of 'n rolstaaf met 'n kap, toegerus wees.
- Trekkeroperateurs moet te alle tye sitplekveiligheidsgordels gebruik wanneer die trekker in werking is, ongeag van die taak wat verrig word.

Baalhanteringstoestelle

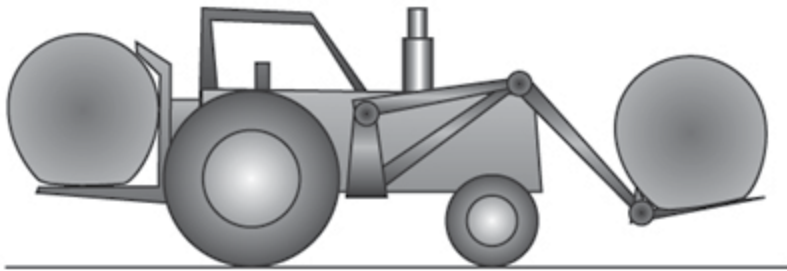
'n Groot verskeidenheid baalhanteringstoestelle is op die mark verkrygbaar. Drie-punt koppelwurke wat deur die baal stoot en vingers wat aan die kante van die bale gryp, is beskikbaar. Weet waar die swaartepunt is wanneer hierdie toerusting hanteer word, veral as die vrag ver na die agterkant van die trekker leun. Dit kan die trekker se hidrouliese stelsel oorlaai, die verligtingsklep sal oopmaak, en die oplig-aktueerders sal nie opkom nie.

Vermyn die oplig van bale met 'n agterste 3-punt hyster tot 'n hoogte waar die trekker se voorste wiele skaars in kontak is met die grond. Dit veroorsaak stuur en stabiliteitsprobleme. Ten minste 30 persent van die gewig van die trekker moet op die voorwiele bly.

Dit is beter om bale met die agterste aanhegsels eerder as met die laaigraaf te hanteer. Agterbande is beter geskik om die ekstra gewig te dra, en daar is minder kans vir sydelingse omval omdat die baal nie so hoog opgelig hoef te word nie.



Daar is 'n moontlikheid vir agteroorval. Die baaldrameganisme sal verhoed dat die trekker agteroor slaan. Sommige operateurs gebruik beide 'n agter gemonteerde baalhanteerder en 'n voorlaaigraaf. (Figuur 4). Dit sal stabiliteitsprobleme verminder, maar maak seker dat die baal se gewig nie meer as die band-dra vermoë van óf die voorste of agterste bande is nie.



Figuur 4. Agter en voor baal-hantering toestelle.

Indien moontlik, probeer baalhanteringstoestelle op redelik gelyk grond te bedryf. Wanneer die baal met 'n laaigraaf teen 'n helling opgetel word, moet die baal teen die helling op gespies word. Sorg moet geneem word wanneer oor 'n helling gery word om 'n baal op te laai. Die operateur moet dalk die bale in die baler na 'n veiliger plek vervoer, voor die uitwerping.

Wanneer 'n laaigraaf gebruik word om ronde bale teen 'n helling op 'n sleepwa te laai, moet die sleepwa oor die helling gery word en die vrag van die opdraande of afdraande kant gelaai word. Moet nooit probeer om 'n tweede laag bale op 'n sleepwa te plaas wat teen 'n helling staan nie. Om dit te bereik moet die trekker oor die helling ry en die potensiaal vir omslaan verhoog.

VERVOER

Spesiale lae- grondvryhoogtesleepwaens wat 4 tot 10 bale dra en ook bale direk van die grond kan oplaai is verkrygbaar. Hierdie eenhede word vir die verskuiwing van bale verkies omdat hulle probleme met oorklading van hidrouliese stelsel verminder of elimineer en potensieël omslaan verlaag. Hulle kan ook meer as een of twee bale op 'n keer hanteer.

Aangesien hierdie sleepwaens 4 tot 10 bale kan dra, kan daar 'n probleem met die stop van die vrag wees. Op 700 kg per baal, is die vraggewig tussen 3 en 7 ton. Voeg die gewig van die sleepwa hierby en die totale gewig is 9 ton. Die trekker moet die regte grootte wees om die gewig veilig te stop.

Gebruik 'n laer rat teen 'n afdraande, aangesien die trekker se remme alleen nie in staat sal wees om die las te stop nie. Teen 'n opdraande, moet ook 'n laer rat, gebruik word sodat jy nie die vrag met die trekker remme hoef te hou terwyl die ratte teen die helling verander word nie. Moenie probeer ratte verander teen 'n afdraande, begin afdraande in 'n laer rat.

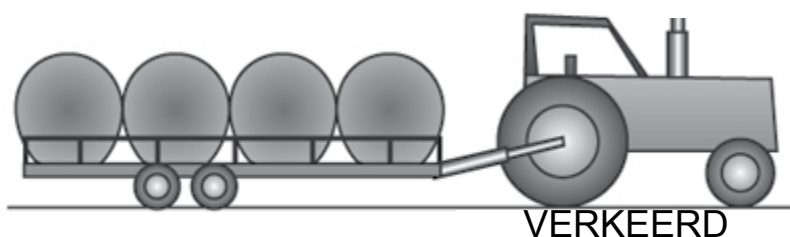
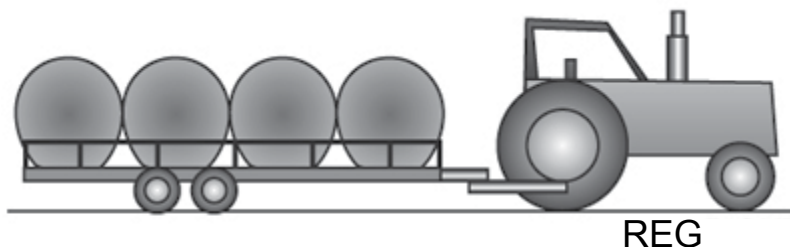
Installeer remme op enige sleepwa wat swaar vragte dra. Moet nooit 'n hooisleepwa op die snelweg bedryf wat nie toegerus is met remme nie. Dit maak stop makliker en veiliger. Sleepwaens kan toegerus word met 'n elektriese, hidrouliese, of oplewingsrem. Die meeste modelle kan toegerus word met 'n wegbreektoestel wat die remme sal sluit indien die sleepwa van die sleepvoertuig losbreek.

Hou mense weg van die gebied tussen die sleepwa en trekker tydens koppeling. Handseine moet gebruik en verstaan word deur beide die operateur en diegene wat bystaan (sien Tabel 3 vir veiligheidswenke). Haak die sleepwa net aan die trekstang; Moet nooit aan enige ander punt aan die trekker heg nie. (Figuur 5). Verseker dat die trekker se trekstang in die laagste, mees gesentreerde en vaste posisie is. Dit sal verseker dat die trekker se voorwiele reguit beweeg en bied ekstra stuurbeheer. Gebruik 'n veiligheidskoppelsluitpen en beveilig die sleepwa met kettings.



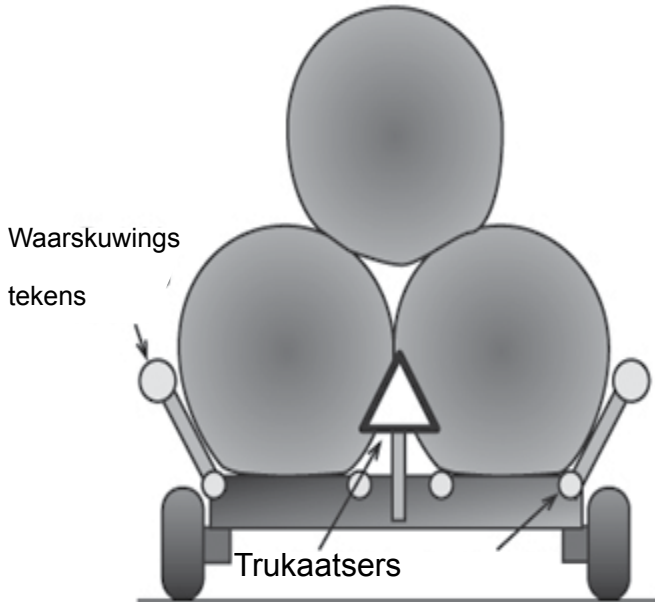
Table 3. Trekker Operasionele Veiligheidswenke.

- Die meeste balerbeseerings en sterftes kom voor wanneer bale van die laaivurk of emmer op die operateur uitrol.
- Ken die trekker, die implemente en weet hoe hulle werk. Wees deeglik vertrouwd met beide die operateur se handleiding en die trekker self voor die aanvang van die taak.
- Ken die kontroles, waar hulle geleë is en hoe dit werk. Oefen om die trekker en die kragaftakas vinnig te stop in die geval van 'n noodgeval.
- Gebruik omrol- beskermende strukture en sitplekgordels. Die meeste trekkersterftes word veroorsaak deur omval.
- Wees vertrouwd met die terrein en ry veilig. Wees versigtig op hange, ry stadiger by alle draaie.
- Terwyl op die snelweg, gebruik gepaste beligting en volg al die reëls van die pad.
- Moet nooit aan 'n enjin in 'n geslote skuur of motorhuis werk nie. Koolstofmonoksied is kleurloos en dodelik.
- Hou die kragaftakas behoorlik beskerm.
- Hou aanhaakplekke laag en sleep of trek altyd met die trekstang. Die trekker is so ontwerp dat dit nie sal agteroor slaan indien die vrag behoorlik aan die trekstang gehaak is nie.
- Moet nooit die agterwiele met 'n stuk hout vasketting om gly te voorkom nie. Die trekker kan "oorgewring" word. Die wringkrag sal die trekker lig (eerder as om die wiele te draai) en dit agteroor laat slaan.
- Moet nooit van 'n bewegende trekker afspring of die enjin aanlos en loop nie. Moet nooit probeer om op 'n wegholtrekker te spring nie, dit is uiters gevaarlik.
- Moet nooit die brandstoftenk hervul terwyl dit loop nie.
- Moet nooit 'n oorverhitte trekker hervul met brandstof nie.
- Moet nie koelmiddel en water in 'n verkoeler gooi terwyl die enjin warm is nie; verkoeler- koelmiddel kan uitkook en jou brand.
- Hou kinders te alle tye weg van die trekker, implemente en aanhangsels.
- Moet nie haastig wees nie. Neem jou tyd, neem 'n breek en doen dit reg.
- Hou veiligheidstekens skoon, leesbaar en vry van materiaal. Vervang beskadigde of vermiste veiligheidstekens met nuwes.
- Maak alle operateurs bewus van die betekenis van die gevaartekens.
- Moet nie wye vragte na daglig ure, in swak sig of slegte weer vervoer nie



Figuur 5. Haak net aan die trekker se trekstang. Aankoppel op ander plekke verhoog die kans dat die trekker sal omslaan.

- Sleepwabande moet die regte banddruk hê wanneer rondebale op n teerpad vervoer word.
- 'n Stadigbewegendevoertuig- teken moet skoon en sigbaar gemonteer wees. (Figuur 6) Enige verslete en dowwe tekens moet vervang word.
- Onthou alle plaasvoertuie is onderhewig aan padverkeersreëls.
- Ronde bale moet met bande, met n breekkrag van 1.5 ton, vasgemaak word.
- Moet nie bale langs mekaar op 'n wa pak nie. Dit sal 'n wye onwettige vrag veroorsaak.



Figuur 6. 'n Sleepwa toegerus met weerkaatsers en waarskuwingsligte.

- Moenie toelaat dat bale teen die sleepwa se bande rus nie.
- Teen die vervoerspoed, kan die wrywing van die hooi teen die roterende band genoeg hitte genereer om die hooi aan die brand te steek.
- Onthou dat sleepwaens wat deur 'n bakkie getrek word 'n vinniger vervoerspoed as trekkers het, en voldoende hitte om 'n brand te veroorsaak kan in 'n kort afstand genereer word. (1 km).
- Sleepwavure is moeilik om te beheer en kan tot die verlies van hooi, sleepwa en trekker of bakkie lei.
- Terwyl jy op die snelweg met enige voertuig ry, moet jy verseker dat die bestuurder kan sien, en gesien kan word.
- Gebruik flitsende ligte en monteer 'n stadigbewegende teken.
- Laat tyd toe om in en oor die verkeer te trek.
- Vermy skielike, wisselvallige, of onverwagte bewegings.
- Hou aan die linkerkant, trek af op 'n veilige plek om verkeer verby te laat.
- Moet nooit vir motoriste wuif om verby te kom nie. Laat hulle op hulle eie diskresie verby kom.
- Dui vroegtydig aan wanneer jy wil draai en maak seker niemand kom verby wanneer jy regs wil draai.
- Trek heeltemal van die pad af as iets verkeerd gaan.



29. Bewustheid

- Moegheid is dikwels 'n operateur se mees algemene fisiese probleem.
- Lang werksdae en die druk wat verband hou met baal en voerinsameling kan uitputtend wees.
- Moegheid kan reaksietyd vertraag, geheue benadeel, en selfs hallusinasies veroorsaak.
- 'n Veiligheidsbreek, wat insluit strek, diep asem te haal, en van tyd tot tyd rond te loop, kan help om die gevolge van moegheid of verving te voorkom.
- As jy lomerig voel, stop en neem 'n koppie koffie, koeldrank of sop.
- As jy nog steeds lomerig voel, staak operasies wat jou volle aandag nodig het.
- Groot ronde bale is 'n goeie metode van oes, berging en karwei van hoogewasse, maar hou veiligheid in gedagte.
- Veiligheid, in die finale analise, is grootliks 'n kwessie van gesonde verstand en geduld.
- Die meeste vervaardigers het toerusting ontwerp en gebou met jou veiligheid in gedagte.
- Die uiteindelijke verantwoordelikheid vir die veilige en behoorlike werking lê by die operateur.

KUILVOER KERWER

Die foto hieronder toon 'n kuilvoersnymasjien wat op 'n plaas gebruik word om kuilvoer mee te sny:



6.1. Verduidelik DRIE veiligheidsmaatreëls wat nagekom moet word wanneer met hierdie masjien gewerk word.

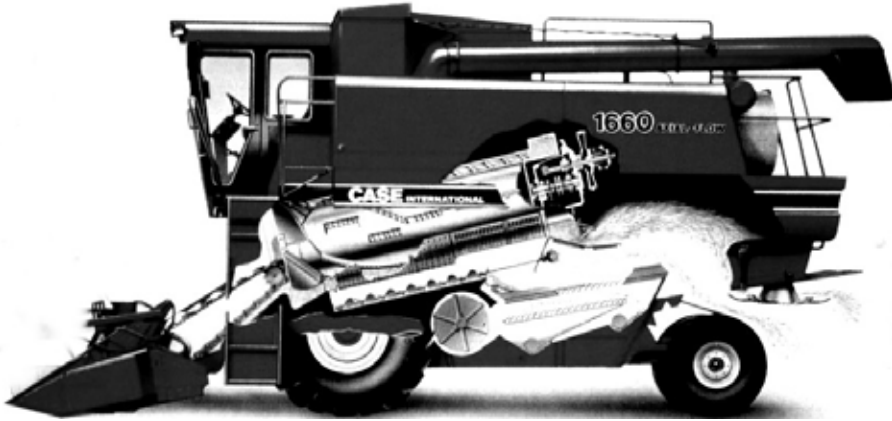
- Moenie toelaat dat mense of diere naby die lemme of werkende dele van die masjien kom, terwyl dit werk nie.
- Maak seker dat al die veiligheidstoestelle in plek en in werkende toestand is.
- Geen persoon, anders as die operateur mag op die masjien ry of klim nie.

6.2 Beskryf die prosedure wat gevolg moet word wanneer hierdie masjien vir werk voorberei word.

- Alle ghriespunte moet deeglik gehries word.
- Alle bande of kettings moet na die korrekte spanning gestel word.
- Maak seker dat alle dele korrek funksioneer deur dit stadig te laat werk.
- Vervang alle geslete dele onmiddellik, veral die snylemme.
- Diens volgens vervaardigers spesifikasies.
- Lig alle stofskerms op.
- Maak seker dat daar geen skade aan lemme is nie en dat hulle skerp is.



STROPER S



1 Beskryf die rol van rekenaars en satelliet posisioneringstelsels in die moderne stroper.

- Rekenaars help jou om die opbrengs op elke spesifieke plek op die land te bepaal.
- Rekenaars help jou om probleme in die meganika van die stroper raak te sien wat verhoed dat mielies gemors word.
- Help om voedingstekorte in jou land te identifiseer.
- Help om probleemareas te identifiseer in jou mielieland.

a)

2 Bespreek die oes van mielies met 'n stroper

- Die masjien sny die hele plant en voer dit aan die dorsmasjien.
- Die hamers, sif en blasers skei die kaf van die graan.
- Mieliepitte/Graan versamel in die stroper se opgaardrom.
- Wanneer vol, word die mielies gestort in 'n vragmotor en na die mielieagent of koper vervoer.
- Kaf/mieliereste kan opgevang word vir voer.

3 Noem 'n paar probleme wat kan opduik wanneer 'n stroper gebruik word.

- a. Verlies van meliepitte agv waaiers wat verkeerd gestel is.
- b. Dorser breek die pitte.
- c. Te veel vreemde deeltjies.
- d. Meganiiese probleme.
- e. Kan nie stroop wanneer dit gereën het en die melies nat is nie



4 Noem die voordele van 'n stroper.

- 'n Baie vinnige manier om jou oes van die land in te samel.
- Baie betroubare metode van oes.
- Ekonomies.
- Arbeidsbesparing.
- Akkurate rekordhouding
- Rekenaars doen die hele oesproses met min insette van die bestuurder.
- Enkelwerkend.

5. Noem 'n manier om mielies van 'n klein landjie te oes. En beskryf dit kort.

HANDPLUK

- i) Die koppe word met die hand gepluk en in sakke geplaas.
- ii) Dit word dan vervoer na 'n sentrale plek, waar die dorsmasjien die pitte van die koppe verwyder.
- iii) Plaas in sakke met 'n netto massa van 70 kg.

6. Hoe moet 'n stroper gestel word?

- a) Effektief te werk teen die laagste brandstofkoste.
- b) Onkruid te beheer deur te sny en dan te bedek met grond.

7. Hoekom is dit belangrik om 'n stroper reg te stel?

- a) As nie korrek gestel is nie, mag pitverliese voorkom as gevolg van:
 - Pitte wat nie van die stronke verwyder word nie
 - Of die waaiers blaas die pitte uit.
- b) Indien die dromspoed nie korrek gestel is nie kan die stropers die pitte breek.

HAMERMEUL

1. Noem die faktore wat in aanmerking geneem moet word wanneer 'n hamermeul gebou/gekoop word.

- a) Stewige konstruksie.
- b) Onderdele wat slyt moet maklik vervangbaar wees.
- c) Rotorhulsel moet dig sluit.
- d) Grootte van die hopper/inlaatgeut se inlaatopening

2. Noem die onderdele van die hamermeul en die gebruike van elke onderdeel.

- a) Raamwerk Huisves die skutplate en slytplate.
- b) Hopper Help met die voerproses
- c) Rotor en hamers Maal die voer fyn
- d) Siwwe Bepaal die grootte van die finale gemaalde produk
- e) Waaier Blaas die gemaalde voer deur die skerms.
- f) Sikloon Skei die gemaalde voer van die lug /Stofvrystelling.



3. Noem VIER punte wat in aanmerking geneem moet word wanneer 'n hamermeul geïnstalleer word.

- a) Dit moet op só 'n wyse geïnstalleer word dat dit met gemak hanteer kan word.
- b) Dit moet op 'n goed geventileerde plek geplaas word.
- c) Voer moet langs die hopper afgelaai kan word.
- d) Hamermeul moet naby 'n voermenger geplaas word.

4. Wat is die voordele daaraan verbonde om 'n hamermeul op 'n gelyke oppervlak te installeer?

- a) Die gewig van die bewegende dele word eweredig oor die laers versprei.
- b) Die sikloon hang gelyk met die blaaspyp.
- c) Dit lyk netjies.

5. Wat is die hooforsaak van metaaldegenerasie by 'n hamermeul?

- a) Vibrasie
- b) Slytasie
- c) Roes

6. Hoe kan voorkom word dat 'n hamermeul vibreer?

- a) Masjiene wat oormatig vibreer, moet teruggestuur word na die vervaardiger.
- b) Nuwe stelle hamers moet nagegaan word om seker te maak dat hul gewig dieselfde is.
- c) Alle hamers moet op dieselfde tyd omgedraai of vervang word.
- d) Hamers wat omgedraai is, moet in hul oorspronklike plekke teruggesit word.
- e) Daar moet niks by die rotor gevoeg of weggeneem word nie.
- f) Laat loop die hamermeul teen die regte spoed.
- g) Hamermeul moet behoorlik geanker wees.

7. Noem die veiligheidsmaatreëls wat in aanmerking geneem moet word wanneer met 'n hamermeul gewerk word.

- a) Moenie aan die masjien werk terwyl dit nog steeds beweeg nie.
- b) Maak seker dat daar geen los voorwerpe binne-in die masjien is wanneer dit aangeskakel word nie.
- c) Dra 'n skermbril.
- d) Moenie die masjien gebruik as die rotor uit balans is nie.
- e) Aandryfmeganisme moet afgeskerm wees.
- f) Gebruik in 'n goed geventileerde area.
- g) Klein stukkies afvalmetaal moet weggehou word van voer. Dit kan 'n vonk veroorsaak wat tot 'n ontploffing kan lei.



8. Noem ses aspekte wat spesiale aandag moet geniet by die instandhouding van die hamermeul.

- a) Gereelde smering.
- b) Hamers moet met die regte soort vervang word.
- c) Hamermeul moet reg geanker wees.
- d) Kragaftakaskoppeling moet reg gedoen word.
- e) Maak skoon na elke gebruik.
- f) Siwwe en skerms moet op 'n gereelde grondslag nagegaan word.

9. Noem vier punte om in aanmerking te neem wanneer die hamermeul aan die kragaftakas van die trekker gekoppel word.

- a) Maak seker dat al die ankerboutte van 'n statiese masjien stewig is.
- b) Maak seker dat die kruiskoppelings goed gehries is.
- c) Maak seker dat die aandryfasskerm teenwoordig en sonder krake is.
- d) Maak seker dat die aandryfas so reguit moontlik is.

TREKKER HIDROULIESEKRAAG LIGTERSISTEME

1. Noem die voordele van die gebruik van transmissie-olie in trekkerhidrouliese sisteme.

- a. Nie saampersbaar nie.
- b. Goeie smeereienskappe.
- c. Bly in 'n vloeistofvorm oor 'n wye temperatuurspeling .
- d. Nie vlugtig.
- e. Relatief goedkoop.
- f. Maklik geleibaar/vervoerbaar in pype.
- g. Vloei deur filters, pype, oliepompe en silinders met gemak.
- h. Bevat skoonmaakmiddels wat onderdele skoon hou.

2. Wat aktiveer die beheerklap van 'n trekker?

Die operateurs beheerhefboom.

3. Noem die twee tipes hidrouliese silinders.

- a. Enkelwerkende hidrouliese silinders.
- b. Dubbelwerkende hidrouliese silinders.

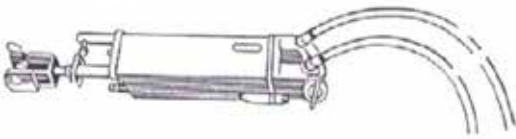


4. Beskryf die werking van die enkelwerkende hidrouliese silinder.



- Die suier-tipe pomp word van die trekker se enjin aangedryf en veroorsaak 'n hoë oliedruk in daardie deel van die sisteem tussen die pomp en die beheerlep.
- Die oomblik as die operateur die beheerlepsiuer na regs beweeg, vloei die olie onder druk via die eenrigtinglep na die silinder en druk die suier en stang uitwaarts.
- Sodra die beheerlep in die teenoorgestelde rigting beweeg, word 'n klein gaatjie in die beheerlep ontbloot, wat toelaat dat olie in dieselfde pyp in 'n terugwaartse rigting na die oliehouer vloei.
- Die gewig van die implement druk nou die suier terug na sy oorspronklike posisie.

5. Beskryf die werking van die dubbelwerkende hidrouliese silinder.



- Wanneer die beheerhefboom in die neutrale posisie is, word die olie deur die oliepomp tot by die beheerlep gepomp vanwaar dit deur die oliefilter na die oliehouer teruggepomp word.
- Sodra die beheerhefboom na die oplig posisie beweeg word, rig die beheerlep die olie wat onder druk verkeer na die suierkant van die hidrouliese silinder om sodoende die suier na regs te beweeg en so die implement op te lig.
- Ten einde die implement in die grond in te forseer, word die beheerhefboom deur die operateur na die "sak" posisie beweeg en nou rig die beheerlep die hoë oliedruk met behulp van die ander pyp na die stangkant van die silinder om sodoende die suier na links te laat beweeg.
- Op hierdie wyse word die implement in albei rigtings op 'n positiewe wyse vanaf die operateur se sitplek beheer.

6. Watter kant van die dubbelwerkende hidrouliese silinder is die sterkste?

Die "insteek"-krag rigting is swakker as die "oplig"-krag rigting as gevolg van die area wat aan die oliedruk in die silinder onderwerp word.

Die kant van die silinder wat die stang het, is swakker as die ander kant.

7. Wie het die driepuntmeganisme ontwerp?

Harry Ferguson.

8. Wat is die funksie van die nielleerikas?

Die dwarshelling van die implement ten opsigte van die trekker te wysig.



9. Wat is die funksie van die boonste stang?

Die implement se helling te verstel met betrekking tot die trekker se beweegrigting.

10. Die foto hieronder toon 'n kragaftakas wat as 'n aandryfskakel, tussen die trekker en die implement, gebruik word.



10.1 Noem die toestel wat die kragaftakas in staat stel om teen 'n hoek te werk.

Kruiskoppeling.

10.2 Gee die funksie van die ghriesnippels wat op hierdie toestel geïnstalleer is.

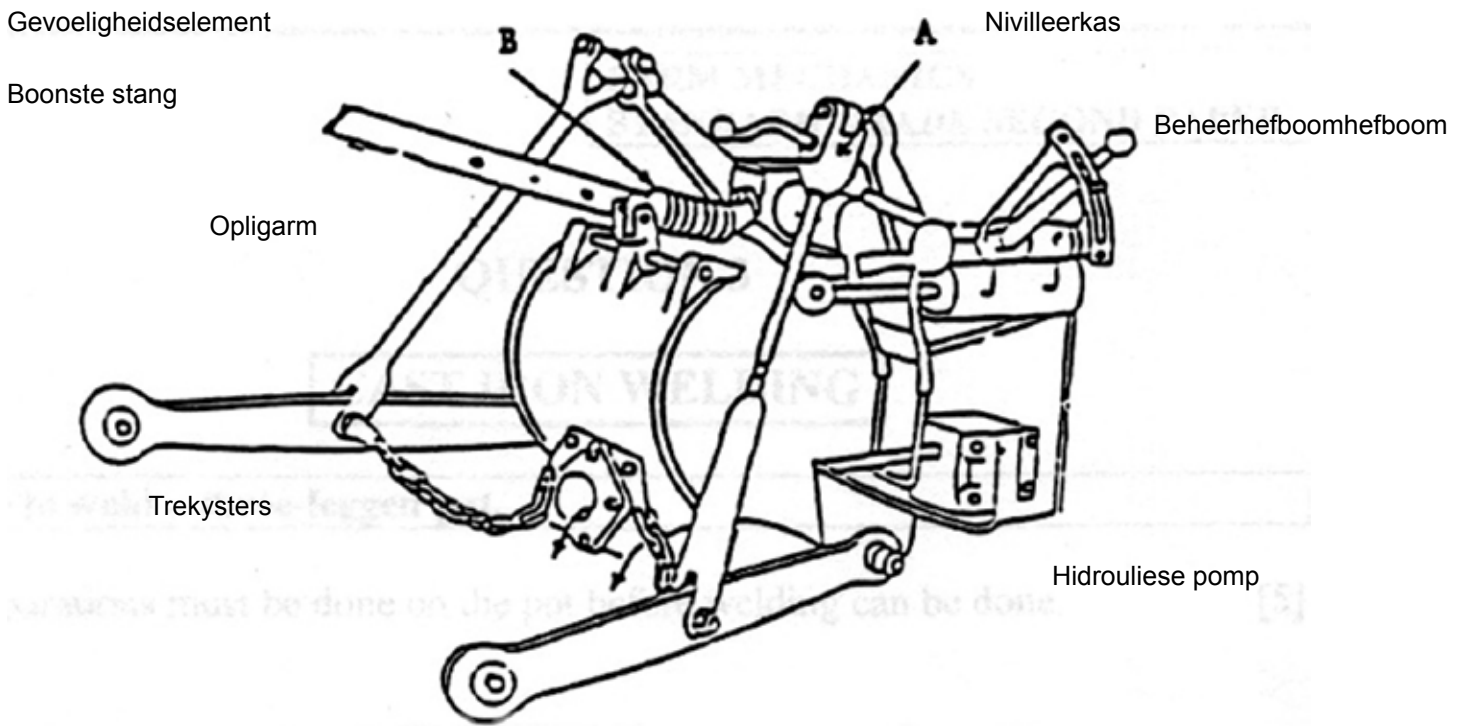
Om die gewigte gereeld te smeer/ghries

10.3 Die kragaftakas moet altyd afgeskerm wees om beserings aan mense te voorkom. Noem TWEE vereistes vir hierdie skerms.

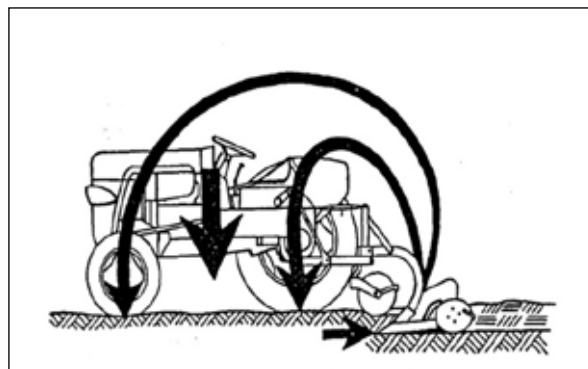
- a. Sterk.
- b. Nie los raak.
- c. Gewigbesparing.
- d. Moet voldoende / doeltreffend beskerming meebring.



11.'n Skets van die tipiese driepuntmeganisme.



12. Die illustrasie hieronder toon 'n trekker wat 'n ploeg trek.



12.1 Analiseer die illustrasie en beskryf kortliks wat pyl A illustreer. Gee 'n rede vir jou antwoord.

Die illustrasie toon hoe die ploeg neig om die voorwiele af te stoot wanneer 'n boonste stang tussen die ploeg en trekker gekoppel word.

12.2 Wat sal gebeur indien die boonste stang tussen die trekker en die ploeg verwyder word?

Die agterkant van die ploeg sal neig om op te lig uit die grond of die neus van die trekker sal neig om op te lig.

12.3 Noem drie maniere hoe 'n trekker se massaverplasing positief verander kan word.

- Verminder die trekkrag op die trekstang.
- Verlaag die trekstang se aahegtingspunt.
- Verhoog die as-afstand van die trekker.



13 .Noem die drie maniere waarop 'n trekker se massaverplasing negatief verander kan word.

- a. Deur die trekstangtrekkrag te vergroot.
- b. Trekstang se aanhegtingspunt op die trekker hoër te maak.
- c. Verklein die as-afstand van die trekker.

14. Noem die drie faktore wat 'n invloed het op die dieptebeheersisteam van 'n trekker.

- a. Ploegdiepte. Hoe dieper geploeg hoe meer weerstand.
- b. Grondweerstand.
- c. Voorwaartse snelheid van bewerking.

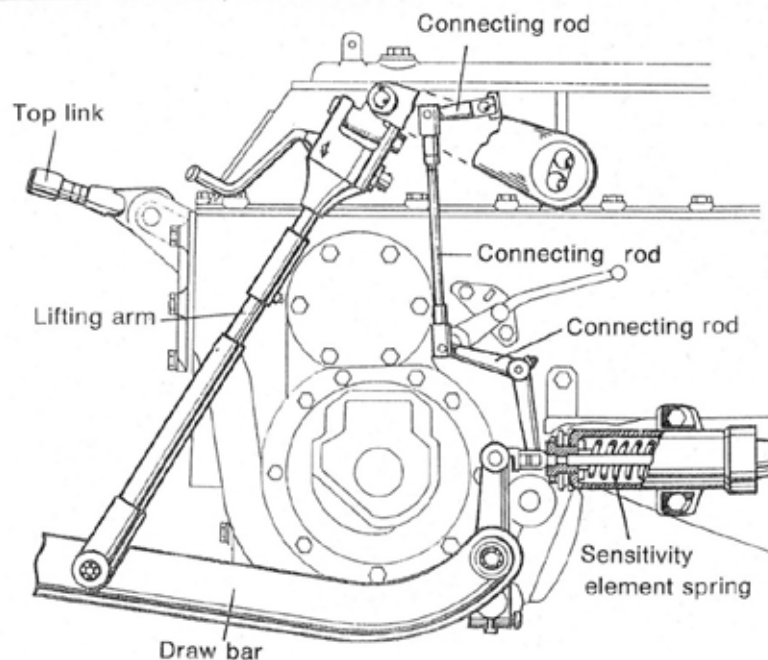
15. Wat is die funksie van die gevoeligheidselement?

Sy funksie is om die hidrouliese sisteem op 'n gegewe oomblik te prikkel bv. wanneer die ploeg te diep indring of wanneer dit harde grond tref, sodat die hidrouliese stelsel die nodige regstelling kan maak om die probleem te oorkom.

16. Waar kan die gevoeligheidselement op die trekker geïnstalleer word.

- a. Waar die boonste stang aan die trekker koppel.
- b. In die ewenaaromhulsel
- c. Aan die trekker waar die twee trekysters monter.

17. 'n Skets van die posisie van die gevoeligheidselement.



18. Wat word die gevoeligheidselement ook genoem?

Outomatiese dieptebeheermeganisme.



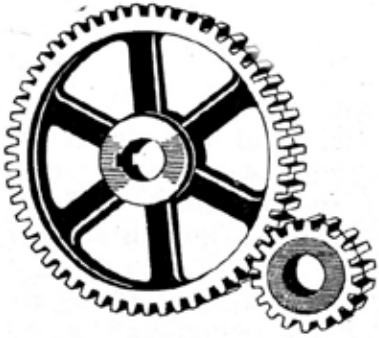
10. RATTE EN RATKASTE

1.Noem die drie tipes ratte wat gewoonlik in ratkaste gebruik kan word. Skets elkeen en beskryf elkeen kortliks.

a. Reguittandrat

Die tande van die rat loop dwars oor die buitenste oppervlak van die rat.

Nadeel - Raserig



b. Heliese rat

Tande loop teen 'n skuins hoek oor die buitenste oppervlakte van die rat.

Voordele – Hou lank.

Nadeel – Word na die kant geforseer agv skuins hoek van tande, veral wanneer swaar belas.

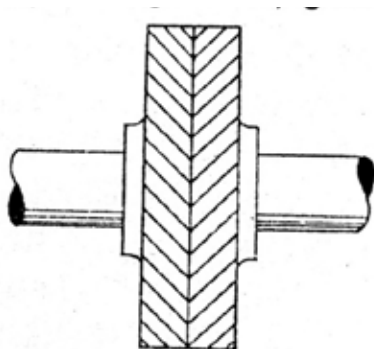


c. Dubbel heliese rat.(Visgraat rat)

Die tande loop skuins in albei rigtings. Lyk soos 'n visgraat

Voordele- Baie min slytasie.

Nadeel - Kan nie gebruik word in ratkaste van motors, want dit kan nie van die kant af inkom nie.



2.Noem die drie tipes ratkaste.

- a. Skuifrattipe ratkas.
- b. Konstant inkammende ratkas.
- c. Gesinkroniseerde ratkas.

3.Noem die drie aste wat in die ratkas van 'n motor gevind word.

- a. Hoofas
- b. Tussenas.
- c. Dryfas.

4.Bepaal die spoedverhouding indien die dryfrat 50 tande en die gedrewe rat 25 tande het?(Toon alle berekeninge)

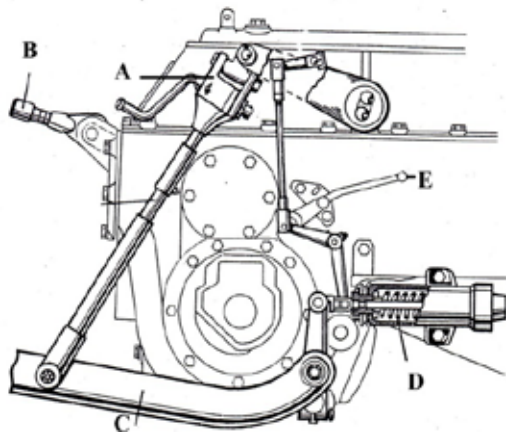
$$\text{Verhouding} = \frac{\text{Dryfrat}}{\text{Gedrewe rat}}$$

$$= \frac{50}{25}$$

$$= 2$$

- a. Verhouding = 1:2

5. Bestudeer die illustrasie van die meganiese stelsel van die trekker en beantwoord die vrae wat volg:



5.1 Wat is die naam van hierdie meganisme?

Drie punt meganisme.

5.2 Noem die dele gemerk van B tot E.

- B. Boonste stang.
- C. Die opligarm.
- D. Gevoeligheidselement.
- E. Beheerhefboom.



5.3 Beskryf die funksie van A.

Die dwarshelling van die implement ten opsigte van die trekker te wysig.

5.4 Verduidelik wat sal gebeur met die implement indien deel B verwyder sou word.

Die agterkant van die implement sal nie lig as die ploeg opgelig word nie.

Voorwiele sal neig om op te lig onder swaar belasting.

Ploeg se agterkant sal uit die grond lig wanneer trekker vorentoe beweeg.

5.5 Wat is die funksie van D.

Laat sak die ploeg sodat die ploegdiepte konstant bly terwyl daar geploeg word.

11. Dryfbande

1. Noem die voordele van plat dryfbande:

- Maklik om te installeer, of af te haal.
- Werk oor 'n lang afstand.
- Maklik verleng of verkort word.
- Maklik gelas.
- Kan maklik oor 'n katrol tussen twee laers gebruik word sonder om die laers te verwyder.

2. Noem die nadele van plat dryfbande:

- Indien die katrolle waaroor hulle hardloop nie in lyn en akkuraat is nie, is die belt geneig om afgegooi te word.
- As hulle nie gereeld gesmeer word nie, is hulle geneig om op die katrol te glip.
- Wanneer platbande onder uiterste spanning geplaas word, kan hulle maklik van die katrol glip of breek.
- Hierdie tipe van die band is onderhewig aan strek en / of krimp.

3. Noem die voordele V-bande:

- V-bande glip nie maklik van katrolle af nie.
- V-bande trek stywer om katrolle wanneer spanning toeneem.
- Smeer is nooit nodig nie.
- V-bande is relatief sterk, en breek nie maklik onder normale omstandighede nie.
- Koue, nat toestande, ouderdom of gebruik veroorsaak nie dat V-bande rek of krimp nie.
- V-bande hou langer as plat bande.

4. Noem die nadele van V-bande:

- V-bande is moeiliker om te installeer as plat bande.
- V-bande word gewoonlik nie vervaardig in baie lang lengtes nie.
- V-bande kan nie gelas word nie.
- Wanneer die katrol waaroor 'n V-belt loop tussen twee laers gemonteer is, moet die een laer eers verwyder word voordat die V-belt oor die katrol geplaas kan word.
- V-bande is baie gevaarliker as plat bande.



5. Noem ses vereistes vir die skerms wat gebruik word vir die beskerming van implemente.

- Moet netjies lyk.
- Beskerm die toerusting.
- Maklik verwyder en vervang.
- Moet nie los raak.
- Gewigbesparing.
- Alle ongewenste voorwerpe uithou.

6. Gee die formule vir die berekening van spoedverhoudings van katrolle.

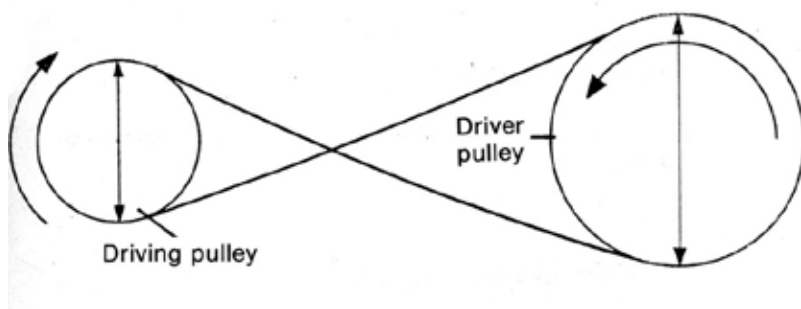
$$N_a \times D_a = N_g \times D_g$$

N_a = Spoed van die aandryfkatrol

D_a = Deursnee van die aandryfkatrol.

N_g = Spoed van die gedrewe katrol.

D_g = Deursnee van die gedrewe katrol.



7. In watter rigting moet die kragaftakas draai

Klokgewys

8.Noem die vier tipes kragaftakdryfaste.

- Gewone tipe kragaftakas
- Lewendige kragaftakas
- Grondwielaangedrewe kragaftakas
- Onafhanklike kragaftakas

9.Watter tipe kragaftakas stel die operateur in staat om die kragaftakas te stop terwyl die trekker nog vorentoe beweeg?

Onafhanklike kragaftakas

10.Noem die twee tipes trekstange.

- Vaste trekstang.
- Swaiende trekstang.



11. KOPPELAARS

1. Noem die redes vir die installering van 'n koppelaar op 'n trekker.

- a. Aandrywing moet ontkoppel word wanneer ratte verwissel word.
- b. Aandrywing moet ontkoppel word wanneer die trekker aangeskakel word.
- c. Die koppelaar moet ontkoppel word om enjin spoed te verhoog en dan groter wringkrag te gee aan die kragaftakas.
- d. Stel die operateur in staat om die trekker, bandkatrol of kragaftakas tot stilstand te bring sonder om die enjin af te sluit.

2. Eienskappe van 'n goeie koppelaar:

- a. Dit moet glad koppel en nie vasslaan, gly of sidder nie.
- b. Dit moet in staat wees om die maksimum vrag van die enjin af oor te dra sonder om te gly.
- c. Wanneer die koppelaar ontkoppel word, moet dit heeltemal ontkoppel en nie geneig wees om te sleep.
- d. Die koppelaar moet van so 'n aard wees dat dit gemaklik met die hand of voet ontkoppel kan word.
- e. Die wrywingsmateriaal wat gebruik word op die koppelaarplaat moet nie net hoogs slytasiebestand wees nie maar moet ook hoë temperature kan weerstaan.

3. Noem die vier tipes koppelaars.

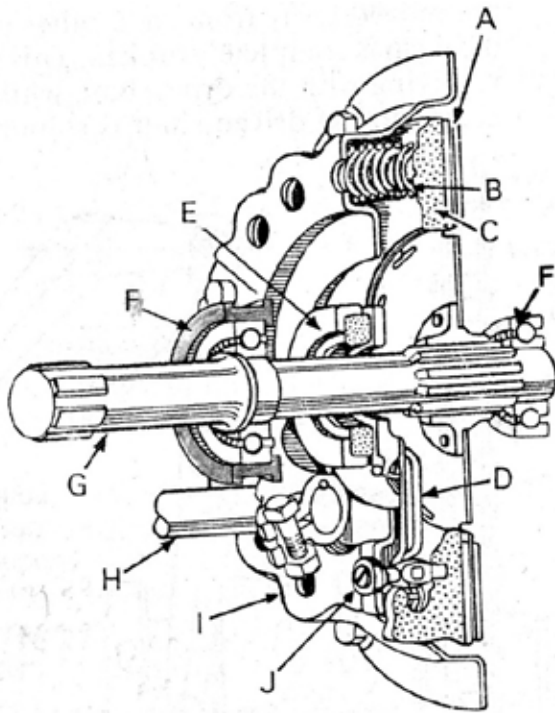
- a. Enkelplaatkoppelaar.
- b. Multiplaatkoppelaar.
- c. Kloukoppelaar.
- d. Hidrouliese koppelaar.

4. Waarvan word koppelaarvoerings gemaak?

Asbes.



5. Skets van die koppelaar.



A - Wrywingsmateriaal

B - Drukvere

C - Drukplaat

D - Hefboom

E - Druklaer

F – Hooflaer/Pilot bearing

G - As

H – As wat verbind is aan koppelaarpedaal

I - Rugplaat

J – Verstelmoer vir onttrekking hefboom (D)

EWENAAR

1.Noem drie redes waarom ewenaars in die agterste asse van trekkers/ motors aangebring word.

- Die verandering van die rigting van rotasie.
- Spoedreduksie
- Oorgedraagde draaimoment gelykop tussen die twee agterste wiele te verdeel.

2.Beskryf die werking van die konvensionele ewenaar wanneer die trekker om 'n draai beweeg.

- Wanneer die trekker om 'n draai beweeg, beweeg al die wiele om 'n gemeenskaplike punt.
- Die buitenste wiele op die kurwe is gevolglik geneig om vinniger as die binneste wiel te draai.
- Dit beteken dat die halfasarm van die buitenste wiel vinniger draai as dié van die binneste wiel.

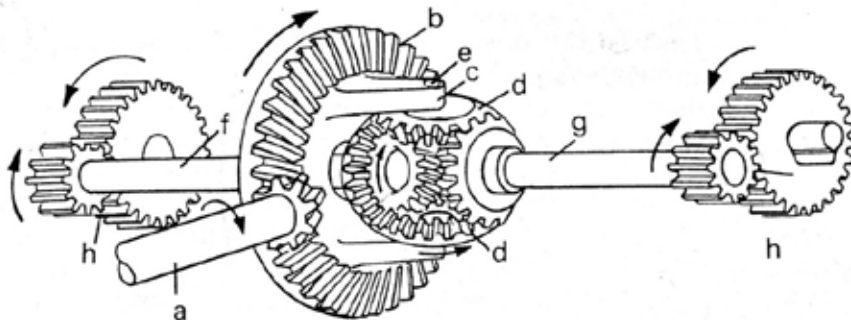


- d. Die verskil in spoed tussen hierdie twee asarms veroorsaak dat die ewenaar se kegelratjies om hul individuele assies draai.
- e. Aangesien hierdie klein assies aan die omhulsel en dus aan die grootrat verbind is draai hulle daarmee saam en dryf nog steeds die agterwiele aan, ten spyte van die feit dat hulle nie teen dieselfde snelheid roteer nie.

3. Wat is die funksie van die finale aandrywing?

- a. Verdere afname in spoed.
- b. Verhoogde wringkrag/trekkrag.

4. Skets van die ewenaar.



EWENAARSLOT

'n Sluitewenaar of ewenaarslot is 'n variasie op die standaard motorewenaar. 'n Sluitewenaar kan hoër vastrap voorsien in vergelyking met 'n standaard, of "oop" ewenaar deur die twee wiele op 'n as teen dieselfde rotasiespoed te beperk, sonder inagneming van die beskikbare vastrap of verskille in weerstand ondervind by elke wiel.

'n Sluitbare ewenaar is ontwerp om die beperking van 'n standaard oop ewenaar te oorkom deur in wese beide wiele op 'n as saam te "sluit" asof op 'n gemeenskaplike as.

Dit forseer beide wiele om in harmonie te draai, ongeag die vastrap (of die gebrek daaraan) beskikbaar aan die individuele wiele.

Wanneer die ewenaar ontsluit is (oop ewenaar), laat dit elke wiel teen verskillende snelhede draai (soos wanneer om 'n draai), en daardeur elimeneer dit bandskuring.

'n Oop (of ontsluite) ewenaar bied altyd dieselfde wringkrag (rotasie krag) aan elk van die twee wiele op die asse.

Dus, hoewel die wiele teen verskillende snelhede kan draai, pas hulle dieselfde rotasiekrag toe, selfs as die een heeltemal stilstaan, en die ander tol. (Gelyke wringkrag, ongelyke rotasiespoed).

In teenstelling hiermee, forseer 'n geslote ewenaar, beide linkerkantste en regterkantste wiele op dieselfde as, om teen dieselfde spoed te roteer onder bykans alle omstandighede, sonder inagneming van traksieverskille ondervind by beide wiele.

Daarom kan beide wiele soveel rotasiekrag toepas as wat die vastrap onder dit toelaat, en die wringkrag op elke sy-as sal ongelyk wees. (Ongelyke wringkrag, gelyke rotasiespoed).

'n Geslote ewenaar kan 'n beduidende voordeel verskaf bo 'n oop ewenaar, maar slegs wanneer die traksie onder elke wiel aansienlik verskil.





Aanwending

- **Wedrenmotors** gebruik dikwels sluitewenaars om traksie tydens 'n hoë spoed maneuever in stand te hou, of wanneer teen uiterste omstandighede versnel word. Daarbenewens is voertuigdinamika meer voorspelbaar wanneer daar 'n verlies van traksie is, omdat die bestuurder sal weet dat geen wiel skielik krag sal tap as dit 'n lae-wrywing oppervlak teëkom nie.
- Sommige nutsvoertuie soos **sleepvragmotors, vurkhysers, trekkers en swaar toerusting** gebruik sluitewenaars om traksie in stand te hou, veral wanneer op sagte, modderige, of ongelyke oppervlaktes gery word. Sluitewenaars is algemeen in die landboutoerusting en militêre vragmotors. Op sommige trekkers, is daar 'n trap wat die operateur se hak op kan trap om die ewenaar te sluit as dit nodig word.
- Vierwielaangedrewe voertuie wat vir veldry gebruik word gebruik dikwels 'n sluitbare ewenaar om te verhoed dat dit vassit wanneer dit op los, modderige, of klipperige terrein ry. Sluitbare ewenaars word as noodsaaklike toerusting beskou vir ernstige veldrytoestande. Baie sulke voertuie het 'n sluitbare ewenaar op die sentrale ewenaar (tussen die voorste en agterste asse), agterste en voorste ewenaar, of enige kombinasie van die drie.

Nadele

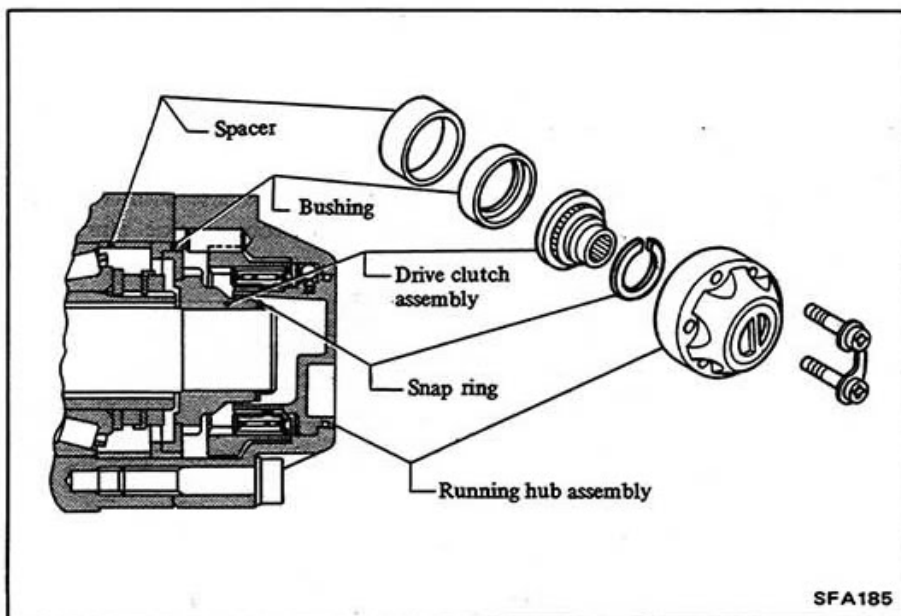
- Omdat hulle nie so goed werk as standaard ewenaars, is outomatiese sluitewenaars dikwels verantwoordelik vir verhoogde bandsluitasie.
- Sommige ouer outomatiese sluitewenaars is bekend vir die maak van 'n kliek of klappgeluid, met sluit en ontsluiting wanneer die voertuig om draaie beweeg. Dit is irriterend vir baie bestuurders.
- Ook sal outomatiese sluitewenaars die vermoë hê om 'n voertuig te stuur te beïnvloed, veral as die ewenaarsluitmeganisme in die vooras geleë is.
- Afgesien van bandskuring as jy hoë wrywing (lae glip) oppervlaktes navigeer, veroorsaak ewenaargrendels onderstuur, en as dit op die vooras gebruik word, sal verhoogde krag op die stuurwiel benodig word om die voertuig te draai.
- Verder kan outomatiese ewenaarsluitmeganismes beheerverlies op ys veroorsaak, waar 'n oop ewenaar sou toegelaat het dat een wiel draai en die ander een klou, as dit nie krag oordra nie.



15.4x4 Voorwiel naaf grendelmeganisme



Vryloop sluitnawe



Waar is die sluitnawe geleë?

- **Sluitnawe** is op die voorwiele van jou 4x4 voertuig geleë.
- Hulle lyk soos onskuldige klein skakelskyfies in die middel van jou voorwiele, maar daar is 'n bietjie meer aan.
- Die sluitnawe is, in wese, 'n as wat in die helfte verdeel is (links en regs).
- Hulle werk afsonderlik, tol vry van mekaar en laat toe dat die aandrywing van die agteras hulle stoot waar jy hulle stuur. Dit is in twee-wiel-aandryf mode, net soos in 'n agter-wiel-aangedrewe motor.
- Wanneer hulle ontsluit is, het jy nie die vermoë om jou voertuig in 4WD te sit nie.

Moderne voertuie het **outomatiese sluitnawe** wat min of geen operasie van die gebruiker vereis nie. Maar sommige van hierdie nuwer voertuie kan nog meganies beheer word in gevalle waar die outomatiese sluitnaaf onklaar raak.

Ouer 4WD voertuie het meganiese beheer gehad en is verwys na as “deelydse” 4x4 omdat die halfasse vrylik van mekaar beweeg soos in 'n 2WD motor. Op hierdie modelle moes jy jou voertuig verlaat, die skakelmeganisme op die middelpunt van elke voorwiel van vry “Free” na sluit “Lock” draai en dan terugklim, jou ratkas in die “neutrale” posisie plaas en dan die voertuig in 4x4 sit. Dit is nie ongewoon om die nawe in die winter gedurende sneeu of in modderige toestande, te sluit en so rond te ry totdat jy nodig het om die voertuig in die 4x4-modus te sit nie.

Sommige voertuig modelle is as “**voltydse**” 4x4 voertuie gemaak. Op hierdie modelle beweeg die vooras vryelik as 'n eenheid tot die 4x4 geaktiveer word, maar jy moet nog steeds jou voertuig on neutraal sit om 4x4 te aktiveer.

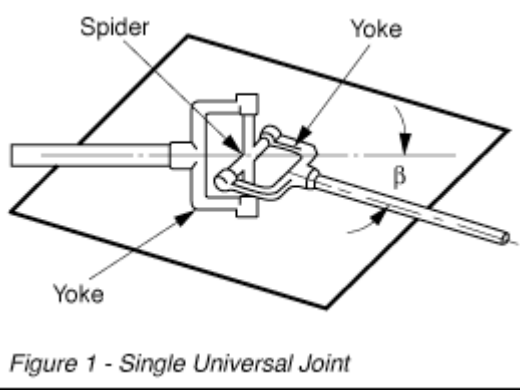
KRUISKOPPELINGS



'n **Kruiskoppeling**, U-koppeling is 'n koppeling of skakel in 'n soliede as wat dit moontlik maak om die as in enige rigting te 'buig', en word algemeen in aste wat rotasiebeweging oordra gebruik. Dit bestaan uit 'n paar skarniere wat naby aan mekaar teen 'n 90° georiënteerde hoek geleë is en aan mekaar verbind is deur 'n kruisas.

'n Konfigurasie wat bekend staan as 'n dubbele Cardan dryfaskoppeling oorwin gedeeltelik die probleem van rukkerige rotasie. Hierdie konfigurasie gebruik twee kruiskoppings wat verbind is deur 'n intermediêre as, met die tweede kruiskoppeling in fase met die eerste kruiskoppeling om veranderende hoeksnelheid te kanselleer. In hierdie konfigurasie, sal die hoeksnelheid van die gedrewe as ooreenstem met dié van die dryfas, op voorwaarde dat beide die dryfas en die gedrewe as op gelyke hoeke met betrekking tot die Intermediêre as (maar nie noodwendig op dieselfde vlak) is en dat die twee kruiskoppings 90 grade uit fase is. Hierdie konfigurasie word algemeen gebruik in agterwielaangedrewe voertuie, waar dit bekend staan as 'n aandryfas.





Algemeen

'n Kruiskoppeling is 'n positiewe, meganiese verbinding tussen roterende aste, wat gewoonlik nie parallel is nie, maar wat mekaar op dieselfde vlak sny. Hulle word gebruik om beweging, krag, of beide oor te dra.

Die eenvoudigste en mees algemene tipe staan bekend as die Cardan kruiskoppeling of Hooke kruiskoppeling. Dit word getoon in Figuur 1. Dit bestaan uit twee U-jukke, een aan elke as, verbind deur 'n kruisvormige intermediêre aste genoem die spinnekop. Die hoek tussen die twee aste is bekend as die werkhoeke of bedieningshoek.

Aanwendings

Tipiese toepassings van kruiskoppeling sluit in dryfaste, vliegtuie, toestelle, beheer meganismes, elektronika, instrumentasie, mediese en optiese toestelle, radio, naaimasjiene, tekstiel-masjinerie en gereedskap aandrywing.

Kruiskoppeling is beskikbaar in staal of termoplasties. Kruiskoppeling gemaak van staal het 'n maksimum ladingdravermoe vir 'n gegewe grootte. Kruiskoppeling met termoplastiese onderdele word in die lig industriële toepassings vir hul self-smeer, ligte gewig, geringe teenreaksie, weerstand teen korrosie en vermoë om 'n hoë-spoed te werk gebruik.

Kruiskoppeling van spesiale konstruksie, soos die bal-laer-kruiskoppeling is ook beskikbaar. Dit word gebruik vir 'n hoë-spoed werking en vir die dra van 'n groot las/wringkrag. Hulle is beskikbaar in beide miniatuur en standaard groottes.

Enkelkoppeling het die volgende voordele:

- Lae kant druk op die laers.
- Groot hoekverplasings is moontlik.
- Hoë wringstewigheid.
- Hoë wringkrag kapasiteit.

Hulle het die volgende nadele:

- Snelheid en versnellinfluktuasie verhoog met aanwendingshoek.
- Smering word benodig om slytasie te verminder.
- Aste moet op presies dieselfde vlak lê.
- Teenreaksie moeilik om te beheer.



17.GHRIESNIPPELS



Ghriesnippels is toebehere wat op meganiese sisteme pas om smeermiddels, gewoonlik smeerghries, onder matige tot hoë druk met behulp van 'n ghriesspuit, toe te dien.

Ghriesnippels word selde gevind op verbruikersgoedere, toerusting of motors omdat onderhoudvrye produkte die algemene publiek beter pas. Hulle word steeds algemeen gebruik op industriële, landbou-en mynbou-toerusting.

Sedert die 1920's, het die groeiende verspreiding van verseëlde laers in die produksie-industrie die gebruik van ghriestoebehere minder algemeen gemaak.

Verseëlde laers word by die fabriek gesmeer en verseël en is sodanig dat die smeermiddel nie verlore of vuil sal raak nie. Maar, ghriestoebehere is ver van uitgedien en nog baie nuwe masjinerie word met hulle gebou elke jaar (bv., trekkers, grassnyers, outomatiese swembadbedekking, industriële aanlegte, en nog 'n paar motor en vragmotor onderdele), want so lank as wat minimale onderhoud gedoen word (via Sosiale lube werk waar nuwe vet in die rigting gepomp word), sal hierdie tipe laer en ghriesopset koste-effektief, eenvoudig, en langdurig wees. Maar totale gebrek aan instandhouding verkort leeftyd.

Ghriesspuit vir die aanwending van ghries aan 'n ghriesnippel



LAERS



- 'n **Laer** is 'n masjienonderdeel wat relatiewe beweging tussen die bewegende dele beperk om slegs die gewenste beweging te hê.
- Die ontwerp van die laer kan byvoorbeeld voorsiening maak vir vrye lineêre beweging tussen die bewegende dele of vrye rotasie om 'n vaste as, of dit kan beweging voorkom deur die faktore van normale kragte wat inwerk op die bewegende dele, te beheer.
- Laers word oor die algemeen geklassifiseer volgens die tipe werking, die bewegings toegelaat, of aan die rigting van die laste (kragte) wat inwerk op die dele.
- Die term "laer" is afgelei van die werkwoord "om te dra"; 'n laer is 'n masjien onderdeel wat een onderdeel toelaat om 'n ander een te dra (dit wil sê, te ondersteun).
- Die eenvoudigste laers is laer oppervlaktes, gesny of gevorm in 'n onderdeel, met wisselende grade van beheer oor die vorm, grootte, grofheid en ligging van die oppervlak.
- Ander laers is in aparte toestelle geïnstalleer in 'n masjien of masjiendeel.
- Laers was gebruik vir die hou van wielle en asse

Doel van 'n laer

Die vermindering van wrywing in laers is dikwels belangrik vir doeltreffendheid, slytasie te verminder, gebruik teen 'n hoër spoed te fasiliteer en oorverhitting en voortydige onklaarraking van die laer te vermy.

Onderhoud en smeer

- Baie laers vereis periodiese onderhoud om voortydige onklaarraking te verhoed, hoewel sommige laers soos vloeistof of magnetiese laers min onderhoud verg.
- Die meeste laers in hoë siklus aanwendings moet gereeld gesmeer en skoongemaak word, en vereis gereelde verstelling om die gevolge van slytasie te verminder.
- Die werkslewe is dikwels baie beter as die laer skoon gehou en goed gesmeer word.

Gebruike vir laers

1. Hardeskywe
2. Rolskaatse
3. Vliegwiël energie stoorstelsels
4. Kitare
5. Die Kaapse Hattera Ligtoring
6. Aardbewingbestande geboue in San Francisco
7. Wiellaers
8. Enjins
9. Visvangkatrolle

EKONOMIE GEASSOSIEER MET LANDBOU-TEGNOLOGIE

1. Noem die DRIE tipes kapitaalkostes wat verband hou met trekker kosteberekening.

Vaste kapitaal

(Grond, geboue, verbeterings soos krale, boorgate, pompe)



Lopende kapitaal

(Implemente, toerusting en masjinerie)

Werk of vlottende kapitaal

(Onderdele, brandstof, lone, herstelwerk, kontrakwerk en vervoer)

2. Noem die twee tipes van trekkeruitgawes en gee voorbeelde van elk.

A. Vaste uitgawes.

- a. Waardevermindering.
- b. Rente op kapitaal belê.
- c. Toevallige uitgawes.
- d. Finansieringskoste.

B. Lopende uitgawes.

- a. Herstelwerk.
- b. Olie.
- c. Brandstof.
- d. Smeer.
- e. Arbeid.
- f. Toesig uitgawes.

KEUSE VAN TREKKER EN TREKKERUITGAWES

1. Noem die faktore wat in ag geneem moet word voordat 'n nuwe trekker gekoop word.

- Drywing of krag van trekker (Kw)
- Besikbaarheid van parte en dienste plaaslik
- Rigiedheid van konstruksie
- Eenvoudigeheid van kontrolemeganismes
- Bestuurdersgemak
- Meerdoelig/veelsydigheid
- Betroubaarheid en duursaamheid

1.1 Noem die faktore wat in ag geneem moet word in terme van aandrywing wanneer 'n trekker gekies moet word.

- Tipe gebruik
- Maksimum aandrywing
- Tekstuur van die grond
- Tipe trekker



4. Indien 'n trekker se prys redelik is, moet die volgende inligting van die verkoper gekry word:

- Die rede waarom die trekker verkoop word
- Die tipe werk waarvoor die trekker gebruik is
- Die jaarmodel
- Die werksure van die trekker
- Watter herstelwerk gedoen is
- Wie die drywer was

5. Punte om te oorweeg voor die aankoop van 'n gebruikte trekker

- Hoe gevestig en betroubaar is die agent
- Is parte maklik beskikbaar
- Is die trekker 'n goeie model in die area
- Watter waarborg of diensfasiliteite is beskikbaar by die agent
- Versamel inligting oor die trekker
- Kyk na die meganiese dele van die trekker
- Doen 'n toetsrit
- Hoeveel werksure is op die trekker en werk die odometer nog?
- Nadat ooreengekom is oor die prys, sal vasgestel word of dit meer ekonomies is om 'n nuwe trekker of tweedehandse trekker te koop.

6. Noem die onderdele wat spesiale aandag nodig het wanneer die trekker ondersoek word

- Engin
- Ratkas
- Finale aandrywing
- Verkoeler
- Brandstofstelsel
- Stuurmeganisme
- Instrumente
- Battery
- Landtoets die trekker

7. Wat is verkeerd indien die trekker die volgende simptome het?

- **Swart rook**
Dieselmengsel is te ryk
- **Wit rook**
Disfunksionele brandstofverspreidingsstelsel
Water lek in die verbrandingskamer



- Blou rook
- Engin gebruik olie
- Suierringe geslete
- Silinderwande geslete

1. Wat word bedoel met standaardisasie van plaas implemente?

Alle plaas implemente en trekker onderdele moet aan seker vereistes voldoen, sodat dit makliker vervangbaar en hanteerbaar is en sodat dit iir en weer gebruik kan word.

2. Noem die voordele van standaardisasie

- Enige implement kan by enige trekker gebruik word.
- Dieselfde masjien en onderdele kan op verskillende trekkers gebruik word.
- Onderdele kan by enige agent in plaas van slegs een gekoop word.
- Onderdele kan relatief goedkoop aan die boer voorsien word, as gevolg van massaproduksie.
- 'n Verminderde hoeveelheid onderdele kan in voorraad aangehou word vir instandhouding en diensdoeleindes.
- Indien 'n boer besluit om 'n nuwe trekker te koop, sal hy nie nodig hê om 'n spesiale kursus te neem om dit in stand te hou nie.

3. Meganisasie in landbou?

Dit voorsien tegnologie en vooruitgang aan landbou in plaas van die gebruik van toerusting wat deur diere getrek word, om produksie, kwaliteit en opbrengs te verbeter.

4. Wat is die doelwit van meganisasie?

Om die boer te help om beter, vinniger, goedkoper en meer koste-effektief te produseer.

5. Pneumatiese en hidroliese gereedskap: Identifikasie

- Kompressor



- Hidroliese pers



- Pneumatiese wringsleutel

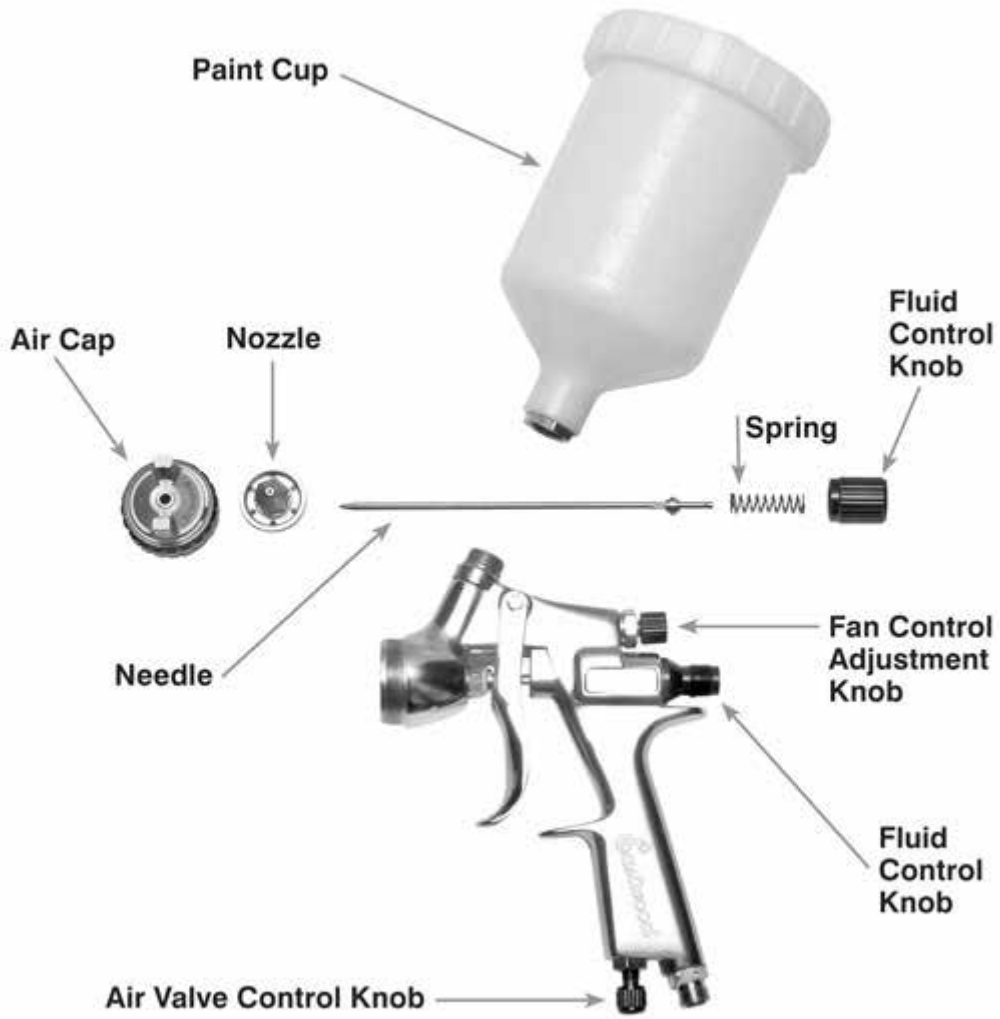


- Hidroliese domkrag



- Spuitverf geweer





HOOFSTUK 6

BESPROEIING EN WATERVOORSIENING

BESPROEIING

1. Probleme met besproeiing

- Kompetisie vir bogrondse waterregte
- Opgebruik van ondergronse waterbronne
- Grondinsinking
- Te min watervoorsiening of besproeiing wat net genoeg water aan die plant voorsien (bv. druplyn besproeiing) veroorsaak brakgrond wat lei tot die opbou van toksiese soute op die grondoppervlak in areas met 'n hoë verdamping. Dit noodsaak spoelling of dreinering om ontslae te raak van die soute. Wanneer dripperlyne gebruik word is spoelling die beste metode deur om dit gereeld te doen (met slegs 'n klein bietjie ekstra water) sodat die soute onder die plante se wortels gespoel kan word.
- Oorbefoeding as gevolg van swak verspreiding of bestuur kan water en chemikalieë vermors en veroorsaak waterbesoedeling.
- Diep dreinering (agv te veel besproeiing) kan veroorsaak dat die watertafel styg en in sommige gevalle lei tot verbrakking.
- Besproeiing met brakwater of water het 'n hoë soutinhoud kan die grondstrukture benadeel.

2. Vir 'n nuwe besproeiingstelsel

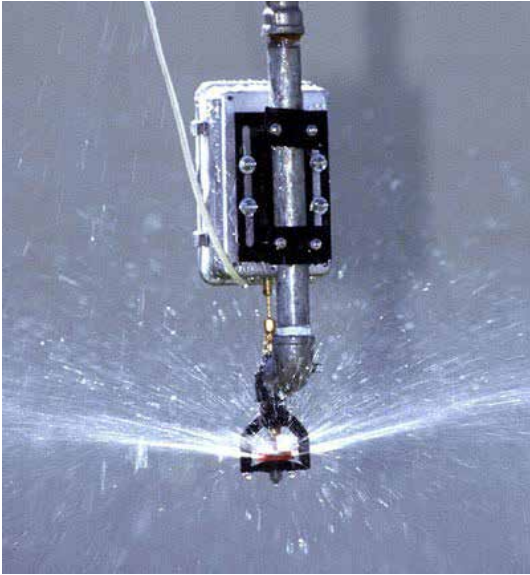
Hier is die basiese prosedure om te volg wanneer 'n pomp vir 'n nuwe besproeiingstelsel gekies moet word.

- Besluit op 'n tipe pomp wat die beste sal werk vir jou behoeftes. draaiskroefpomp, sentrifigale pomp, dompelpomp, turbinepomp, straalpomp, ens.
- Bepaal jou vloei (LPM) en drukbehoefte.
- Kyk na die beskikbare pompe se modelle en kies 'n voorlopige pomp wat in jou behoeftes sal voldoen.
- Ontwerp 'n voorlopige besproeiingsontwerp. Dit moet ontwerp word vir die vloei en druk wat die pomp moet lewer.
- Indien jy 'n voorlopige ontwerp het, sal dit makliker wees om 'n geskikte pomp te kies. Sal 'n ander pomp jou besproeiingskoste verlaag of beter pas by jou besproeiingsontwerp? Gaan terug na die pompkeuseproses en herevalueer dit. Maak jou finale keuse.
- Gaan weer terug na jou ontwerp. Kan dit dalk verander word om te voldoen aan jou finale keuse? Maak die nodige veranderinge.



3. Oorhoofse besproeiing

Water word onder **druk** gepomp en spreï af na die plant vanuit 'n plat sproeier.



Verstelbare besproeiing sprinklerkop

Hierdie kan gekoppel word aan 'n oorhoofse aluminium pypnetwork of kan eenvoudig aan die bokant gekoppel word.



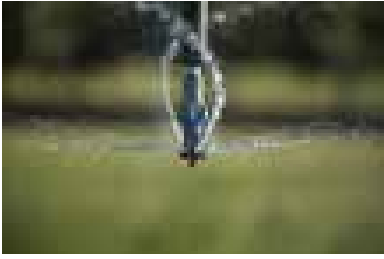
Spilpuntbesproeiingsstelsel wat 'n katoenland natmaak

- Aangesien dit moeilik is om water eweredig te verspei, is 'n duurder oorhoofse stelsel beter .
- Hierdie stelsel wat oor die lengte van die land beweeg, kan waterverspreiding makliker beheer. 'n Ander oorhoofse besproeiingsstelsel is die kanonbesproeiingsstelsel, wat soos sy naam aandui, water in die lug en oor die land skiet.
- 'n Groot water kanonsproeier kan 'n groot area of land dek sonder om beweeg te word.

Oorhoofse besproeiingsstelsels is nuttig wanneer groot areas natgemaak word. Sommige kan ontkoppel en na 'n ander land beweeg word sonder moeite.



4. Sirkelbesproeiing



Rotasie tipe spilpuntbesproeiingssproeier

- Spilpuntbesproeiing is 'n vorm van sprinkelbesproeiing wat bestaan uit pypsegmente (gewoonlik gegalvaniseerde staal of aluminium) wat gekoppel en gesteun word deur stutte, gemonteer op wieltorings met spreiers op die lengte.
- Hierdie sisteem beweeg in die rondte en kry water vanaf die besproeiingpunt in die middel.
- Hierdie sisteme word gebruik waar die terrein plat is.
- Nuwer besproeiingsstelsels het 'n pyp wat afhang soos gesien in die foto wat volg.



Spilpuntbesproeiing met valpype

Meeste van die spilpuntbesproeiingstelsels het spreiers wat oorhang van 'n u-vormige pyp wat 'n gansnek genoem word. Dit is gekoppel van die bokant van die pyp met spreikoppe 'n paar voet (maksimum) bo die plante. Dit beperk verdampingverlies.



Handlyne –draagbare sprinkelbesproeiing



5. Sprinkel besproeiing



Sprinkel besproeiing

- By sprinkel en oorhoofse besproeiing, word water in pype van een of meer sentrale plek in die land na oorhoofse hoëdruk spreiers of kanonne versprei.
- 'n Sisteem wat oorhoofse sprinkels, spreiers of kanonkoppe het, word vaste stelbesproeiing genoem.



6. Kruipbesproeiing

- Spreiers kan ook gekoppel word aan bewegende platvorms wat gekoppel is aan 'n waterbron met 'n pyp.
- Outomatiese wielsisteme bekend as kruipspuite kan gebruik word op klein plasies, sportvelde, parke, en begraafplase sonder toesig.
- Meeste gebruik 'n lengte pvc pyp op 'n staal drom.
- Soos wat die pyp om die drom opdraai deur die druk van die water of 'n klein enjin, beweeg die besproeiingstelsel oor die land.
- Sodra die besproeiingstelsel terug is by die beginpunt skakel dit af. Dit is bekend as 'n kruipspuit..



Kantrol besproeiingstelsel



7. Laterale beweging (kantrol, wiellyn) besproeiing

- Pype, elk met 'n wiel van ongeveer 1.5 m in deursnee, permanent gekoppel aan die middelpunt met spreiers oor die lengte, word aan mekaar gekoppel aan die kant van die land.
- Water word gekoppel aan die een kant deur middel van 'n groot pyp.
- Nadat genoeg water toegedien is, word die pyp verwyder en die stelsel per hand of met 'n ingeboude meganisme 10 m verder beweeg. Die pyp word weer gekoppel.
- Die proses word herhaal totdat die ander kant van die land bereik is.
- Die sisteem is goedkoper om te installeer as 'n spilpunt, maar is arbeidsintensief en die hoeveelheid water word beperk tot wat die stelsel kan dra.
- Die meeste stelsels gebruik 4 of 5 duim (130 mm) deursnee aluminiumpype.
- Een kenmerk van 'n kantrol stel is dat dit uit maklik ontkoppelde seksies bestaan. Dit word gebruik vir klein lande of lande met 'n ongewone vorm, soos gevind word in heuwelagtige of bergagtige dele, of dele waar arbeid goedkoop is.

8. Kontroles,sones en kleppe

Die meeste besproeiingsisteme word verdeel in sones. 'n Sone is 'n enkele besproeiingsklep en een of meer spreiers wat gekoppel is deur pype. Besproeiingsisteme word verdeel in sones omdat daar gewoonlik nie genoeg druk en beskikbare vloei is om die spreiers vir 'n hele werf of sportveld te gebruik nie. Elke sone het 'n selonoiedklep wat beheer word deur die besproeiingsbeheermeganisme. Die besproeiingsreguleerder is of 'n meganiese of 'n elektriese apparaat wat 'n sein na 'n sone stuur om op 'n sekere tydstip aan te skakel, en vir 'n sekere tyd aangeskakel te bly. 'n Slim beheerstelsel is 'n stelsel wat self waterverstellings kan maak soos wat kondisies verander. Dit gebruik data van vorige weersomstandighede in die plaaslike area, grondmonstersensors (waterpotensiaal en waterinhoud), reënsensor, of in meer gesofistikeerde sisteme satelliete wat inligting na weerstasies stuur, of 'n kombinasie hiervan.

9. Wat is 'n besproeiingsklep?

'n Besproeiingsklep reguleer die rigting wat water vloei in 'n besproeiingsstelsel. Hierdie kleppe word gevind in die besproeiingsstelsels van gewasproduksie, parke, golfbane, en grasperke. Hulle help met die beheer van water in bogrondse sowel as ondergrondse sisteme.

10. Wat is 'n besproeiingssprinkelaar?

'n Spreier dien water op 'n land toe met die effek van reën. Die meeste sprinkelbesproeiingsstelsels gebruik pype met water onder druk, wat dan ontsnap deur die spreierkoppe en op die grond laat val word.

Die basiese doelwit is om water deur te laat, maar die soorte kan verskil.

Mense wat 'n spreier oorweeg moet in ag neem hoe groot die area is wat besproei moet word, asook wat die vorm van die land is.

Obstruksies soos bome en rotse, sal ekstra werk vereis om daarom te benat.

Hoe diep die grond benat moet word, asook die tyd en arbeid benodig vir die stelsel moet in ag geneem word.

'n Spreier is 'n verspreidingsapparaat wat gekoppel word aan die punt van 'n waterpyp.

Die kop is die apparaat waardeur die water gesprei word.

Daar is verskillende soorte spreierkoppe beskikbaar. Dit hang af waar die spreier gebruik gaan word, met 'n spesiale ontwerp vir oorhoofse spreierkoppe.

Die spreierkop is redelik klein en is gekoppel aan 'n spreierkoppelstuk met 'n sentrale ring vir die vloei van die water.

Die bopunt van die spreier is rond met vinne of dun lemme in die rondte gerangskik.

Wanneer die spreier geaktiveer word, vloei die water deur die spreierkop waar dit verander van 'n stroom na 'n



sirkelvormige patroon.

Die watertoediening is ontwerp om die besproeiingsarea maksimaal te vergroot.

Daar is twee algemene soorte spreierkoppe: grasperk en vuurbestrydingssisteme.

In beide gevalle is die vereistes dieselfde: die water moet verspei word sonder enige menslike hulp.

Deur goeie beplanning en ontwerp, is die moontlik om die totale area nat te maak.

Grasperkspreierkoppe kan in die grond versink word en weer laat opskiet deur die druk van die water wanneer die sisteem geaktiveer word, en kan ook reggemaak word bokant die grond. In 'n grasperkspreierstelsel, is daar twee tipes koppe: Sprei en roteerkoppe.

'n Spreikop is ontwerp om 'n groot hoeveelheid water in 'n kort tydperk te lewer.

'n Sprinkel kop is ontwerp met 'n bewegende arm wat die water forseer om 'n sirkelbeweging te volg..

Die tipe word gewoonlik gebruik in 'n plat area.

'n **Roterende sprinkelkop** spuit water met 'n stadiger spoed en dek 'n groter area oor 'n langer tydperk. Die tipe sisteem word gebruik op groot areas wat gereeld water nodig het as gevolg van grond en klimaatstoestand. Die keuse van die tipe sprinkelkop vereis beplanning vir die gebruik daarvan oor 'n lang tydperk en die instandhouding daarvan.

Die vuurdempingsspreier, is die spreierkop wat aan die plafon, met die bopunt van die kop wat afwys gekoppel. In die spreier is 'n hitte-sensitiewe meganisme of 'n tweedelige metaalkoppelstuk wat aanmekaar gehou word met 'n allooi. Die hitesensitiewe meganisme of metaal lê dwars op die bopunt van die kop en funksioneer as 'n prop om die opening toe te hou.

Die instandhouding van spreiers is 'n relatief eenvoudige proses wat vervang en herstel insluit. Enige eienaar van 'n spreiersisteem wat onkundig is met die herstel, kan 'n professionele persoon vra om te help. Baie besproeiingsondernemings bied 'n gratis jaarlikste instandhoudingsprogram aan wat lentetye maklik maak vir eienaars.

11. Algemene vrae

1. Wanneer sal sprinkelbesproeiing bo vloedbesproeiing verkies word?

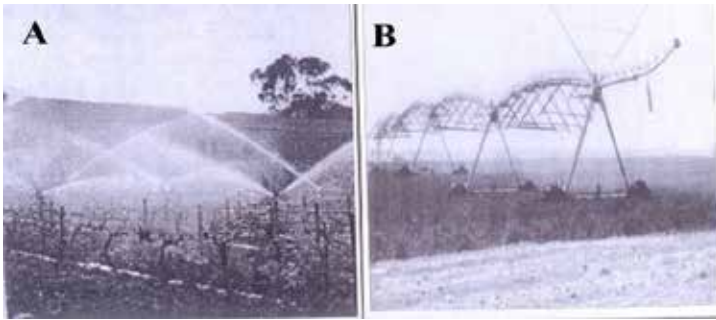
- Wanneer watervoorsiening swak is
- Wanneer die oppervlakgradient tot erosie kan lei
- Infiltrasietempo nie konstant nie
- Dreineringsprobleme
- Nie hoë koste van gelykmaak van grond

2. Sprinkelbesproeiing bestaan uit vier primêre dele. Lys hierdie primêre dele.

- Enjin/elektriese motor
- Pomp
- Pype
- Spreiers



3. Twee tipes sprinkelbesproeiingstelsels word hieronder getoon:



3.1 Skryf die naam van die besproeiingsmetode in B

Spilpunt

3.2 Onder watter omstandighede sal die sisteem, genommer B, 'n beter opsie wees as A?

- Spaar tyd
- Groter areas
- Nie genoeg arbeid

3.3 Indien makrobesproeiingssysteme nie effektief beheer word nie sal dit 'n negatiewe invloed op die omgewing hê. Noem DRIE van hierdie negatiewe effekte.

- Water word gemors
- Gronderosie
- Verbraking/soute verhoog

3.4 Noem VYF voordele van besproeiingssysteme soos hierbo

- Minimum arbeidskoste
- Lae pompkoste
- Lae instandhoudingskoste
- Lang lewensduur
- Hoë tweedehandse waarde

3.5 Noem 'n manier om metaaldele van besproeiingstelsels teen roes te beskerm.

Galvanisering

3.6 Hoe kan diefstal van elektriese kables verhoed word?

Deur die kabel binne-in die waterpyp te installeer.

3.7 Identifiseer die apparaat by 'n pompstasie wat die blokkasie van spreiers voorkom.

Sandfilter



4. Die gebruik van self-aangedrewe stelsels vereenvoudig die arbeidsintensiewe taak om lande te voorsien van water.

Bestudeer die foto onder van een van die besproeiingstelsels en antwoord die vrae wat daarop volg:



4.1 Verduidelik waarom die besproeiingstelsel arbeidsbesparend genoem word?

- Geen arbeiders nodig om te skuif
- Een man kan dit behartig
- Outomatiese waterskedulering
- Plaagdoders en kunsmis kan deur die sisteem toegedien word.

4.2 Gee 'n rede waarom waterdruk konstant gehou moet word van die middel tot op die punt van die besproeiingstelsel?

Sodat die hoeveelheid water wat toegedien word ewe veel is vanaf die middel tot aan die kant van die land.

4.3 Die spilpunt werk op die basis dat die besproeiinglyn rondom 'n middelpunt loop op wiele. Die buitenste wiele moet vinniger loop as die binneste wiele. Hoe word die hoeveelheid water vanaf die middel na die kant van die land beheer?

Binneste sproeieropeninge is kleiner en verder van mekaar as die buitenstes.

4.4 Noem TWEE middels wat nooit deur 'n spilpunt toegedien moet word nie. Gee rede vir elk.

- Insekdoders of kunsmis met 'n hoë suur inhoud

Suur sal die pype laat roes

- Kunsmis met groot deeltjies

Dit sal die openinge verstop

4.5 Noem 'n maklike manier vir die boer om met die spilpunt te kommunikeer, sodat dit oor lang afstande geaktiveer of gestop kan word.

Selfoon

4.6 Beskryf kortliks die voorkomingsmaatreëls wat in plek moet wees om te voorkom dat die spilpunt val wanneer een van die wiele vassit of die elektriese motor wat die wiel beheer, breek.

Wanneer die stelsel uit lyn gaan, moet 'n veiligheidsskakelaar die elektriesiteit na die wiele afsny om die voorkom dat dit vorentoe loop.

4.7 Die spreiers in die sisteem kan maklik geblokkeer word met afvalstukkies of roes in die pype. Hoe kan hierdie afvalmateriaal in die pype verwyder word sonder om die hele sisteem te ontkoppel?

Die kraan op die punt van die sisteem moet oopgemaak word, sodat alle stukkies onsuiverhede daaruit kan spoel.

Die kraan moet weer toegemaak word, sodat die sisteem weer kan funksioneer.



5. Spreiers vorm deel van die besproeiingsstelsel



5.1 Wat is die funksie van die spreierkop in die foto?

Versprei water eweredig in hierdie geval oor groot areas

5.2 Noem twee effektiewe materiale wat gebruik word om die spreierkoppe soos in die prent te vervaardig.

- Metaal: Koper, gegalvaniseerde yster
- Plastiek

5.3 Noem een voordeel van elke materiaal wat gebruik word in die vorige vraag. Maak dit van toepassing op die spreierkop.

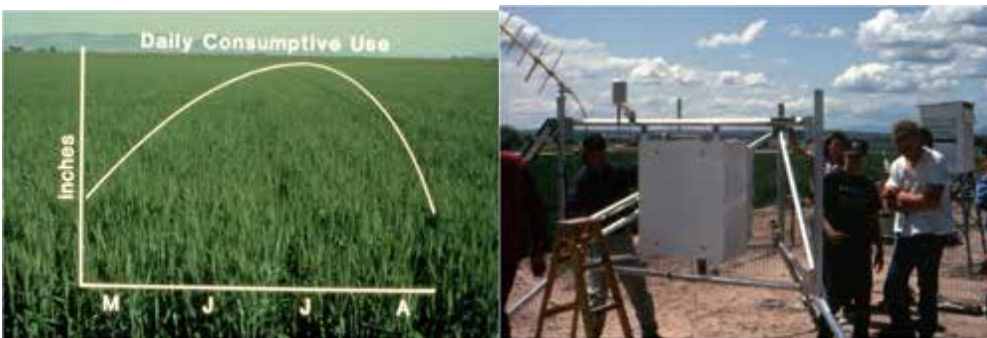
- Gegalvaniseerde metaal verweer nie so maklike nie
- Plastiek/koper kan nie roes nie

12. BESPROEIINGSKEDULERING

Besproeiingskedulering is die proses wat gebruik word deur besproeiing bestuurders om die toediening van water korrek te beheer.

Die doel van besproeiingskedulering is om genoeg water toe te dien totdat die plant se wortels behoorlik nat is, maar terselfdertyd nie water te mors nie en dan die grond toe te laat om droog te word tussen toedienings, sodat lug in die grond kan ingaan, maar nie so baie dat die plant stres nie.

Effektiewe Besproeiingskedulering



1. Inleiding

Besproeiingskedulering bestaan uit die toedien van die regte hoeveelheid water op die regte tyd. Met aartappels, het boere nadele wat die volgende insluit:

- Te min water lei tot 'n verlies aan graad, kwaliteit en kontrakprys.
- Te veel water lei tot 'n verlies aan water, elektrisiteit vir pomp, wegloging van stikstof en mors van tyd.
- Dit verhoog ook stikstofbehoefte by die gewasse, kunsmiskoste en stikstofverlies aan grondwater. Grondverliese kan aangehelp word.
- Te min of te veel water kan in dieselfde seisoen op 'n spesifieke land voorkom.



2. Skedulering metodes

Boere besproei deur een van die volgende kriteria te gebruik:

- Intuisie
- Kalenderdae vanaf die laaste reënval of besproeiing
- Verdampingstranspirasie by gewasse
- Grondwater

Meting van grondwater of verdampingstranspirasie voorsien kriteria vir besproeiingbestuur.

3. Verdampingstranspirasie is 'n spogerige woord wat gebruik word vir die verkwistende gebruik van water.

4. Grondwater metingstegnieke

Grondwater kan gemeet word deur metodes wat die grondwaterinhoud en grondwater- potensiaal kan bepaal. Grondwaterinhoud is die hoeveelheid water per grondvolume of die gewig van droë grond. Grondwaterpotensiaal is die krag wat nodig is om die volgende watertoediening van die grond te verwyder.

Verskillende metingstegnieke het verskeie sterk en swakpunte. Byvoorbeeld die gravimetriese metode is baie akkuraat, maar is stadig en baie proewe is nodig vir een land en spesifieke plekgebonde interpretasies is nodig. Sterk en swakpunte van verskillende metodes sal bespreek word.

5. Waterinhoud

- Voel metode
- Gravimetriese
- Neutron boorstaaf

6. Meet van grondwaterspanning

Spanningmeters

Die meting van grondwaterspanning met spanningsmeters of korrelmatriks sensors voorsien 'n metingsanaloog vir die krag benodig om water van die grond te onttrek. Die krag word van die atmosfeer deur die plant na die wortels oorgeplaas.

7. ALGEMENE VRAE

1. Beskryf waterskedulering kortliks en gee redes vir die gebruik daarvan.

Dis die proses wat gebruik word deur besproeiingsbestuurders om te bepaal of die regte hoeveelheid water vir die regte tyd toegedien word.

- Spaar water
- Nie te min water
- Nie te veel water

2. Noem enige TWEE tipes toerusting wat gebruik kan word om verdamping in 'n land te bepaal of te meet.

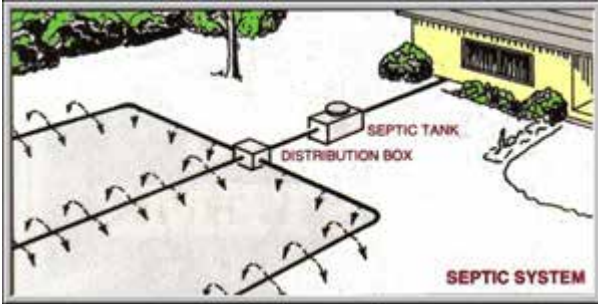
- Tensio meter
- Verdampingspan



VERSTAAN SEPTIESE DREINE

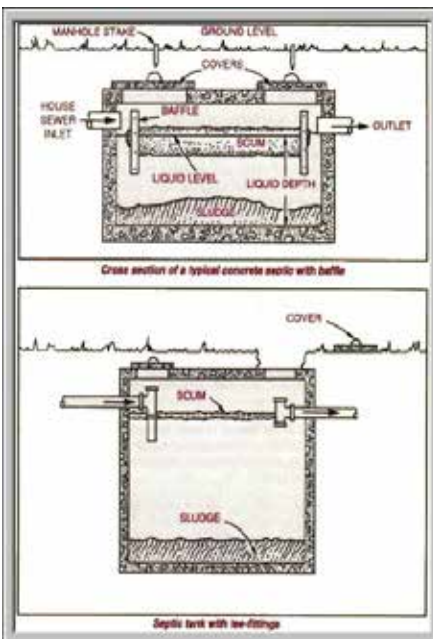
1. Wat is 'n septiese tenk?

- Die septiese tenk dien as 'n afsakkingsbak waar vastestowwe versamel en geleidelik afgebreek word deur mikrobiese werking.
- Sekere van die vastestowwe word omgeskakel na vloeistowwe deur die “natuurlike bakteriese ontbinding” alhoewel die oorblywende afval aan die onderkant versamel as 'n laag slik.
- Aanvullend sal 'n klein persentasie van die afval (meestal vette en olies) aan die bokant van die bak (tenk) dryf en 'n semi-soliede skuim vorm.



Hoe werk 'n septiese tenk?

- Die bevolking in metropoolgebiede (wat nog nooit die ervaring gehad het om 'n septiese tenk te onderhou nie of om die sisteem weer leeg te pomp nie) sal net hulle toilette trek.
- Die van ons wat in meer landelike gebiede bly is geforseer om meer te leer van die onderhoud en werking van die rioolverwerkingseenheid wat gekoppel is aan ons huise naamlik die “septiese sisteem”.
- Gewoonlik is 'n septiese tenk gekoppel aan 'n dreineringsseenheid of logingsput van een of ander aard. As dit behoorlik onderhou word sal 'n goed ontwerpte sisteem omtrent vir ewig hou.
- Indien dit egter nie die nodige aandag kry nie kan dit die dreineringsseenheid verstop.
- Hierdie nalatigheid kan lei tot duur instandhouding en herstel wat selfs kan beteken dat dreineringspype vervang moet word en baie duur kan kos.



2. Ontwerp van die septiese tenk

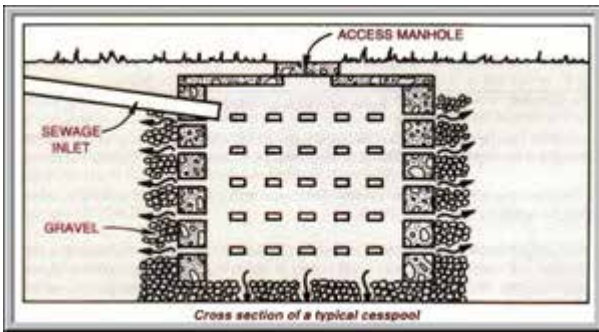
- Alhoewel die ontwerp van septiese tenks verskil bestaan almal basies uit 'n waterdigte ondergrondse tenk met een of twee mangate of inspeksiegate, ('n paar sentimeter onder die grond begrawe) om toegang te bied vir skoonmaak en inspeksies.
- Afvalwater vanaf die huis vloei in die tenk deur die inlaatpyp naby die bokant. Dit vloei deur 'n opening na 'n uitvloeipyp aan die ander kant.
- Die pyp mag eindig in 'n groot T-aansluiting of 'n tipe muur wat keer dat die afvloeiwat direk van die een pyp na die ander deurvloei.
- Die inkomende afvalwater sal afwaarts geforseer word met min water wat spat en die vastestowwe sal toegelaat word om na benede te sak.
- Uitgaande afvloeiwat word van etlike sentimeter onder die bolaag van drywende afval (gries, olie, skuim) getrek, sodat slegs vloeibare afval wat vloeibaar gemaak is deur bakteriese werking, wat plaasvind aan die onderkant van die septiese tenk, (wat op 'n later stadium sal terugkom) vrygestel word in die dreineringsseenheid.

3. Komponente van rioolverwerkingseenhede

'n Tipiese huishoudelike rioolverwerkingseenheid bestaan uit 'n huishoudelike rioolstelsel, septiese tenk, verspreidingsboks en logingsseenheid of rioleringsput.

- **Huishoudelike rioolstelsel** – Die pyplyn wat die huis en die drein en septiese stelsel verbind.
- **Septiese tenk** – Onbehandelde vloeibare huishoudelike afvalstowwe (riool) sal vinnig jou absorberingsseenheid verstop as dit nie behoorlik behandel word nie. Die septiese tenk voorsien hierdie nodige behandeling. Wanneer riool die septiese tenk binnekom sal die swaarder soliede deeltjies afsak na die onderkant van die tenk; die ligter soliede deeltjies, vette en griesagtige deeltjies sal gedeeltelik ontbind en na die oppervlakte opstyg en 'n laag skuim vorm. Die soliede deeltjies wat tot op die bodem neergedaal het word afgebreek en vorm slyk. Septiese tenks verwyder nie die bakterieë nie en hierdie vrystellings kan nie as veilig beskou word nie.
- **Verspreidingsboks** – Dien om die vloei van die septiese tenk eweredig te versprei oor die dreineringsseenheid of logingsput. Dit is belangrik dat elke sloot of put gelyke hoeveelhede van die vloei ontvang. Dit voorkom dat een deel van die sisteem oorlaai word.
- **Absorberingsseenheid** – 'n Sisteem van smal slote wat gedeeltelik gevul is met 'n bedding van gewaste gruis of gebreekte klip waarin 'n geperforeerde pyp of los oop pype geplaas is. Die vrystellings van die septiese tenks word versprei deur hierdie pype in die slootjies en die omliggende grond. Die ondergrondse absorpsie-eenheid moet die regte grootte wees en reg gebou wees. Terwyl logingsputte minder grond benodig vir installering moet hulle slegs gebruik word waar absorberingsseenhede nie geskik is nie en besmetting van boorgatwaterbronne nie 'n gevaar is nie.
- **Afdoeningsbad** – Werk op 'n soortgelyke wyse as die septiese sisteme. Rioolwater loog deur 'n oop bodem en patryspoortgate aan die kante. Hierdie gate kan ook verstop raak met oormatige gebruik en die inbring van ontsmettingsmiddels en ander materiaal wat die bakteriese werking kan laat afneem.
- Wanneer die rioolwerking agter raak, laat huseienaars net die sisteem leegpomp. Die uitpomp van die sisteem sal slegs tydelike verligting verseker. Die verstopte porië in die grond sal bly voortbestaan en die sisteem sal weer en weer uitgepomp moet word.





4. Onderhoud van septiese tenks

- Aangesien vastestowwe aanhoudend sal versamel op die onderkant van die tenk is dit nodig om die tenk van tyd tot tyd uit te pomp. Onthou dat slyk nie bioafbreekbaar is nie en sal aanhou versamel totdat dit oorloop.
- Die frekwensie waarmee dit uitpomp word sal afhang van die hoeveelheid afvalwater wat op 'n daaglikse basis deur die sisteem beweeg.
- Die effektiwiteit sal ook afhang van hoe dikwels oortollige vette, skille en ander soortgelyke afval by die drein afgegooi word.
- Hoe meer soliede afval in die sisteem gegooi word hoe vinniger sal die tenk opvul.
- Swaar invloei van water sal ook geneig wees om die tenk vinniger op te vul.
- Dit is daarom beter om nie rommel tot die sisteem toe te voeg as daar met 'n septiese tenk gewerk word nie en water nie aanhoudend in wasbakke en toilette moet loop nie.

5. Behandeling van septiese tenks

- Dit is belangrik om die septiese tenk gereeld skoon te maak om te verhoed dat die slykvlakke te hoog word en om te verseker dat die soliede materiaal aan die onderkant en die semi-soliede skuim aan die bokant nog kan deurvloei na die dreineringsstelsel. 'n Situatie kan maklik ontstaan waar die dreineringspyp en ook die grond waarin dit dreineer verstop sal raak.
- Maak seker daar is ten alle tye lewendige bakterië in jou sisteem .
- Die funksie van die bakterië is om die organiese afval in die sisteem te ontbind.
- As daar geen bakterië in jou sisteem is nie sal die tenk slegs dien as 'n 'opgaartenk vir jou afval. Dit raak gevul en natuurlike ontbinding sal nie kan plaasvind nie. Dit is wanneer die sisteem ingee.

6. Bakterië word vernietig deur 'n oorstroming weens:

- oormatige hoeveelhede suiweringsmiddels, wasgoedafval, blykmiddels, huishoudelike chemikalië en alkaliese dreinoopmaakmiddels.
- vullisafvalmengsels wat die hoeveelheid versamelde soliede deeltjies aansienlik vermeerder.
- wegspoel van items wat nie bioafbreekbaar is nie (plastiek ens.).
- wegspoel van oormatige hoeveelhede ghries en vette wat wel bioafbreekbaar is maar 'n spesifieke bakterië benodig om dit af te breek.
- wegspoel van sigaretstompies, sanitêre doekies wat ook bioafbreekbaar is maar nie noodwendig ontbindbaar is nie.
- te veel mense wat 'n kleiner/onvoldoende of stukkende sisteem gebruik.

As jy geen bakterië in jou sisteem het nie en jy voeg ensieme by sal dit eenvoudig nie help nie en die sisteem sal steeds nie werk nie. Ensieme is slegs 'n kataliseerder vir bakterië. As daar geen bakterië in jou sisteem is nie waarom dan ensieme gebruik?



- Van tyd tot tyd sal jy 'n 100% natuurlike en lewendige bakterie in jou sisteem moet byvoeg.
- Moenie enige bakterie tot jou sisteem toegog nie maar raadpleeg 'n professionele septiesesisteem deskundige. Daar kan moontlik fakultatiewe bakterie toegevoeg word wat beteken die bakterie kan met of sonder suurstof oorleef.
- Maak seker dat jy verstaan dat bakteriese werking veral aan die onderkant van die septiese tenk plaasvind.
- 'n Fakultatiewe bakterie sal nie bruikbaar wees in situasies waar daar lug en nie lug (anearobiese toestande) teenwoordig is nie. Die onderkant van die septiese tenk het nie enige vry suurstof nie en sal daarom veral anearobiese bakterie benodig.

“PRO-PUMP” vloeibare lewendige bakterie bestaan uit kulture met “fakultatiewe” en “anaerobiese” bakterie. Hierdie bakterie is dus vervaardig as sogenaamde vriendelike bakterie.

Die kommersiële sterkte van fakultatiewe bakterie is:

- a) nie-skadelik, nie-vretend, nie-siekteveroorsoekend.
- b) 100% natuurlik, dit is nie 'n GMO of 'n mutasie nie.
- c) effektief in aerobiese en anearobiese toestande.
- d) effektief met of sonder lig.
- e) effektief in omgewings met hoë of lae suurheid en lae of hoë alkaliniteit.
- f) 'n raklewe van 3-5 jare.
- g) kan gestoor word onder alle klimaatstoestande. As dit gevries word behou dit sy lewenskragtigheid nadat dit ontdooi is.

NEEM ASB KENNIS. Jou septiese sisteem hou nie enige potensiële gesondheidsgevaar vir jou of jou familie in nie. Ongelukke weens skadelike gasse het wel al plaasgevind.

Alle onderhoud aan jou septiese sisteem moet met jou septiese deskundige bespreek word, en alle ander septiese noodsaaklikhede moet met so 'n deskundige se raad gedoen word voordat jy self op eie aandrang iets daaraan doen.

7. Wat is die verskillende soorte dreine?

- **Huishoudelike dreinerings** is stelsels wat water weg van die huis af dreineer. Die mees algemene huishoudelike dreineringsstelsels is Franse dreine, kanaaldreine, geutdreinerings, hellingdreinerings, en dreineringslote. Ongeag van hoe die water daar gekom het, is al die dreineringsstelsels bedoel om water weg te lei, sodat water nie in die huis lek nie, staande water peste lok nie, en of erosie aan die fondasie veroorsaak nie.
- **Franse dreinerings** is basies 'n sloot gegrawe om die gebou se omtrek wat die water weg van die struktuur laat vloei. Baie Franse dreine bevat ook geperforeerde pype wat onder die gruis of klipies begrawe is. Water dreineer deur die oppervlakgruis en sypel in die pyp se gate in waar dit wegvloei na 'n area wat ekstra water kan akkommodeer.
- **Kanaaldreinerings** is 'n lang, smal sloot wat gebruik word om groot hoeveelhede water vinnig weg te laat vloei. Ook genoem 'n slootdrein, kanaaldreine is tipies van beton. Bykomend tot die dreinerings van water, kan kanaaldreine ook gebruik word om nutslyne en kables te hou. Hoewel dit nie dikwels in landelike gebiede gebruik word nie, kan kanaaldreine in groter stedelike gebiede, waar huise relatief naby aan mekaar gebou is, gesien word.
- **Geutdreinerings** is 'n tradisionele huis dreineringsstelsel en werk deur die vars water van 'n huis se fondament weg te lei. As deel van 'n geutstelsel, is afvoerpype aan die onderkant van die geute, gekantel teen 'n hoek sodat die water wegvloei, geïnstalleer. Afvoerpype word gewoonlik van sinkbedekte plaat, aluminium of vinyl gemaak en is ook beskikbaar in meer buigsame stukke wat water 'n paar meter weg kan lei.



- **Hellingdreinerling.** Hierdie tipe dreinerling werk met swaartekrag. As jou huis op 'n berg of net selfs 'n effense helling is, kan die water weg van die huis gelei word met die beginsel van 'n negatiewe helling. Hierdie tipe stelsel behels 'n buigbare PVC of plastiek pyp gelê in 'n tunnel. Die tunnel is gegrawe vanuit die huis se fondament tot by 'n meer geskikte plek soos 'n blombedding of dreineringsloot waar die water weer gebruik kan word
- **Dreineringsloot** is 'n tipe huisdreinerling wat beteken dat oortollige water uit grasperke en erwe gedreineer word. Die sloot word langs die straat gegrawe en water loop van die grasperk in die sloot in, waarna dit dan na die afvalwaterstelsel vloei. Dit verhoed dat staande water of erosie 'n huis se landskap ruineer.

8. ALGEMENE VRAE

1. Gebruik die volgende data en bereken die watervloei in a pyp sisteem. (Wys alle berekeninge)

- Die watertenk bevat 5000 liter
- Dit neem 5 minute om die tenk vol te maak

Vloei = $\frac{\text{Inhoud}}{\text{Tyd}}$

Tyd

= $\frac{5000}{5}$

5

= 1000 l / minuut

2. Gee redes waarom dit soms vir die boer nodig is om die vloei tempo van 'n pyp te bereken.

- Vir die korrekte kalibrering van spreiers
- Vir effektiewe besproeiing skedulering
- Om nie 'n waterbron oor te benut nie

3. Verduidelik kortliks hoe 'n septiese tenk werk

- Riool word afgebreek deur anaërobiese bakterieë in die eerste tenk.
- Baie min soliede afval bly oor in die tweede tenk.
- Slegs vloeistof bly oor en dreineer weg deur die pype na die klipsloot.

4. Noem die belangrike punte wat toiletgebruikers van 'n septiese tenk moet onthou sodat dit behoorlik kan funksioneer.

- Gebruik slegs toilet papier
- Geen plastiek
- Geen sigaretstompies
- Geen ontsmettingsmiddels
- Geen bleikmiddels of olie

5. Waar moet mense nie 'n septiese tenk bou nie?

- Moenie naby boorgate bou nie
- Bou 'n ent weg van die huis
- Nie naby verkeer
- Nie naby mense wat eet, was of werk nie



KOMMUNIKASIEMIDDELS

GPS

7. Wat is 'n GPS?

- GPS staan vir Globale Posisionering Stelsel.
- Dit verwys na 'n sisteem van satelliete en ontvangers wat mense en apparatuur in staat stel om hul presiese posisie op aarde te bereken.
- Die hart van die sisteem is gegrond op 24 satelliete wat om die aarde, twee keer per dag, wentel.
- Apparatuur met GPS toerusting ontvang seine van 'n paar satelliete en is dan in staat om presiese posisie weer te gee.
- Die eerste GPS satelliet is in 1974 bekend gestel en die 24ste een in 1994.
- Die sisteem word beheer deur die Amerikaanse Departement van Verdediging en is gratis vir gebruik deur enige persoon.
- Nuwe satelliete word van tyd tot tyd gelanseer om oues te vervang.
- Soos wat tegnologie verbeter het, het die koste van GPS apparatuur verlaag en die akkuraatheid verbeter.
- Klein draagbare GPS ontvangers het bekostigbaar geword en die akkuraatheid is verbasend.
- Akkuraatheid wissel as gevolg van sekere faktore, maar dit kan slegs 'n paar meter verskil. Alternatiewe apparatuur kan ook gebruik word wanneer presiese akkuraatheid benodig word.
- Die verskeidenheid is groot, en die prys het gedaal soos wat die gebruik toegeneem het.
- Draagbare GPS word gebruik deur boere om spesifieke plekke op hul plaas neer te stip.
- Baie nuwe motors word toegerus met GPS stelsels om bestuurders te navigeer.
- Die weermag gebruik GPS om missiele op teikens te stel.

8. Wat is 'n besproeiingstydstellertoestel?

- Dit is 'n apparaat wat die watersisteem aan en af skakel.
- Dit wissel van 'n eenvoudige apparaat wat gebruik word vir tuine tot meer gekompliseerde outomatiese sisteme wat professionele landskapsargitekture en boere gebruik.

Die drie basiese tipes tydstellermeganismes sluit meganiese, battery aangedrewe, en elektriese tydstellertoestelle in.

Meganiese tydsteller

- 'n Meganiese tydsteller is die eenvoudigste en goedkoopste tipe.
- Dit benodig nie elektrisiteit of batterye nie en word aan 'n tuinslang of kraan gekoppel.
- Dit werk soos 'n kombuisklok. Die gebruiker maak die water oop en die tydsteller skakel dit op 'n gestelde tyd of volume water wat gebruik is af.
- Dit word gewoonlik gestel met 'n ratwiel en is baie betroubaar omdat dit nie krag gebruik nie.



Batteryaangedrewe tydsteller

- Soos wat die naam aandui, gebruik dit 'n battery wat 'n seisoen hou.
- Dit word ook aan die tuinslang of kraan gekoppel en het outomatiese aan- en afskakelaars, sodat gebruikers die tyd kan stel.
- Sommige modelle het LED skerms en kan meer as een program gebruik. Dit maak hul gewild en is gerieflik vir vakansiegangers.
- Indien die battery pap is, sal die tydsteller sy program verloor.

Elektroniese tydsteller

- 'n Elektroniese tydsteller kan meer ingewikkeld en duurder wees, maar het meer funksies.
- Dit word gekoppel aan die primêre waterbron en gebruik elektrisiteit, soms met 'n battery. Afhangende van die model, sal 'n elektroniese tydsteller in staat wees om meer as een klep te beheer, sodoende kan gebruikers verskillende tye en programme vir elke klep stel.
- Dit het gewoonlik 'n sleutelbord en 'n LED skerm vir programmering.
- Gebruikers kan die begintyd stel asook die tydsduur vir die sisteem en kan sodoende vir ekstra tye natmaak.
- Baie van hierdie tydstellers kan met 'n afstandbeheer, rekenaar of telefoon beheer word.

9. Wat is besproeiingssagteware?

Besproeiingssagteware is 'n program wat gebruik word om besproeiingstelsels te beheer.

- Programme vir besproeiingsdoeleindes verskil van 'n eenvoudige kostelose program wat mense tuis kan gebruik tot ingewikkelde sisteme vir die besproeiing van kommersieel boerderygewasse.
- Verbruikers van programme word gewoonlik ondersteun en opgraderings is beskikbaar as deel van die pakket. Dit kan ook konsultasies van mense insluit wat advies oor besproeiing kan gee.
- Daar is verskillende redes vir die gebruik van besproeiingsprogramme.
- Vir groot sisteme sal 'n program die enigste manier wees om dit te beheer.
- Programme beheer wanneer water aan en af gesit word, hoe gereeld natgemaak word en hoeveel water gegee moet word.
- Op 'n groot plaas of groot landgoed, sal waterbeheer moeilik wees sonder 'n program.
- Hierdie programme sluit opsporingsmeganismes in wat tred hou met die hoeveelheid water wat gegee word, monitor die gemiddelde reënval en versamel data.
- Hierdie data kan gebruik word om programme te verander, sodat daar gesien kan word of die doelwitte bereik is en om patrone te identifiseer wat belangrik is.
- Die sagteware kan geprogrammeer word om die vloeibare kunsmis te beheer.
- Besproeiingsondernemings kan spesialiseer in die installasie van besproeiings- sisteme wat deur programme beheer word.
- 'n Werkstasie kan in die middel van 'n huis opgerig word waarvandaan verskillende take in die huis en tuin beheer kan word.
- Mense kan ook hul eie sisteme en programme installeer indien hul ervaring het.
- Wanneer daar gekyk word na programme, moet mense in gedagte hou wat hulle daarmee wil doen.
- 'n Program wat reageer op weersomstandighede en outomaties kan herprogrammeer kan van waarde wees.
- Programme wat statistiek en data hou en programme wat vogsensors het is waardevol.



- Mense kan dalk die ondersteuningsopsie ondersoek.
- Dit lyk dalk nie belangrik om sagtewareondersteuning te hê nie, maar dit kan help om mense te kan bel wanneer daar probleme is.

10. Wat is 'n watersuiweringsstelsel?

- Watersuiweringsstelsels het noodsaaklik geword in groot dele van die wêreld as gevolg van besoedeling en ander onsuiverhede in drinkwater.
- 'n Waterfilter verwyder die onsuiverhede van die water.

Verskillende soorte watersuiweringstoestelle

Distilleerders

- **Distilleerders** is 'n soort watersuiweringstoestel.
- Dit verhit water tot dit verdamp.
- Wanneer die stoom afkoel, in 'n ander deel van die filter, kondenseer dit terug.
- Dit is een van die beste maniere om water te suiwer.
- Distillering kan nie chemiese produkte wat dieselfde kookpunt as water het, verwyder nie, soos ammonia. Dit is 'n baie stadige filter. Ongeveer drie liter in 'n uur.

Omgekeerde osmose

- Watersuiwering kan ook deur middel van omgekeerde osmose plaasvind.
- Dit is een van mees gebruikte waterfiltreringstelsels.
- Die water word deur twee verskillende vloeistowwe gestuur, wat geskei word deur 'n deurdringbare film wat water op 'n molekule vlak deurlaat.
- Die water vloei dan deur die stelsel en laat onsuiverhede agter.
- Hierdie metode is ook stadig en professionele mense moet die filters op gereelde basis vervang.

Watersuiweringstelsel wat die hele huis bedien

- Hierdie stelsel gebruik 'n papierelement om water te filtreer. Dit werk baie vinniger as ander filters.
- Hierdie soort filter benodig 'n waterversagter.
- Dit word gekoppel aan die inkomende waterpyp en voorsien skoon water vir die hele huis.

Kraan waterfilters

- Hierdie filters word gekoppel aan die kombuiskraan en suiwer water soos dit uitkom.
- Die meeste kan aan en af geskakel word en sommige het ook verskillende maniere van spreid soos stroom of stort.
- Elemente is baie goedkoop en maklik om te vervang.



Houer wat water filtreer

- In die meeste gevalle word die water deur die bo-punt van die filter gegooi. Dit word dan gefiltreer totdat dit die onderste houer bereik.
- Die suiweringsstelsel is baie bekostigbaar.
- Dit kan gebruik word om water vir die hele huis te filtreer, of slegs 'n koppie.
- Waterfilters is ook geskik vir waterbottels
- Waterfilters verwyder meeste van die onsuierhede uit water en voorsien mense van gesuiwerde skoon water.

11. Geïntegreerde data deur 'n Geografiese- Inligtingsstelsel

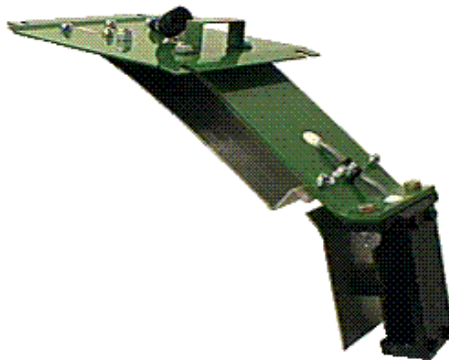
- **Opbrengsmonitors** word op oesmasjiene geïnstalleer om oes opbrengs te meet
- Die data van die monitor word opgeneem en gereeld gestuur, saam met data wat ontvang word van die GPS
- GIS sagteware gebruik oesdata en maak dan opbrengskaarte.

GPS – Globale Posisionering Stelsel Bepaal posisie tot op een meter

GIS – Geografiese Inligting Stelsel Wys van swak groeiareas

VTT-Veranderende Tempo Tegnologie. Plaastoerusting wat met presisie die tempo van toediening kan bepaal.

Die gebruik van hierdie tegnologie genereer 'n enorme hoeveelheid data en moet met 'n rekenaar geprosesseer word.



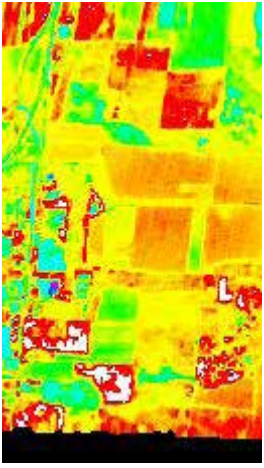
Stroper opbrengsmonitor

Stroper opgaartenk vloeimonitor



VTT Kunsmis Strooier





Genormaliseerdeplantegroei-indeks van lande op die plaas

Afstandswaarnemingdata beeld data van die grond en gewasse word verwerk en dan by die GIS databasis gevoeg

Navorsing

Presisieboerdery is die integrasie van tegnologie. Amerika en ander regerings het vir die ontwikkeling van tegnologie soos GPS en GIS betaal. Hierdie tegnologie word vandag dwarsoor die wêreld gebruik vir presisieboerdery.





Published by the Department of Basic Education

222 Struben Street

Private Bag X895, Pretoria, 0001

Telephone: 012 357 3000 Fax: 012 323 0601

© Department of Basic Education

website

www.education.gov.za

facebook

www.facebook.com/BasicEd

twitter

www.twitter.com/dbe_sa