



EGD Grade 10, 11 & 12

Freehand drawing

Developed by: PC Viljoen
Senior Educational Specialist for
Engineering Graphics and Design
Free State Province



education

Department of
Education
FREE STATE PROVINCE

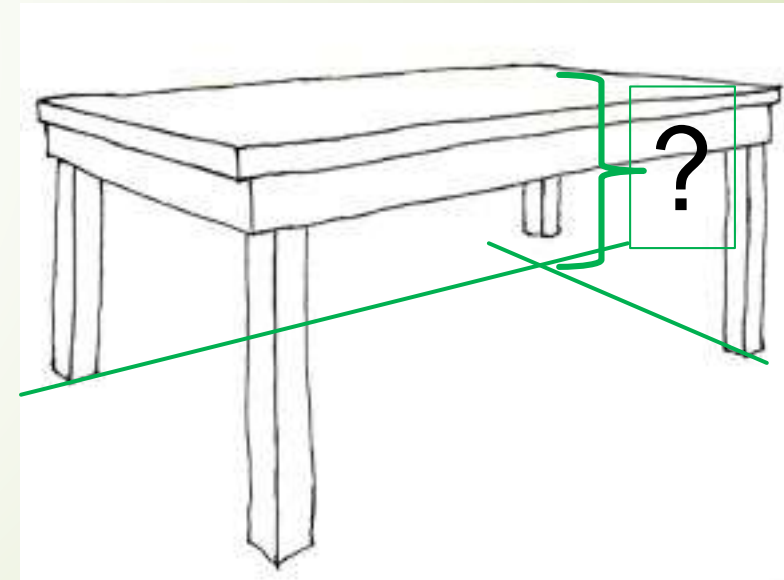


Freehand drawing

- Freehand drawings are often used by designers and architects to ensure good communication
- Drawing free hand is a skill that can be developed over time.

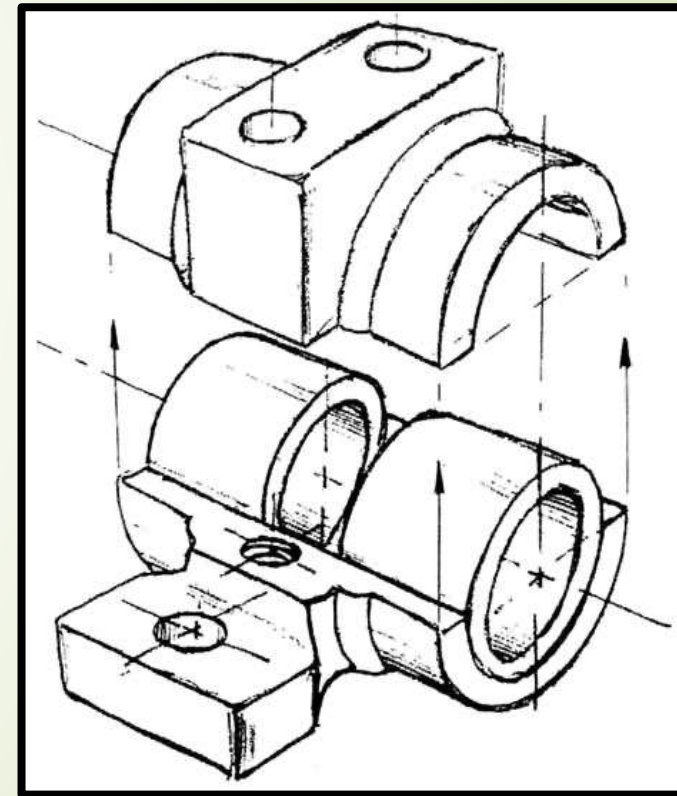
Freehand drawing

- Freehand drawings should...
 - be **accurate**
 - have good **line quality**
 - be in good **proportion**

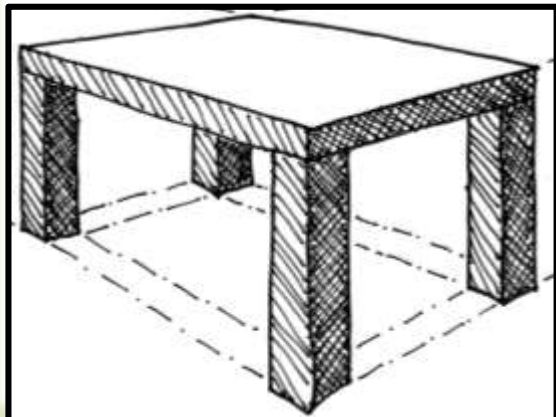
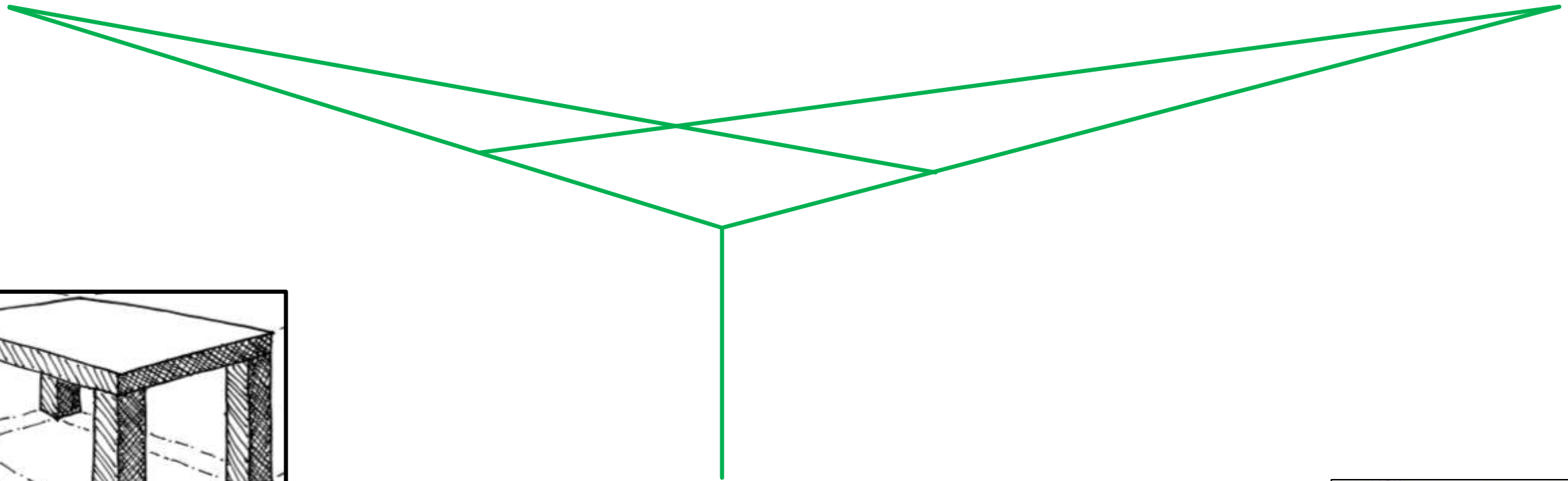


Freehand Drawing Tips

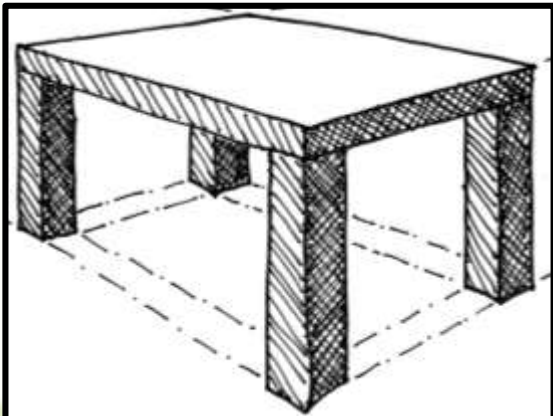
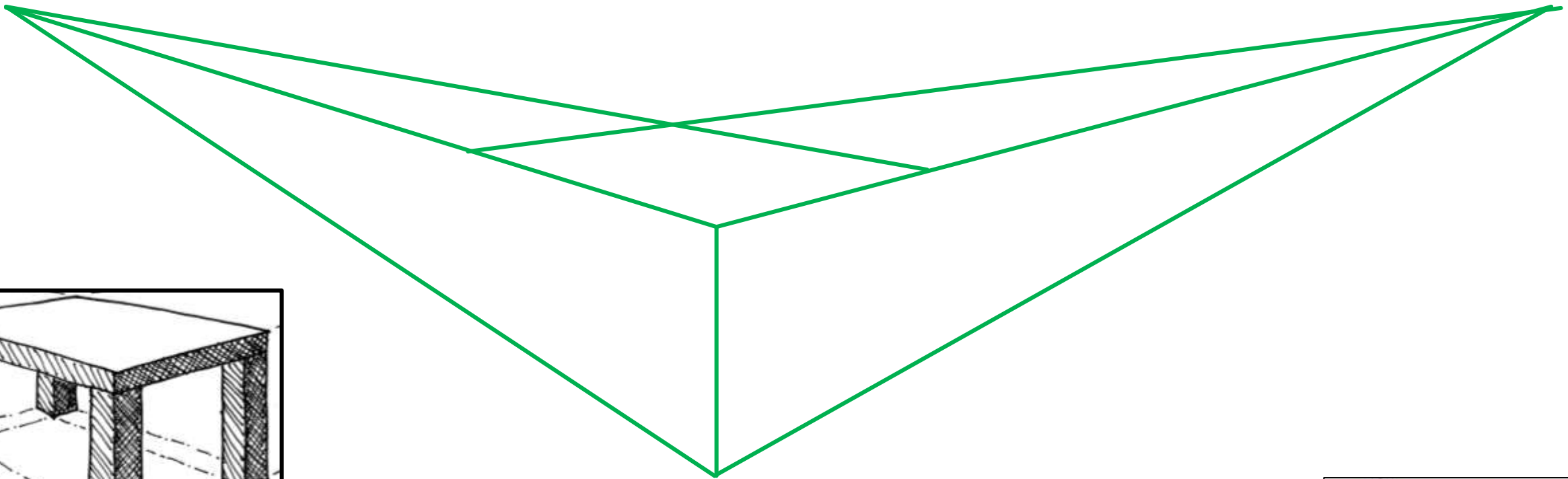
- Use a softer pencil
- Draw lines in one movement
- Draw lines away from you
- Aim at the point towards which the line will end
- Use pre-drawn lines before you draw the final line



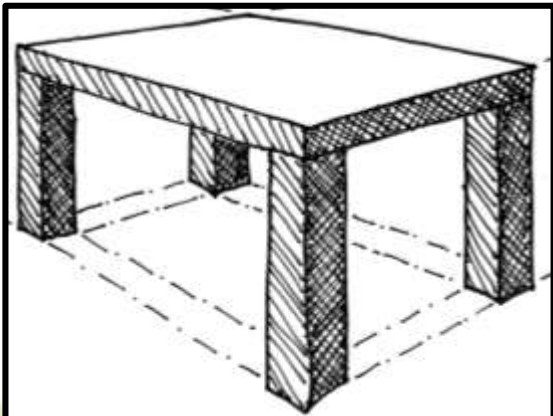
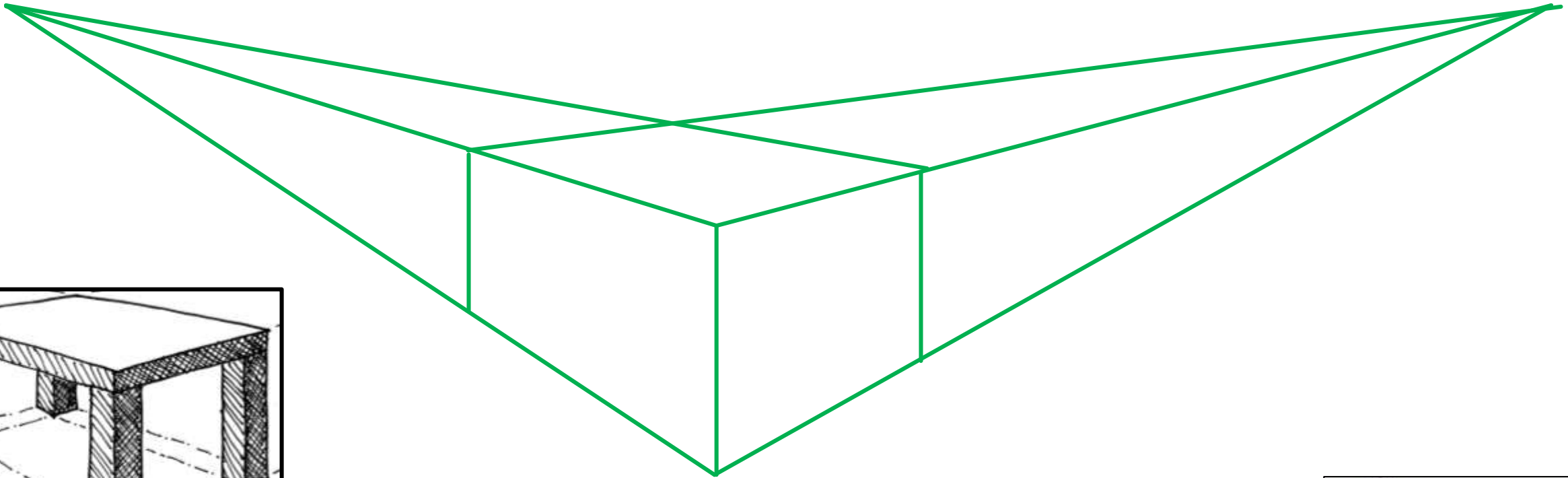
Freehand Drawing Tips



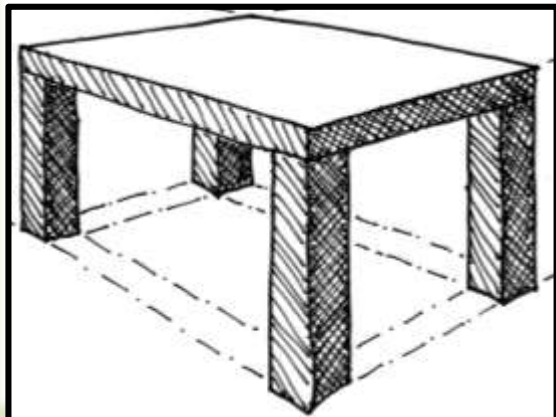
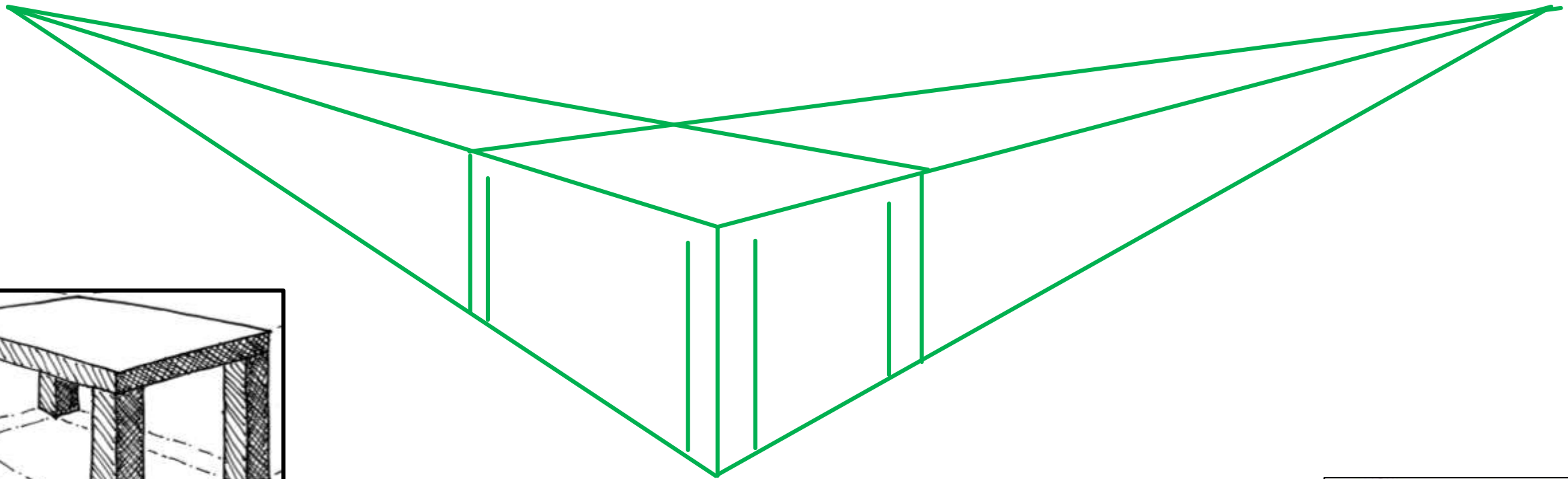
Freehand Drawing Tips



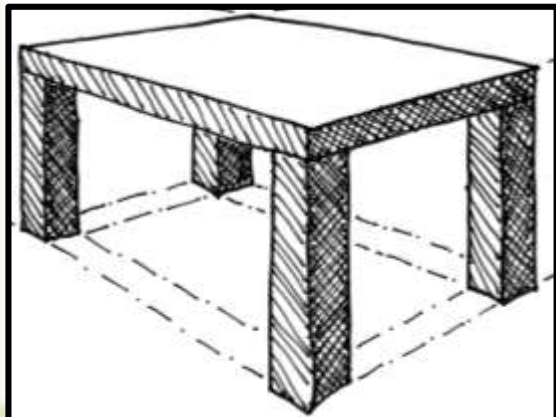
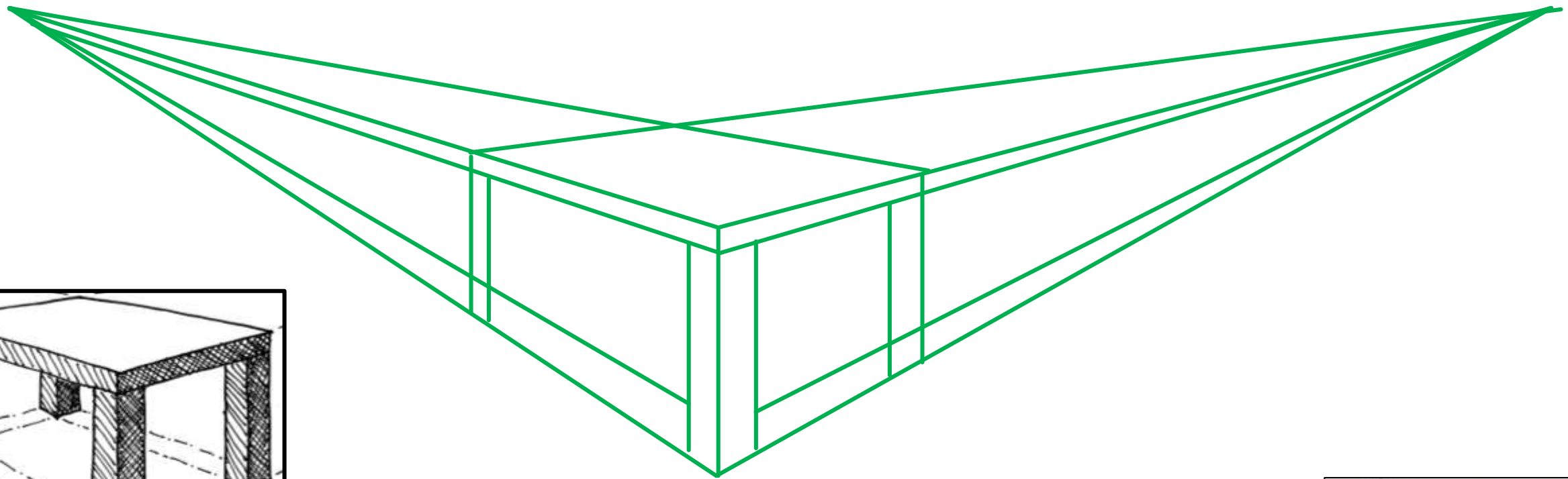
Freehand Drawing Tips



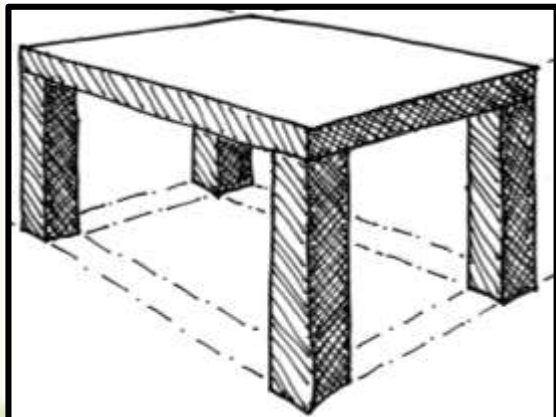
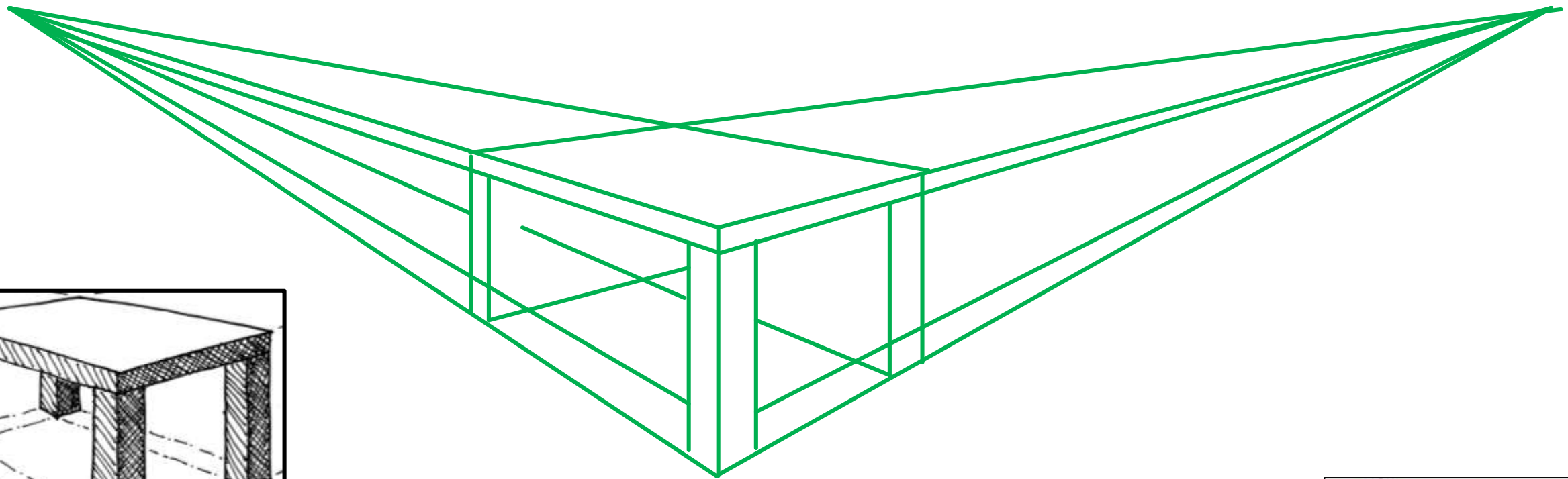
Freehand Drawing Tips



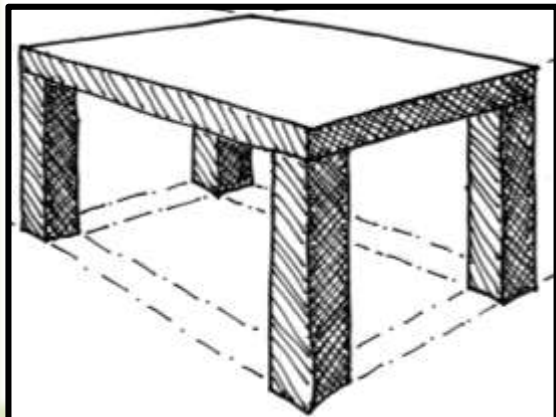
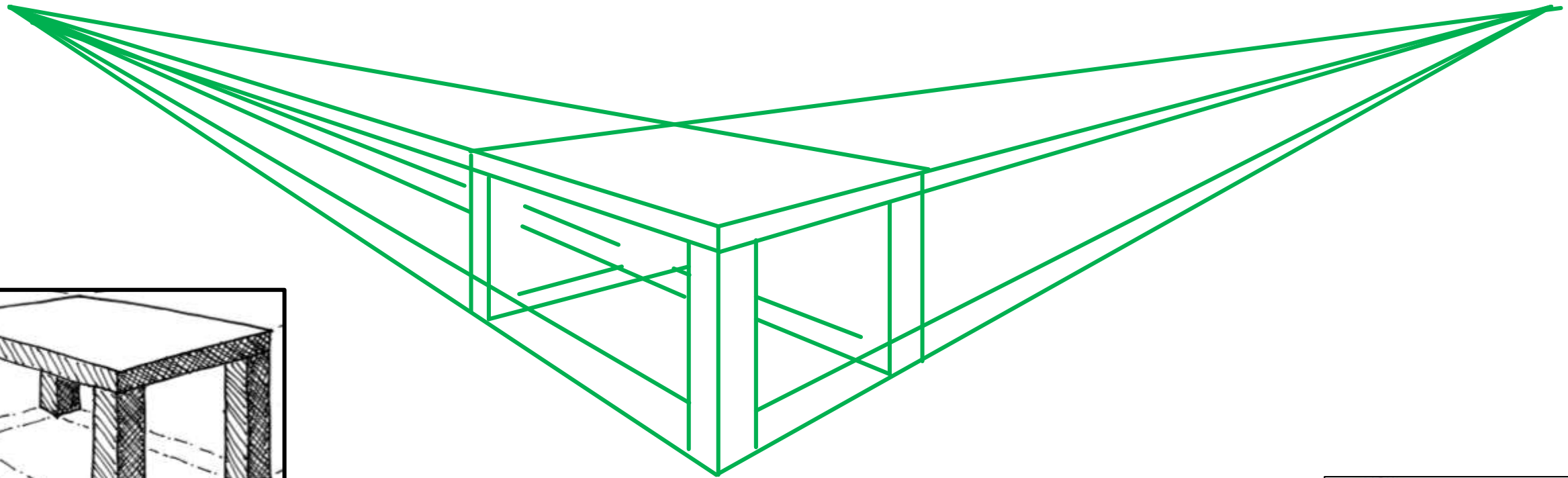
Freehand Drawing Tips



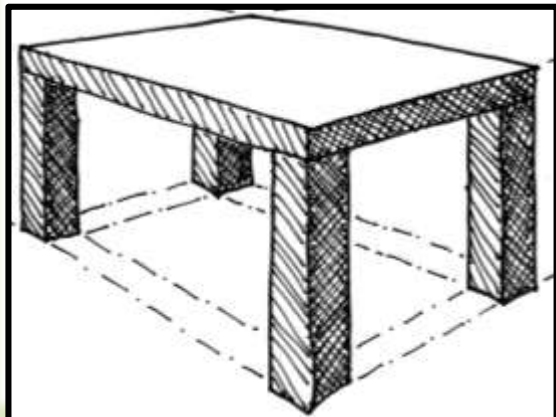
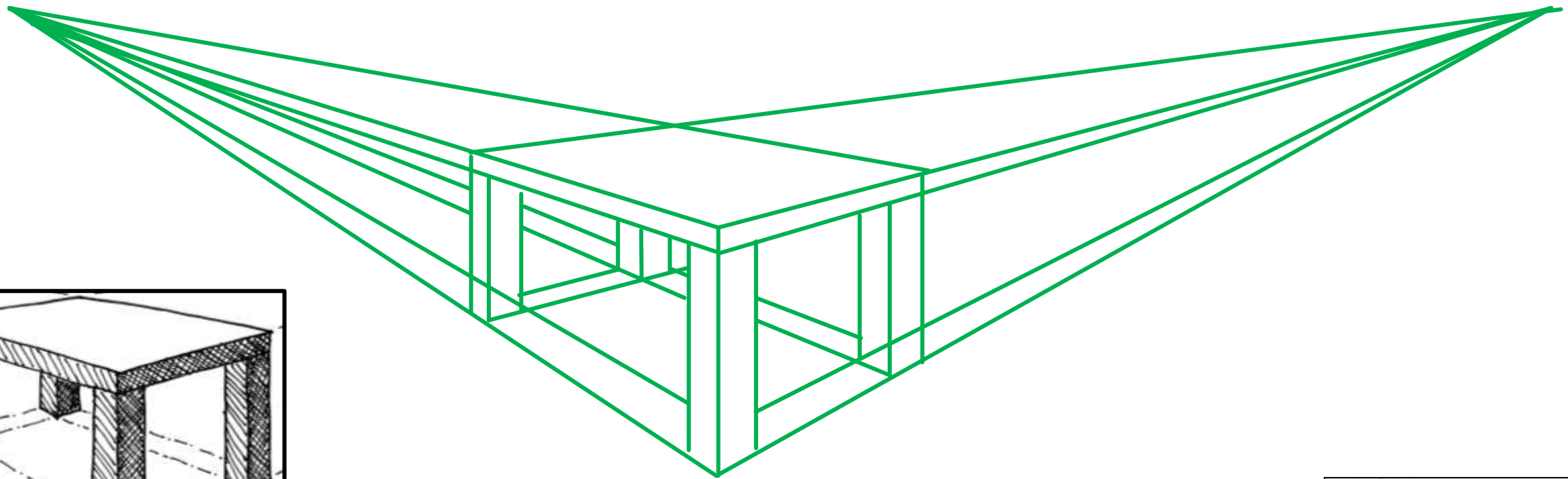
Freehand Drawing Tips



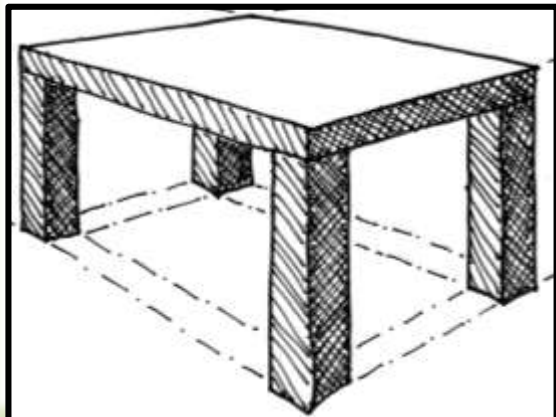
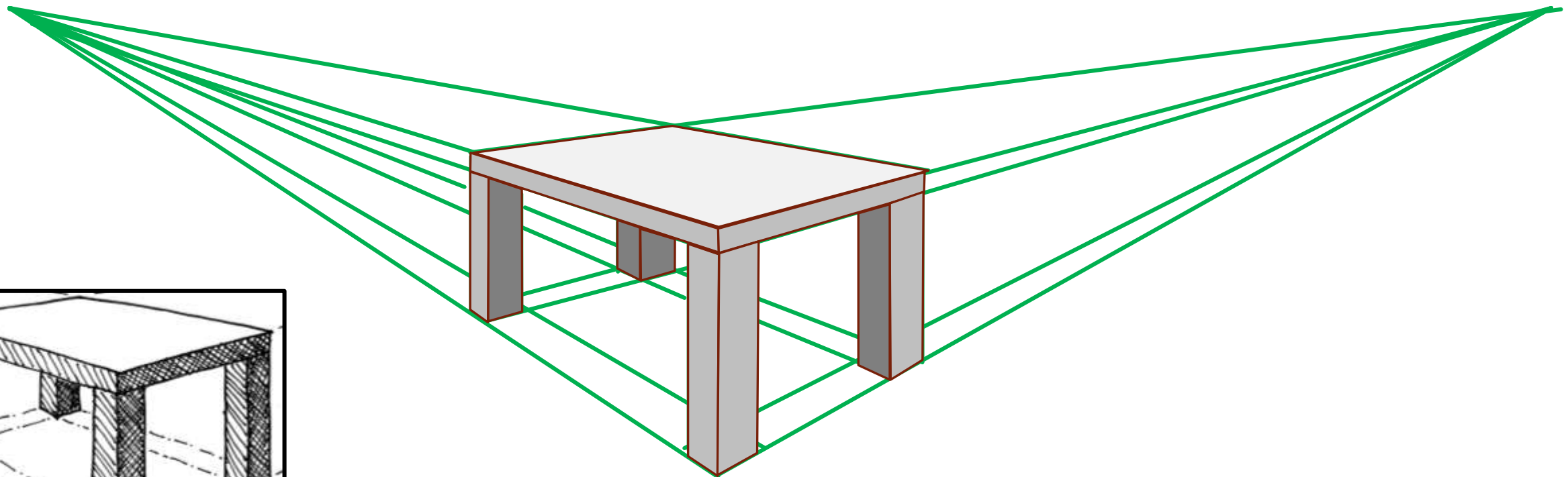
Freehand Drawing Tips



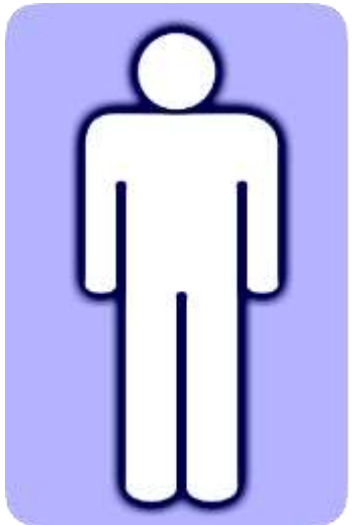
Freehand Drawing Tips



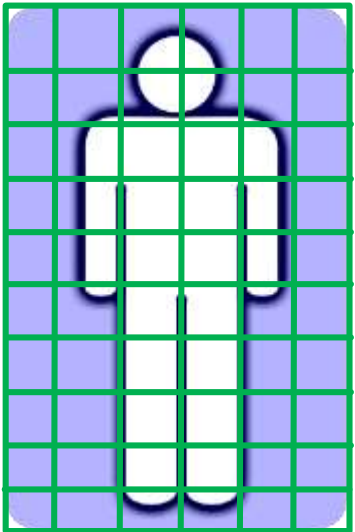
Freehand Drawing Tips



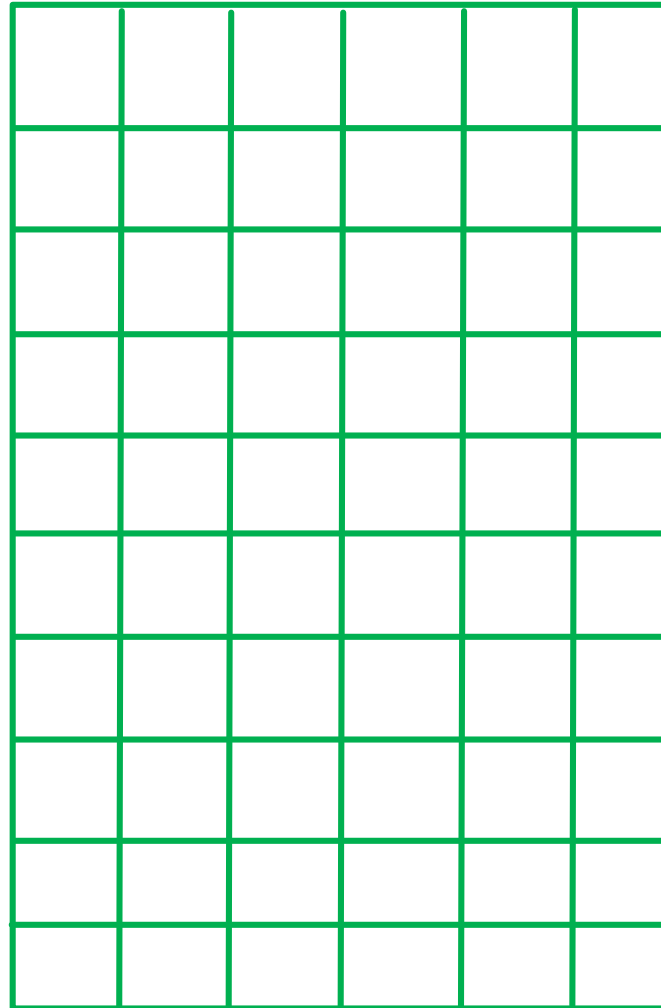
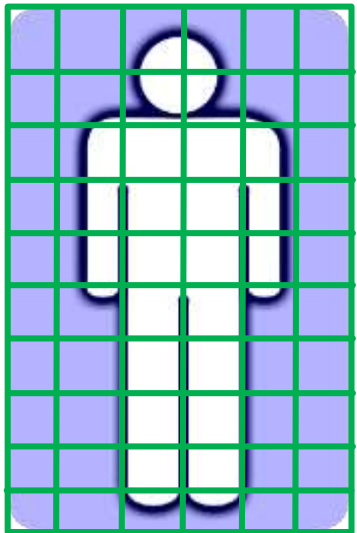
Freehand Drawing Tips



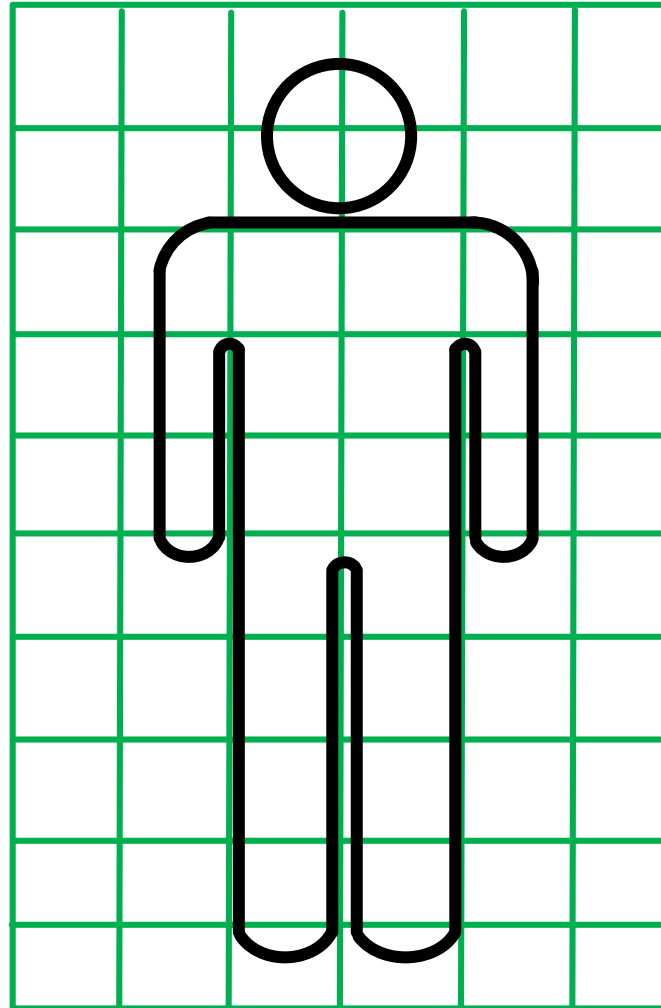
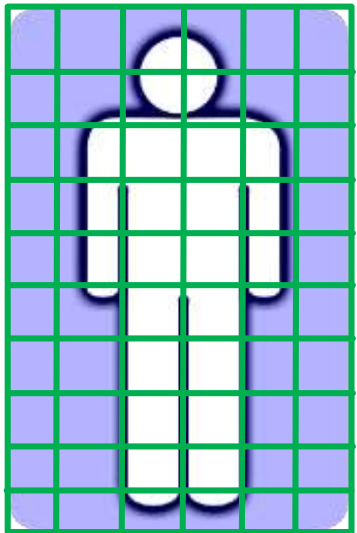
Freehand Drawing Tips



Freehand Drawing Tips



Freehand Drawing Tips



Freehand Drawing Tips

