

**QUESTION: FREEHAND DRAWINGS**

**GIVEN:**

Two drawings in a grid block and positions A1 and B1.

**INSTRUCTIONS:**

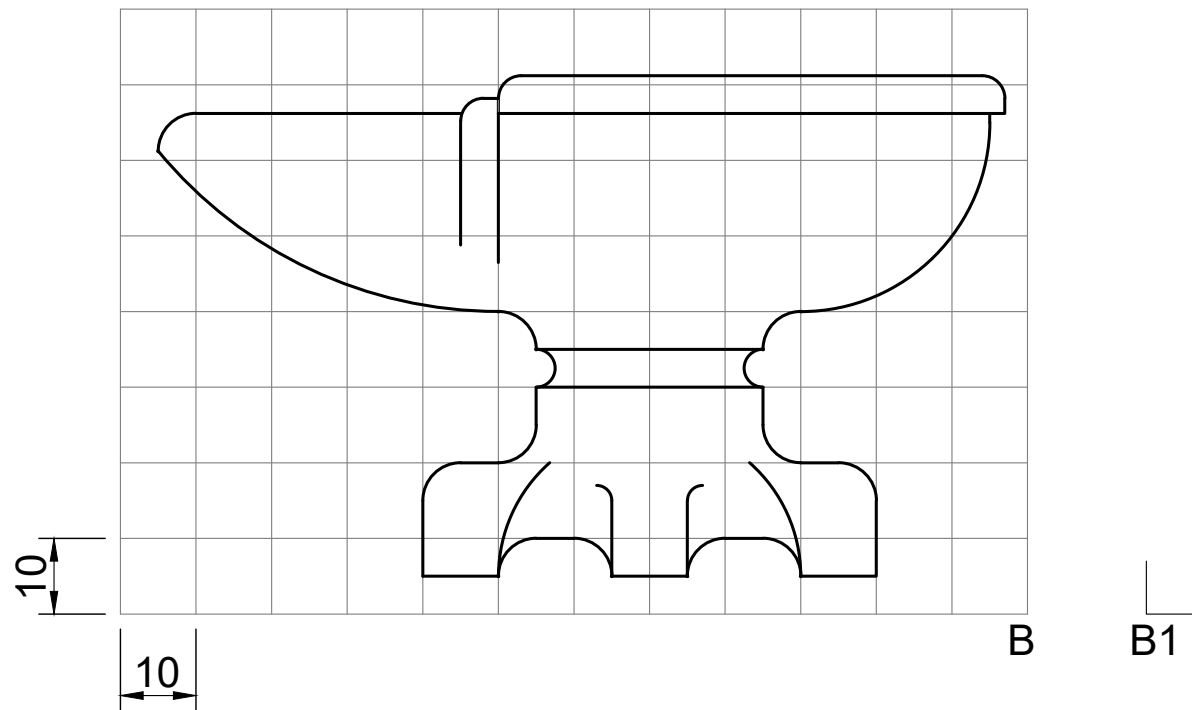
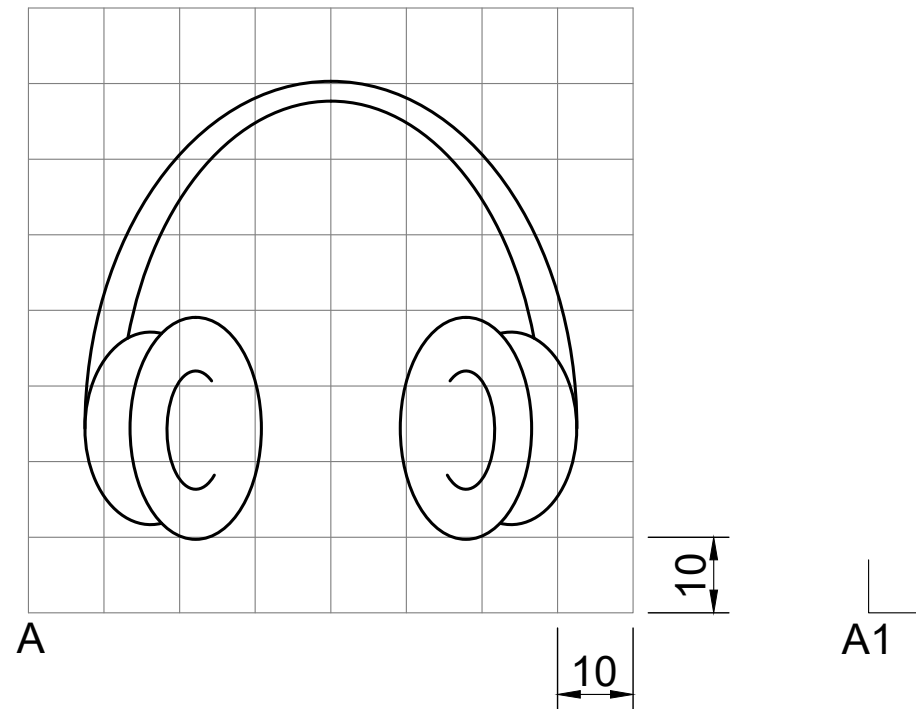
- At position A1 and by means of your drawing instruments, draw the given grid block.
- Use the grid block at position A1, and draw freehand the given drawing.
- At position B1 and by means of your drawing instruments, draw the given grid block.
- Use the grid block at position B1, and draw freehand, a symmetrical view of the given drawing.

**NOTE:**

Marks will be subtracted for the following:

- untidy and wrong line quality
- mistakes on measuring with a tolerance larger than 1 mm.

[10]



ASSESSMENT CRITERIA				
CORRECTNESS OF THE DRAWING				
DESCRIPTION	GENERAL INDICATORS	%	MARK	MARK
OUTSTANDING	ERROR FREE	100%	7	
MERITORIOUS (VERY GOOD)	FEW ERRORS	80%	6	
SUBSTANTIAL (GOOD)		70%	5	
ADEQUATE (SATISFACTORY)	SOME ERRORS	>50%	4	
MODERATE (ACCEPTABLE)		<50%	3	
ELEMENTARY (UNACCEPTABLE)	MANY ERRORS	33%	2	
NOT ACHIEVED (VERY BAD)	COMPLETELY WRONG	<25%	1	
NON-COMPLIANCE	NO WORK SUBMITTED	0	0	
+				
QUALITY & NEATNESS				
OUTSTANDING (VERY GOOD)	VERY EASY TO READ	80%	3	
ADEQUATE (SATISFACTORY)	COULD DO BETTER	60%	2	
NOT ACHIEVED (UNACCEPTABLE)	DIFFICULT TO READ	<50%	1	
NON-COMPLIANCE	NO WORK SUBMITTED	0	0	
<b>TOTAL</b>			<b>10</b>	



<b>FREEHAND DRAWINGS</b>	ESTIMATED TIME FOR COMPLETION	25 MIN	GRADE <b>10</b>	NAME & SURNAME		TASK <b>1.4</b>	PAGE <b>4</b>
	YOUR TIME OF COMPLETION	MIN					