

QUESTION: FREEHAND DRAWINGS AND SCALES

GIVEN:

A drawing in a grid block, position Q1 at the area marked scale 1 : 2 and the centre line start position Q at the area marked scale 1 : 1.

INSTRUCTIONS:

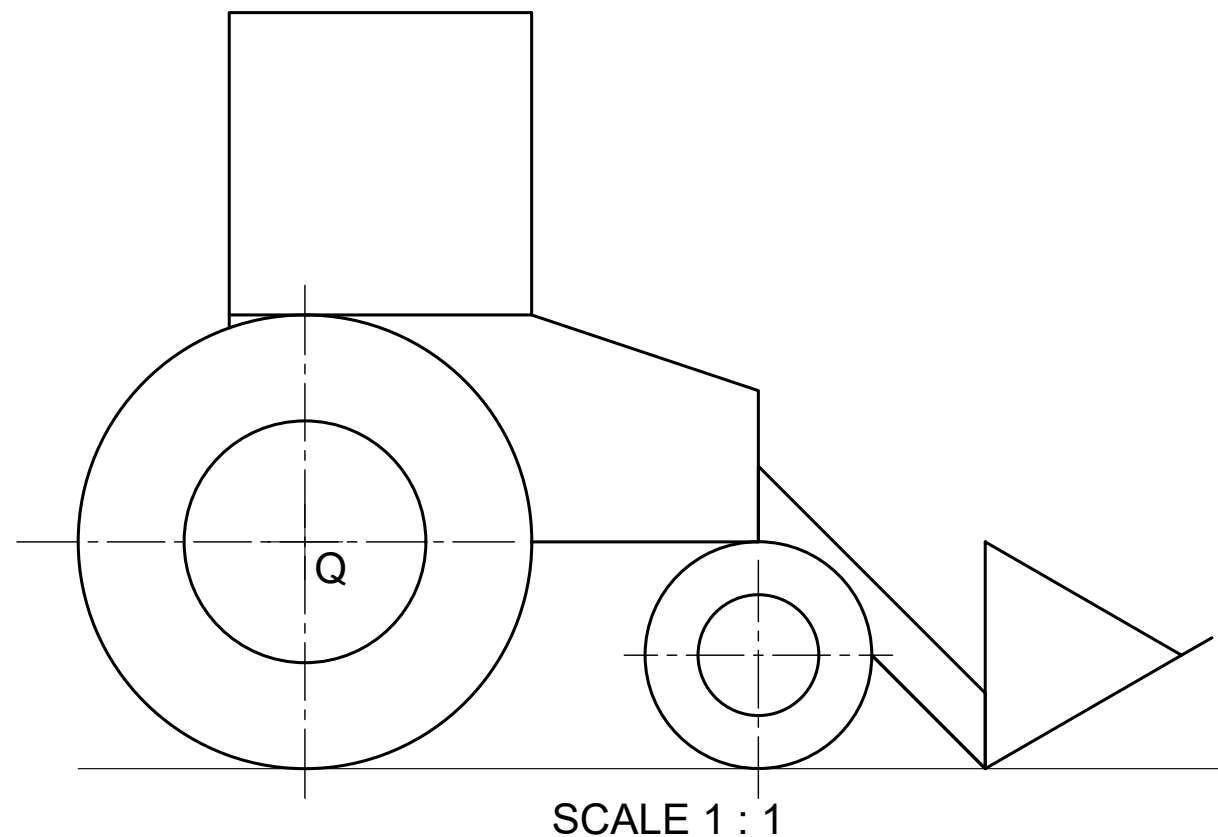
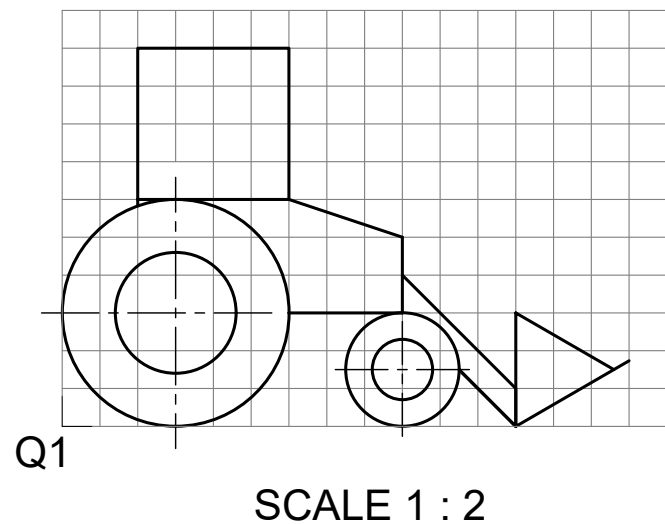
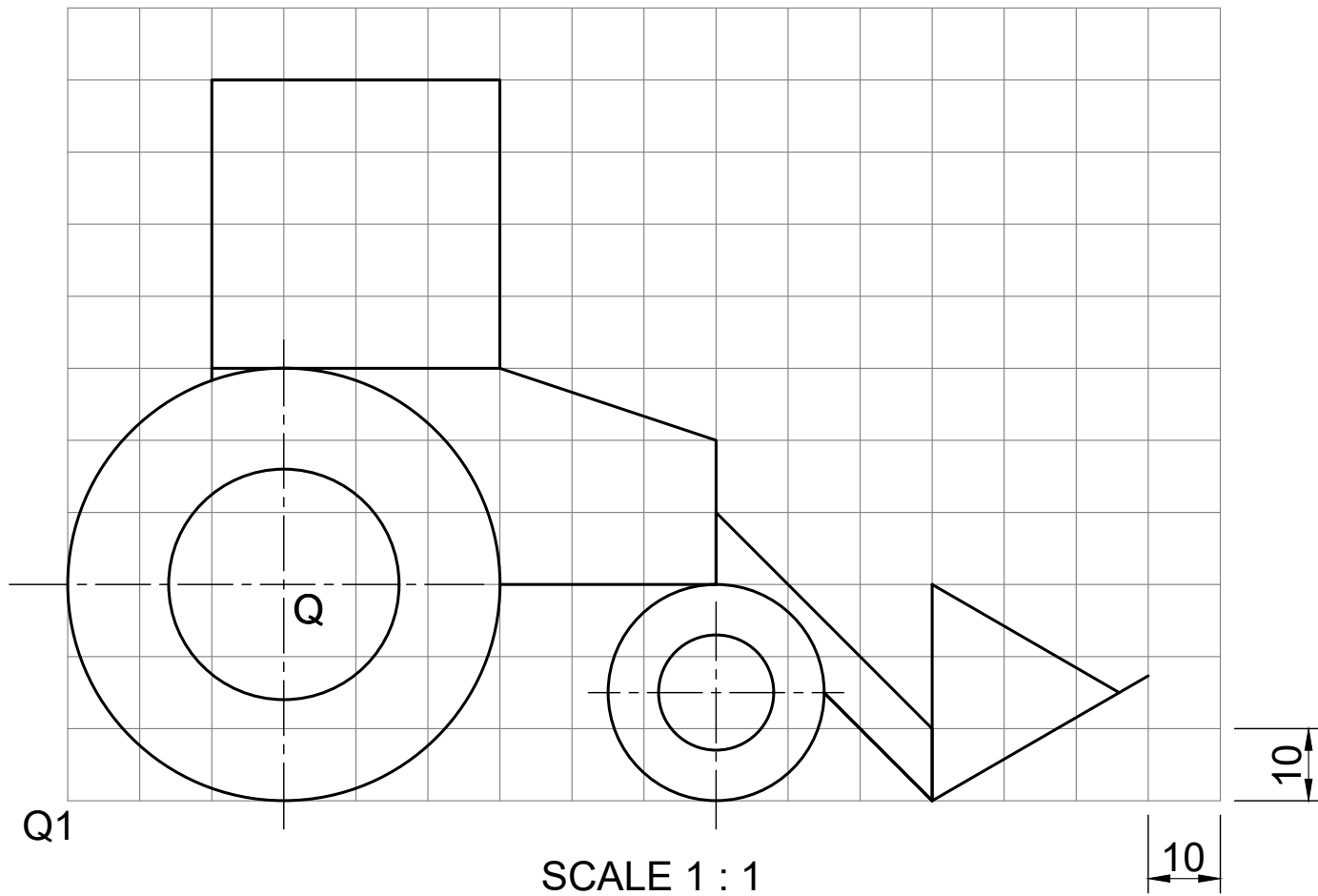
1. Use the position Q1 and by means of your drawing instruments, draw the given grid block according to a scale of 1 : 2.
2. Use this grid block at start position Q1 and draw a freehand drawing of the given drawing according to a scale of 1 : 2.
3. Use position Q and by means of your drawing instruments, draw a formal copy of the drawing according to a scale of 1 : 1. No grid block is required.

NOTE:

Marks will be subtracted for the following:

- untidy and wrong line quality
- mistakes on measuring with a tolerance larger than 1 mm.

[10]



ASSESSMENT CRITERIA				
CORRECTNESS OF THE DRAWING				
DESCRIPTION	GENERAL INDICATORS	%	MARK	MARK
OUTSTANDING	ERROR FREE	100%	7	
MERITORIOUS (VERY GOOD)	FEW ERRORS	80%	6	
SUBSTANTIAL (GOOD)		70%	5	
ADEQUATE (SATISFACTORY)	SOME ERRORS	>50%	4	
MODERATE (ACCEPTABLE)		<50%	3	
ELEMENTARY (UNACCEPTABLE)	MANY ERRORS	33%	2	
NOT ACHIEVED (VERY BAD)	COMPLETELY WRONG	<25%	1	
NON-COMPLIANCE	NO WORK SUBMITTED	0	0	
+				
QUALITY & NEATNESS				
OUTSTANDING (VERY GOOD)	VERY EASY TO READ	80%	3	
ADEQUATE (SATISFACTORY)	COULD DO BETTER	60%	2	
NOT ACHIEVED (UNACCEPTABLE)	DIFFICULT TO READ	<50%	1	
NON-COMPLIANCE	NO WORK SUBMITTED	0	0	
TOTAL			10	

