



EGD Grade 10

Geometric Constructions

Construct a 120° angle from a point on a line

Developed by: PC Viljoen
Senior Educational Specialist for
Engineering Graphics and Design
Free State Province



education

Department of
Education
FREE STATE PROVINCE

Geometric Constructions

Question

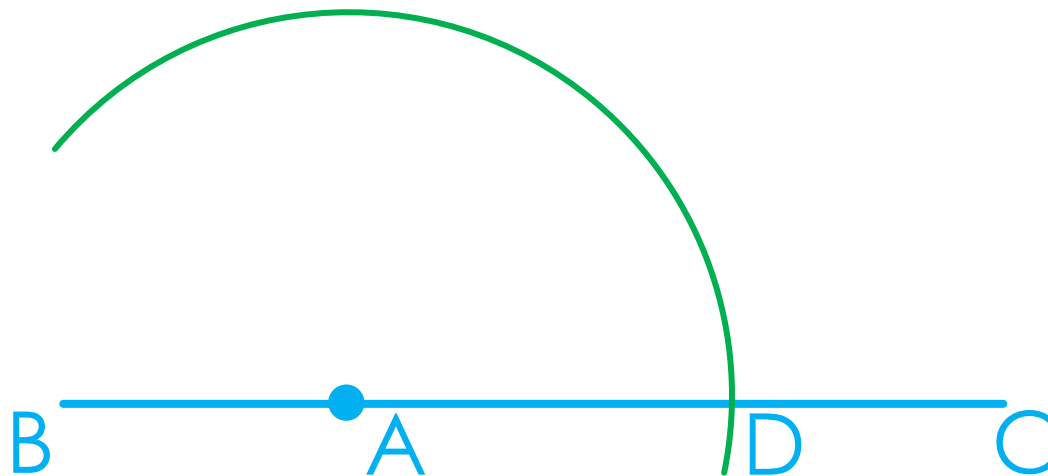
- Draw an angle of 120° from point A on line segment BC by means of construction



Geometric Constructions

Step 1

- **Question:** 120° angle from point A
- Draw an arc of any size from A to intersect line segment BC at D



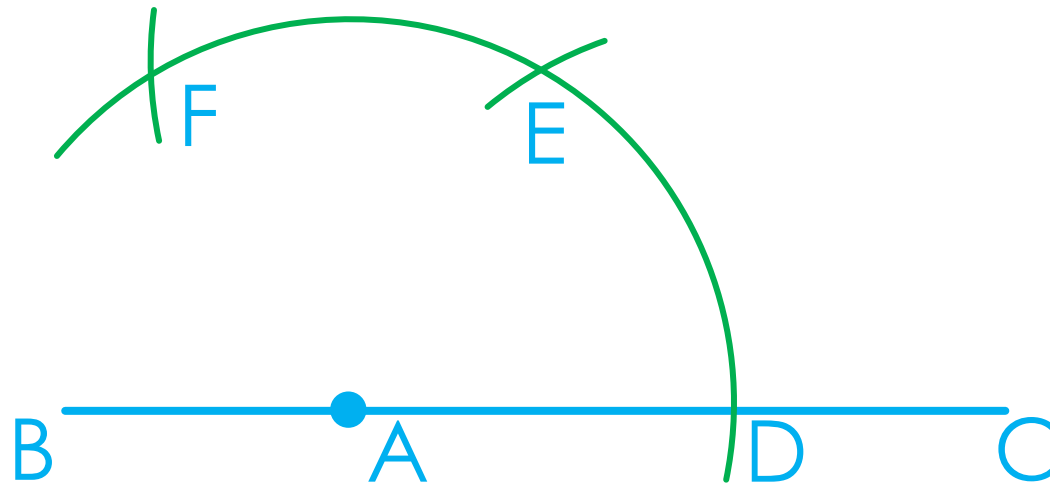
education

Department of
Education
FREE STATE PROVINCE

Geometric Constructions

Step 2

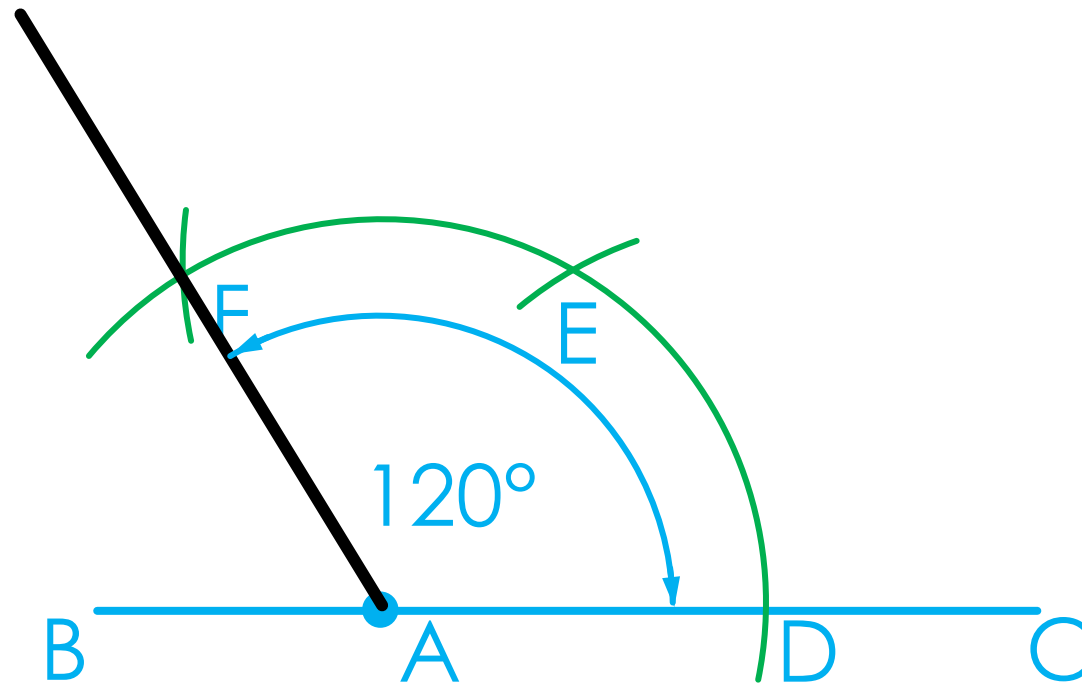
- **Question:** 120° angle from point A
- At the same size as arc AD, strike two similar sized arcs from intersection point D to intersect arc AD at E and F respectively



Geometric Constructions

Step 3

- **Question:** 120° angle from point A
- Join point A with the intersection point at F to complete the 120° angle



education

Department of
Education
FREE STATE PROVINCE

Geometric Constructions

Task 1.4.4

- On the prepared A3 drawing sheet (Task 1.3.3), draw line segment AB (75mm in length).
- **Question:** Draw an angle of 120° from point A on line segment AB by means of construction.
- Show all construction lines.
- Name this task 1.4.4

