



Constructing polygons

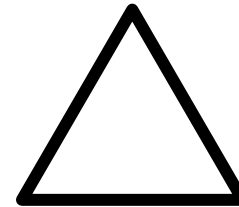
Triangles

Developed by: PC Viljoen
Senior Educational Specialist for
Engineering Graphics and Design
Free State Province

Constructing polygons

- ➔ Construct a **triangle** (3 sides)

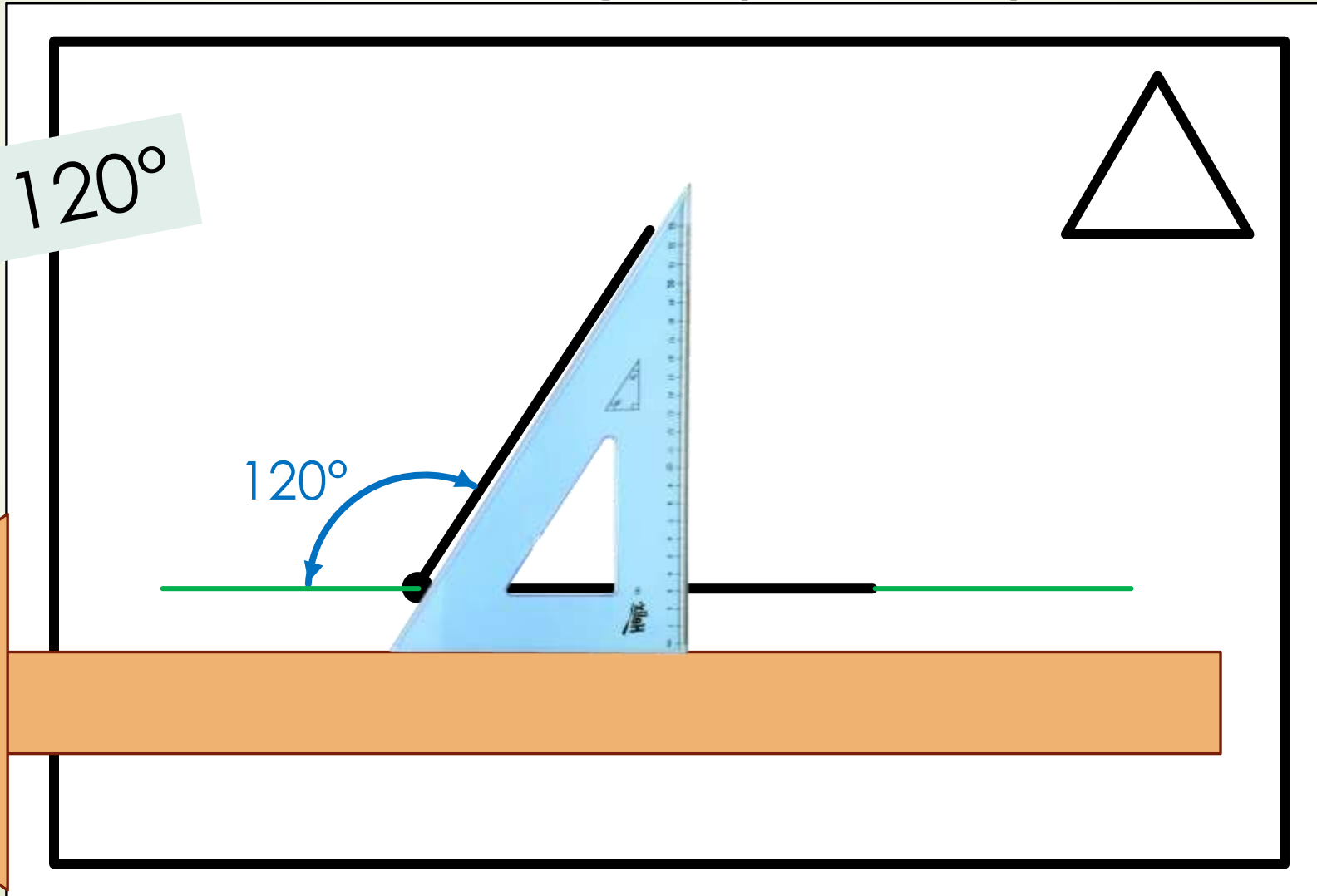
$$360^\circ \div 3 = 120^\circ$$



Constructing polygons

- ➔ Construct a **triangle** (3 sides)

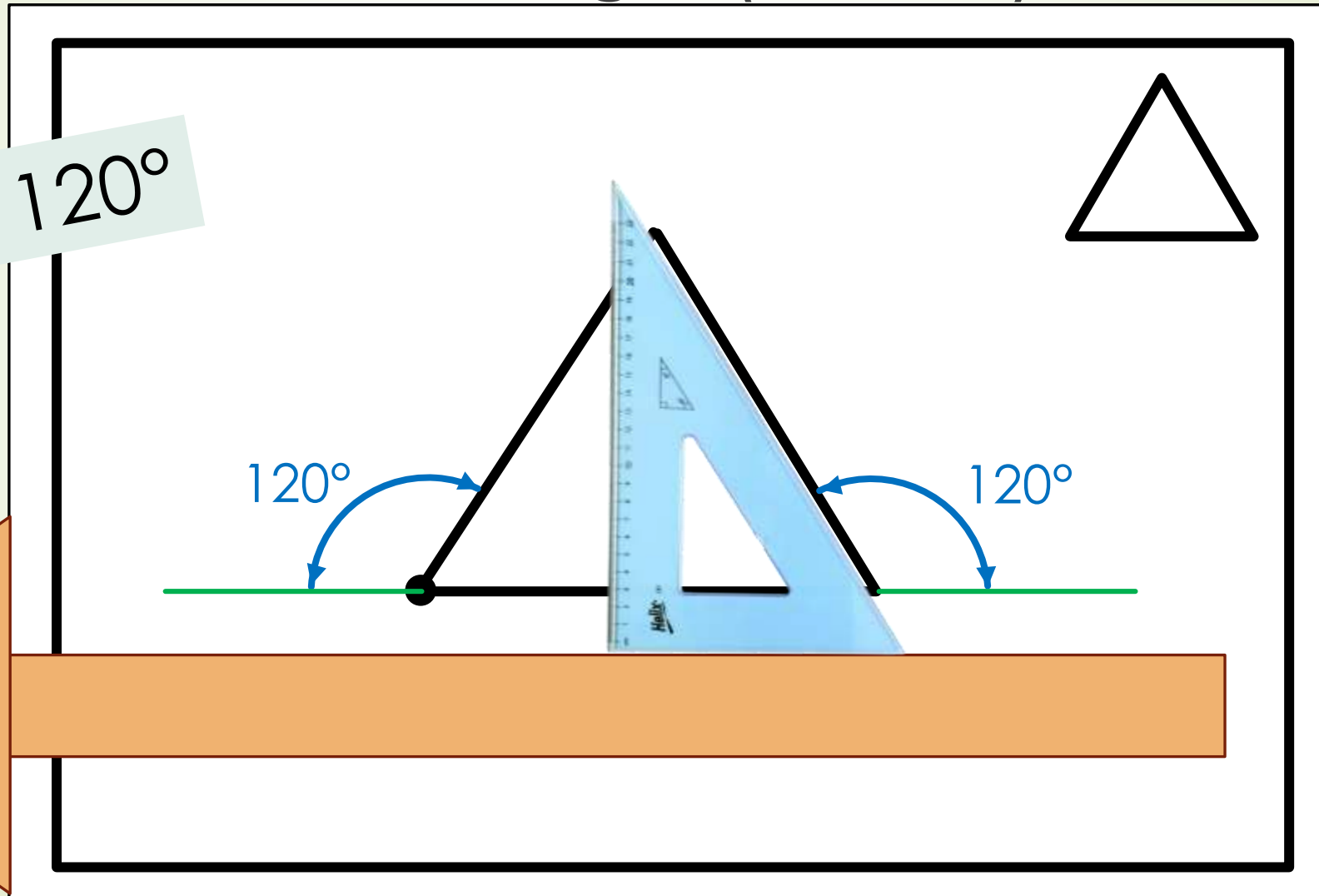
$$360^\circ \div 3 = 120^\circ$$



Constructing polygons

- ➔ Construct a **triangle** (3 sides)

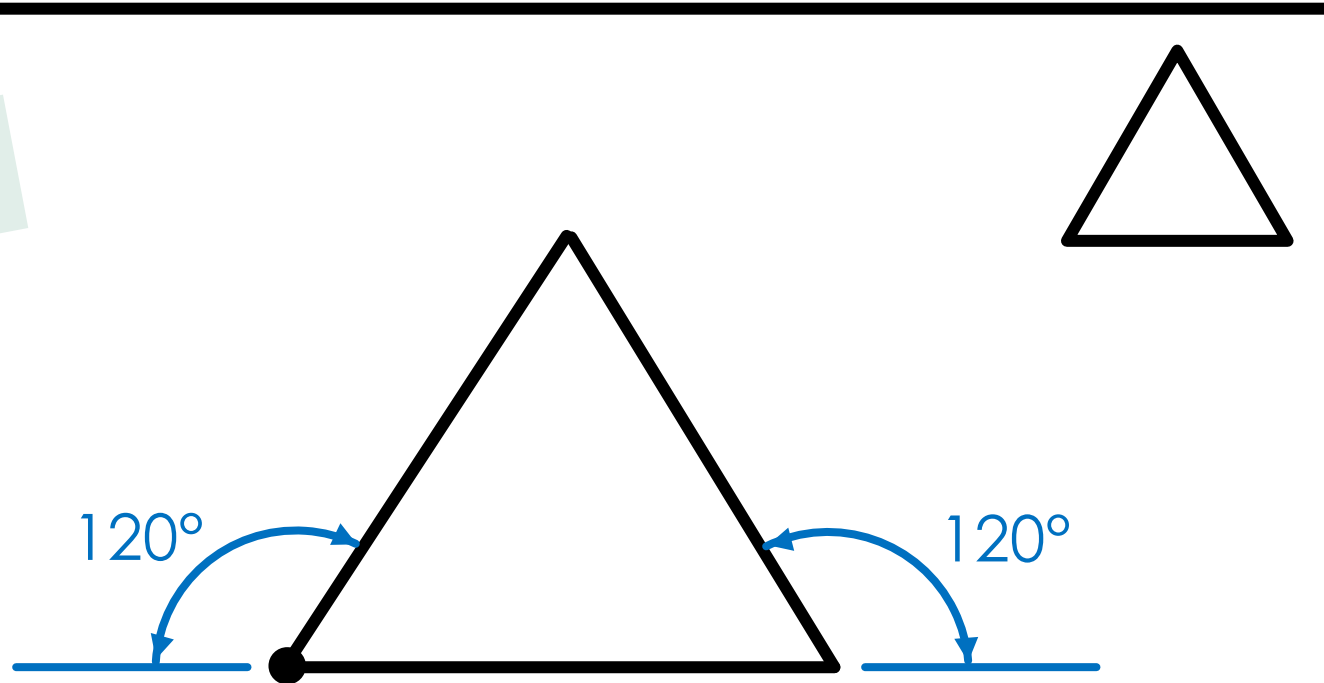
$$360^\circ \div 3 = 120^\circ$$



Constructing polygons

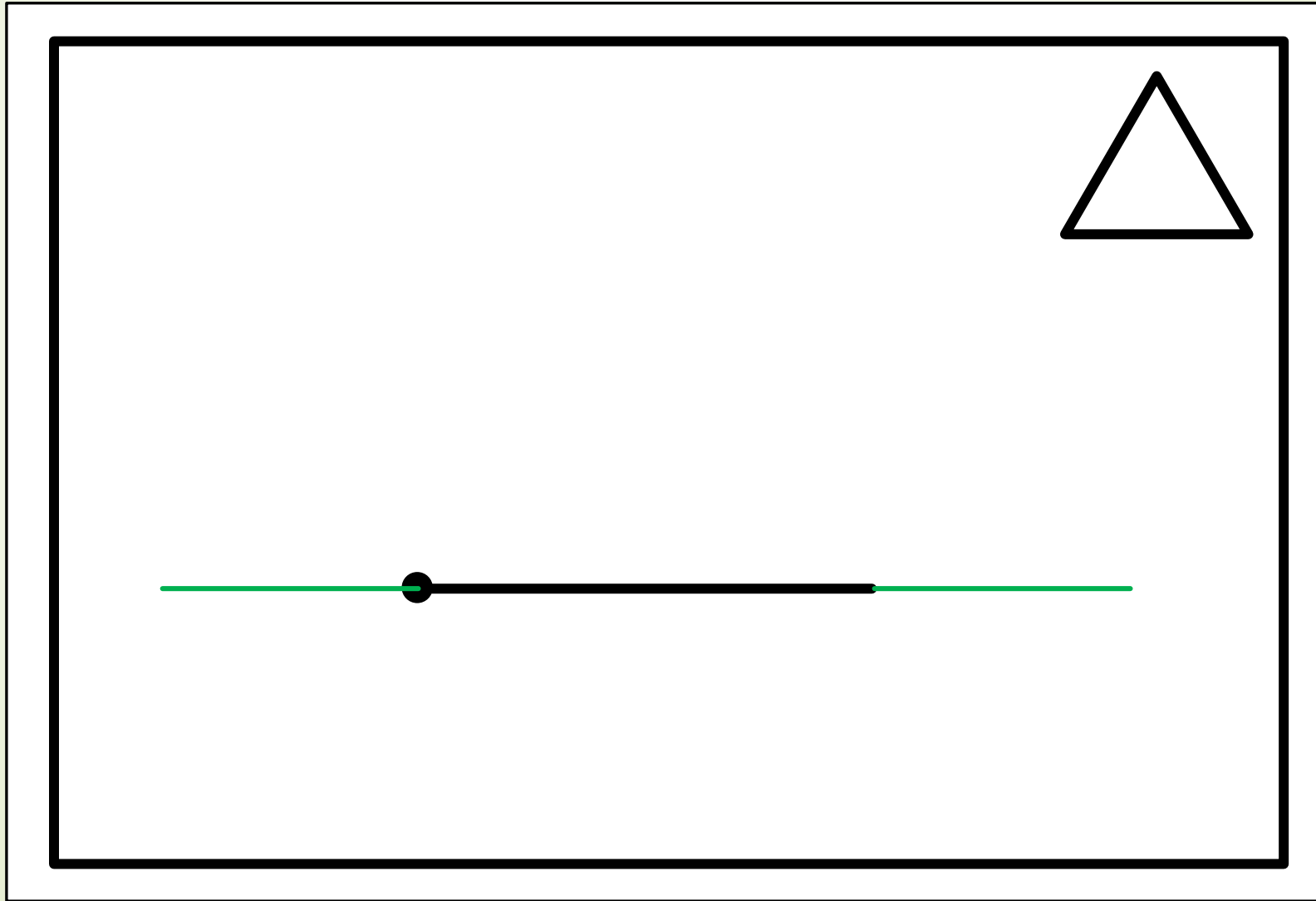
- ➔ Construct a **triangle** (3 sides)

$$360^\circ \div 3 = 120^\circ$$



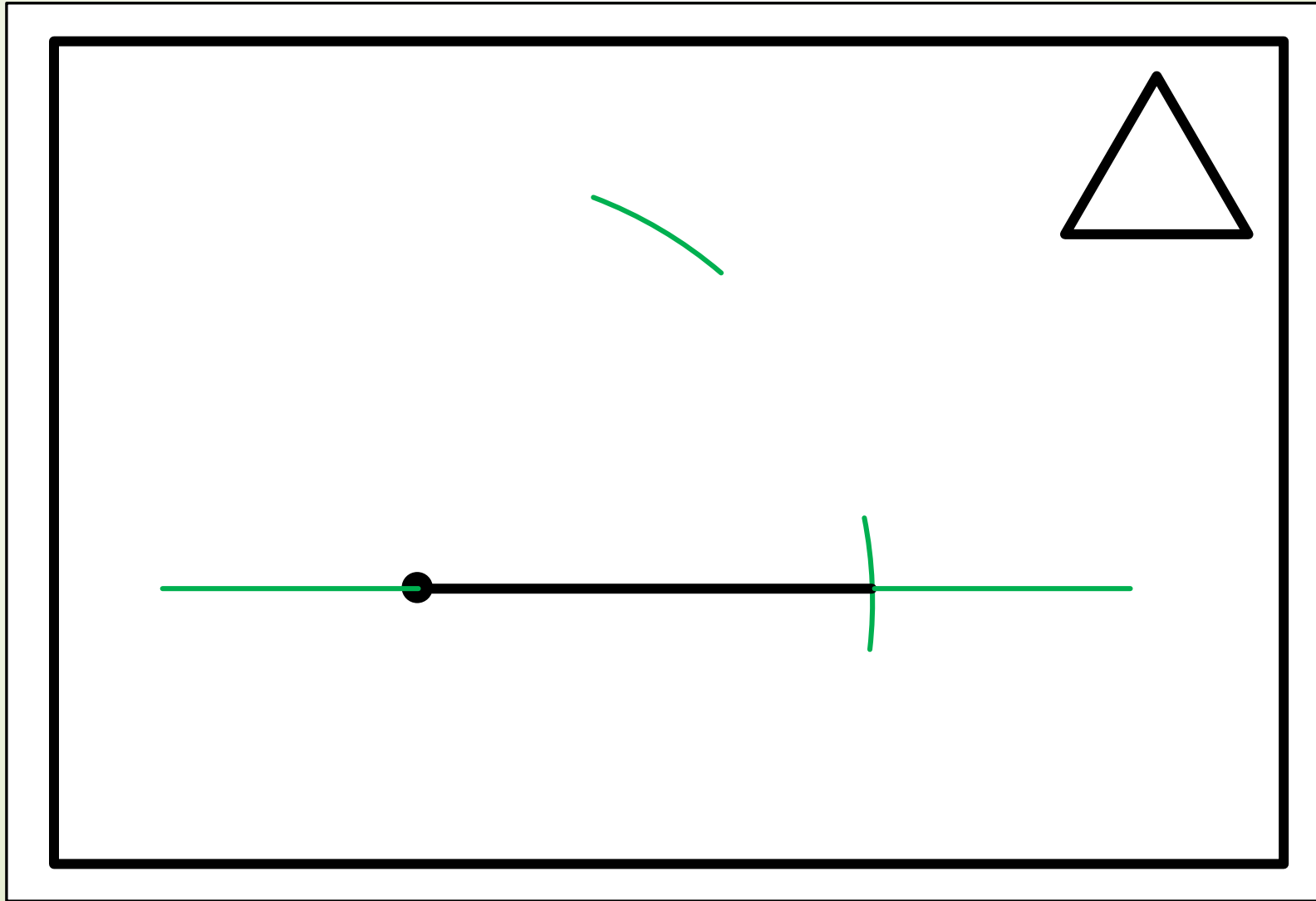
Constructing polygons

- By means of a compass construct a **triangle**



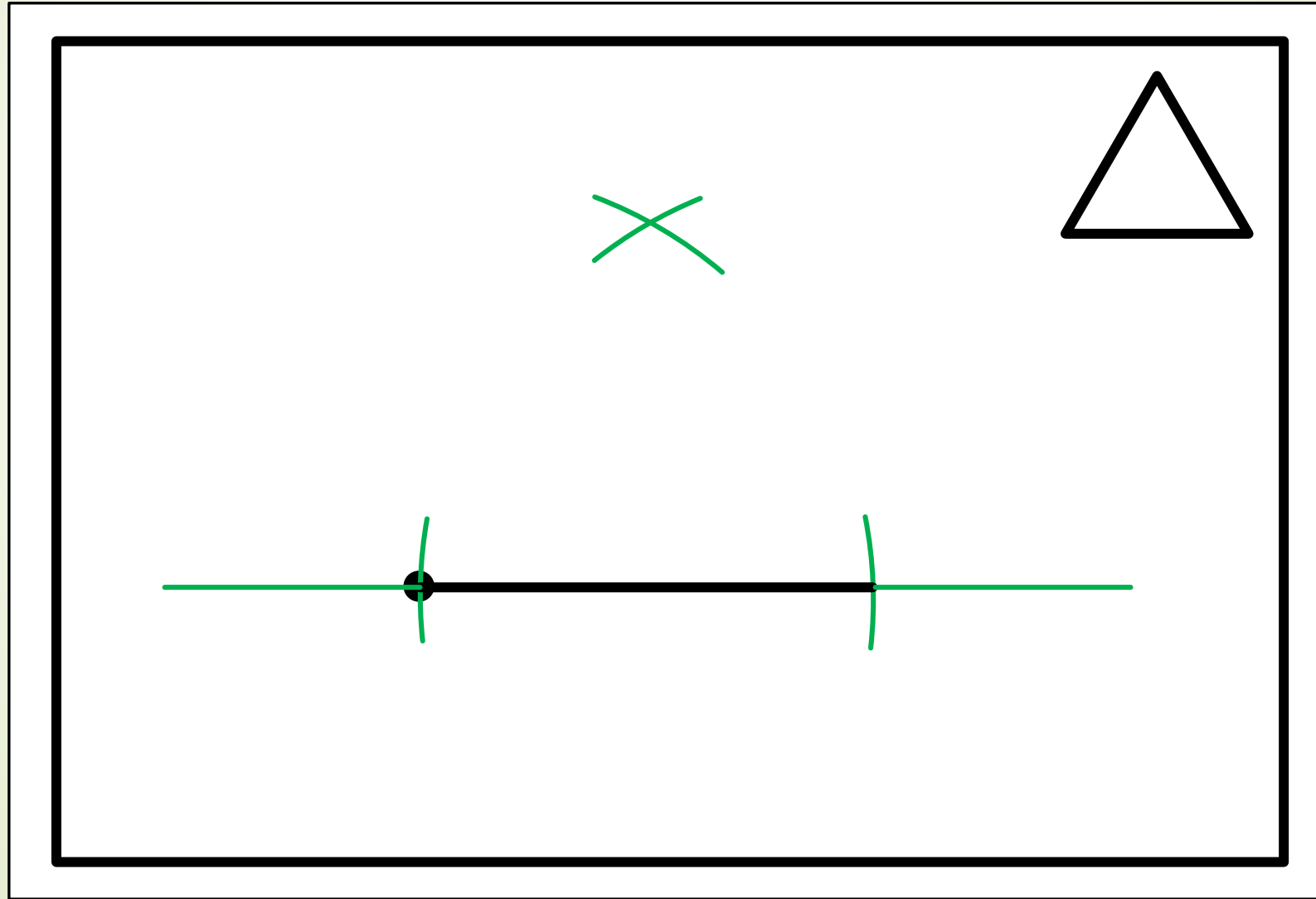
Constructing polygons

- By means of a compass construct a **triangle**



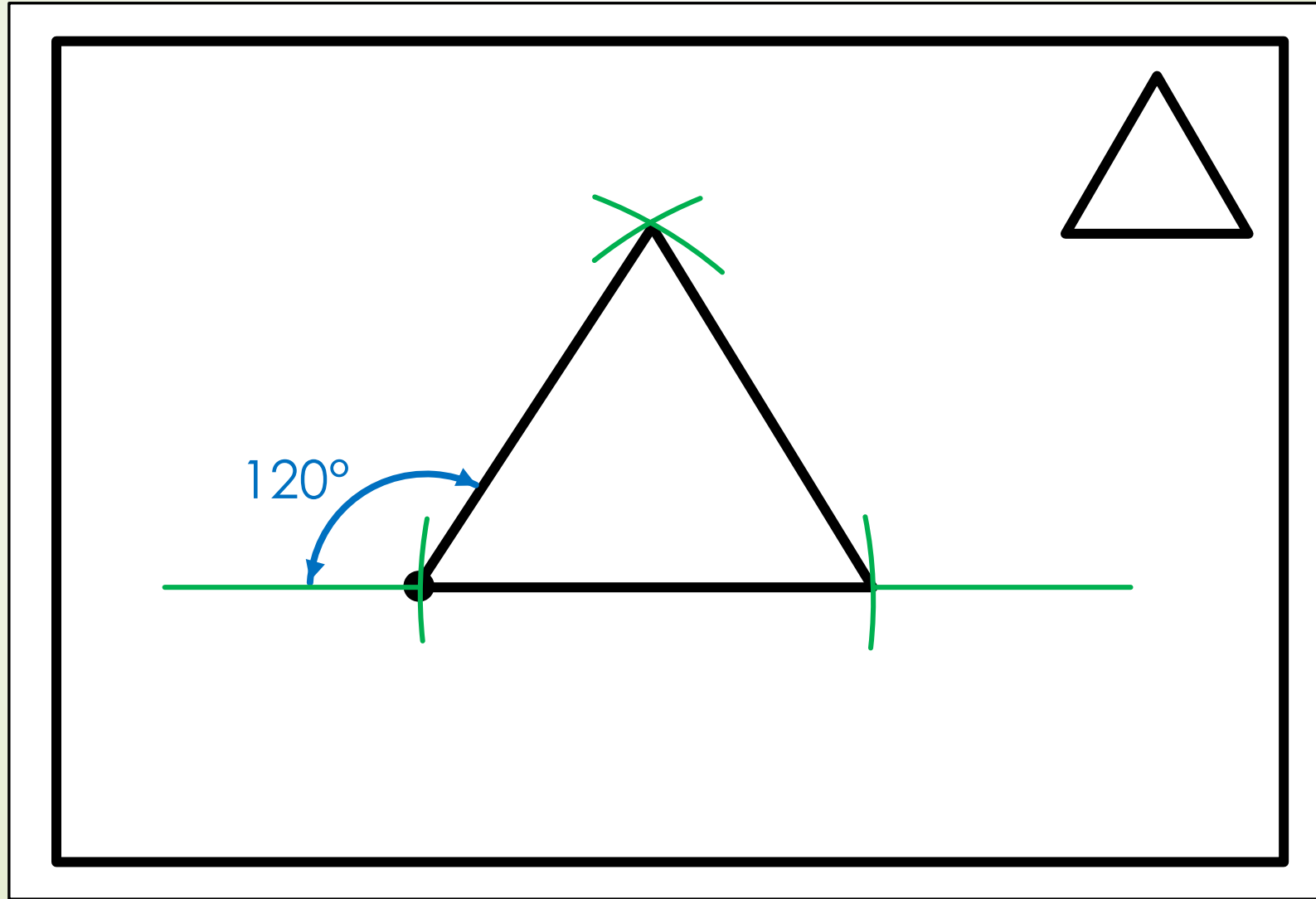
Constructing polygons

- By means of a compass construct a **triangle**



Constructing polygons

- By means of a compass construct a **triangle**



Constructing polygons

Task 1.8.1

- Set up an A3 drawing sheet with a border and a title block.
- **Question: Construct an equilateral triangle ABC with 50 mm side lengths.**
- Show all construction lines.
- Name this task 1.8.1