



# Constructing polygons

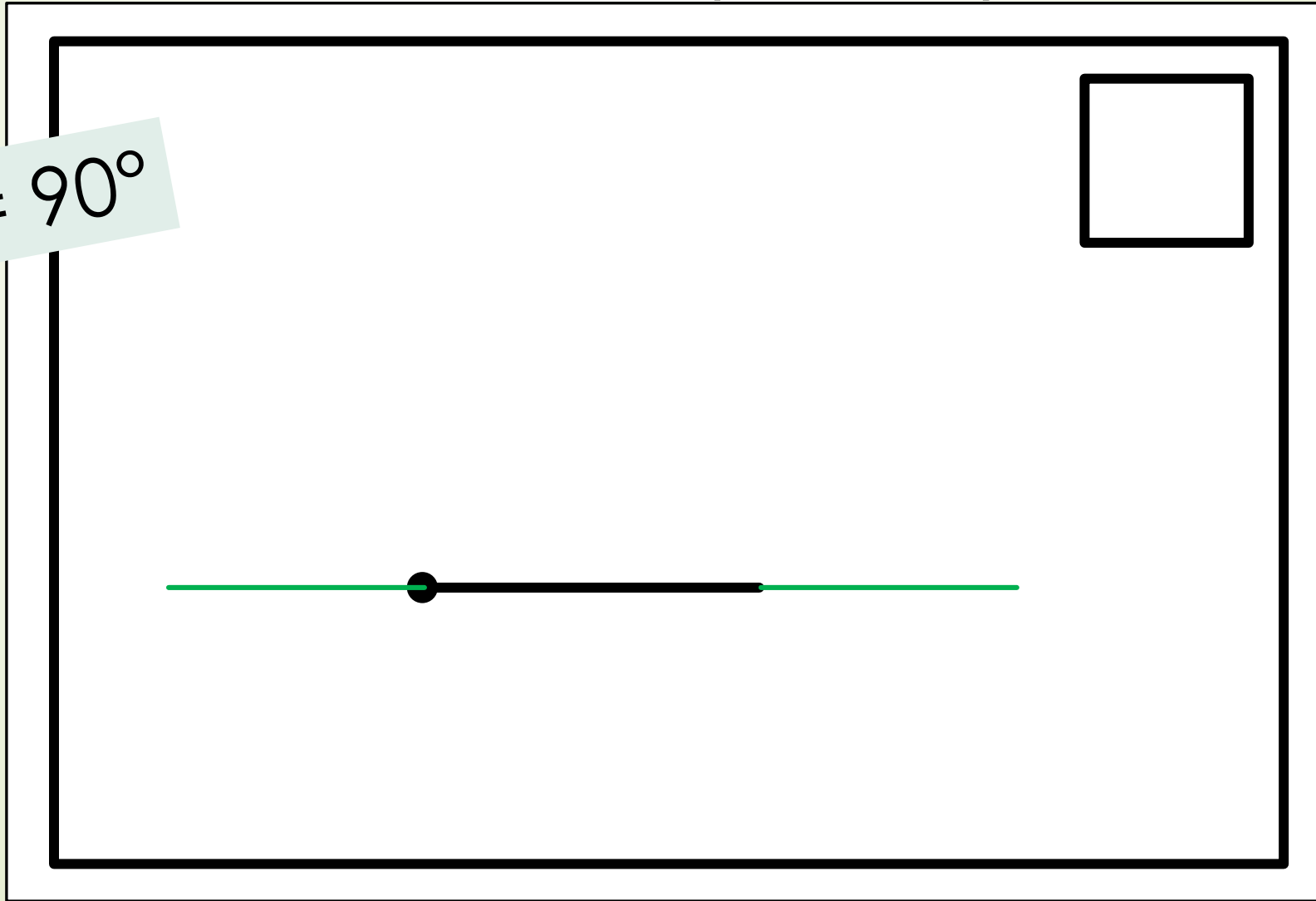
## Square

Developed by: PC Viljoen  
Senior Educational Specialist for  
Engineering Graphics and Design  
Free State Province

# Constructing polygons

- ➔ Construct a **square** (4 sides)

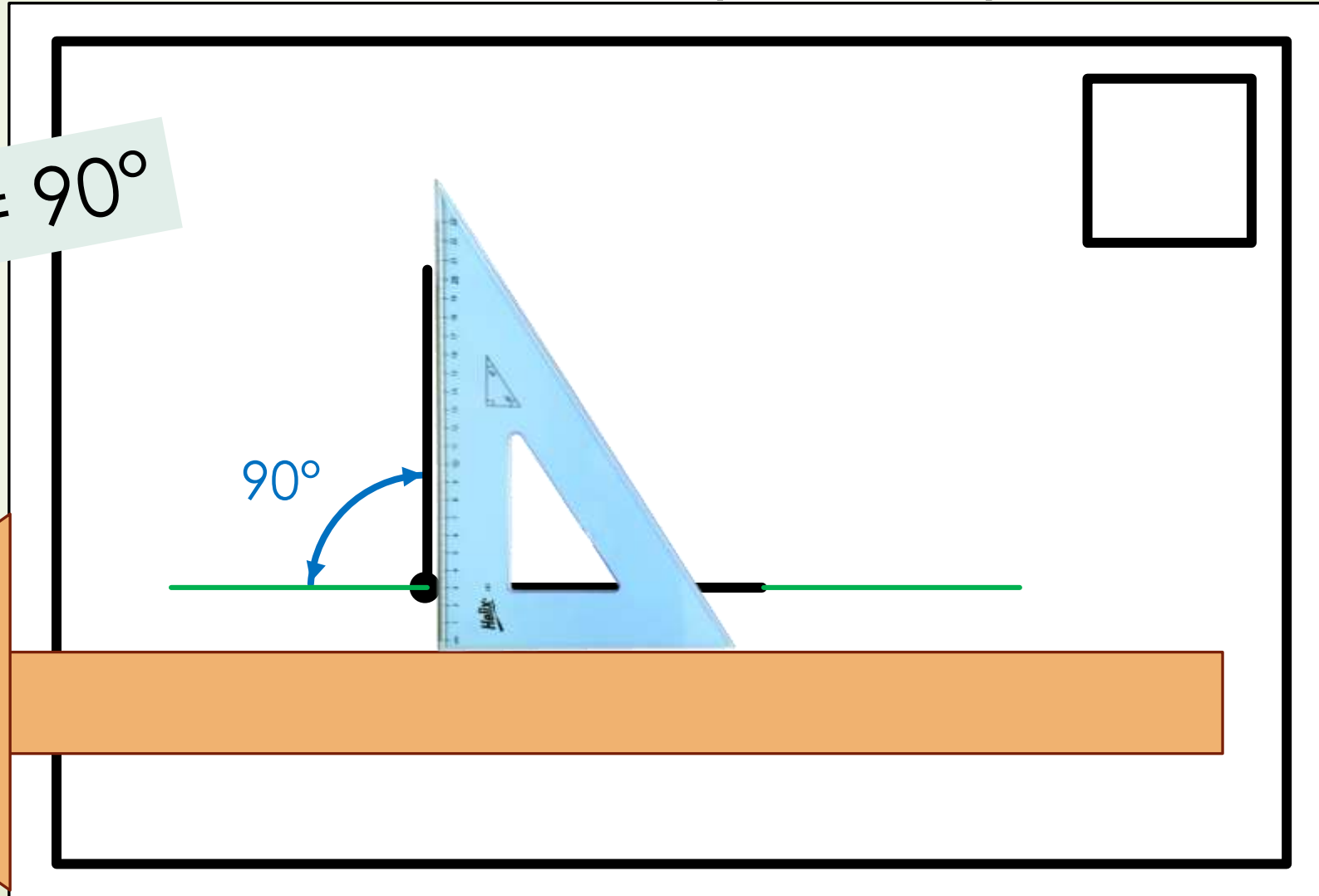
$$360^\circ \div 4 = 90^\circ$$



# Constructing polygons

- ➔ Construct a **square** (4 sides)

$$360^\circ \div 4 = 90^\circ$$



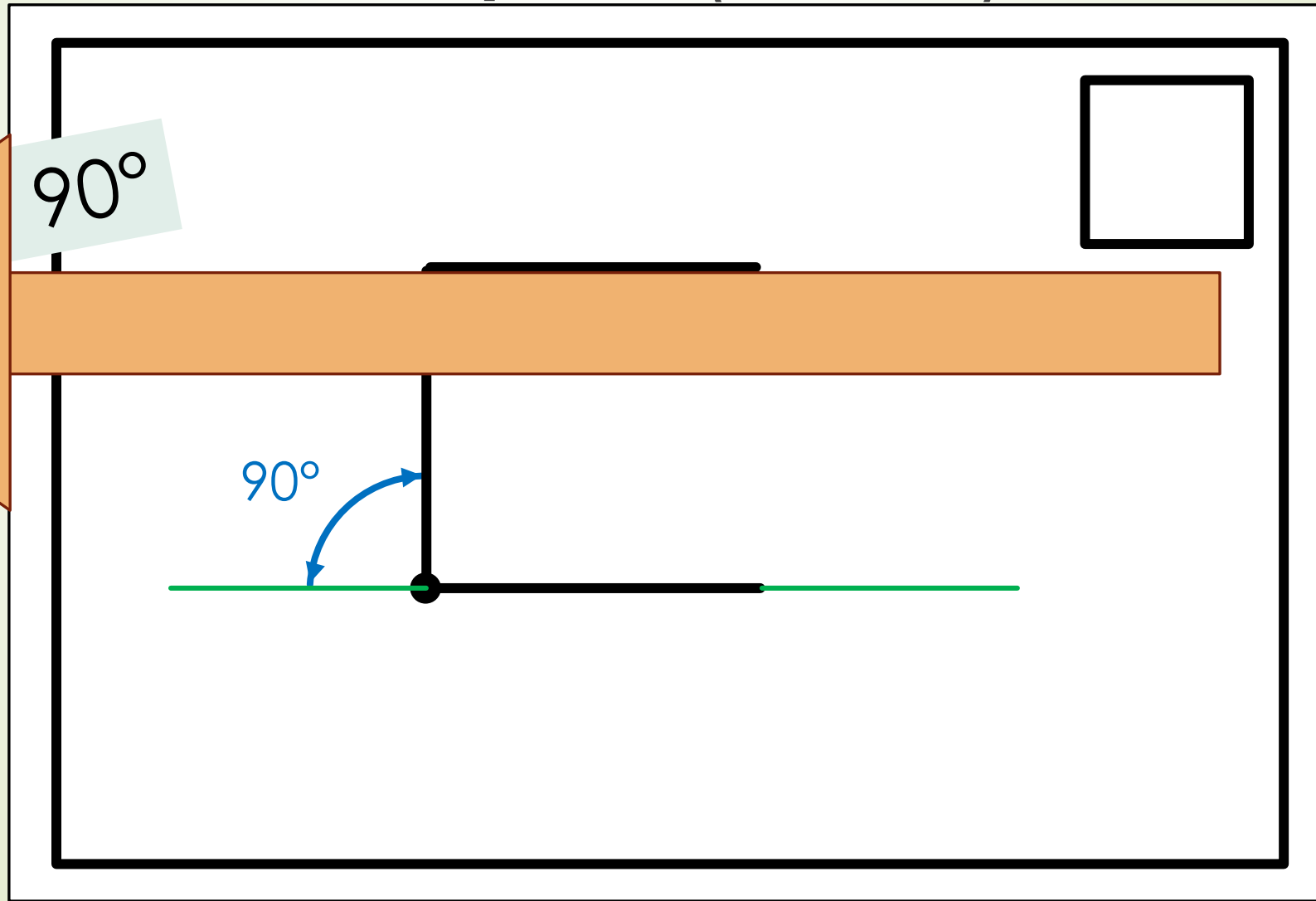
# Constructing polygons

- ➔ Construct a **square** (4 sides)

$$360^\circ \div 4$$

90°

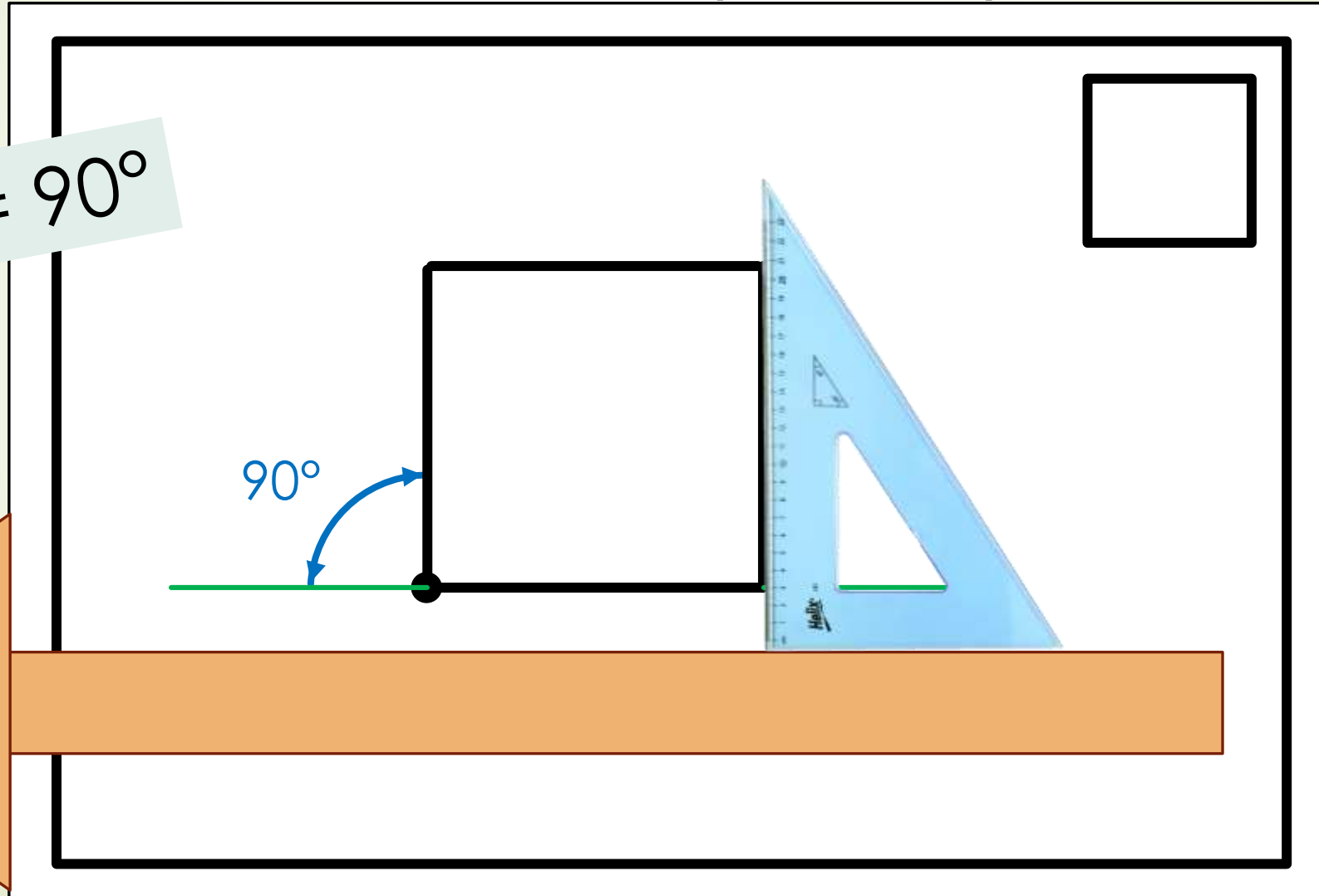
90°



# Constructing polygons

- ➔ Construct a **square** (4 sides)

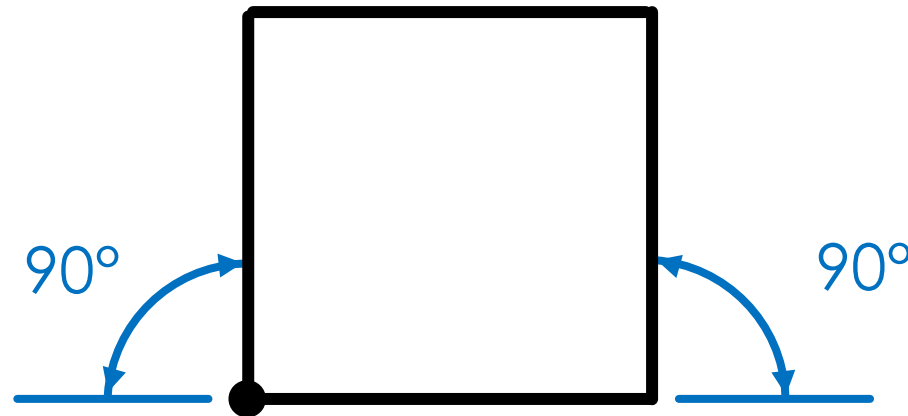
$$360^\circ \div 4 = 90^\circ$$



# Constructing polygons

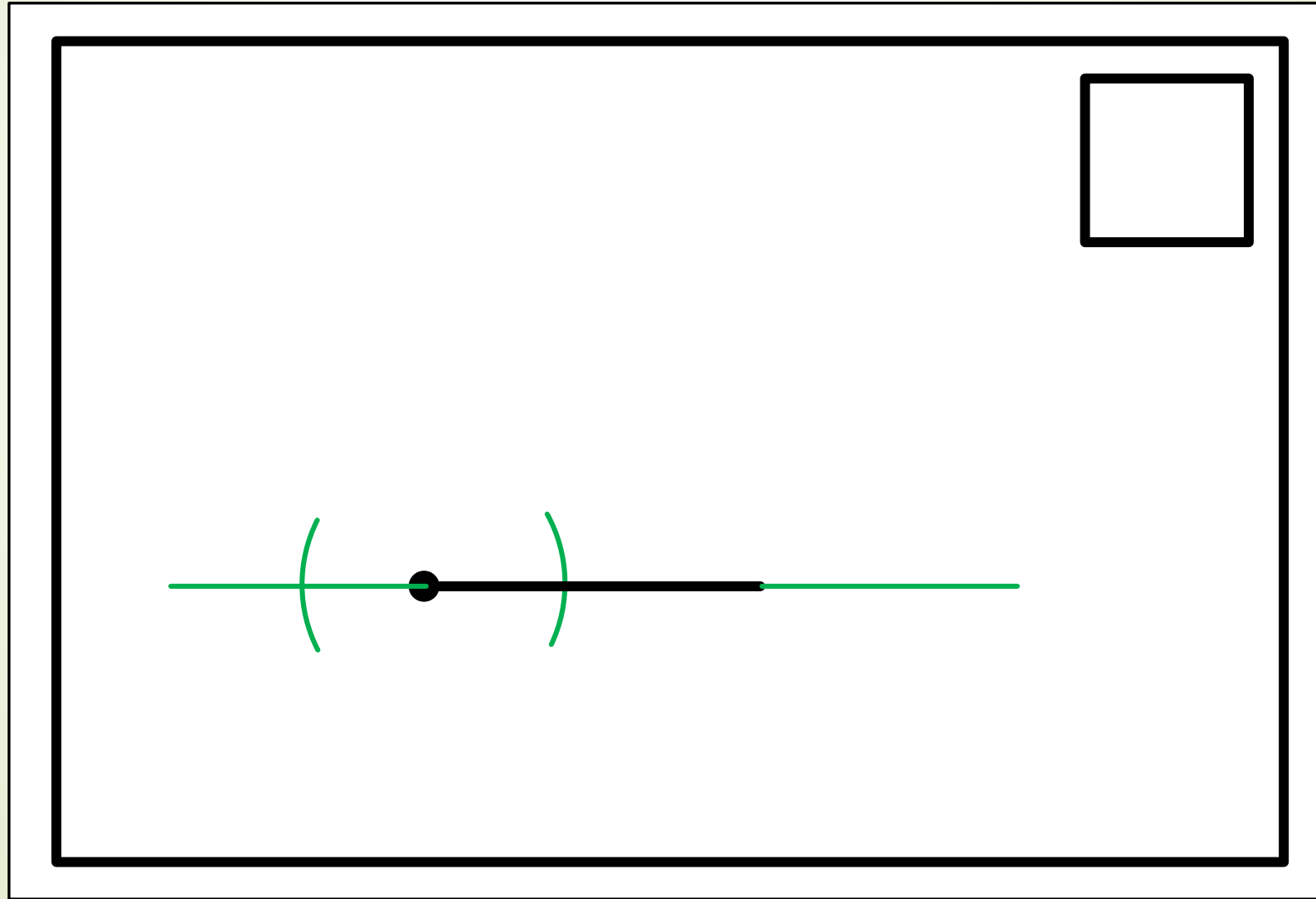
- ➔ Construct a **square** (4 sides)

$$360^\circ \div 4 = 90^\circ$$



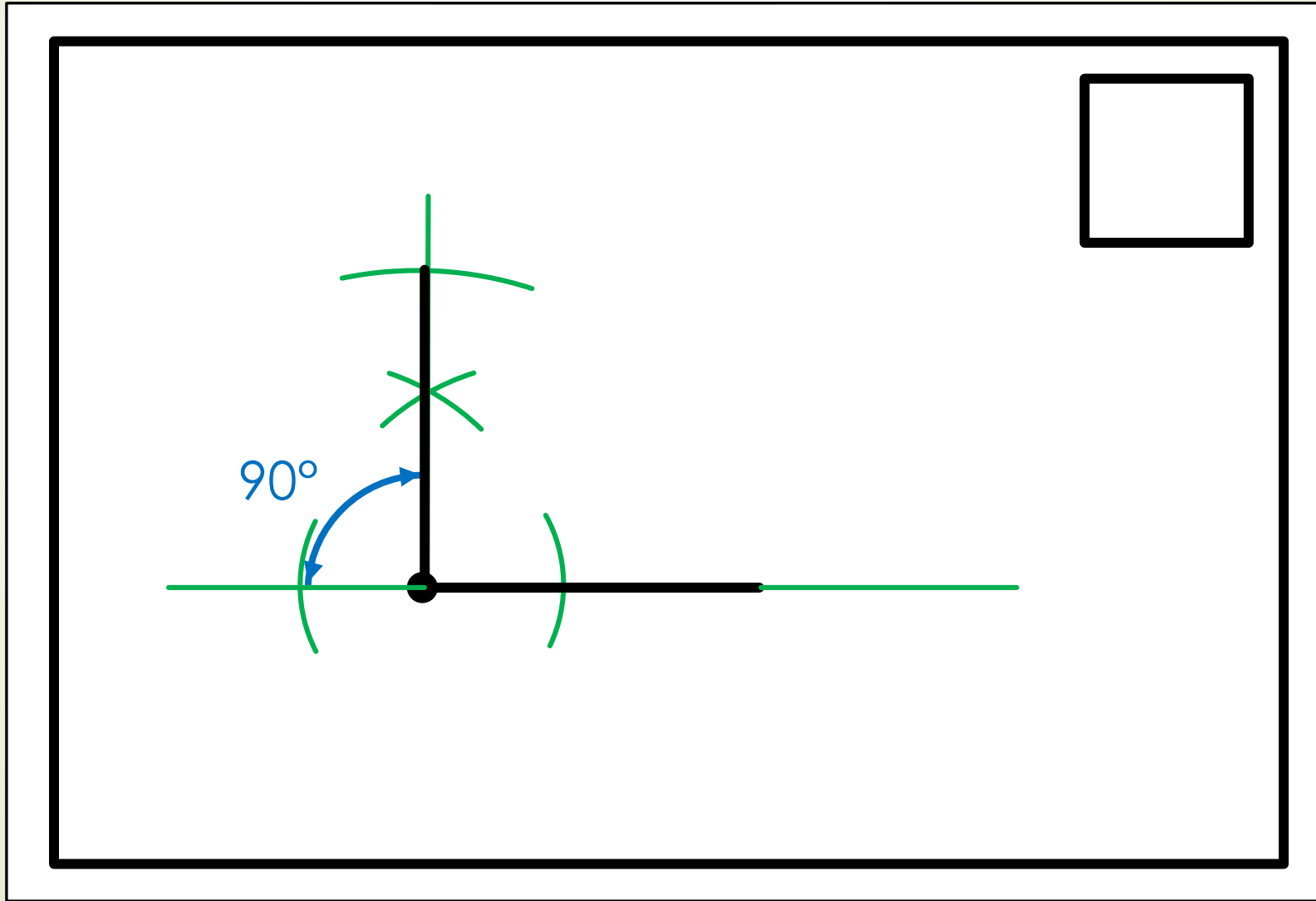
# Constructing polygons

- By means of a compass construct a **square**



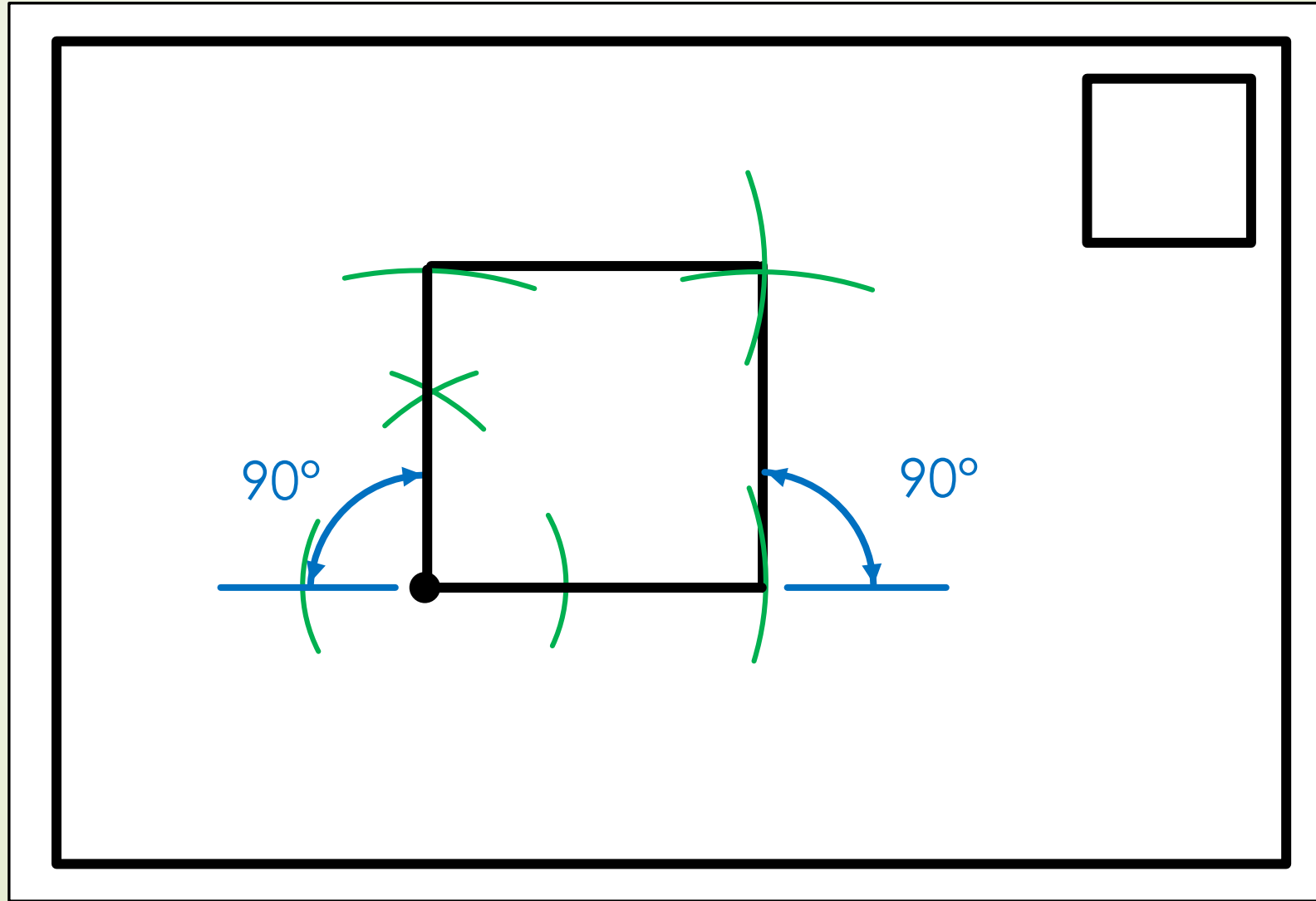
# Constructing polygons

- By means of a compass construct a **square**



# Constructing polygons

- By means of a compass construct a **square**



# Constructing polygons

## Task 1.8.2

- On the prepared A3 drawing sheet (Task 1.8.1), draw the following:
- **Question: Construct a square ABCD with 45 mm side lengths.**
- Show all construction lines.
- Name this task 1.8.2