



# Constructing polygons

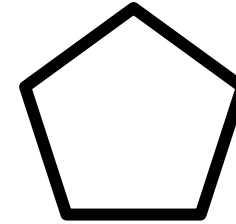
## Pentagon

Developed by: PC Viljoen  
Senior Educational Specialist for  
Engineering Graphics and Design  
Free State Province

# Constructing polygons

- ➔ Construct a **pentagon** (5 sides)

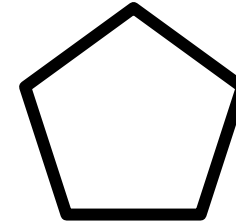
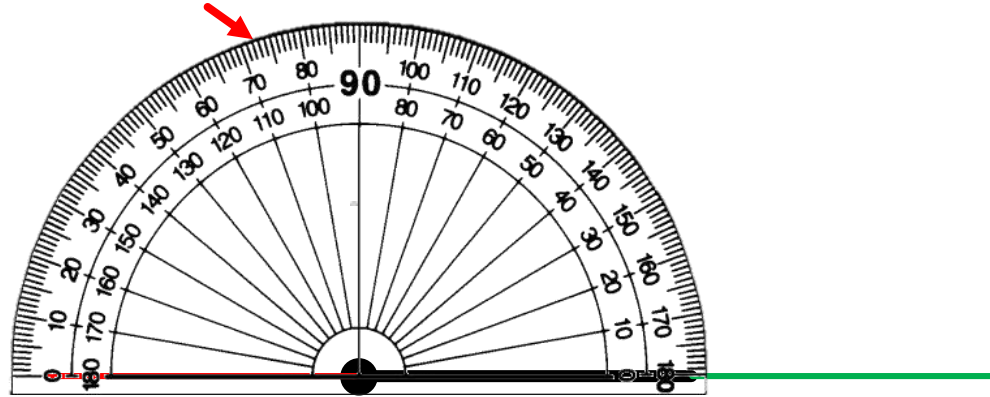
$$360^\circ \div 5 = 72^\circ$$



# Constructing polygons

- ➔ Construct a **pentagon** (5 sides)

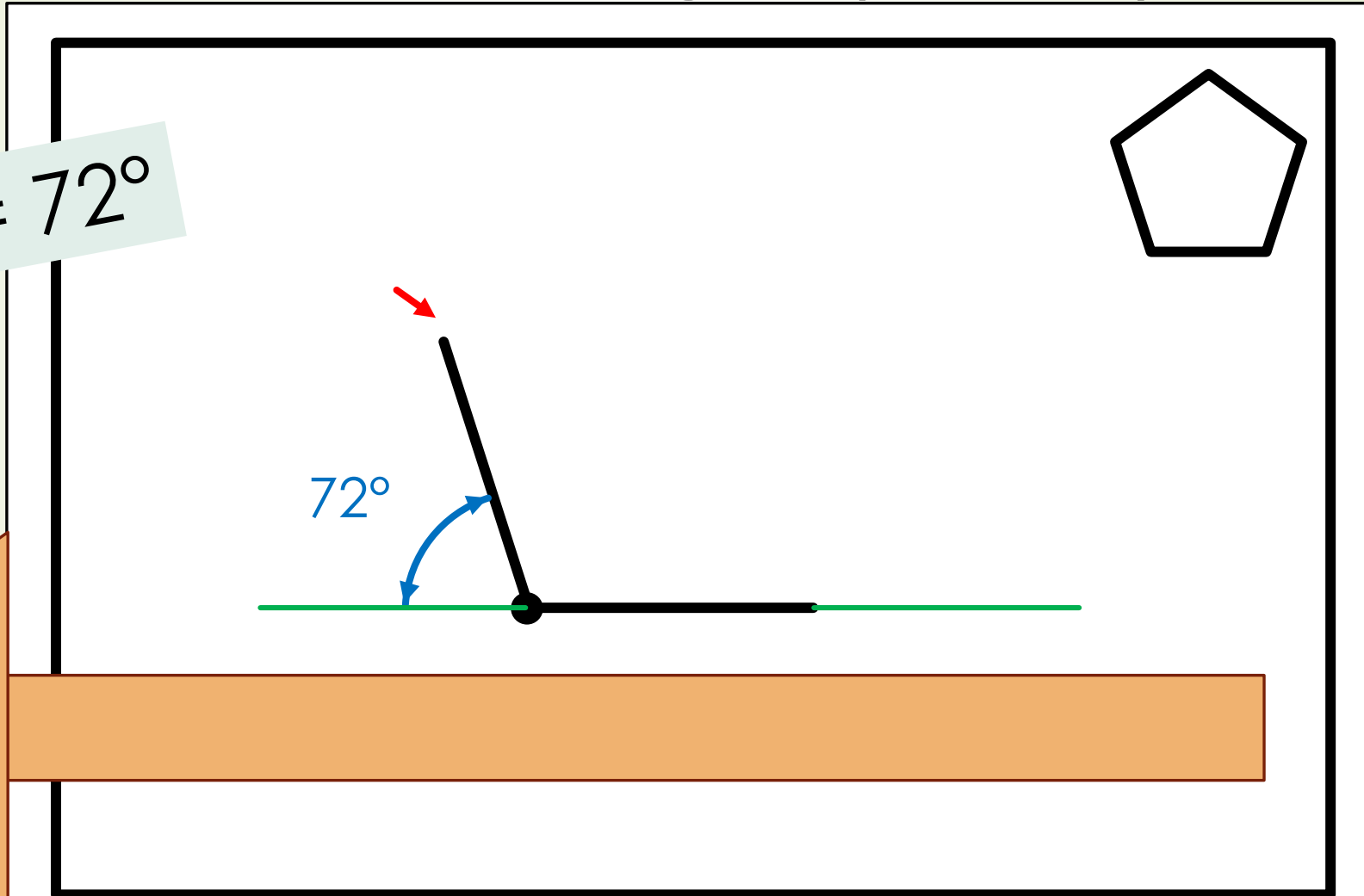
$$360^\circ \div 5 = 72^\circ$$



# Constructing polygons

- ➔ Construct a **pentagon** (5 sides)

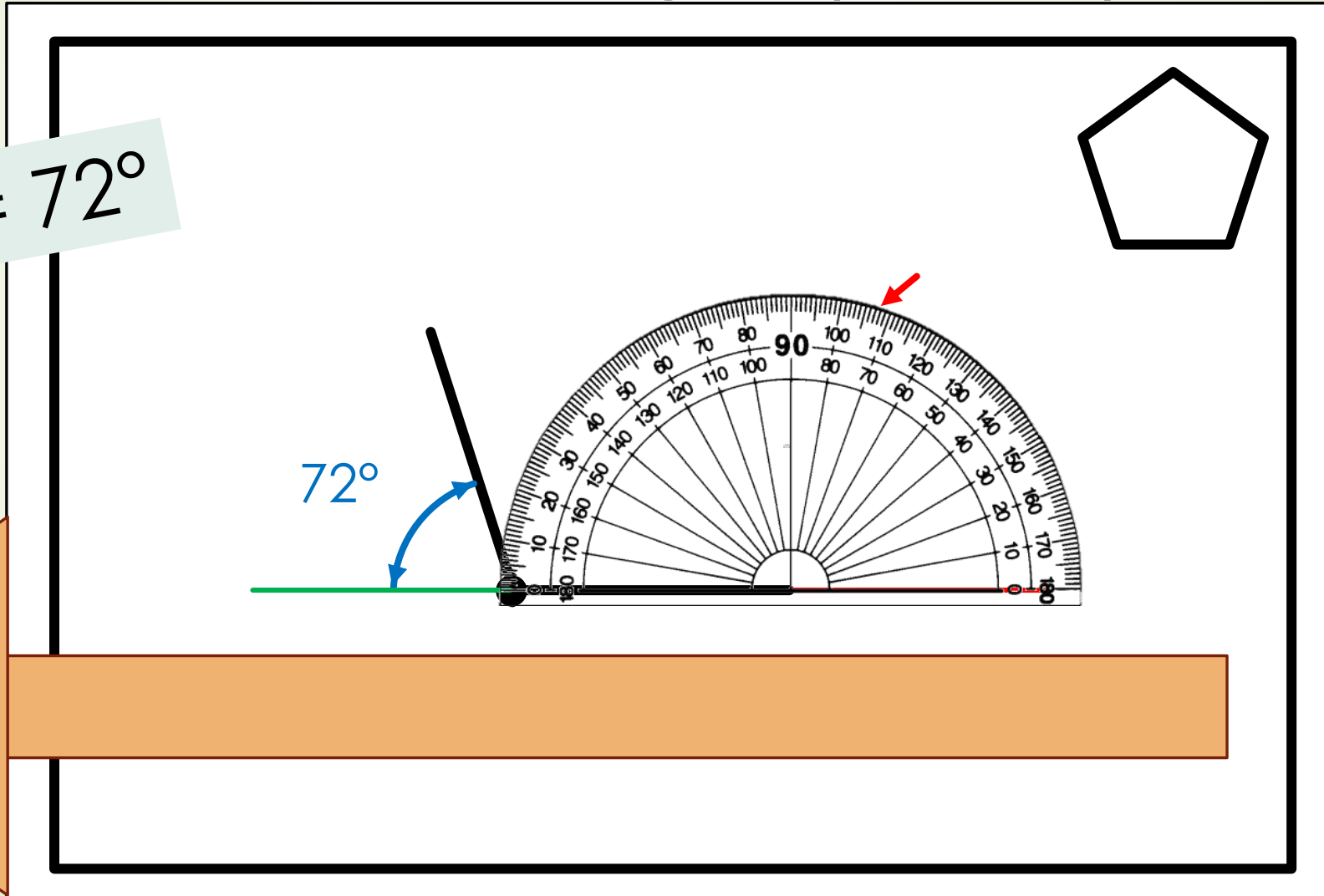
$$360^\circ \div 5 = 72^\circ$$



# Constructing polygons

- ➔ Construct a **pentagon** (5 sides)

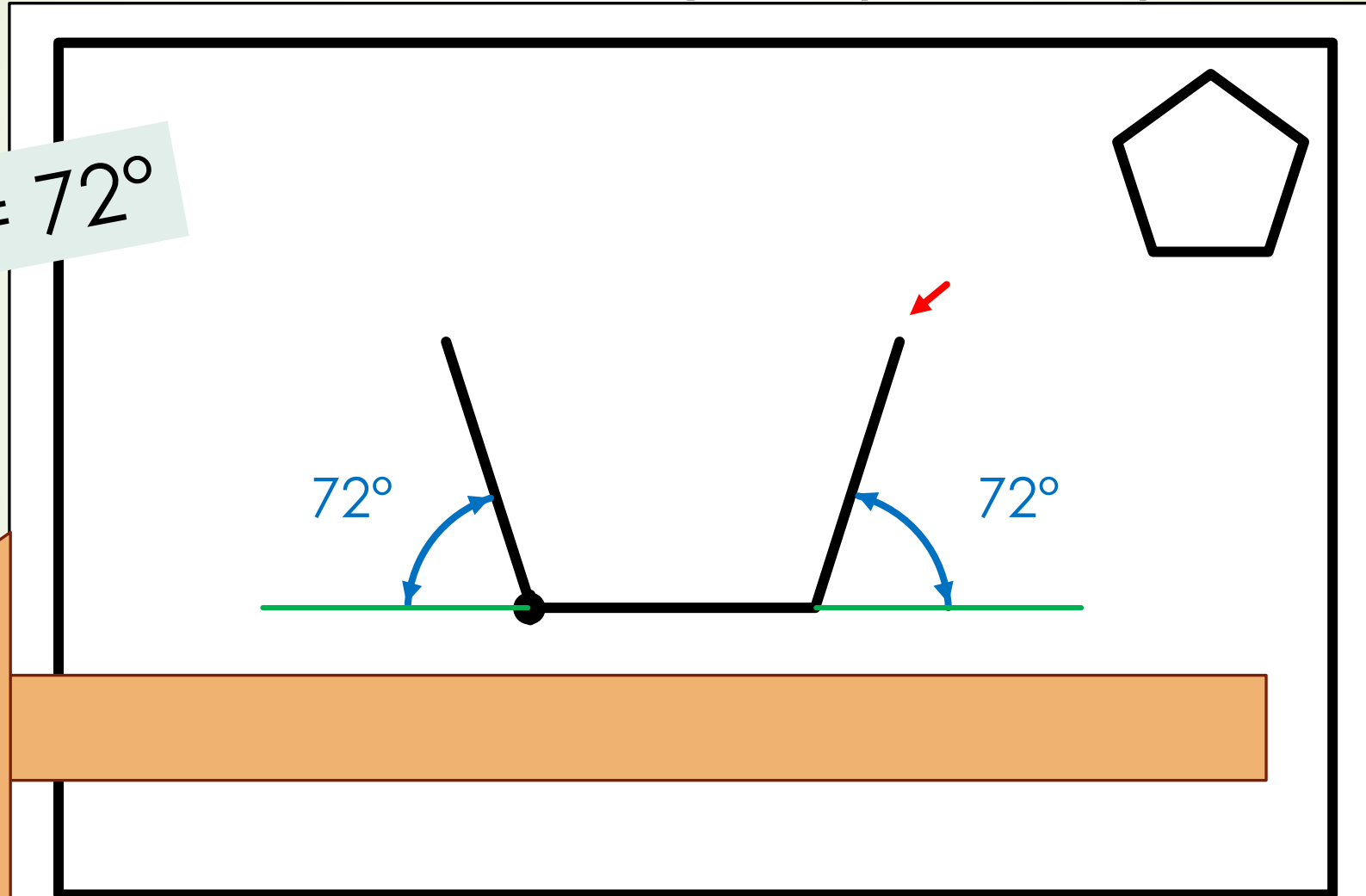
$$360^\circ \div 5 = 72^\circ$$



# Constructing polygons

- ➔ Construct a **pentagon** (5 sides)

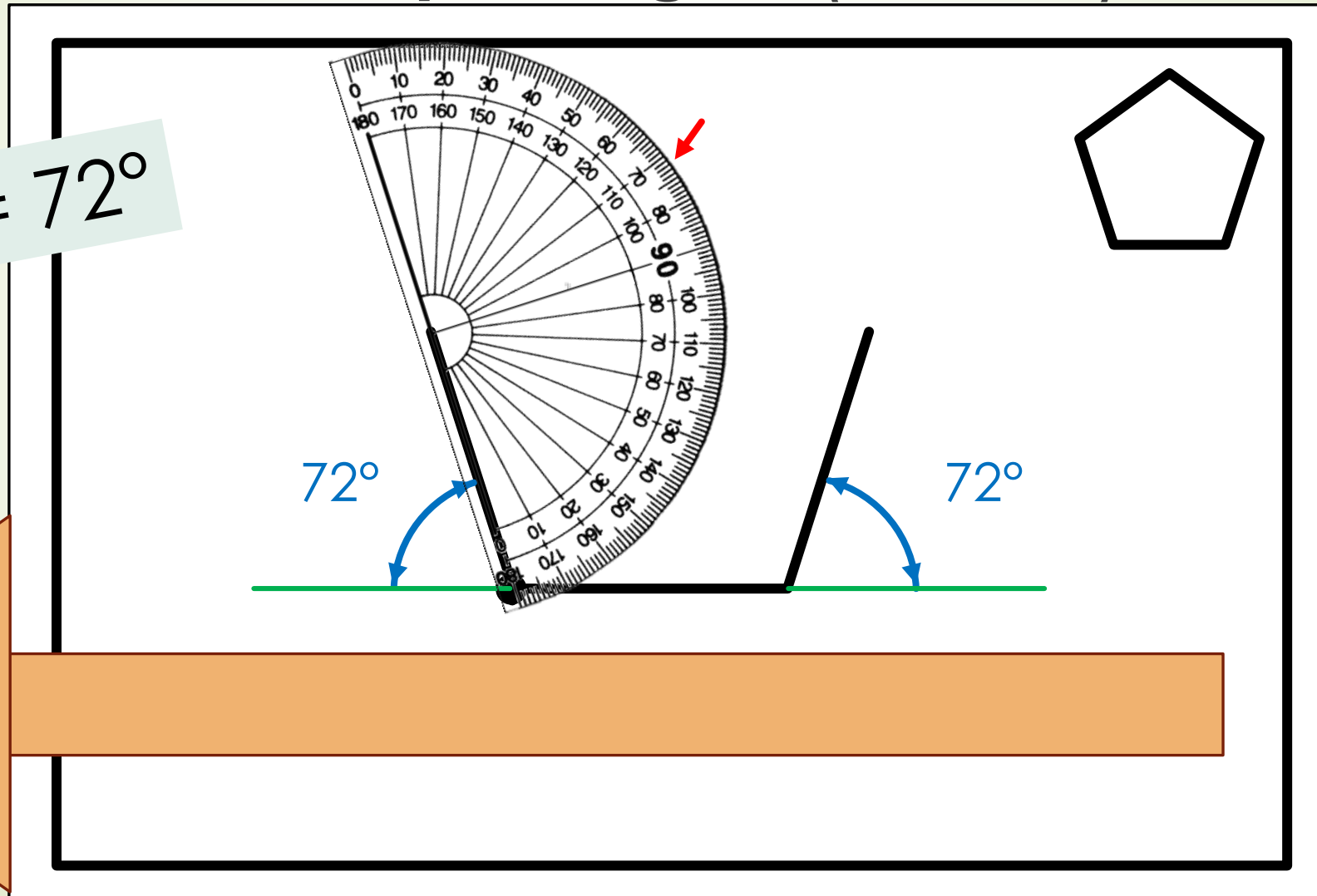
$$360^\circ \div 5 = 72^\circ$$



# Constructing polygons

- ➔ Construct a **pentagon** (5 sides)

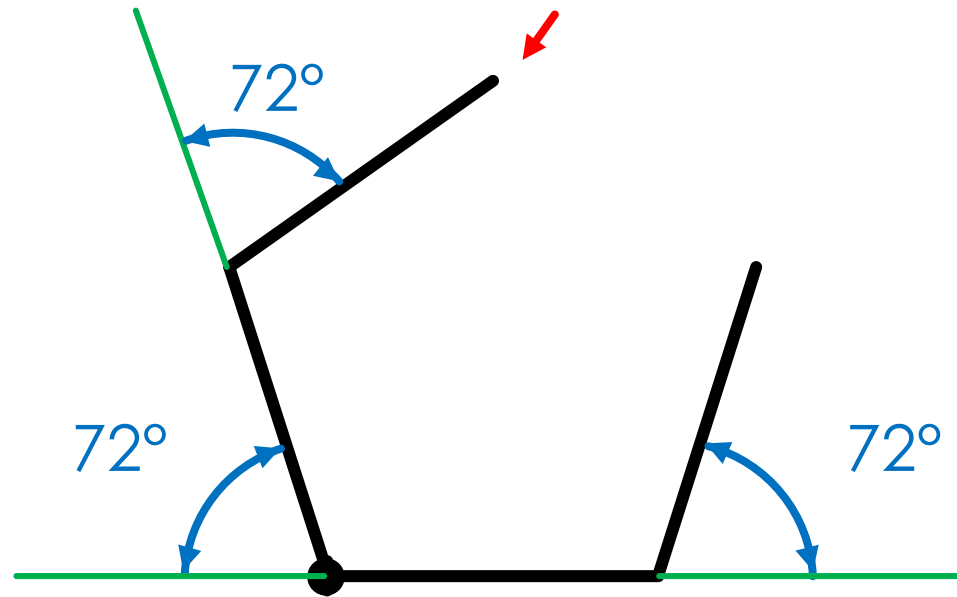
$$360^\circ \div 5 = 72^\circ$$



# Constructing polygons

- ➔ Construct a **pentagon** (5 sides)

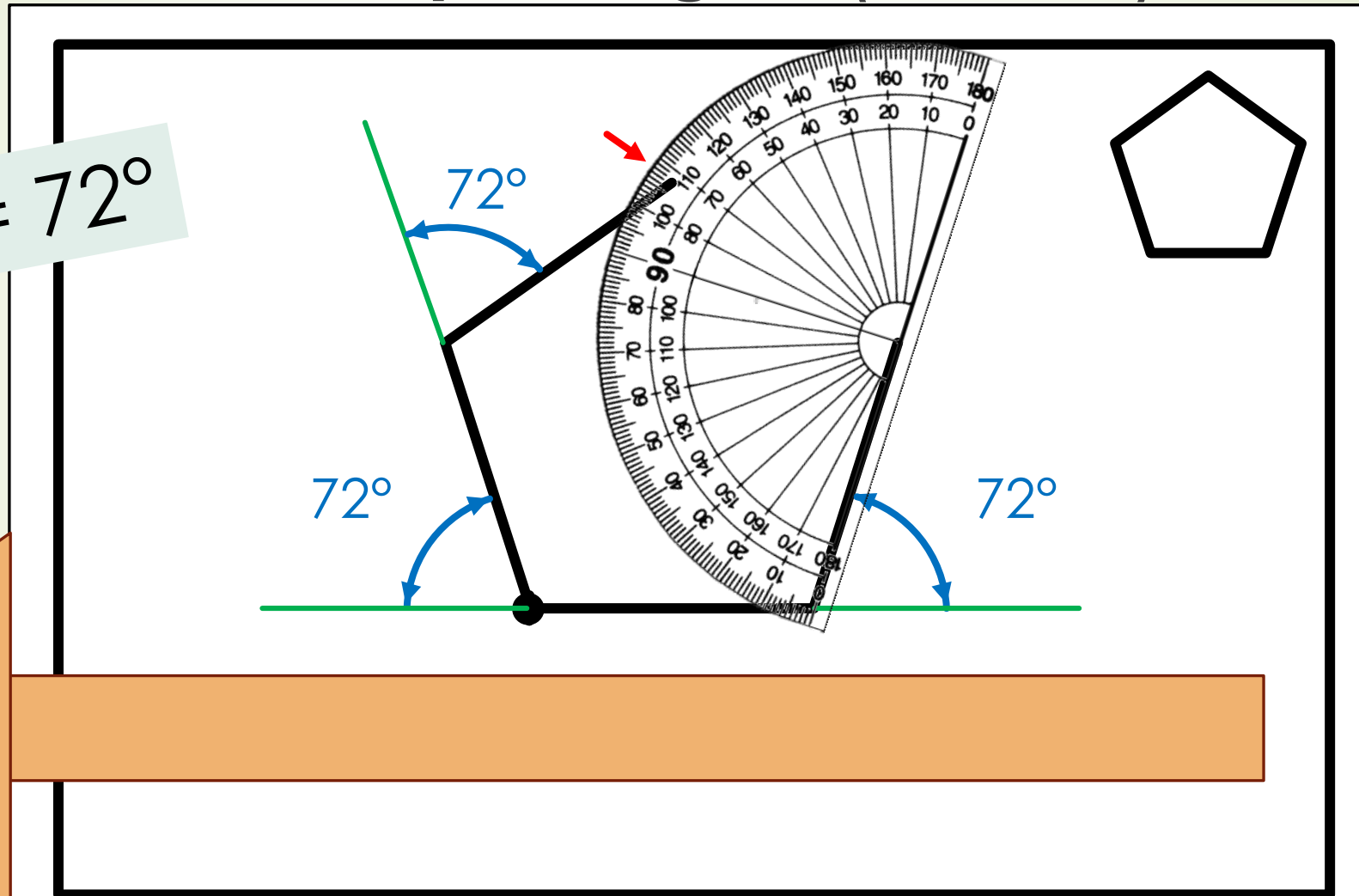
$$360^\circ \div 5 = 72^\circ$$



# Constructing polygons

- Construct a **pentagon** (5 sides)

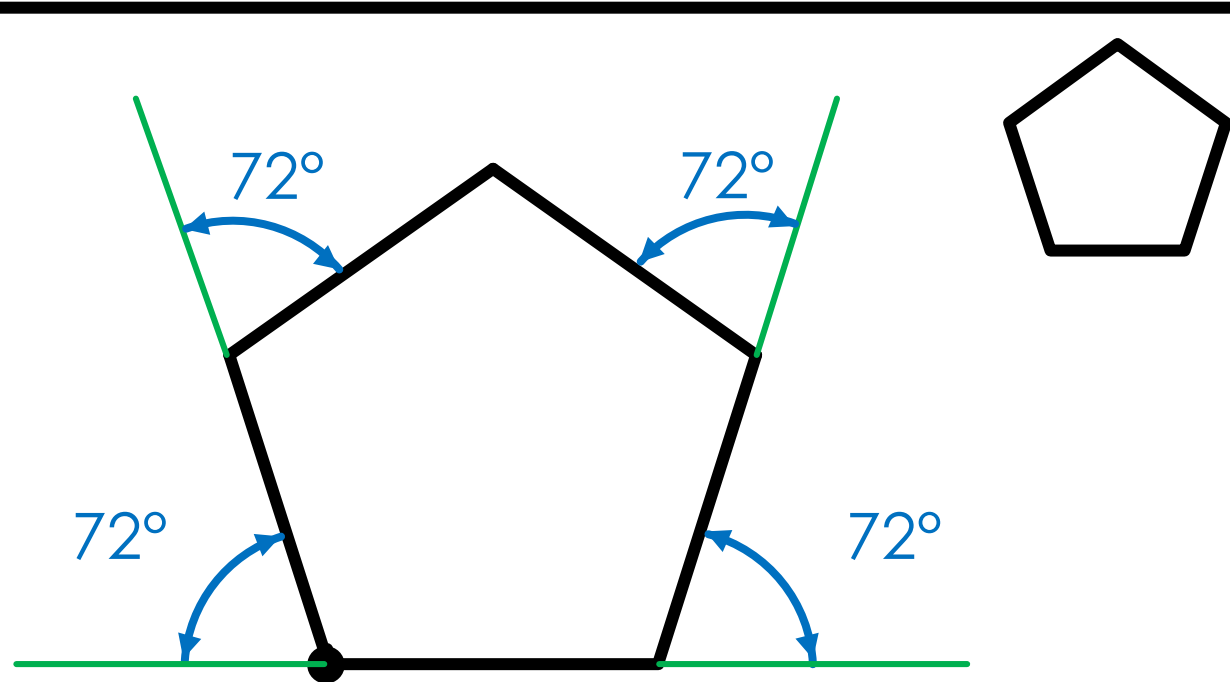
$$360^\circ \div 5 = 72^\circ$$



# Constructing polygons

- Construct a **pentagon** (5 sides)

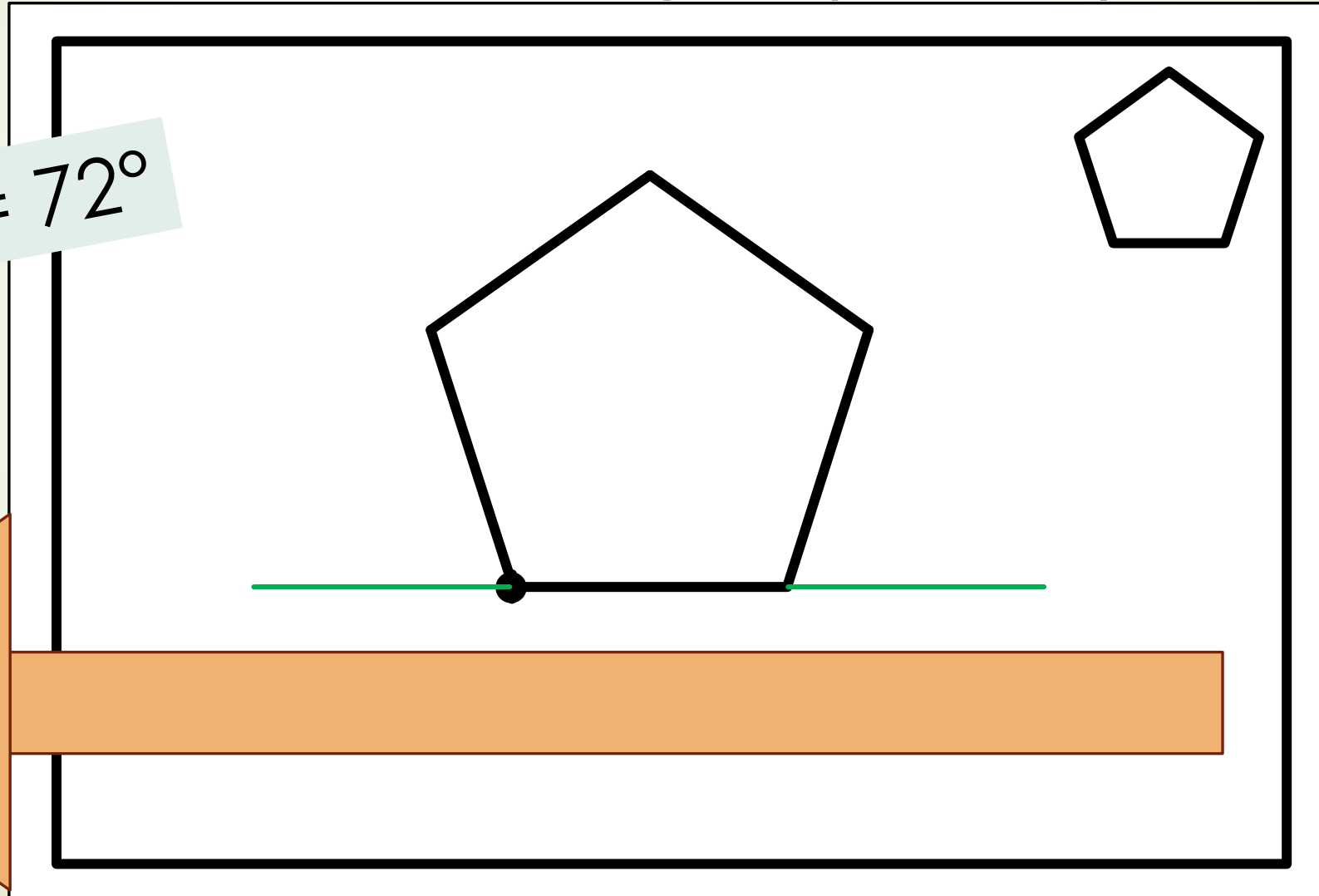
$$360^\circ \div 5 = 72^\circ$$



# Constructing polygons

- ➔ Construct a **pentagon** (5 sides)

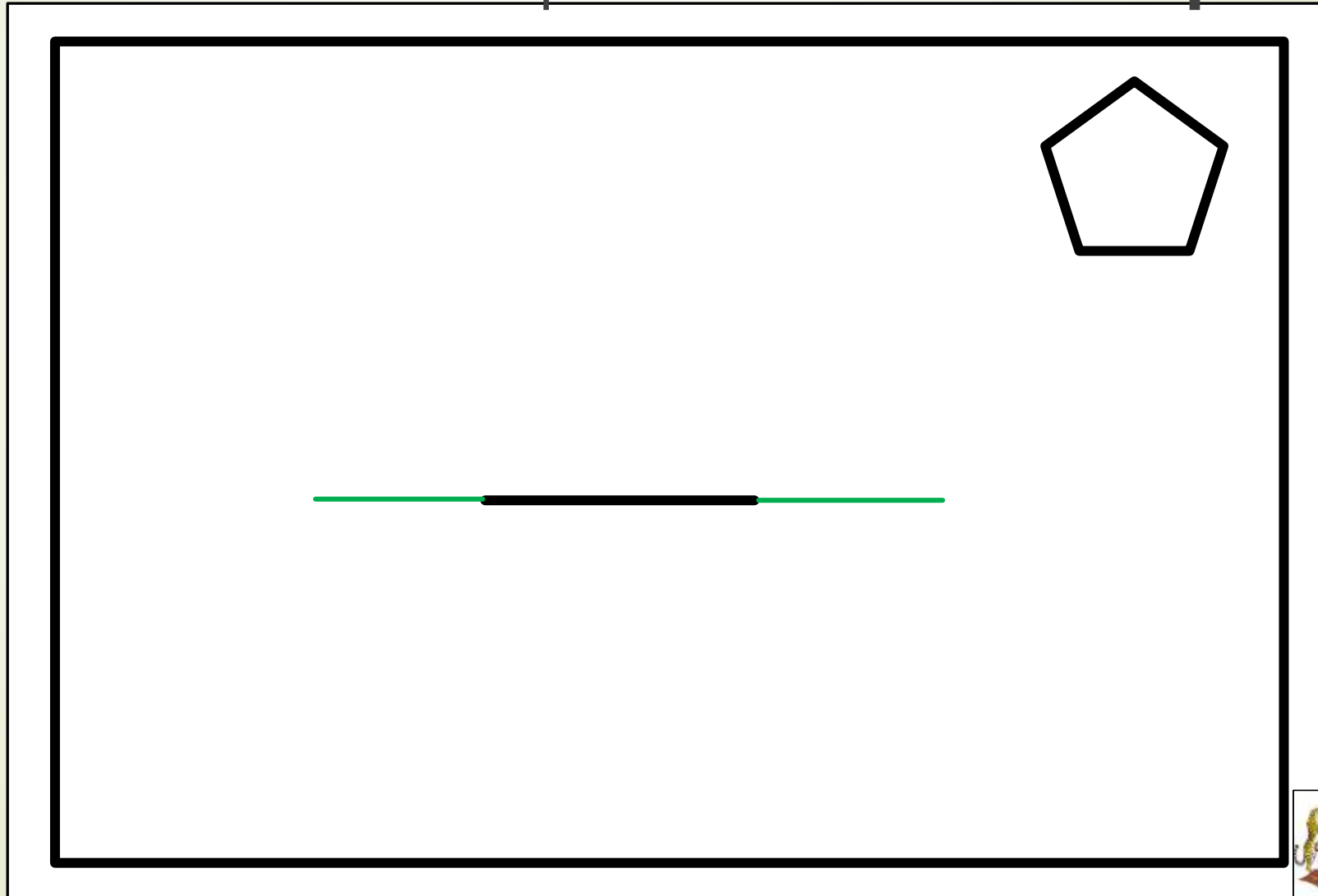
$$360^\circ \div 5 = 72^\circ$$



# Constructing polygons

Method 1

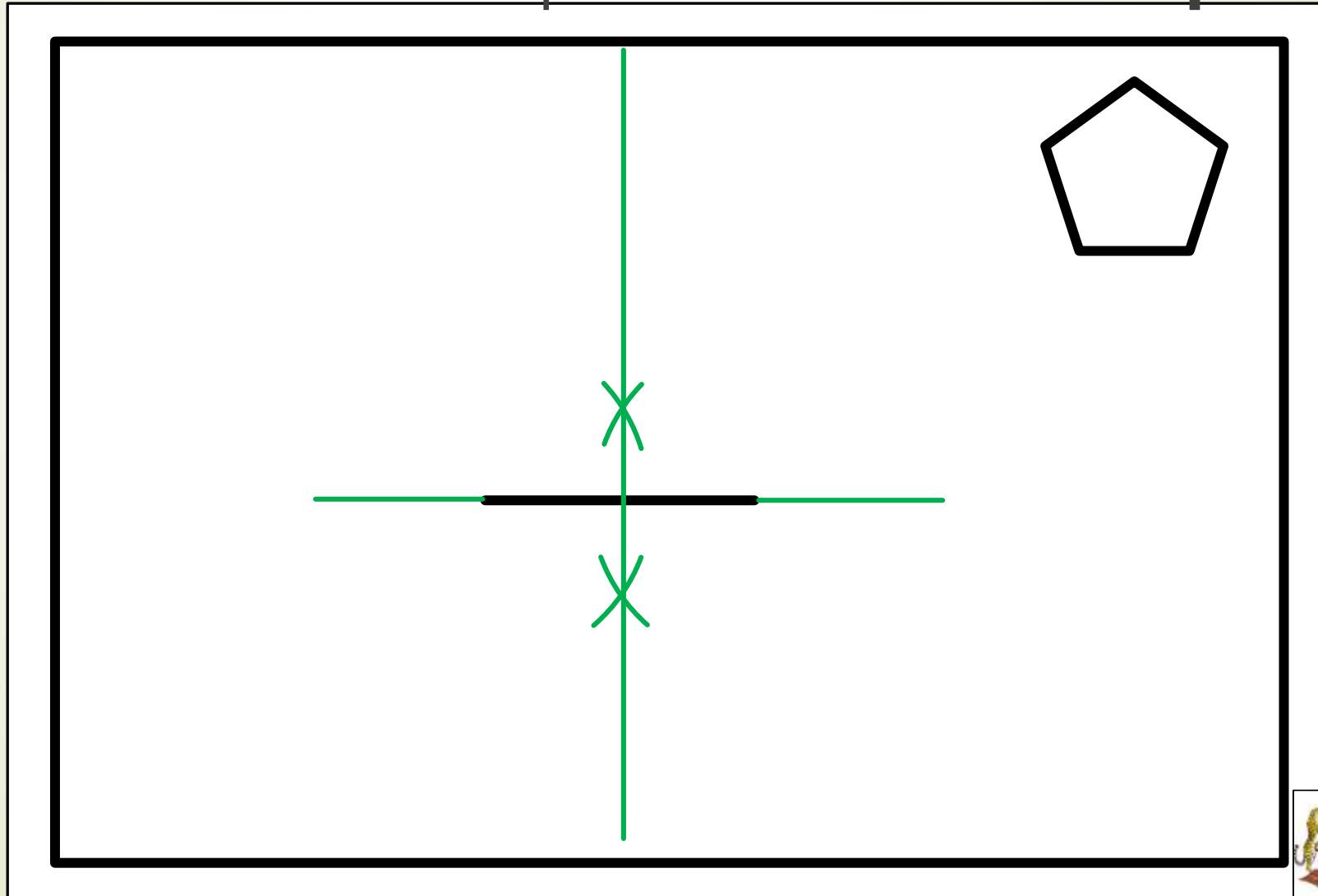
- By means of a compass construct a **pentagon**



# Constructing polygons

Method 1  
Step 1

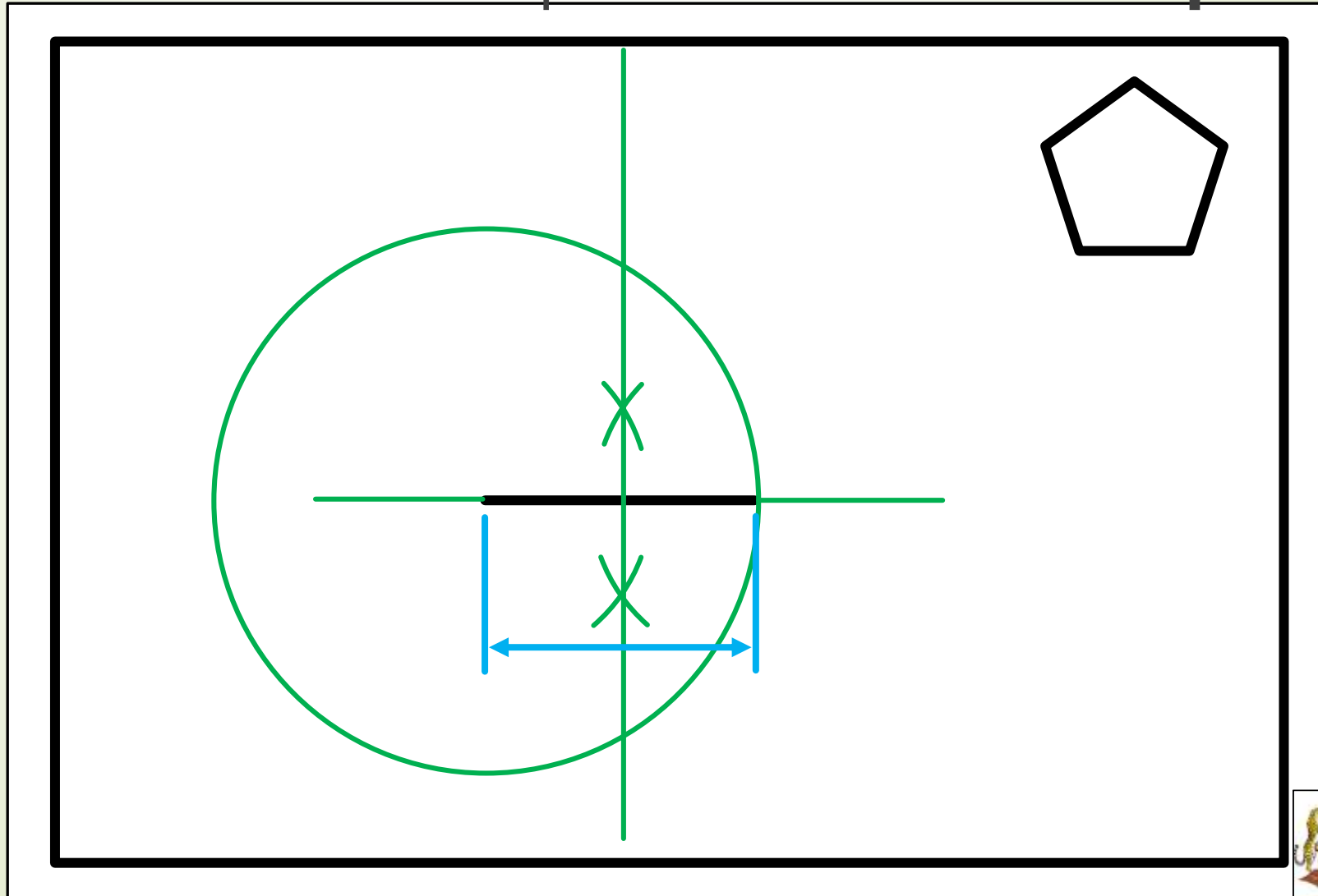
- By means of a compass construct a **pentagon**



# Constructing polygons

Method 1  
Step 2

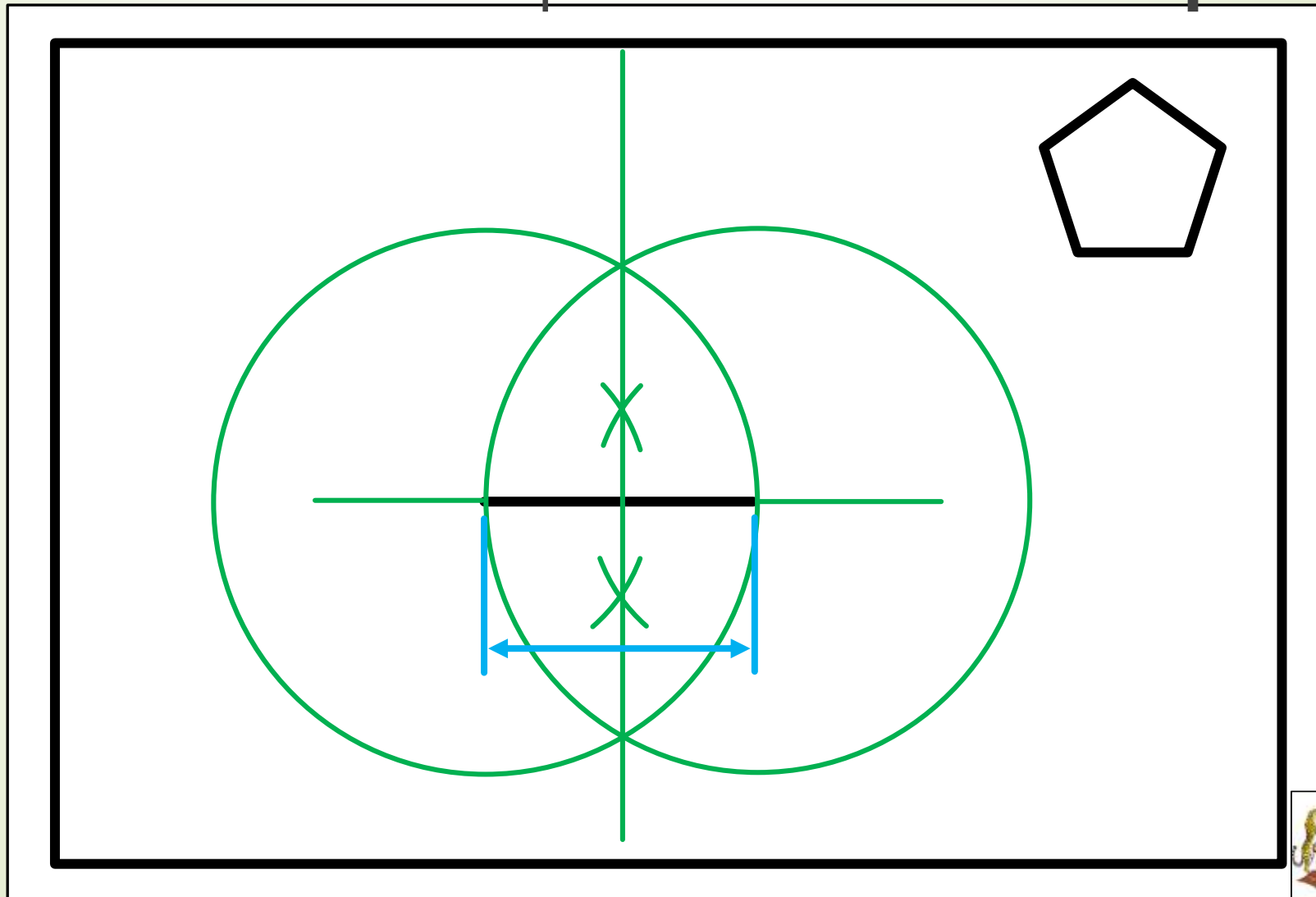
- By means of a compass construct a **pentagon**



# Constructing polygons

Method 1  
Step 3

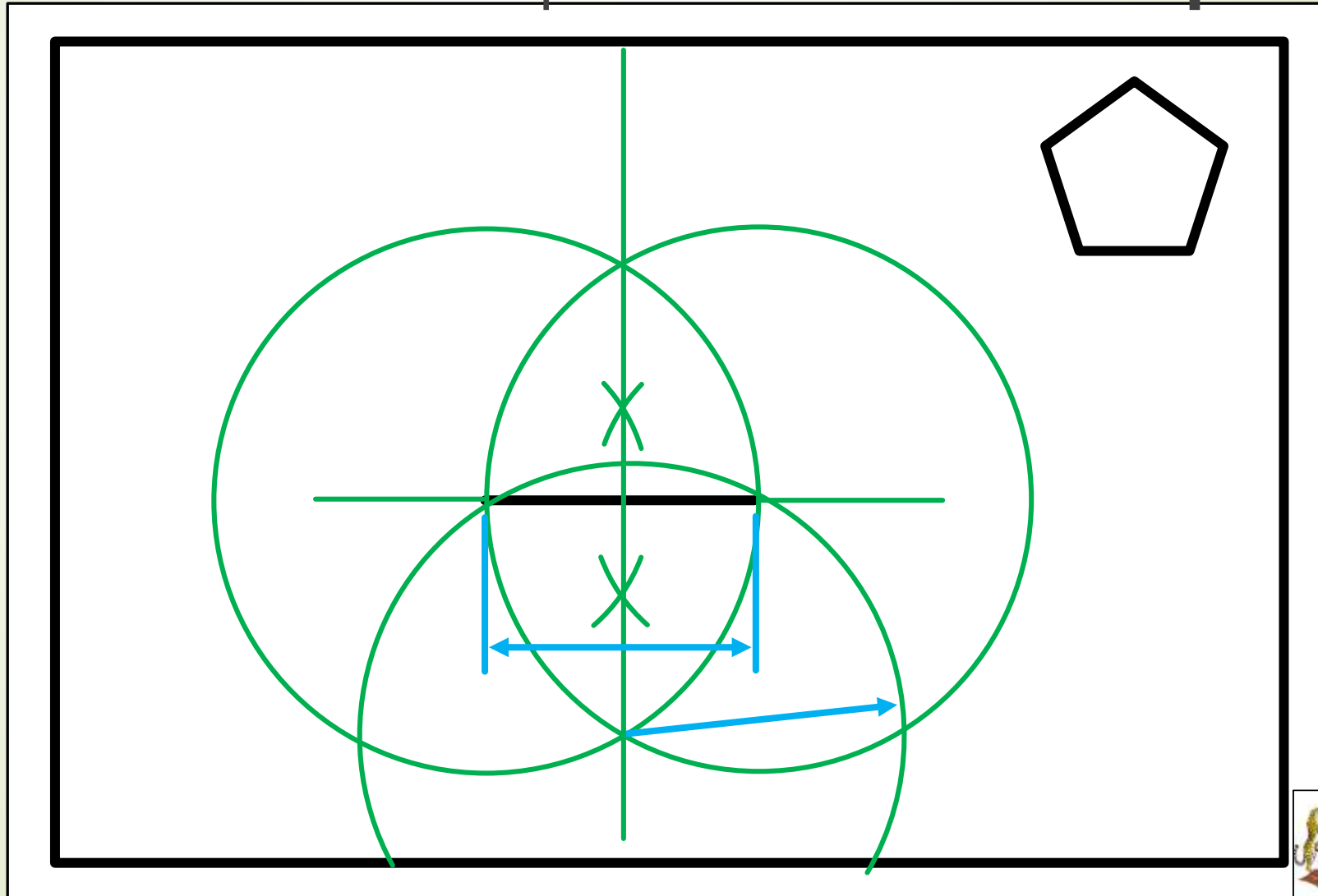
- By means of a compass construct a **pentagon**



# Constructing polygons

Method 1  
Step 4

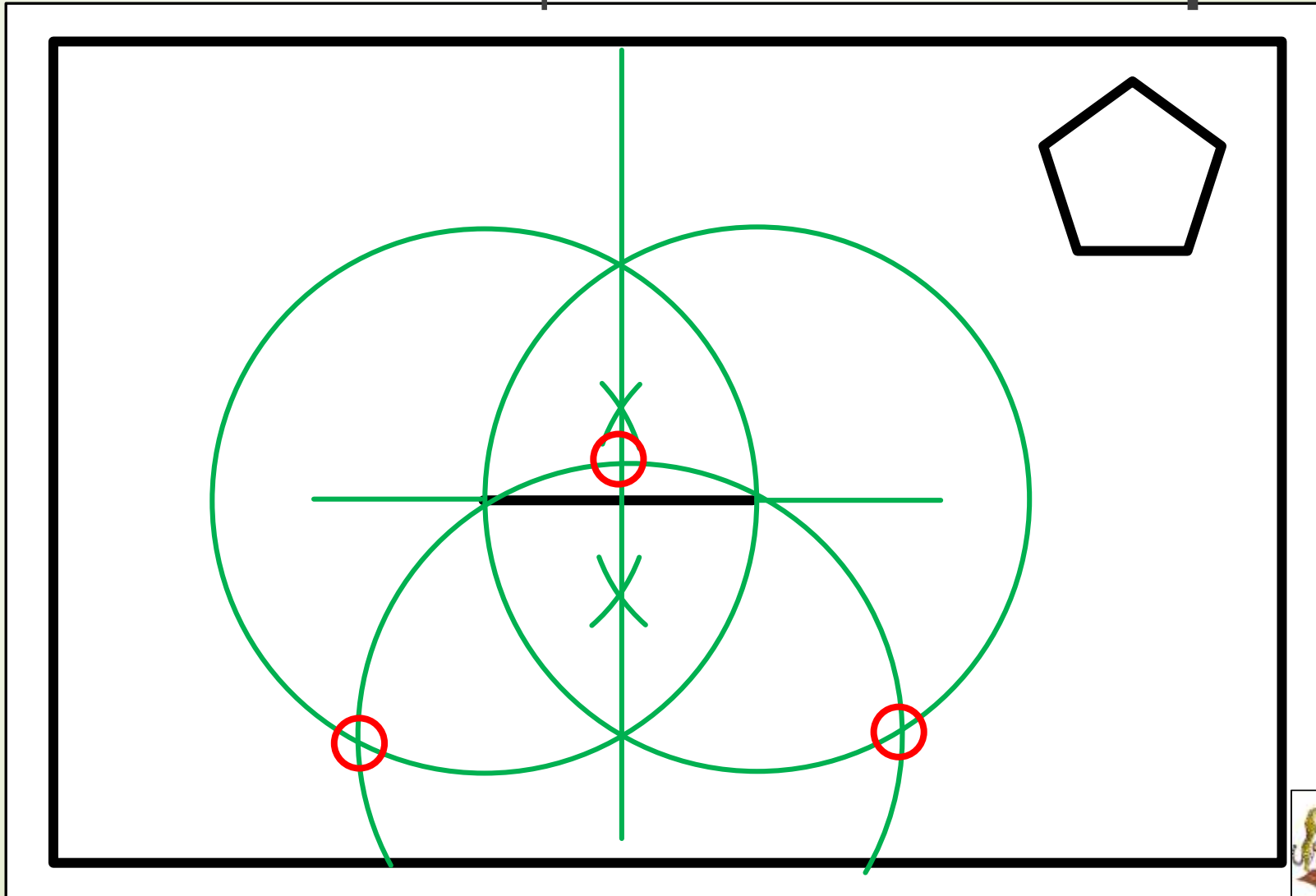
- By means of a compass construct a **pentagon**



# Constructing polygons

Method 1  
Step 5

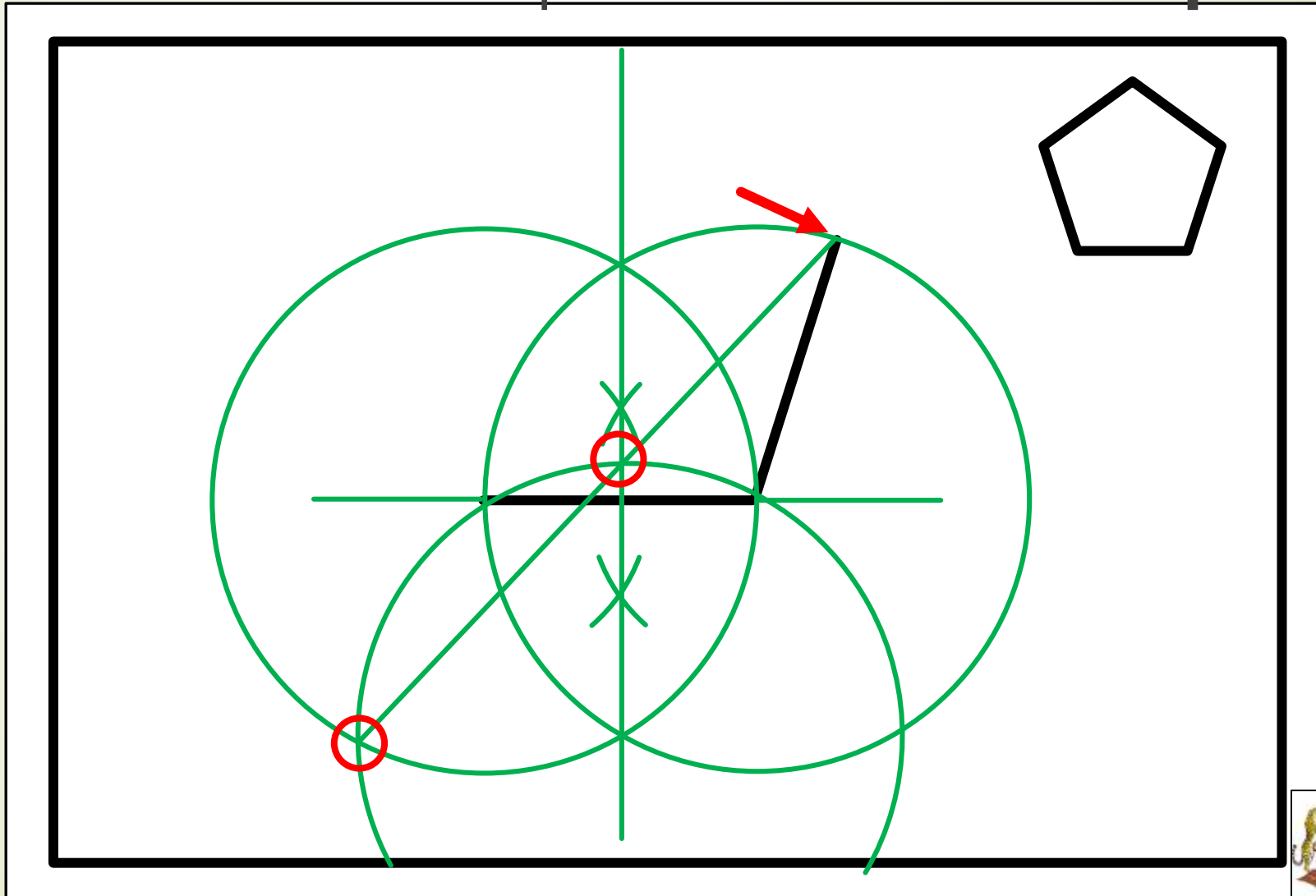
- By means of a compass construct a **pentagon**



# Constructing polygons

Method 1  
Step 6

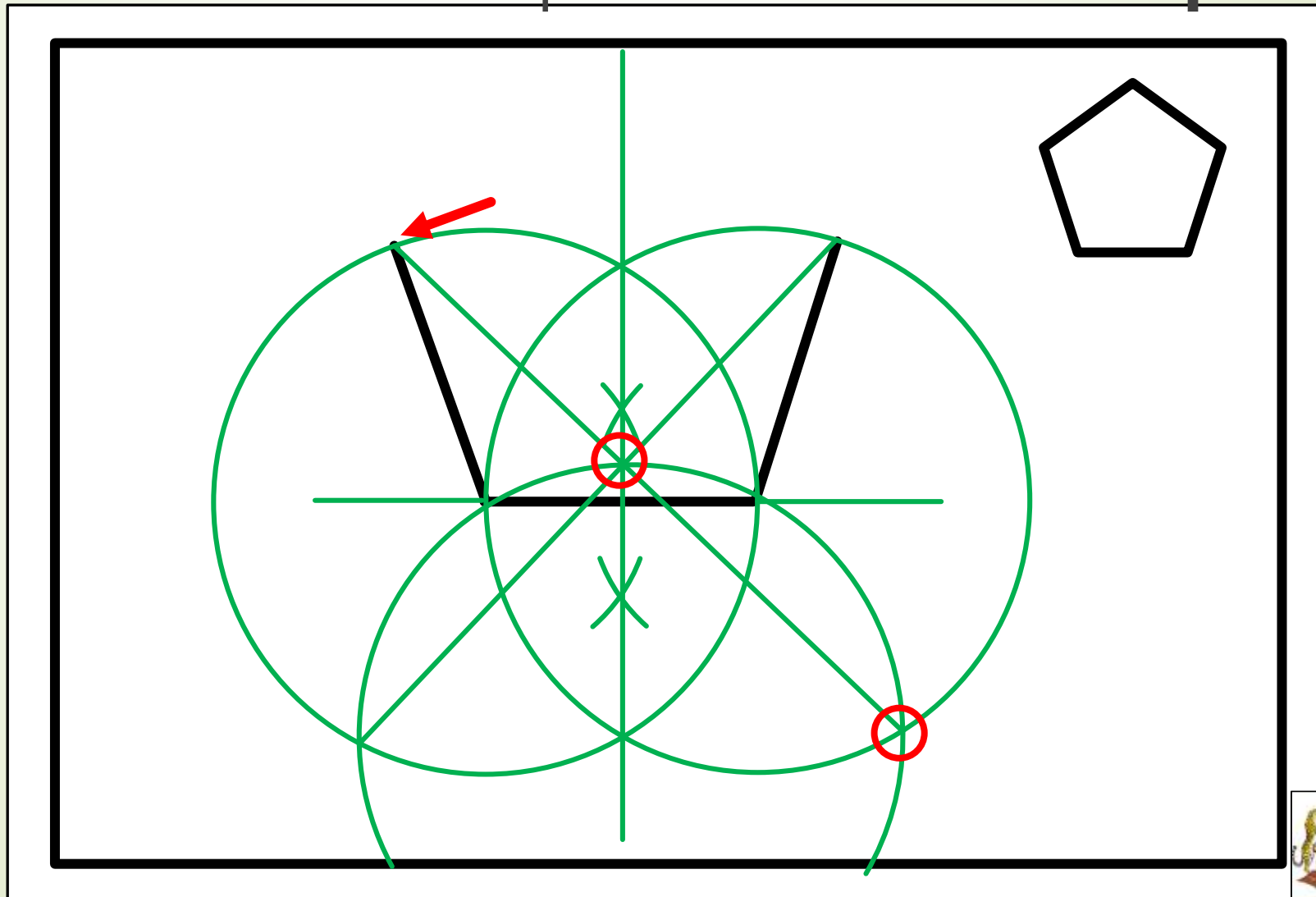
- By means of a compass construct a **pentagon**



# Constructing polygons

Method 1  
Step 7

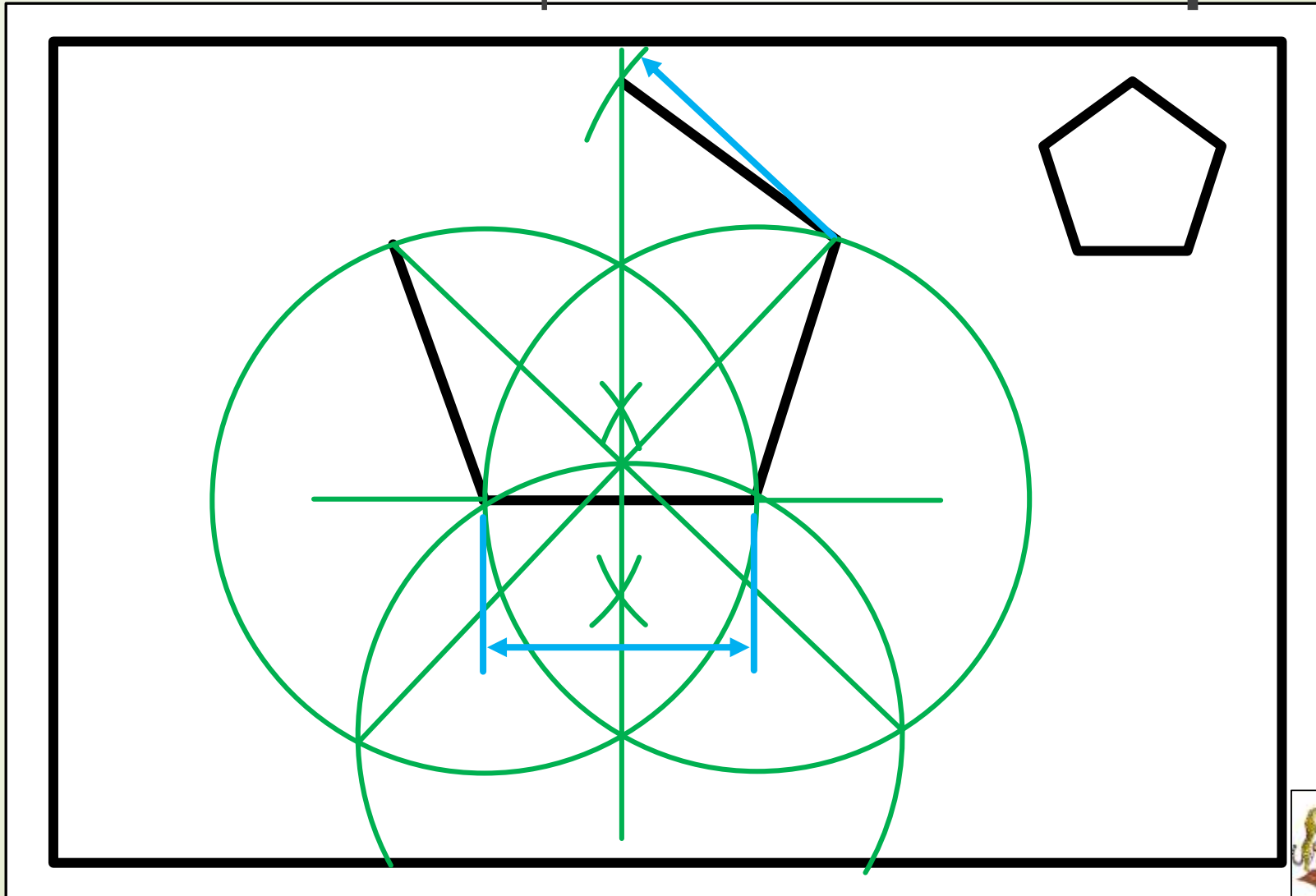
- By means of a compass construct a **pentagon**



# Constructing polygons

Method 1  
Step 8

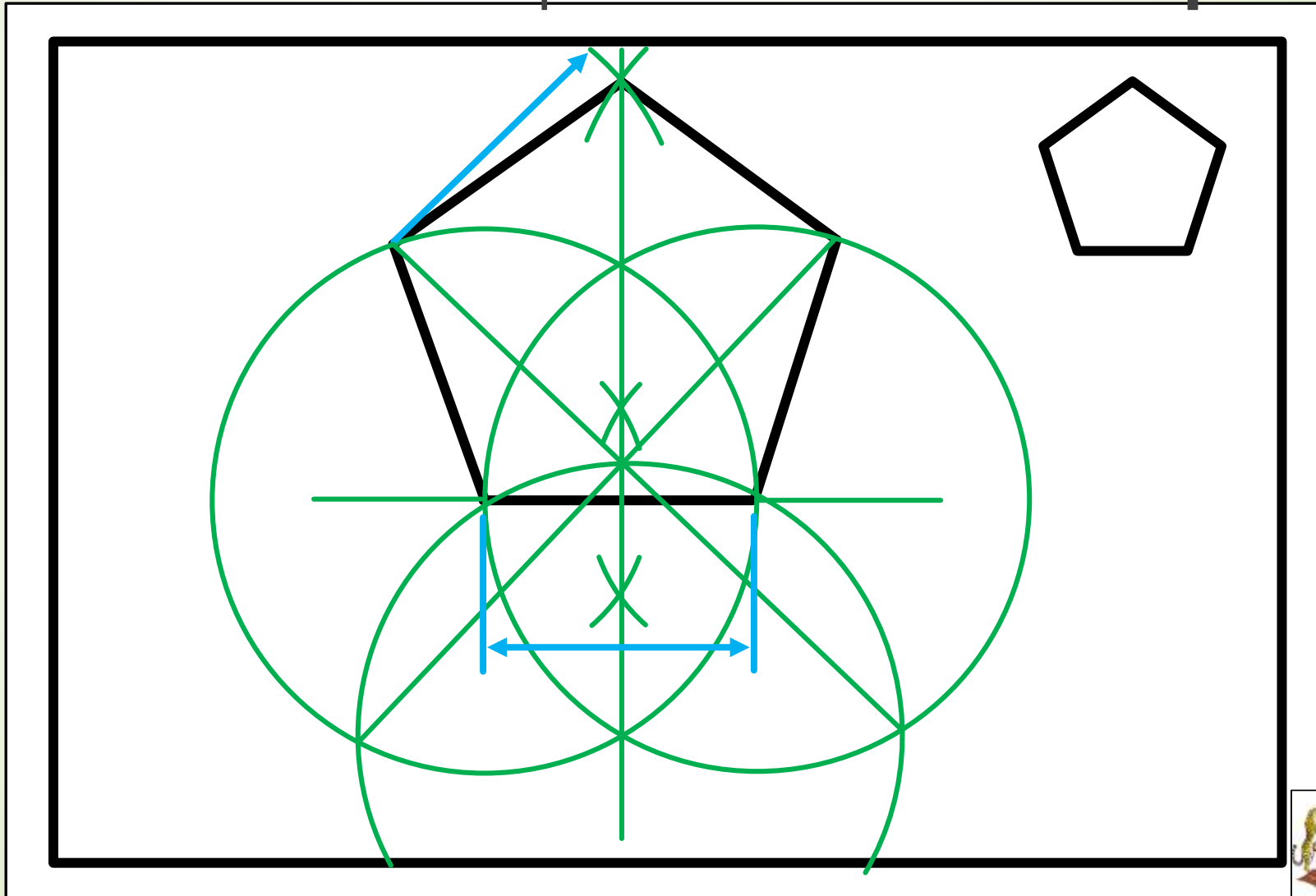
- By means of a compass construct a **pentagon**



# Constructing polygons

Method 1  
Step 9

- By means of a compass construct a **pentagon**

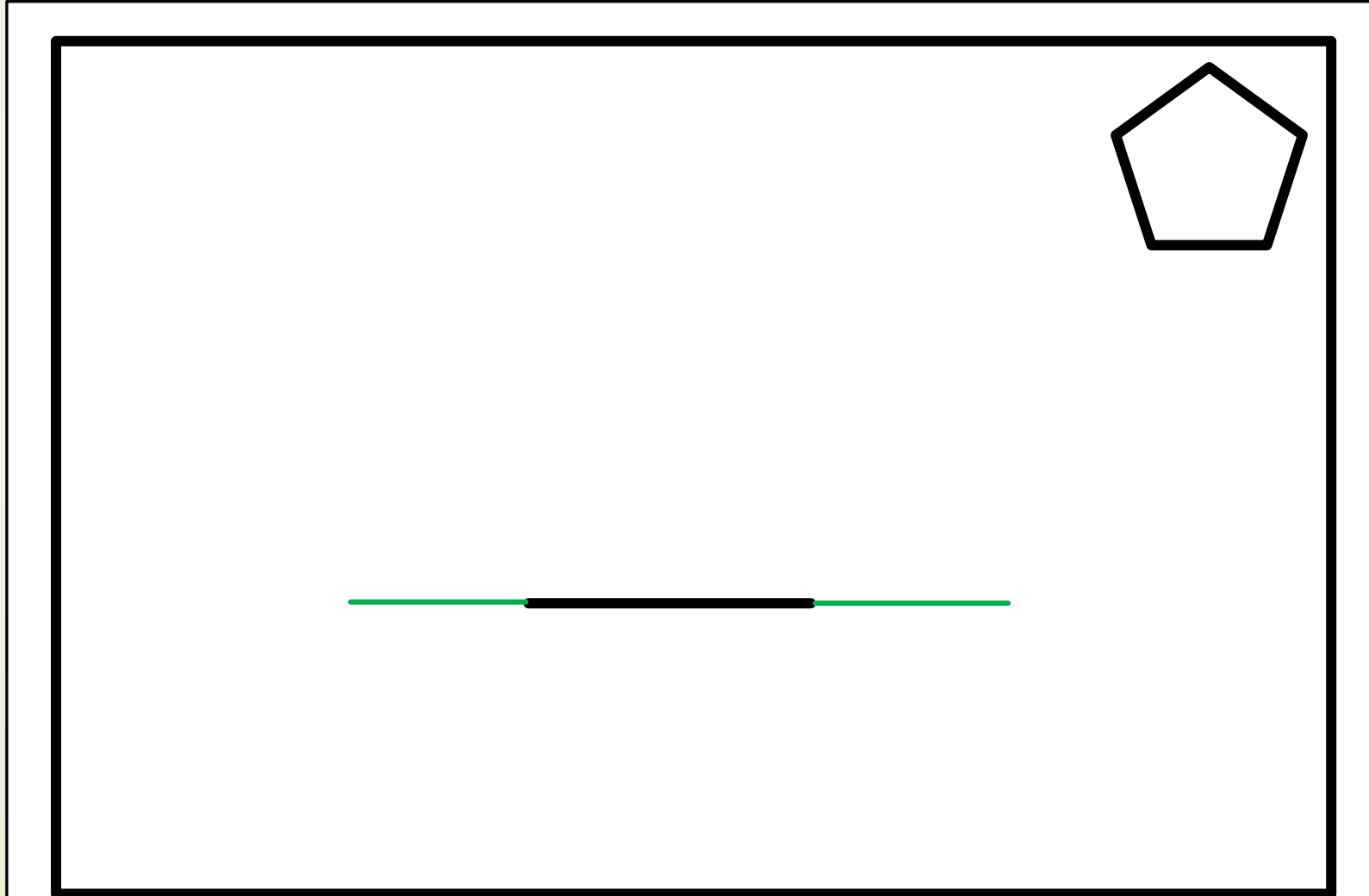




# Constructing polygons

Method 2

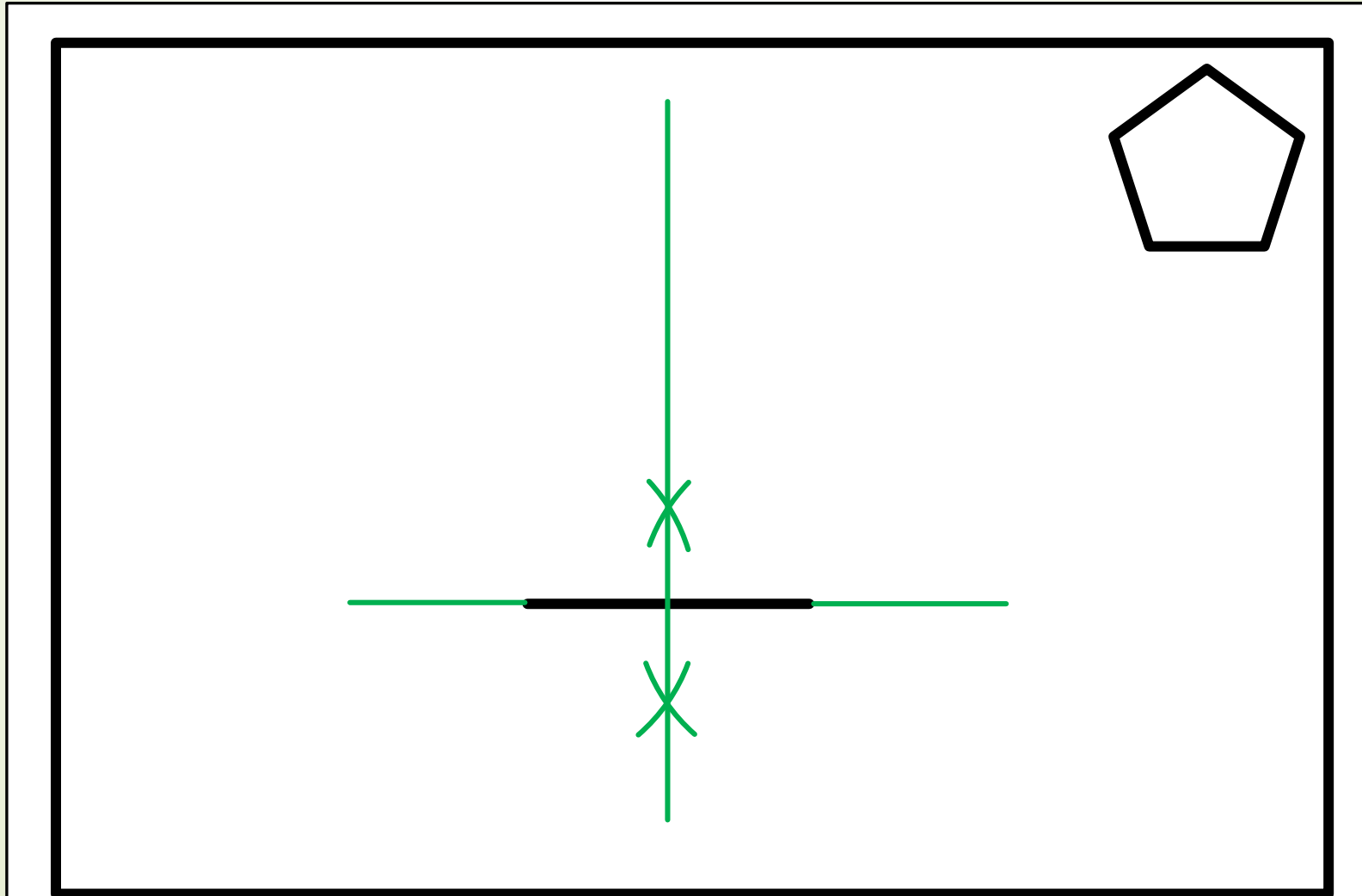
- By means of a compass construct a **pentagon**



# Constructing polygons

Method 2  
Step 1

- By means of a compass construct a **pentagon**

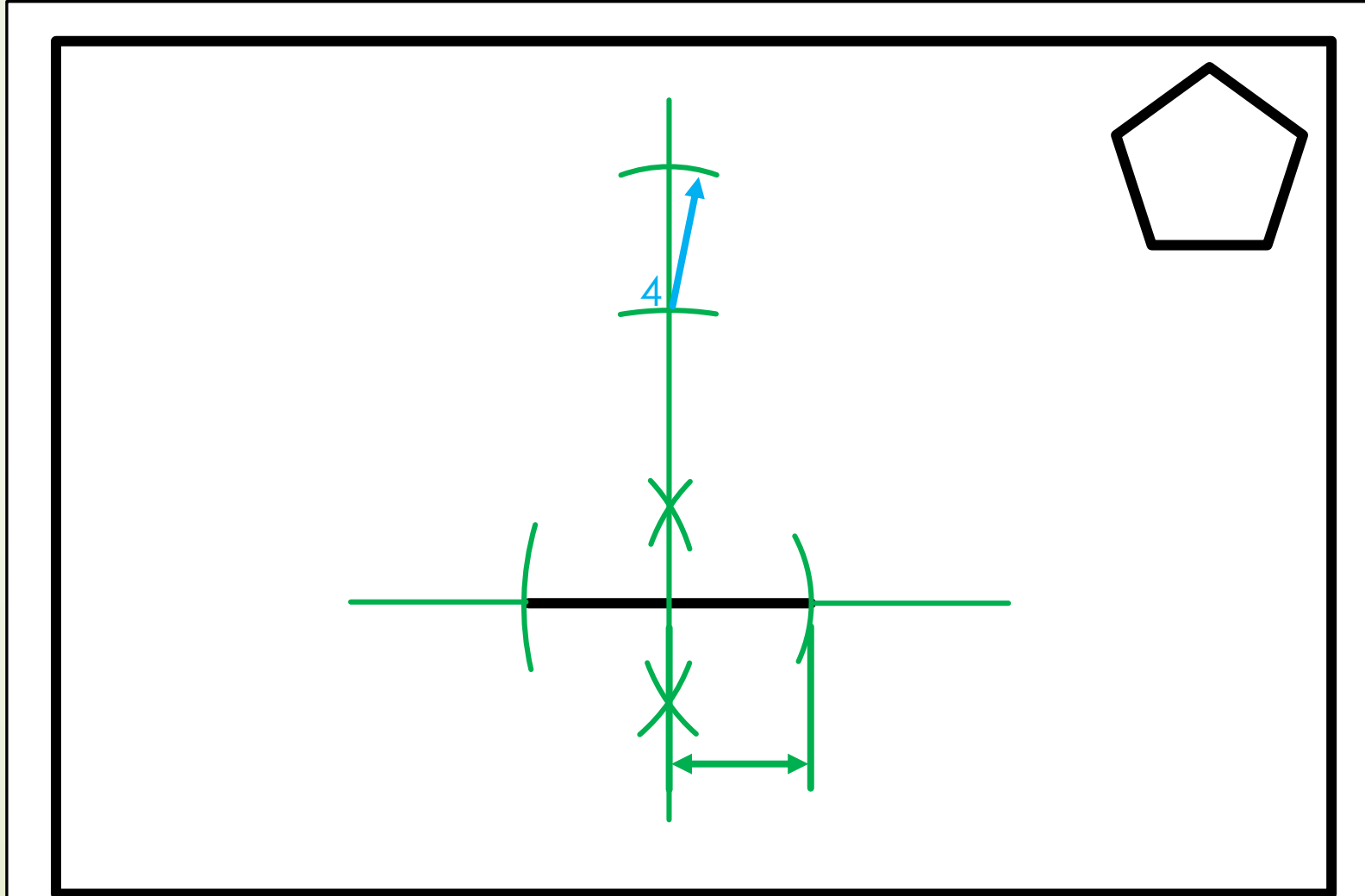




# Constructing polygons

Method 2  
Step 3

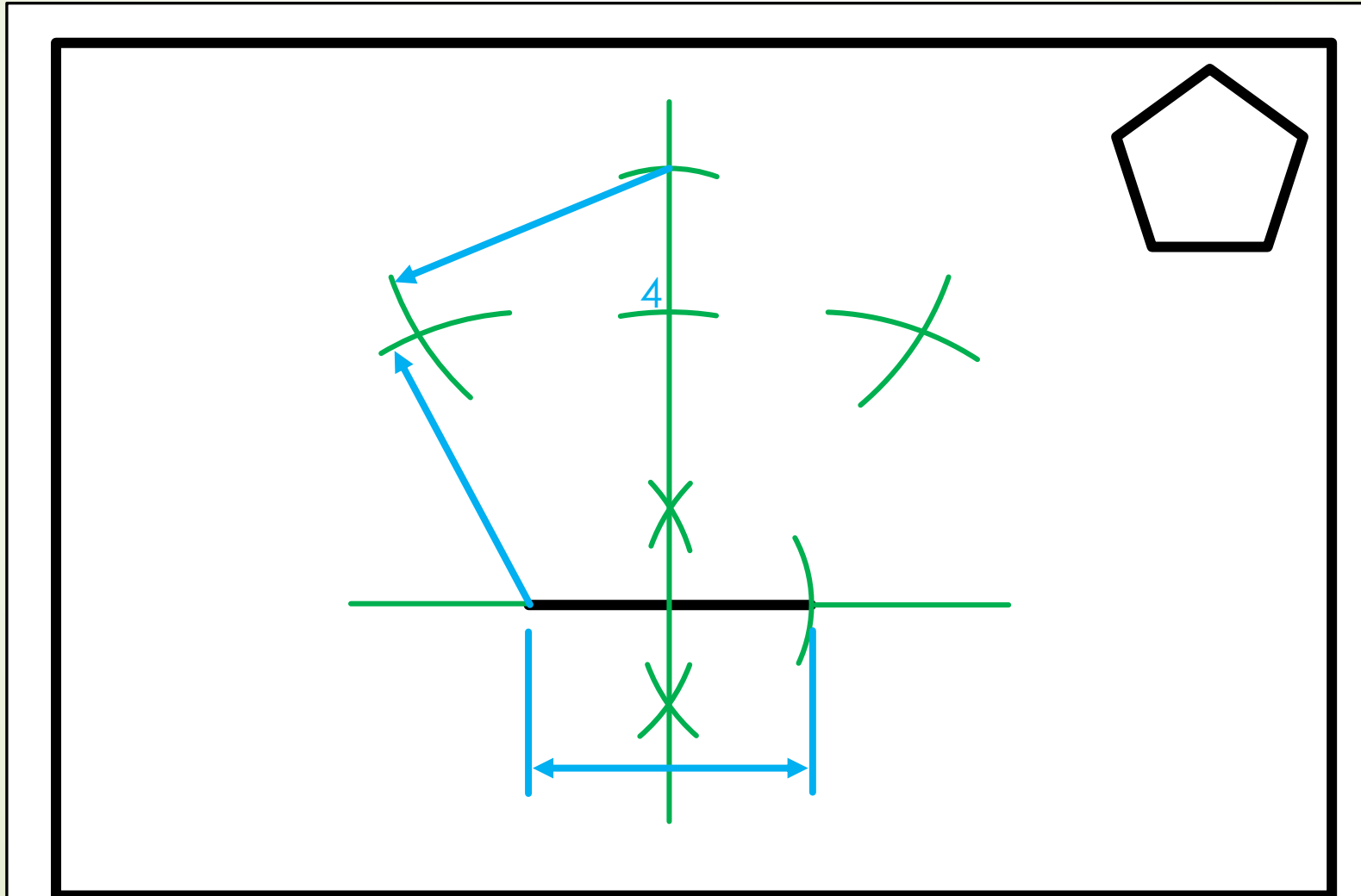
- By means of a compass construct a **pentagon**



# Constructing polygons

Method 2  
Step 4

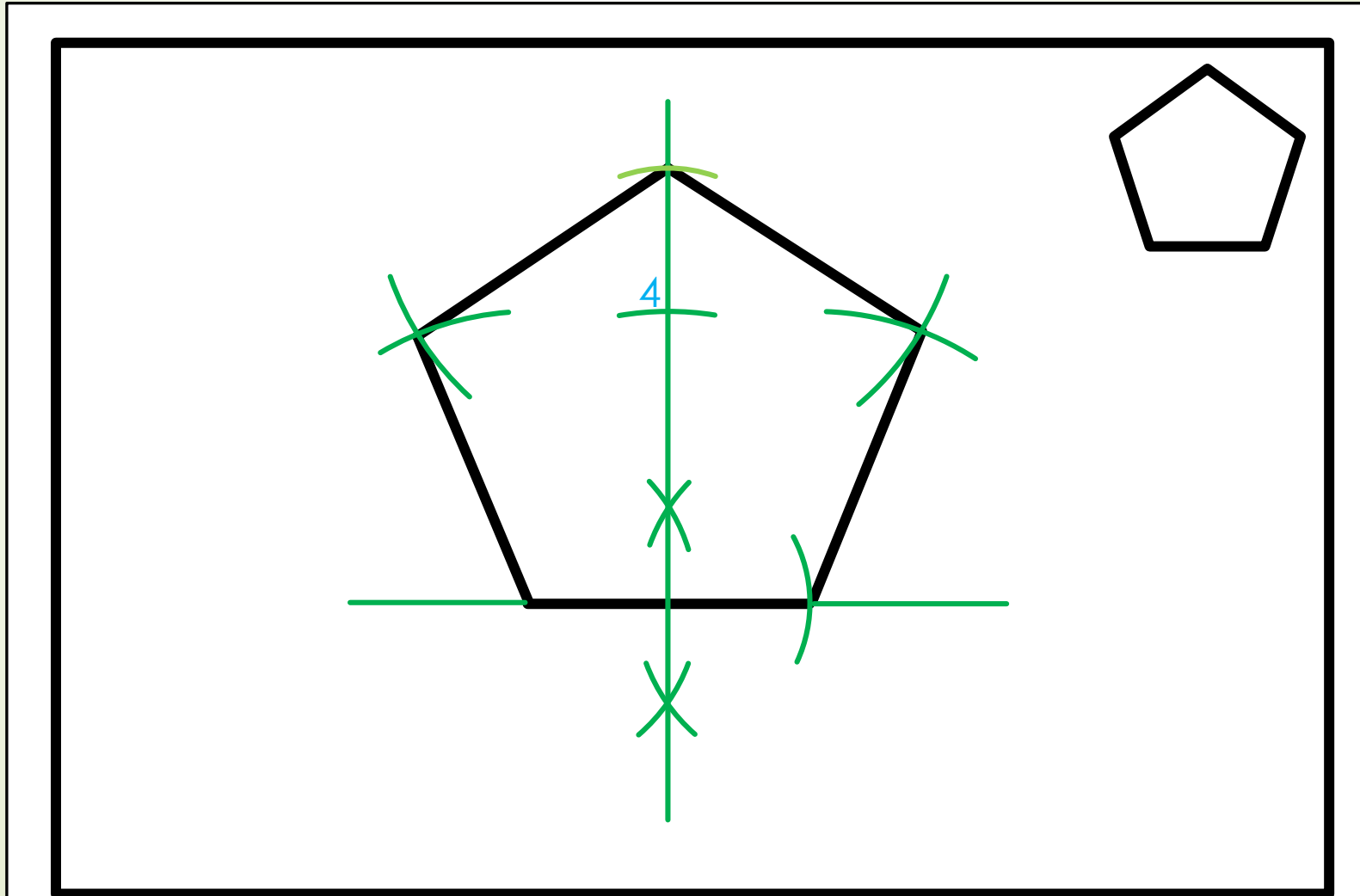
- By means of a compass construct a **pentagon**



# Constructing polygons

Method 2  
Step 5

- By means of a compass construct a **pentagon**



# Constructing polygons

## Task 1.8.3

- On the prepared A3 drawing sheet (Task 1.8.1), draw the following:
- **Question: Construct a polygon ABCDE with 45 mm side lengths.**
- Show all construction lines.
- Name this task 1.8.3