



Constructing polygons

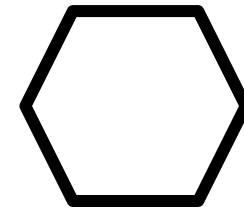
Hexagone

Developed by: PC Viljoen
Senior Educational Specialist for
Engineering Graphics and Design
Free State Province

Constructing polygons

- ➔ Construct a **hexagon** (6 sides)

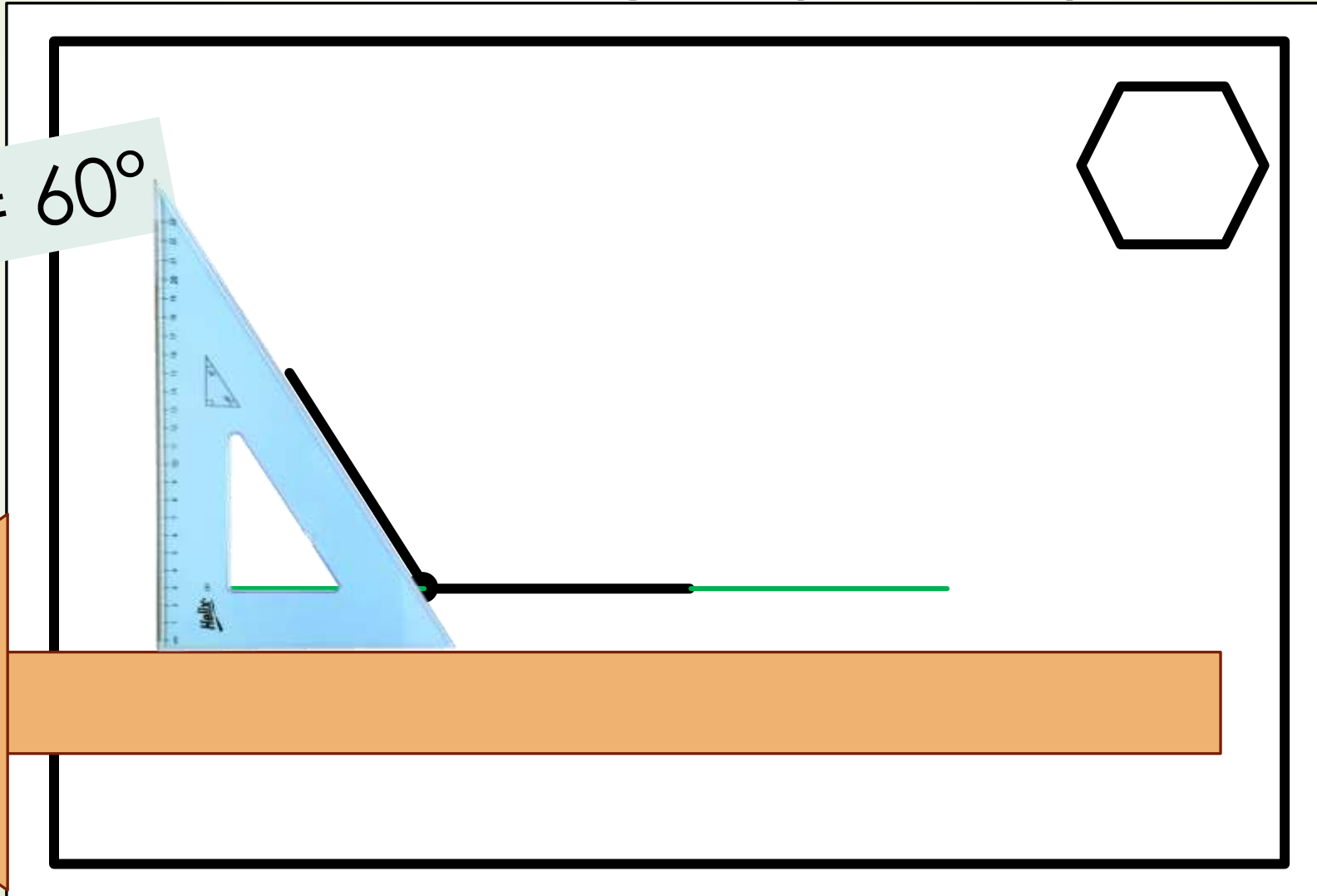
$$360^\circ \div 6 = 60^\circ$$



Constructing polygons

- ➔ Construct a **hexagon** (6 sides)

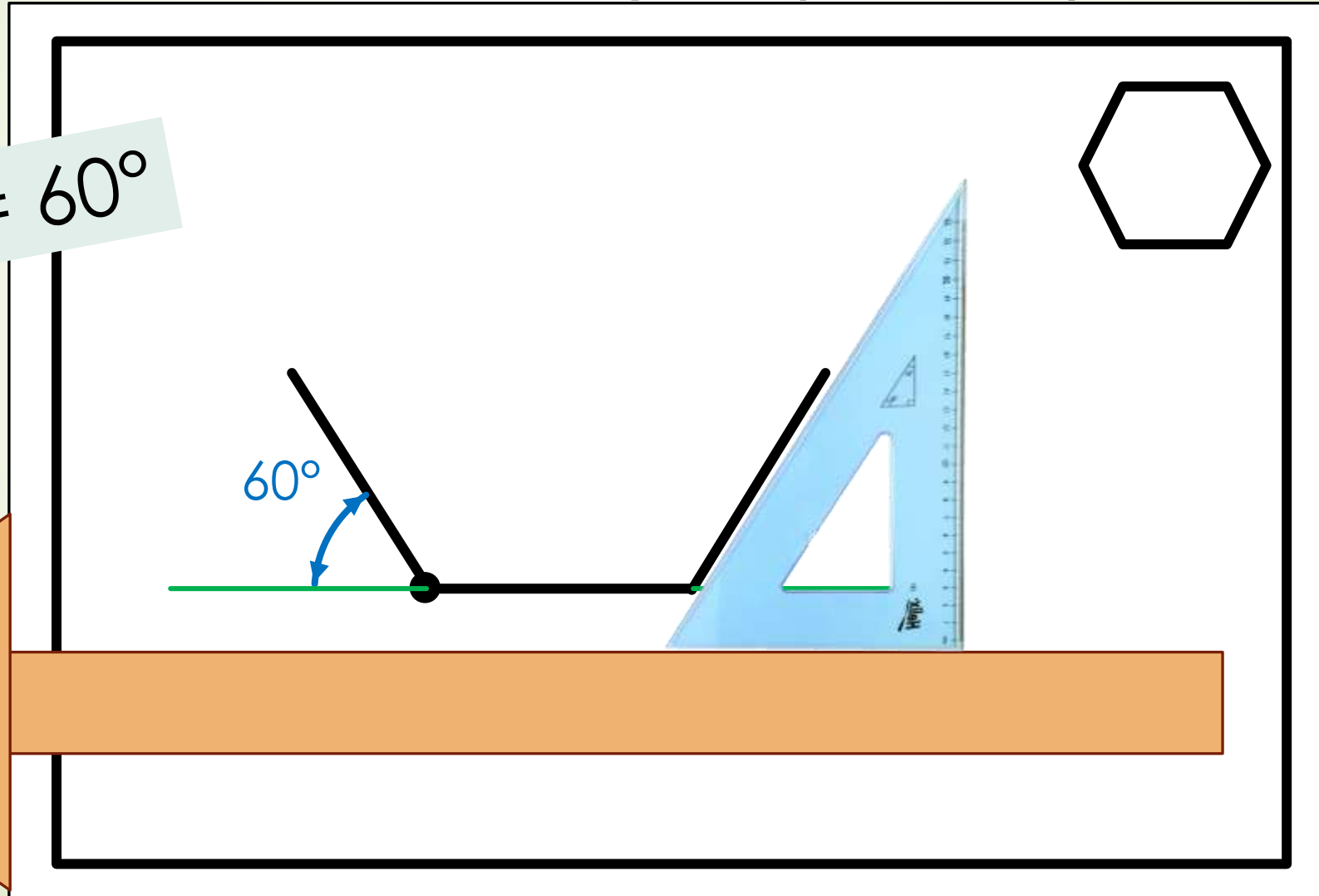
$$360^\circ \div 6 = 60^\circ$$



Constructing polygons

- ➔ Construct a **hexagon** (6 sides)

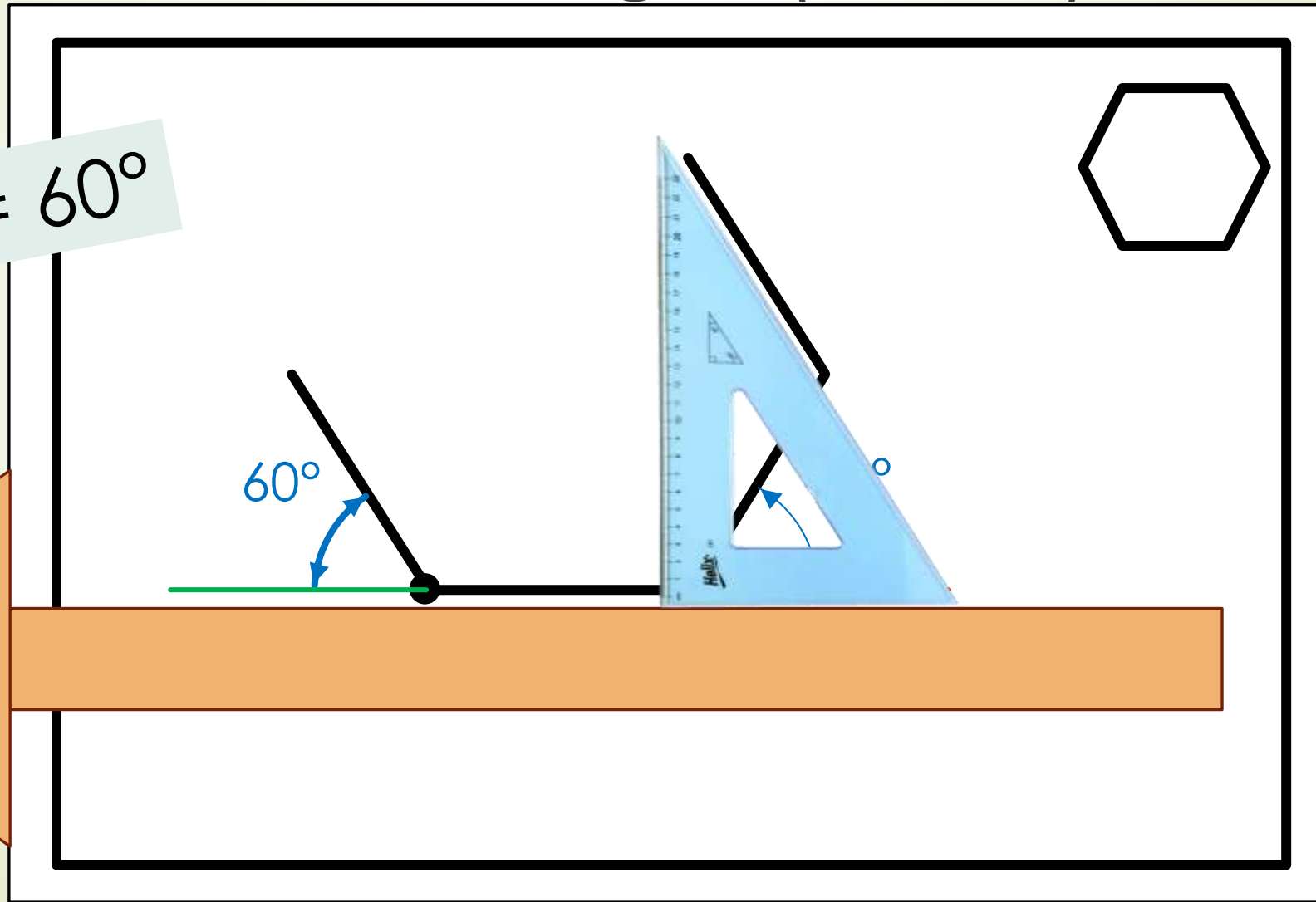
$$360^\circ \div 6 = 60^\circ$$



Constructing polygons

- ➔ Construct a **hexagon** (6 sides)

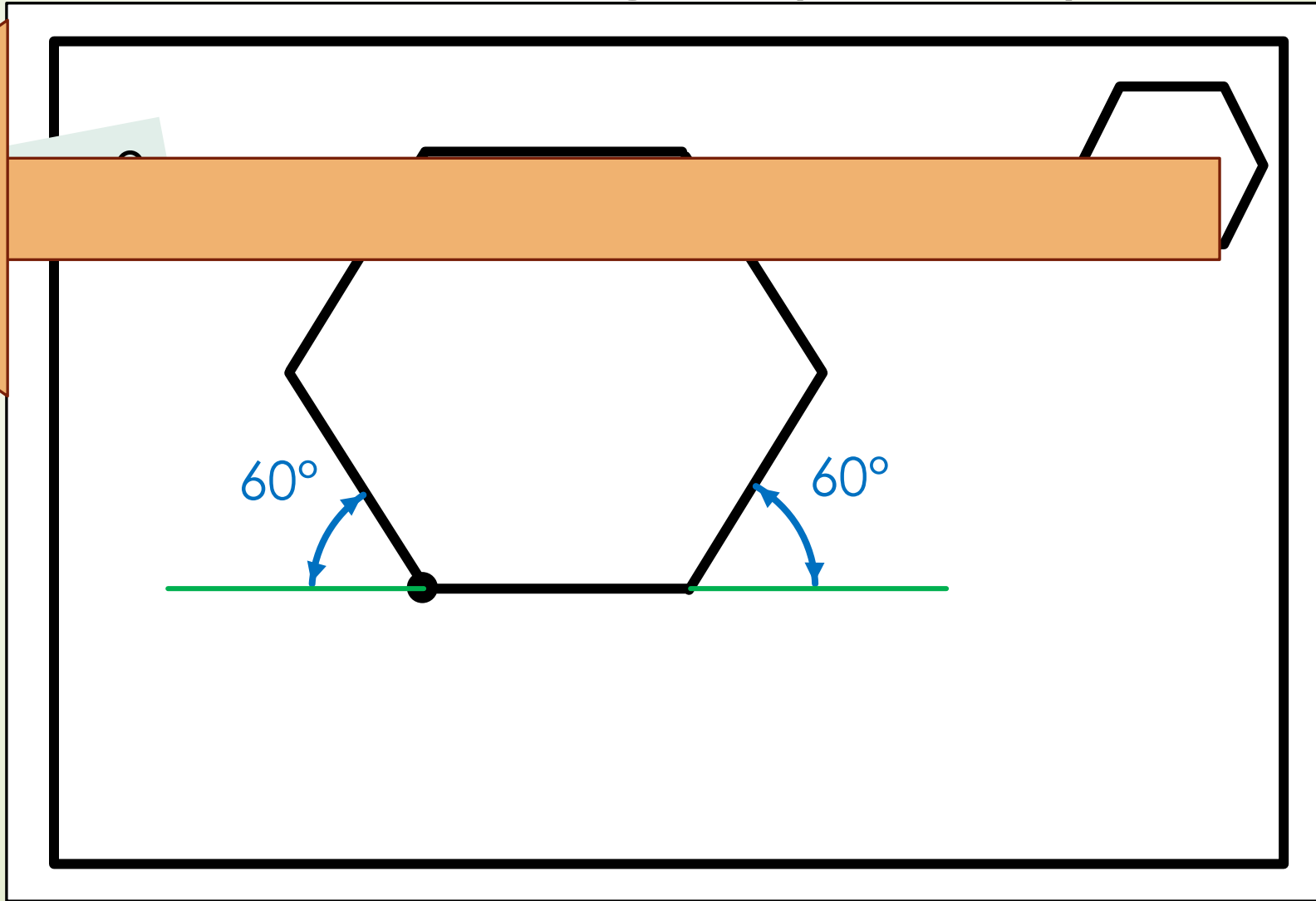
$$360^\circ \div 6 = 60^\circ$$



Constructing polygons

- ➔ Construct a **hexagon** (6 sides)

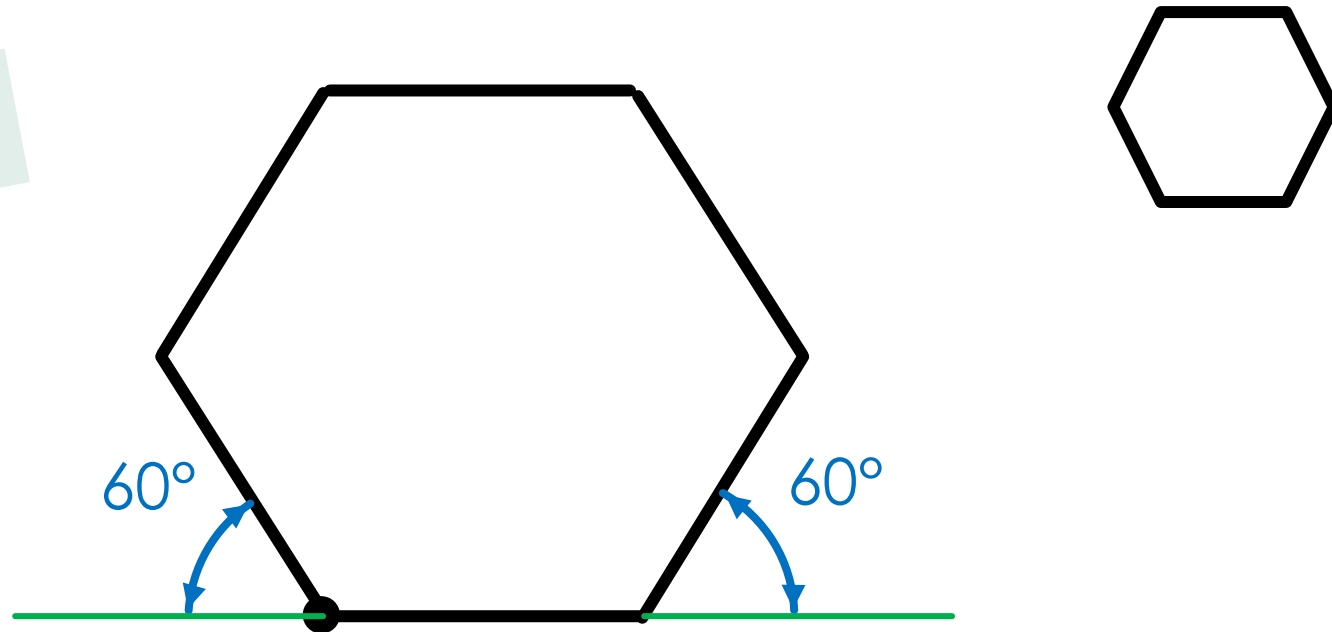
$$360^\circ \div 6$$



Constructing polygons

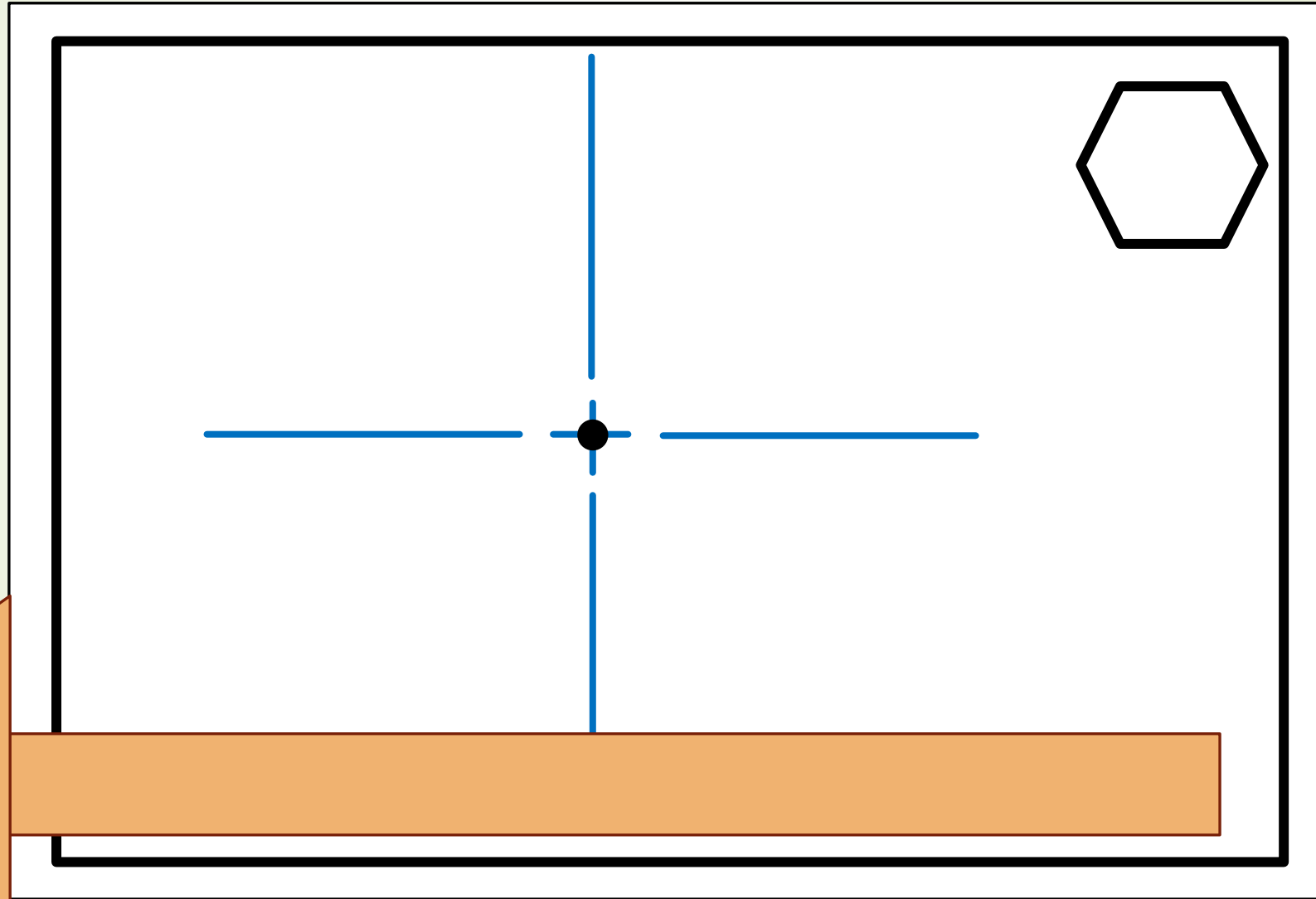
- Construct a **hexagon** (6 sides)

$$360^\circ \div 6 = 60^\circ$$



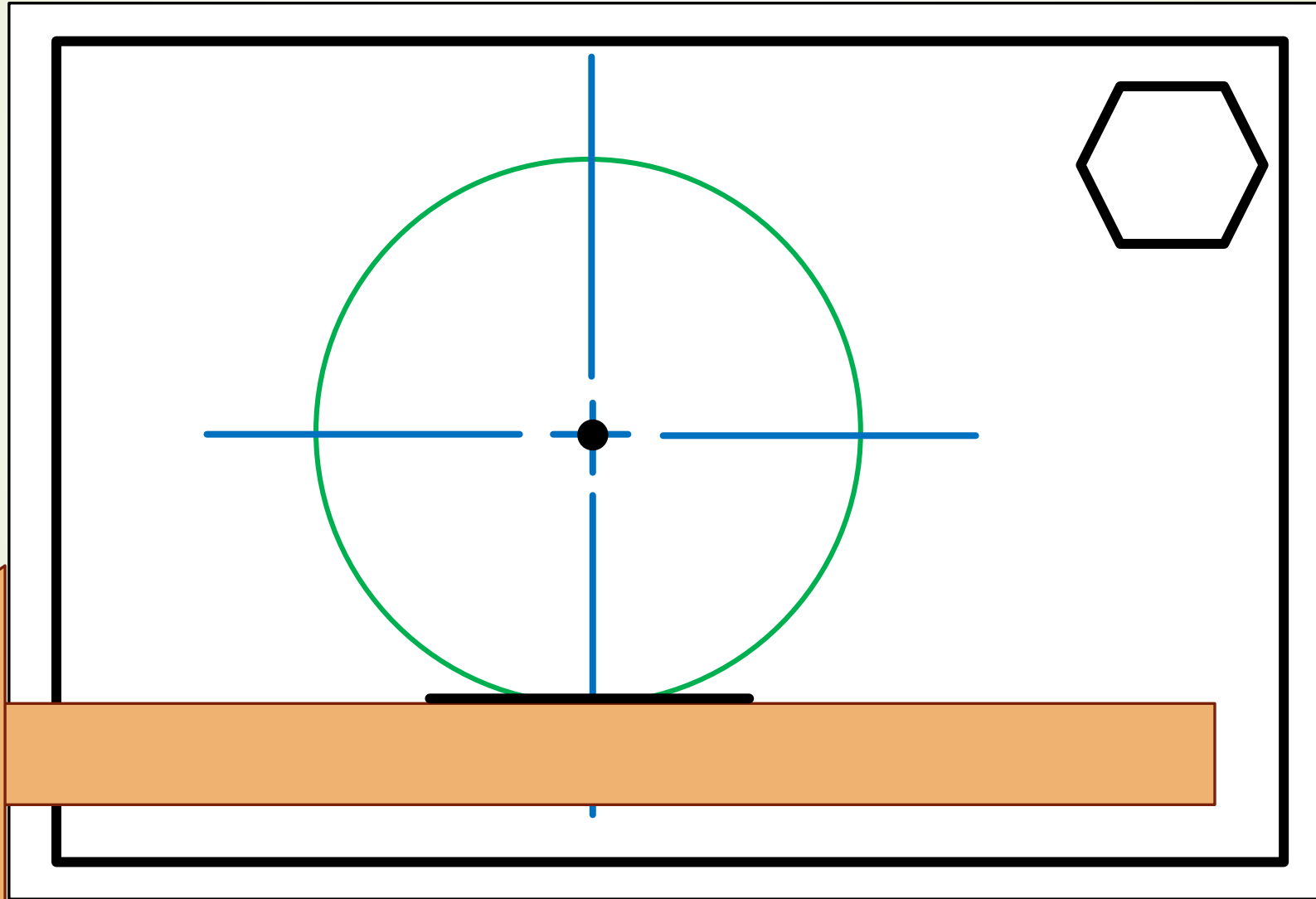
Constructing polygons

- Construction of a **hexagon** – Inscribed method



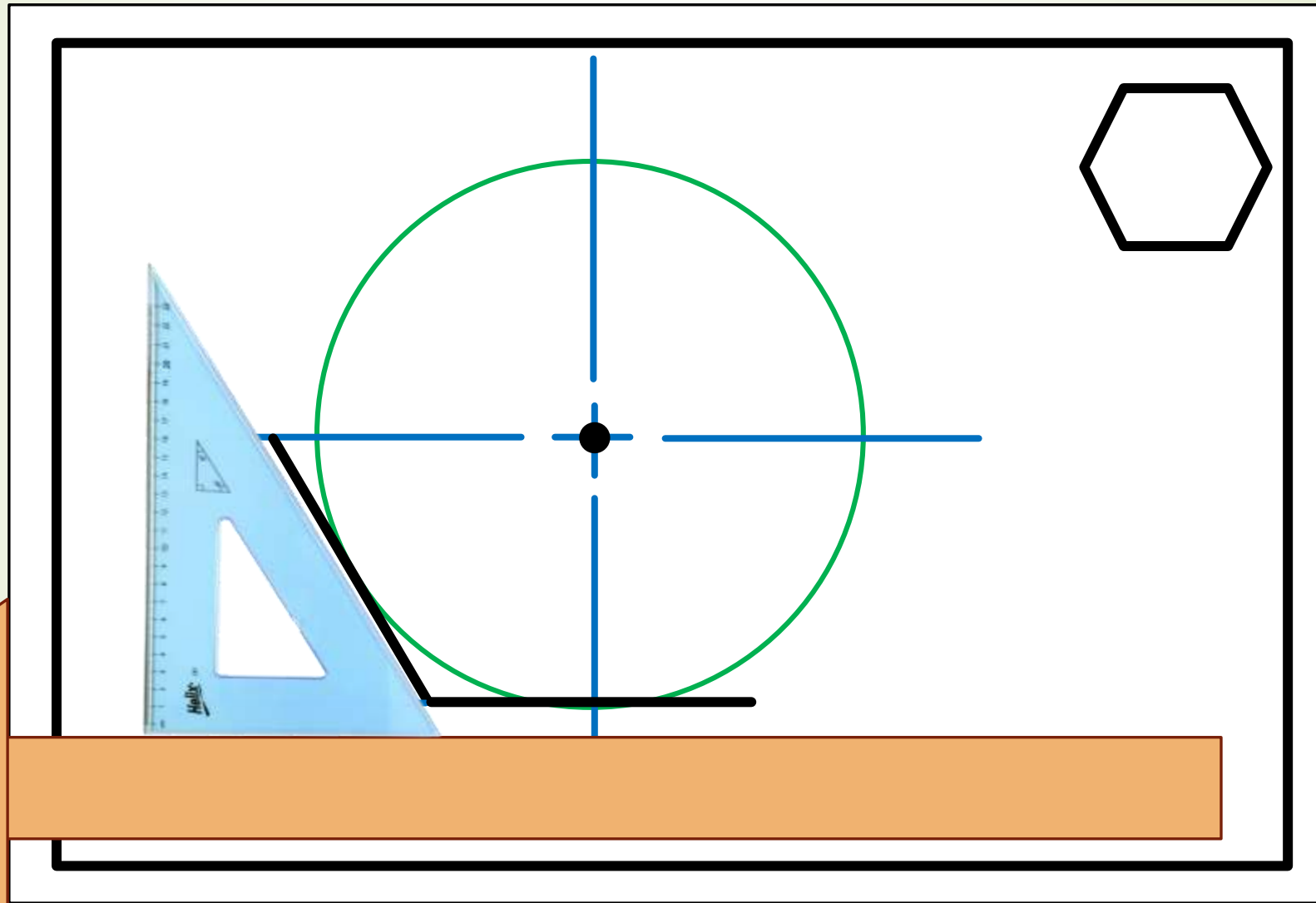
Constructing polygons

- Construction of a **hexagon** – Inscribed method



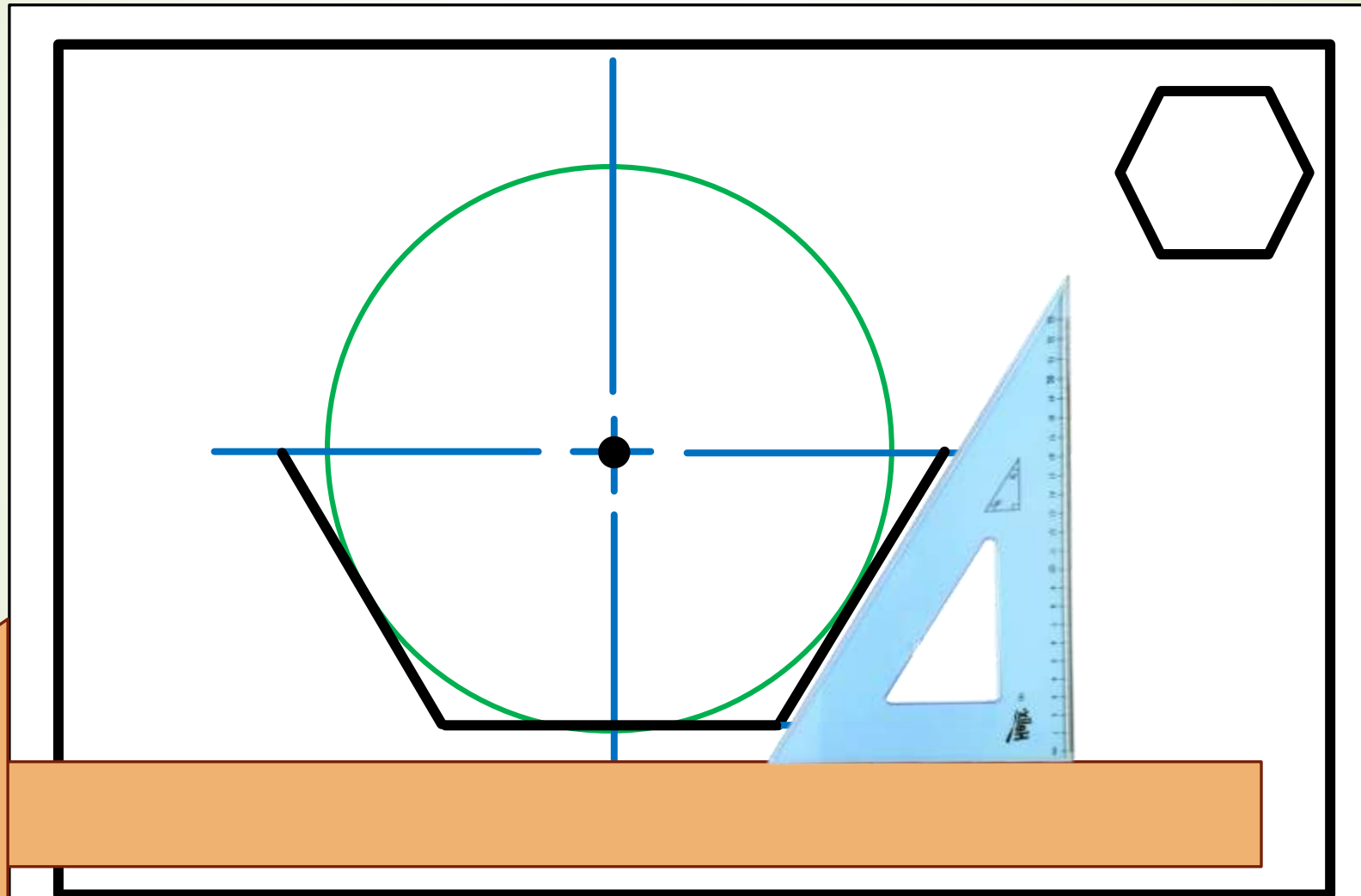
Constructing polygons

- Construction of a **hexagon** – Inscribed method



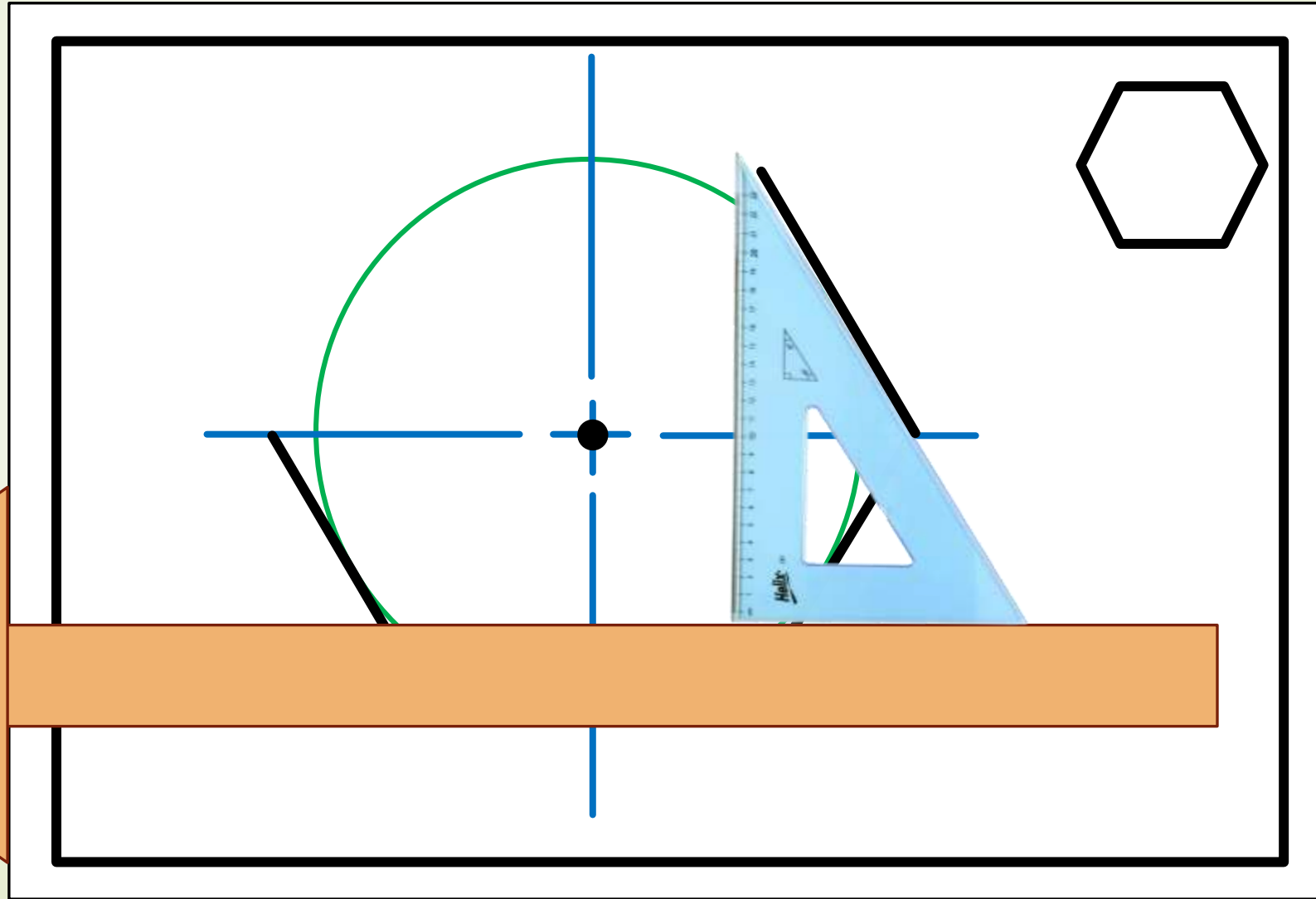
Constructing polygons

- Construction of a **hexagon** – Inscribed method



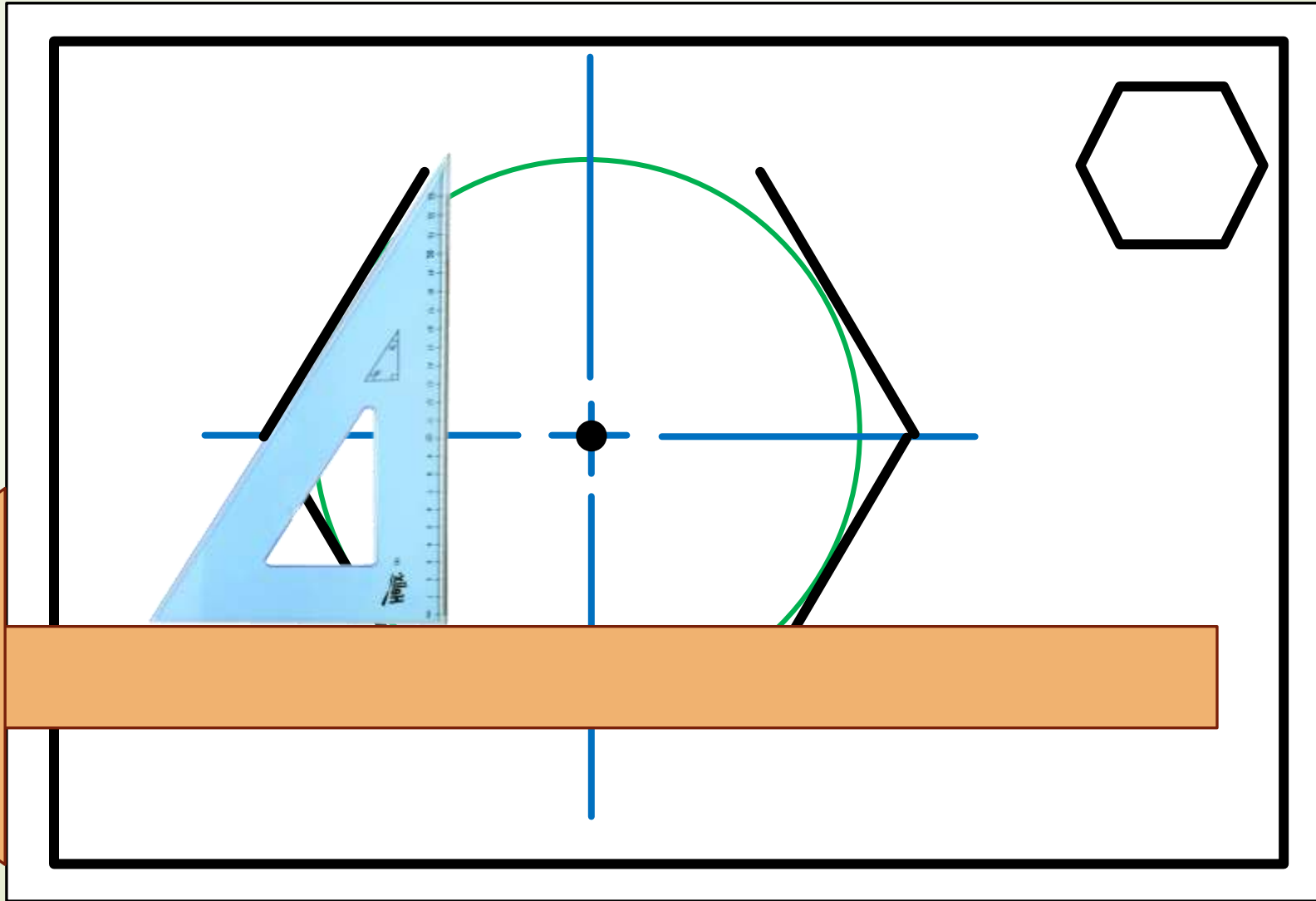
Constructing polygons

- Construction of a **hexagon** – Inscribed method



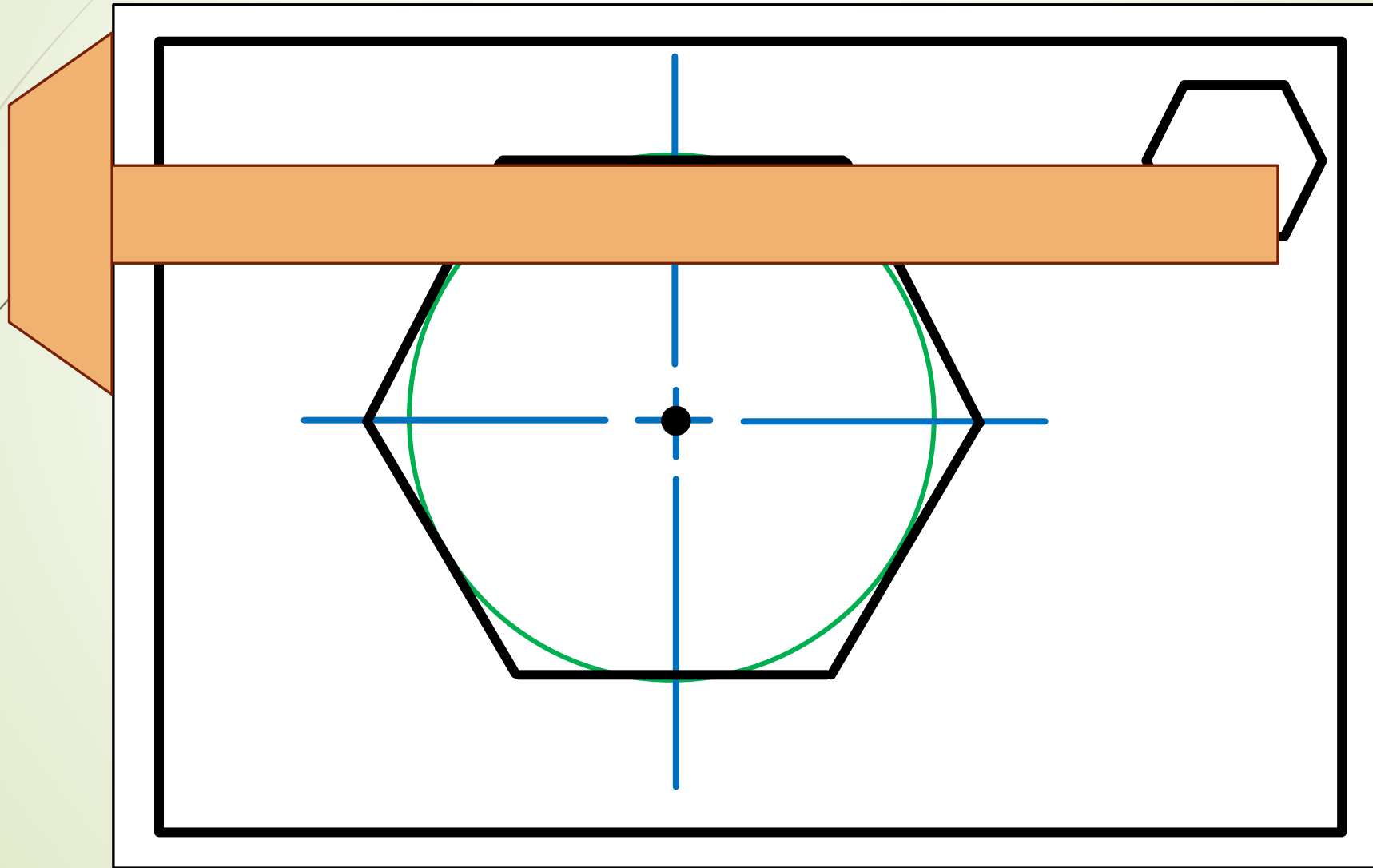
Constructing polygons

- Construction of a **hexagon** – Inscribed method



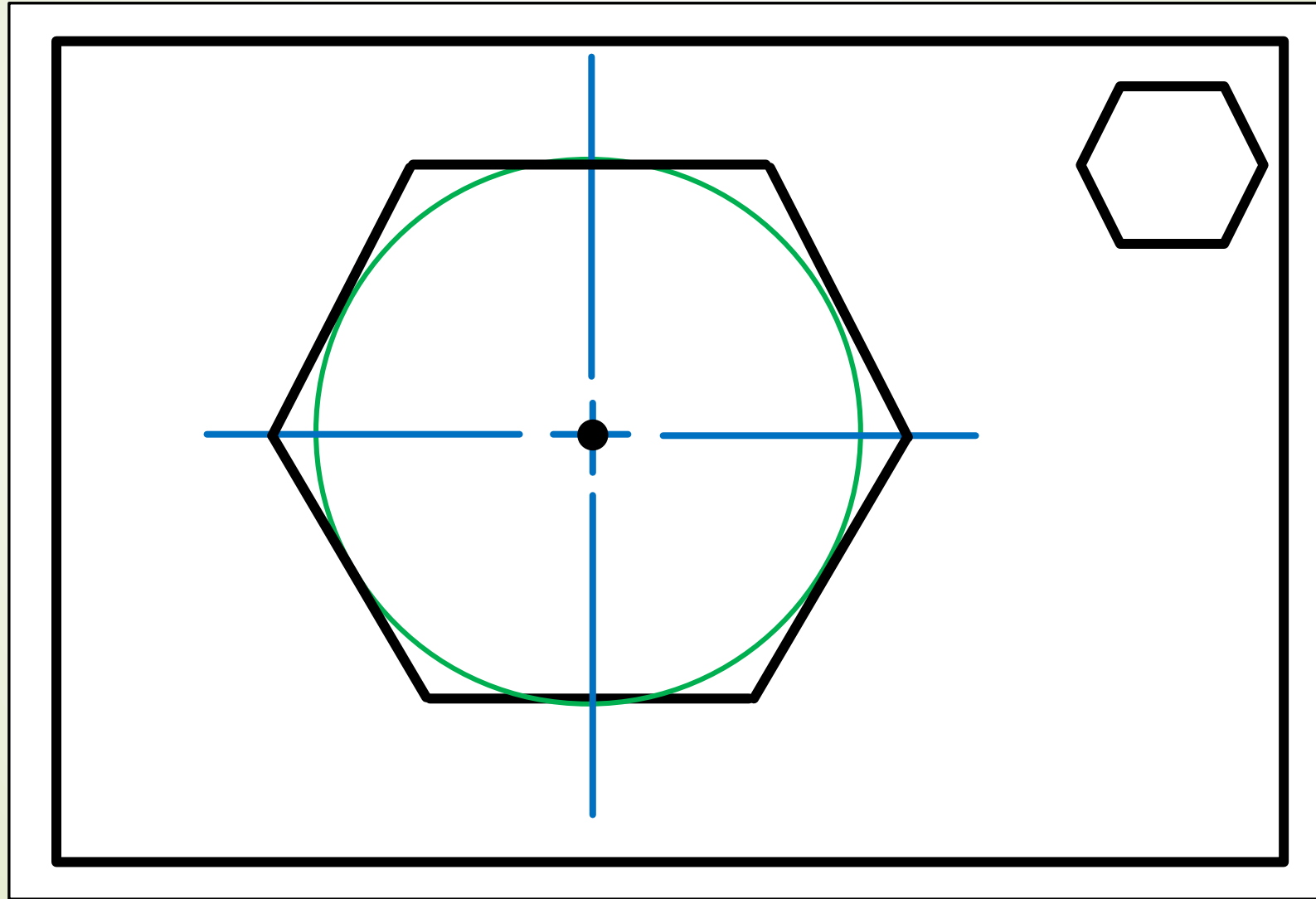
Constructing polygons

- Construction of a **hexagon** – Inscribed method



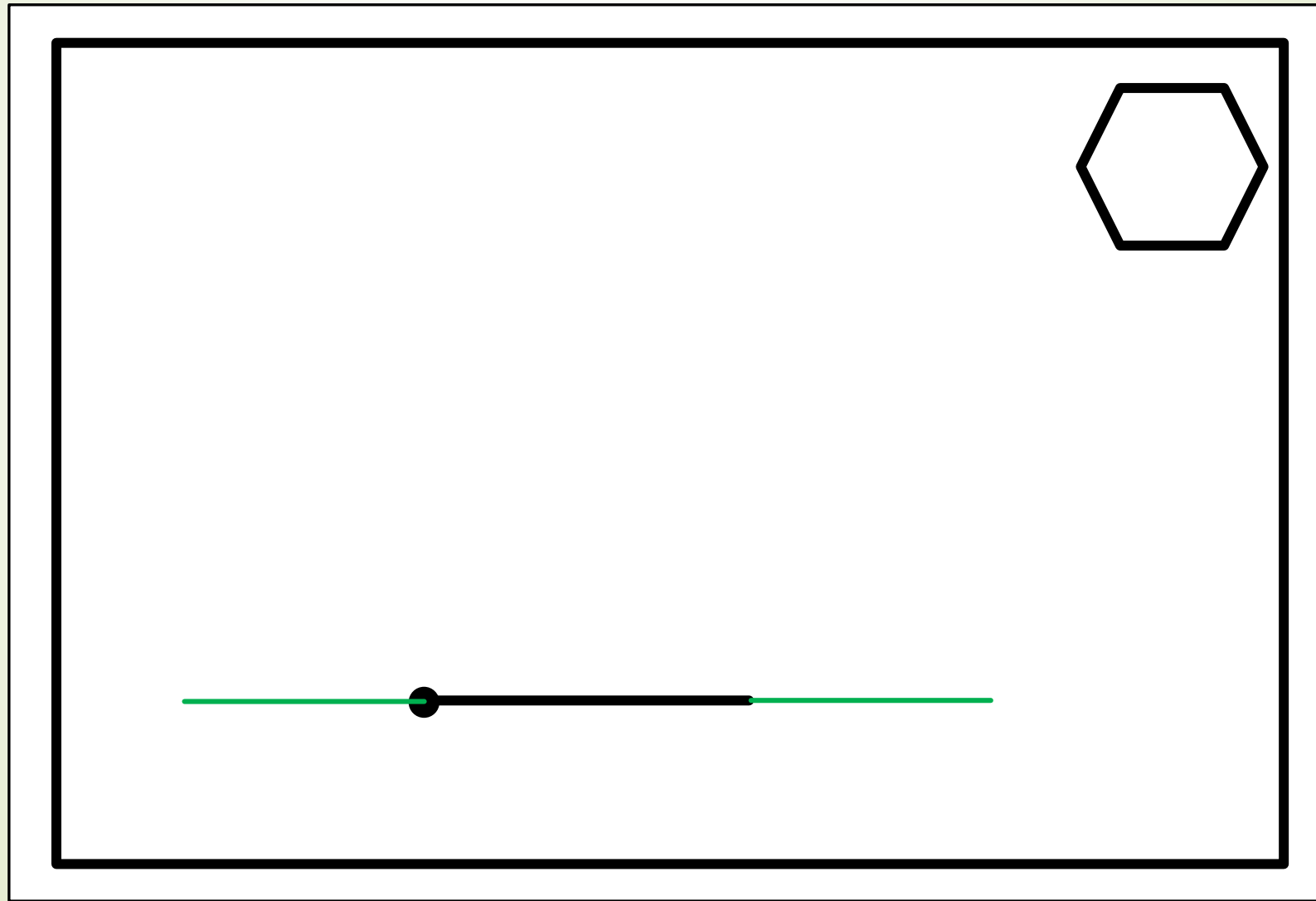
Constructing polygons

- Construction of a **hexagon** – Inscribed method



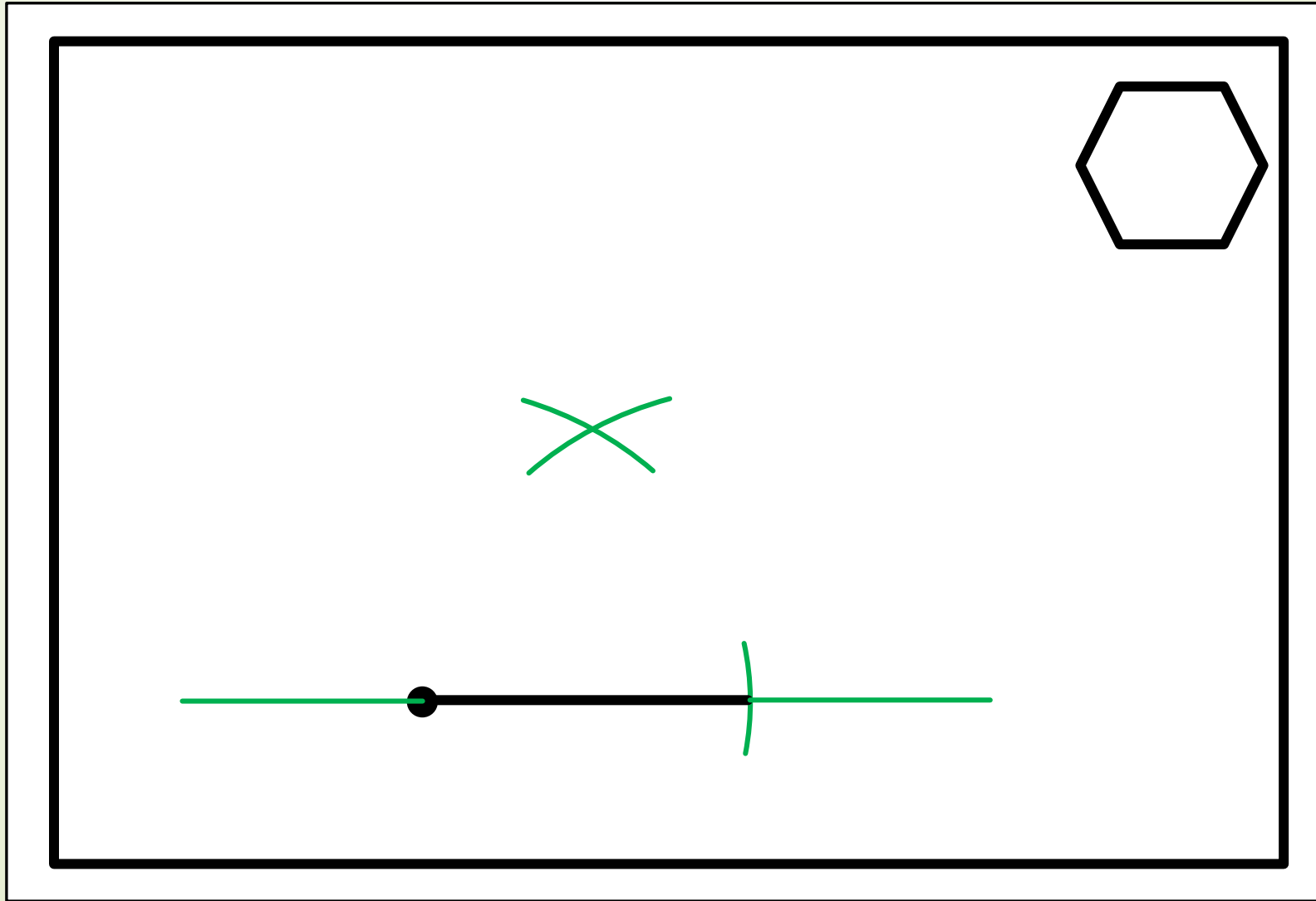
Constructing polygons

- Construction of a **hexagon** – **Circumscribed method**



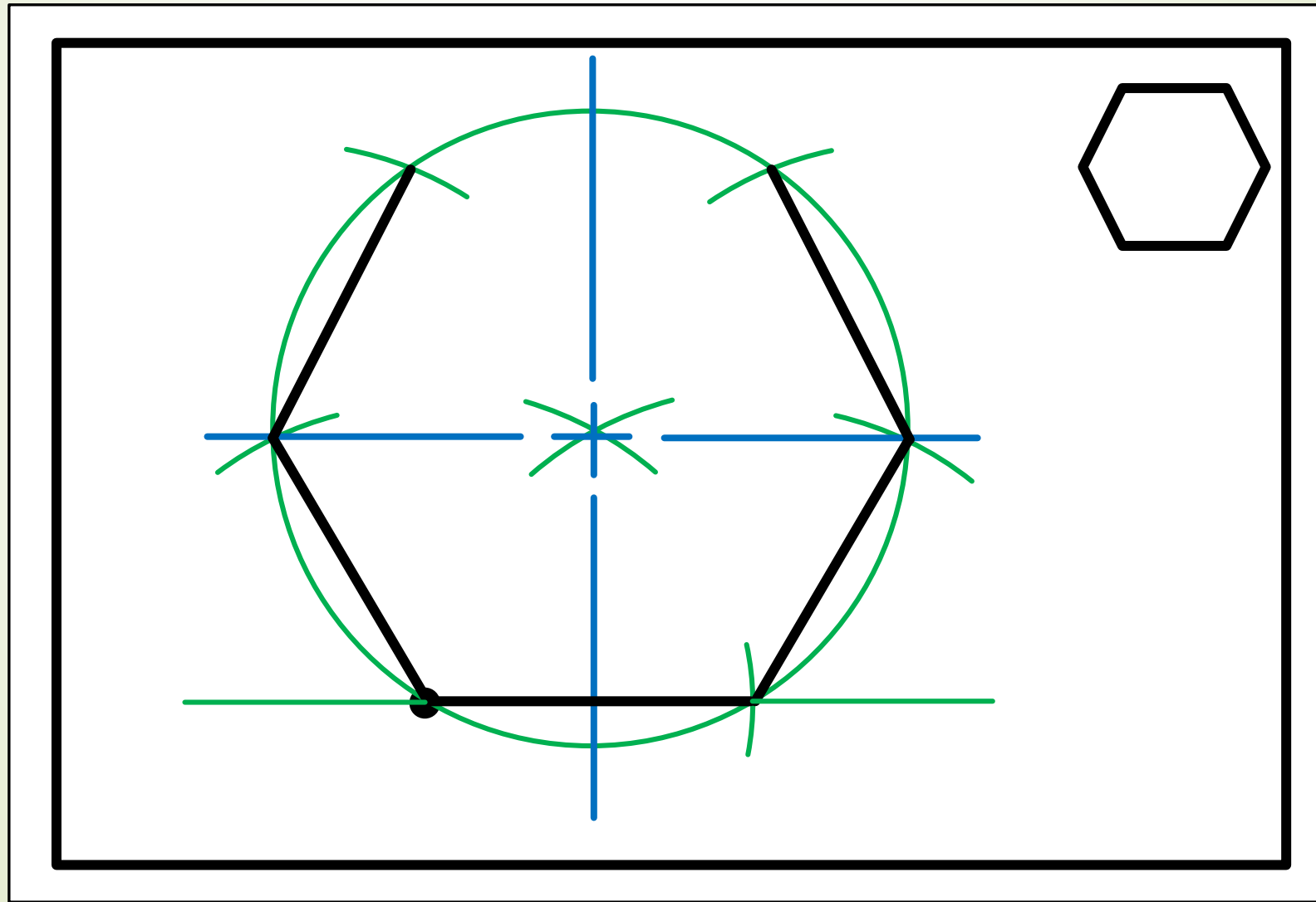
Constructing polygons

- Construction of a **hexagon** – **Circumscribed method**



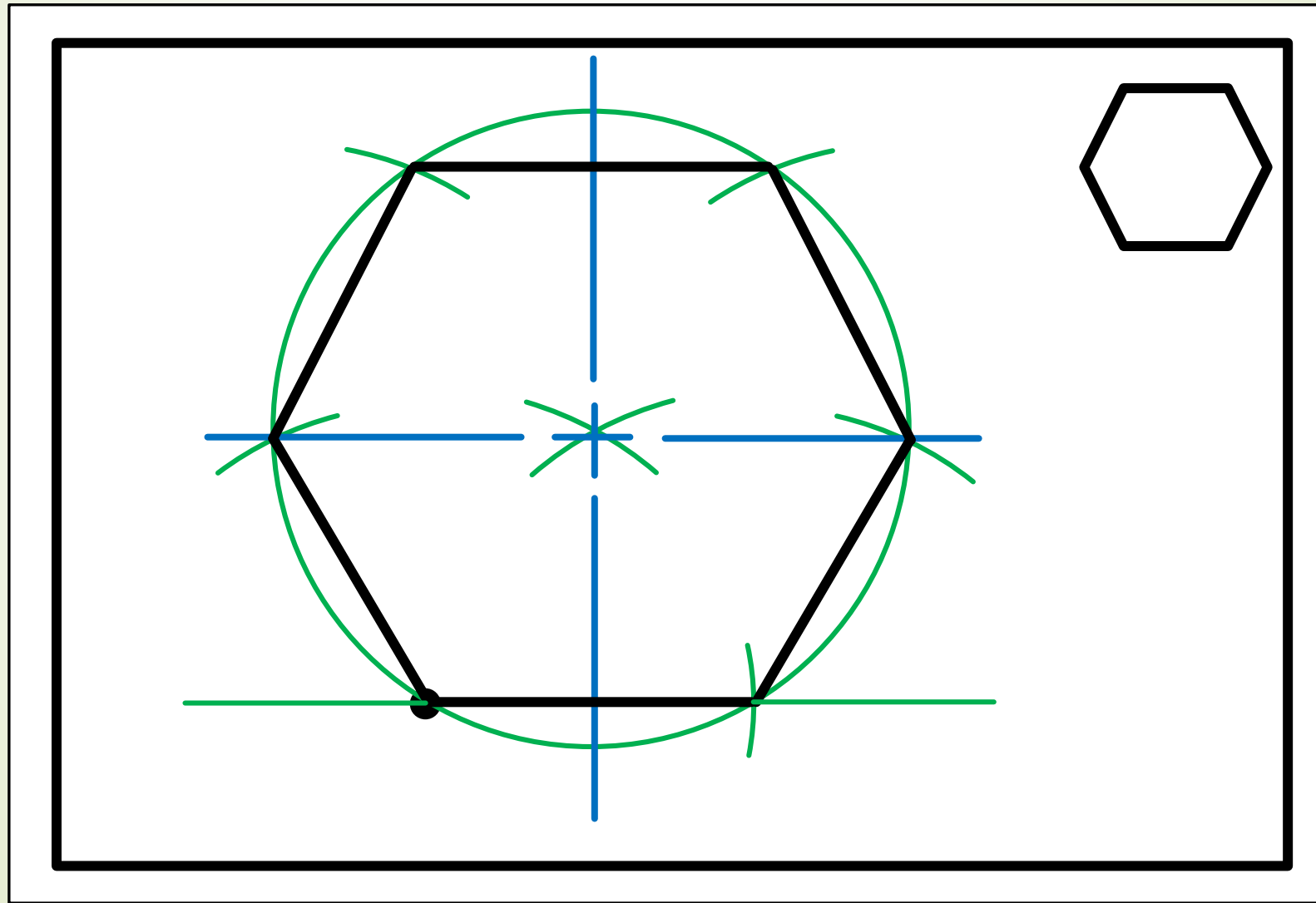
Constructing polygons

- Construction of a **hexagon** – **Circumscribed method**



Constructing polygons

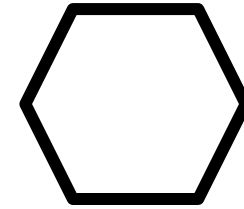
- Construction of a **hexagon** – **Circumscribed method**



Constructing polygons

- ➔ Construct a **hexagon** (6 sides)

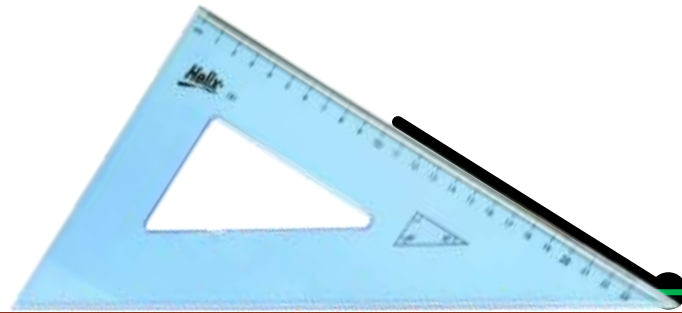
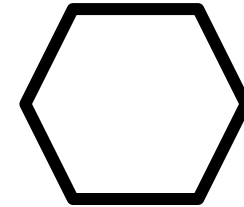
$$360^\circ \div 6 = 60^\circ$$



Constructing polygons

- ➔ Construct a **hexagon** (6 sides)

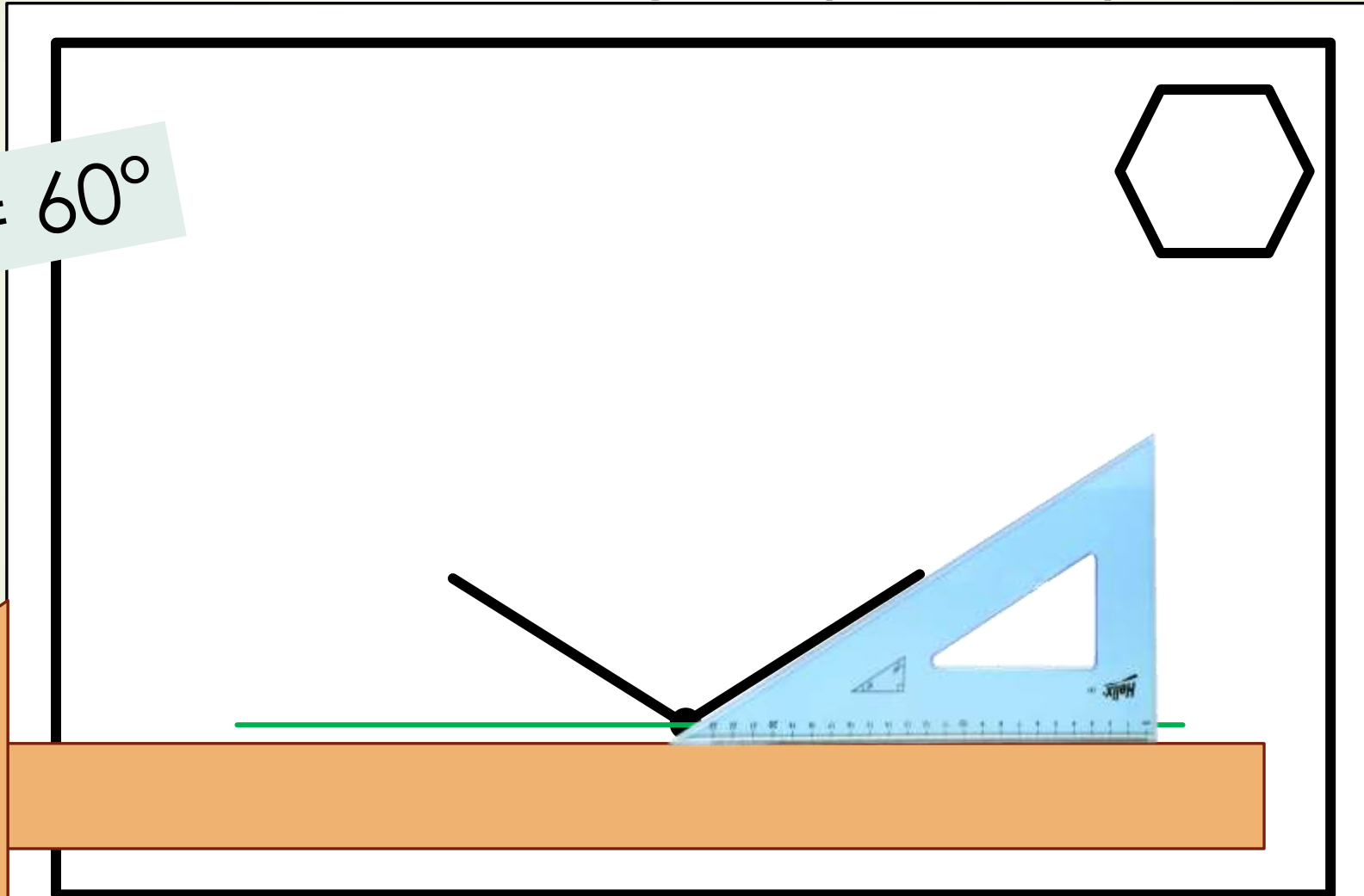
$$360^\circ \div 6 = 60^\circ$$



Constructing polygons

- ➔ Construct a **hexagon** (6 sides)

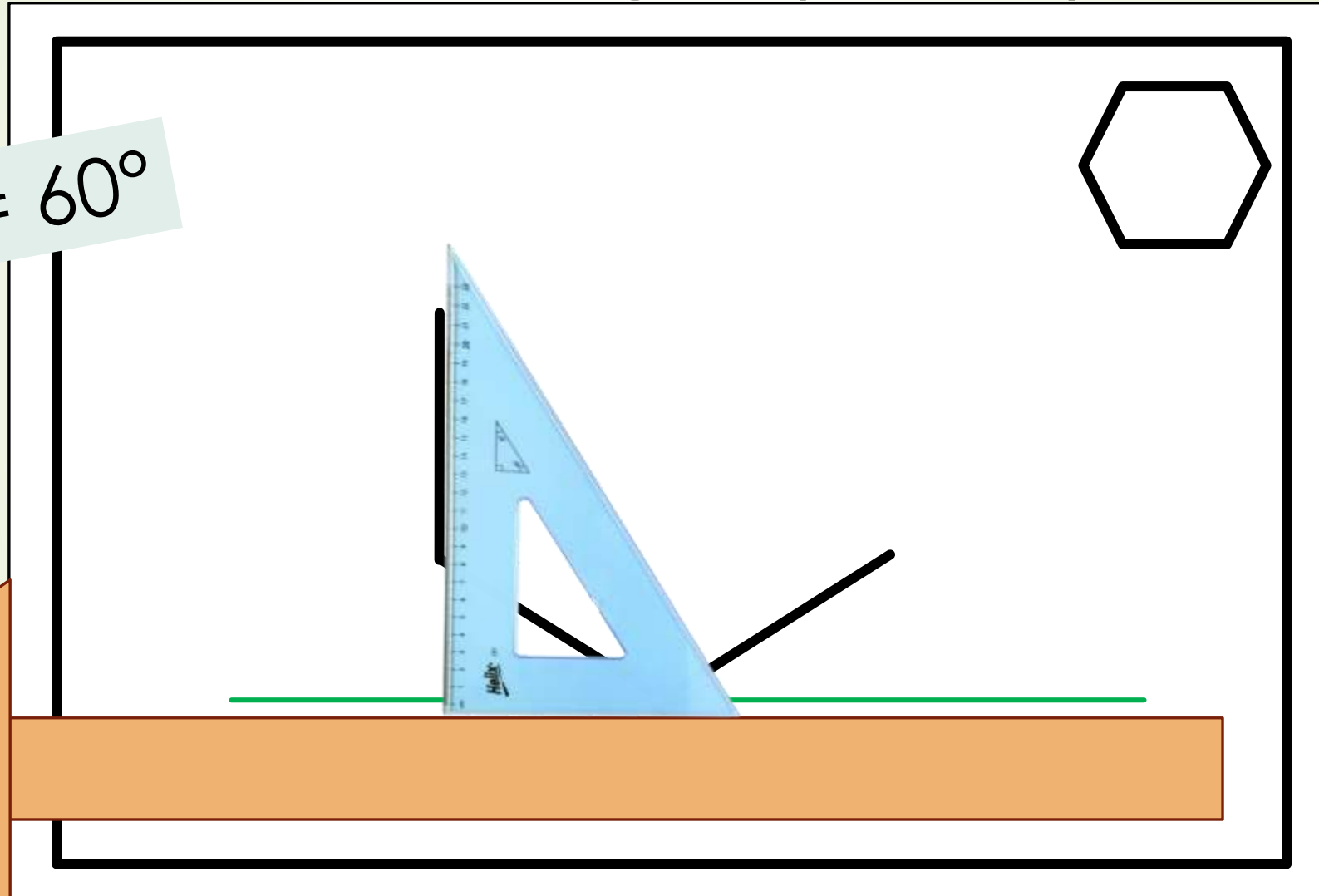
$$360^\circ \div 6 = 60^\circ$$



Constructing polygons

- ➔ Construct a **hexagon** (6 sides)

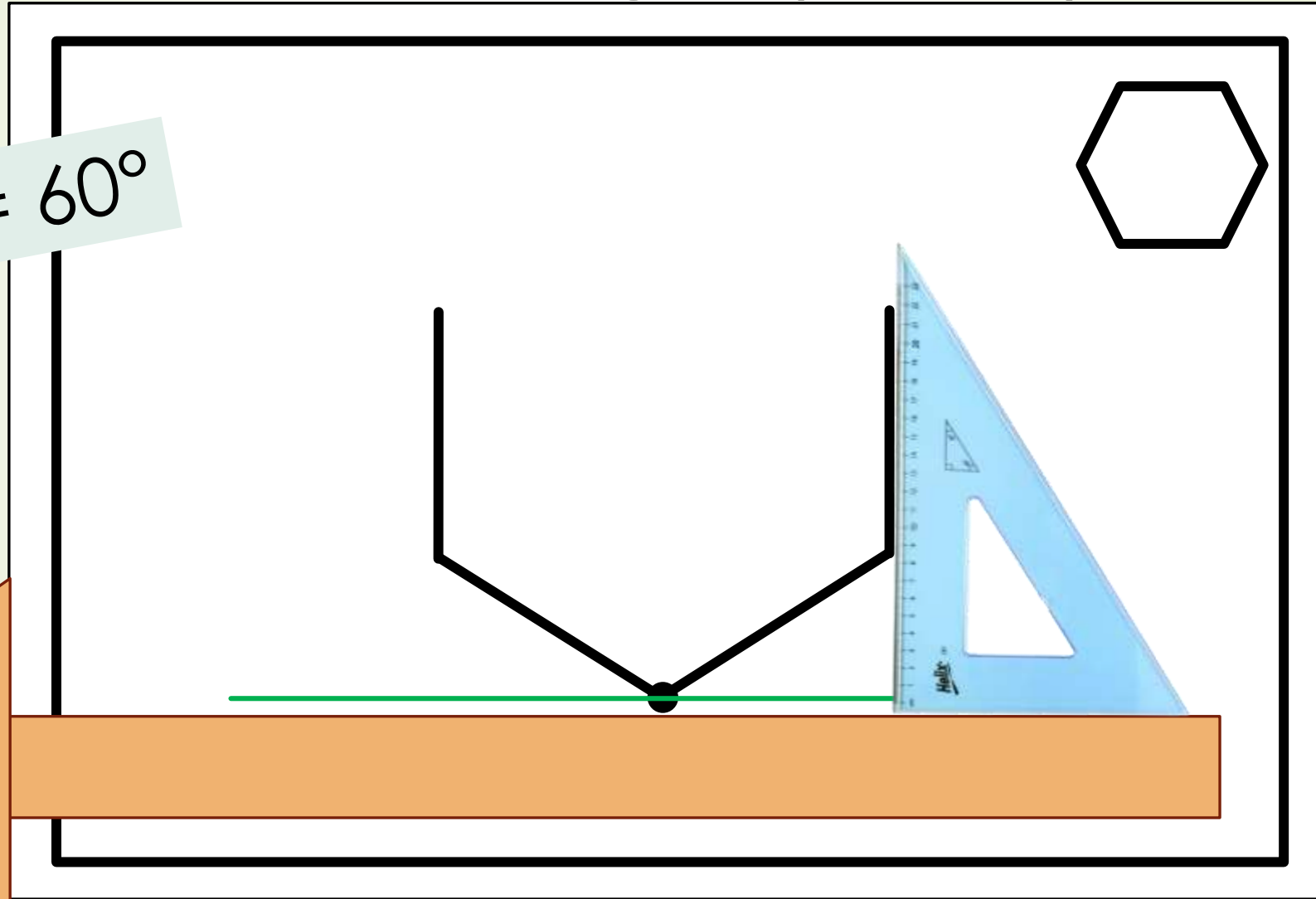
$$360^\circ \div 6 = 60^\circ$$



Constructing polygons

- ➔ Construct a **hexagon** (6 sides)

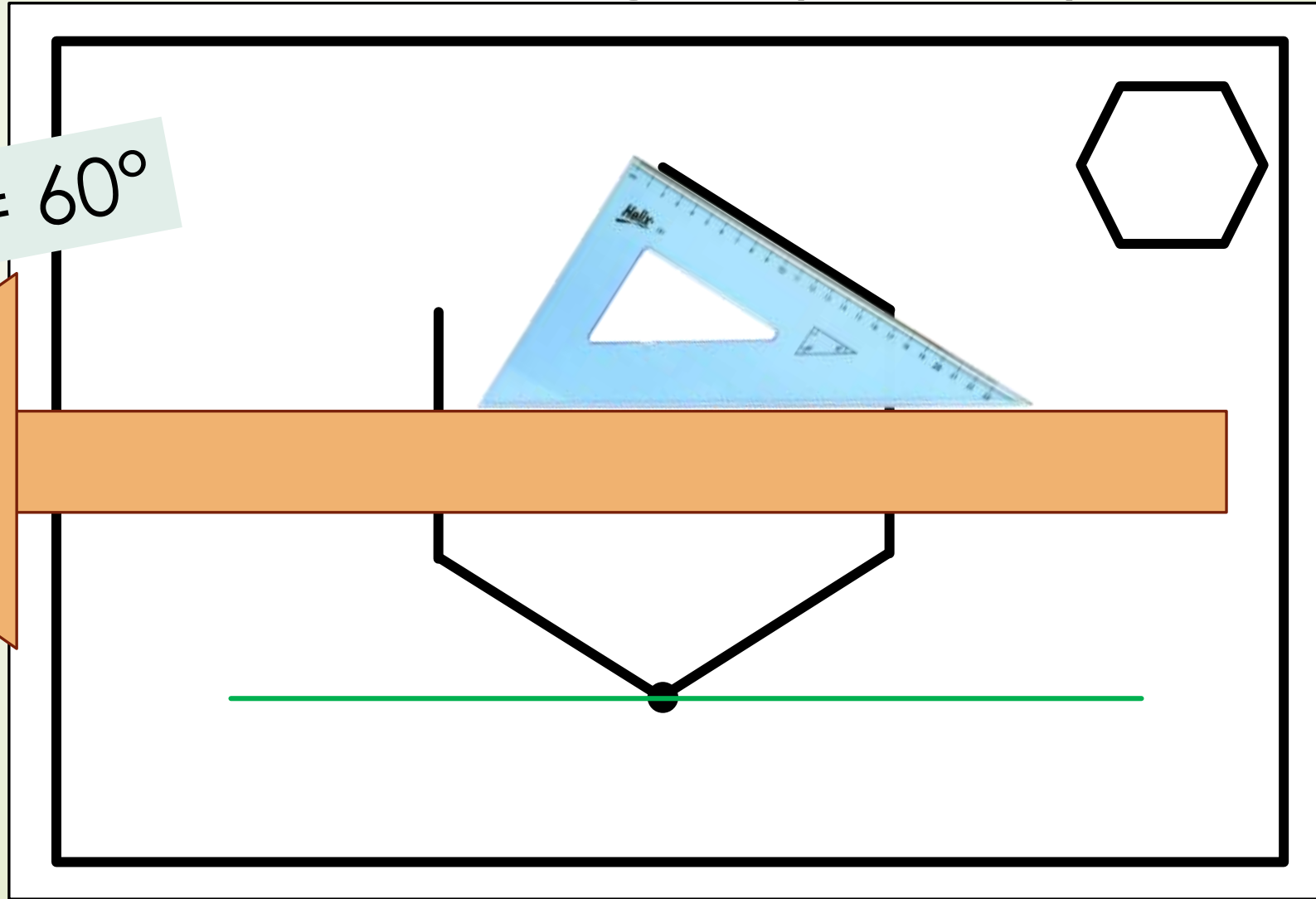
$$360^\circ \div 6 = 60^\circ$$



Constructing polygons

- ➔ Construct a **hexagon** (6 sides)

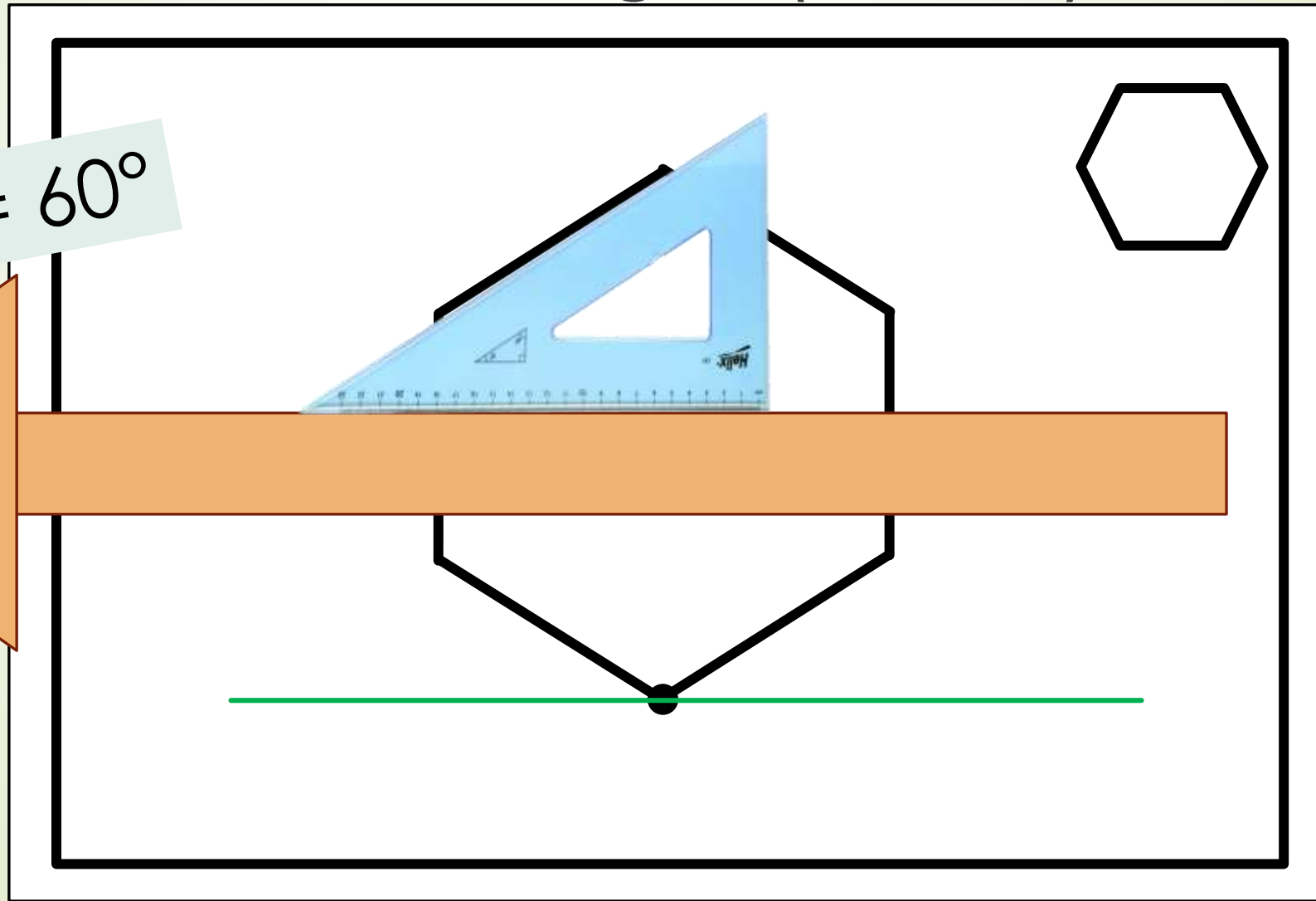
$$360^\circ \div 6 = 60^\circ$$



Constructing polygons

- ➔ Construct a **hexagon** (6 sides)

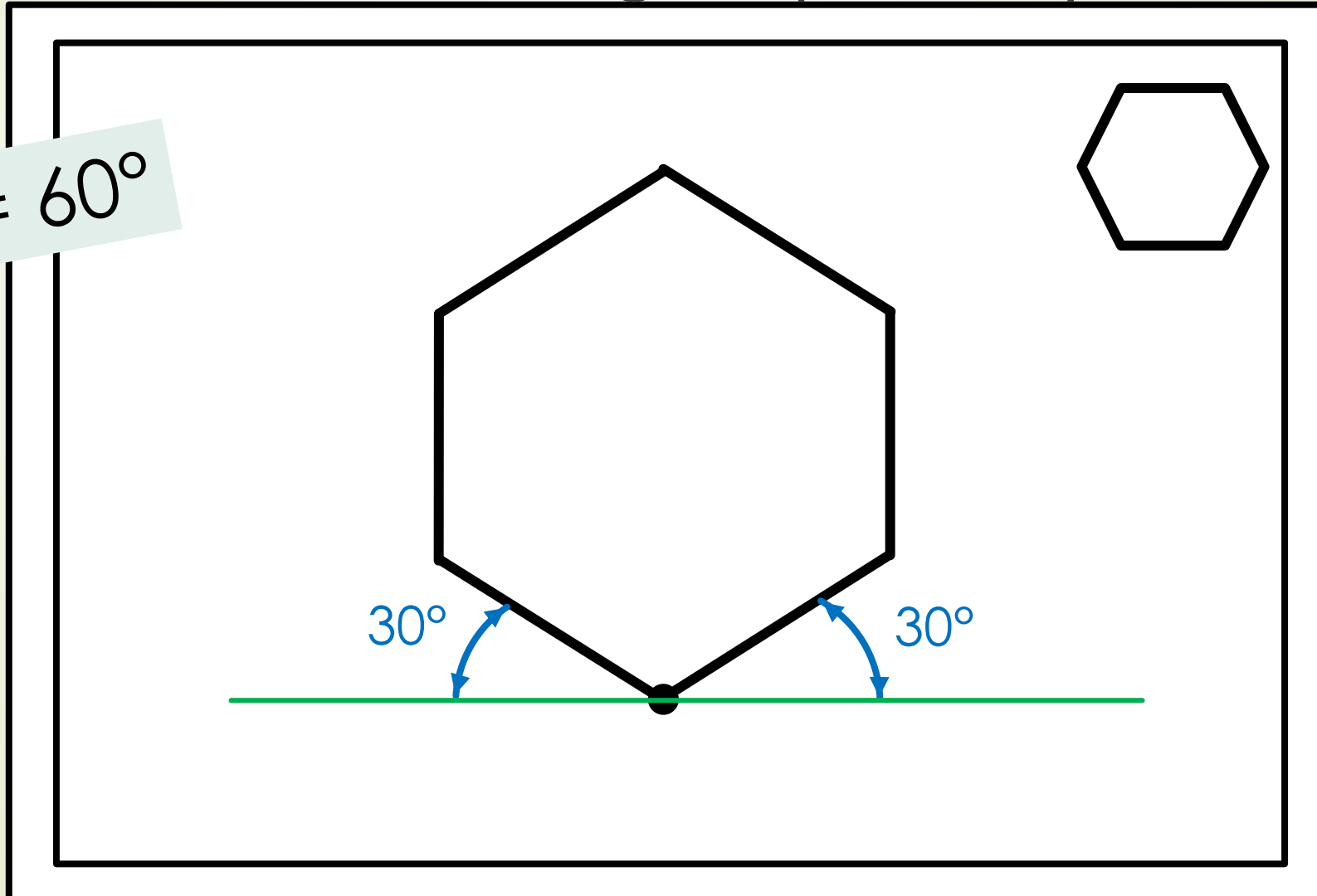
$$360^\circ \div 6 = 60^\circ$$



Constructing polygons

- ➔ Construct a **hexagon** (6 sides)

$$360^\circ \div 6 = 60^\circ$$



Constructing hexagones

Task 1.8.4

On the prepared A3 drawing sheet (Task 1.8.1), draw the following:

Question 1: Construct two separate hexagons ABCDEF with 40 mm side lengths. Draw a horizontal line and place one of the sides, parallel and on the horizontal line.

Name this task 1.8.4.1

Question 2: One of the side of the second hexagon should be standing at a 30° angle to a horizontal line.

Name this task 1.8.4.2

Show all construction lines.