



Constructing polygons

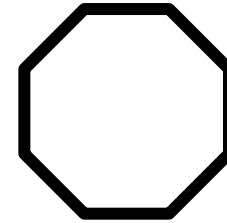
Octagon

Developed by: PC Viljoen
Senior Educational Specialist for
Engineering Graphics and Design
Free State Province

Constructing polygons

- ➔ Construct a **octagon** (8 sides)

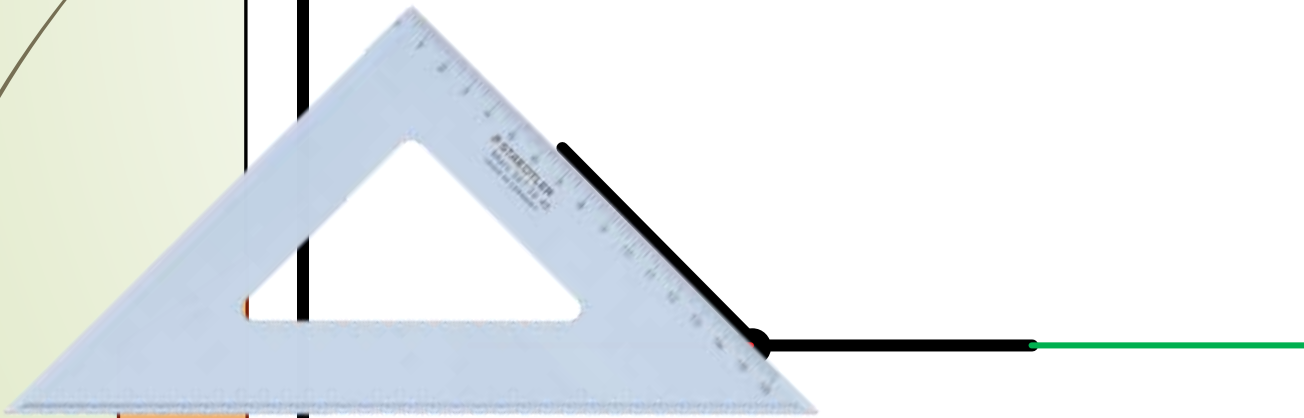
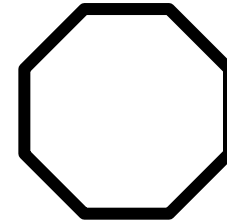
$$360^\circ \div 8 = 45^\circ$$



Constructing polygons

- ➔ Construct a **octagon** (8 sides)

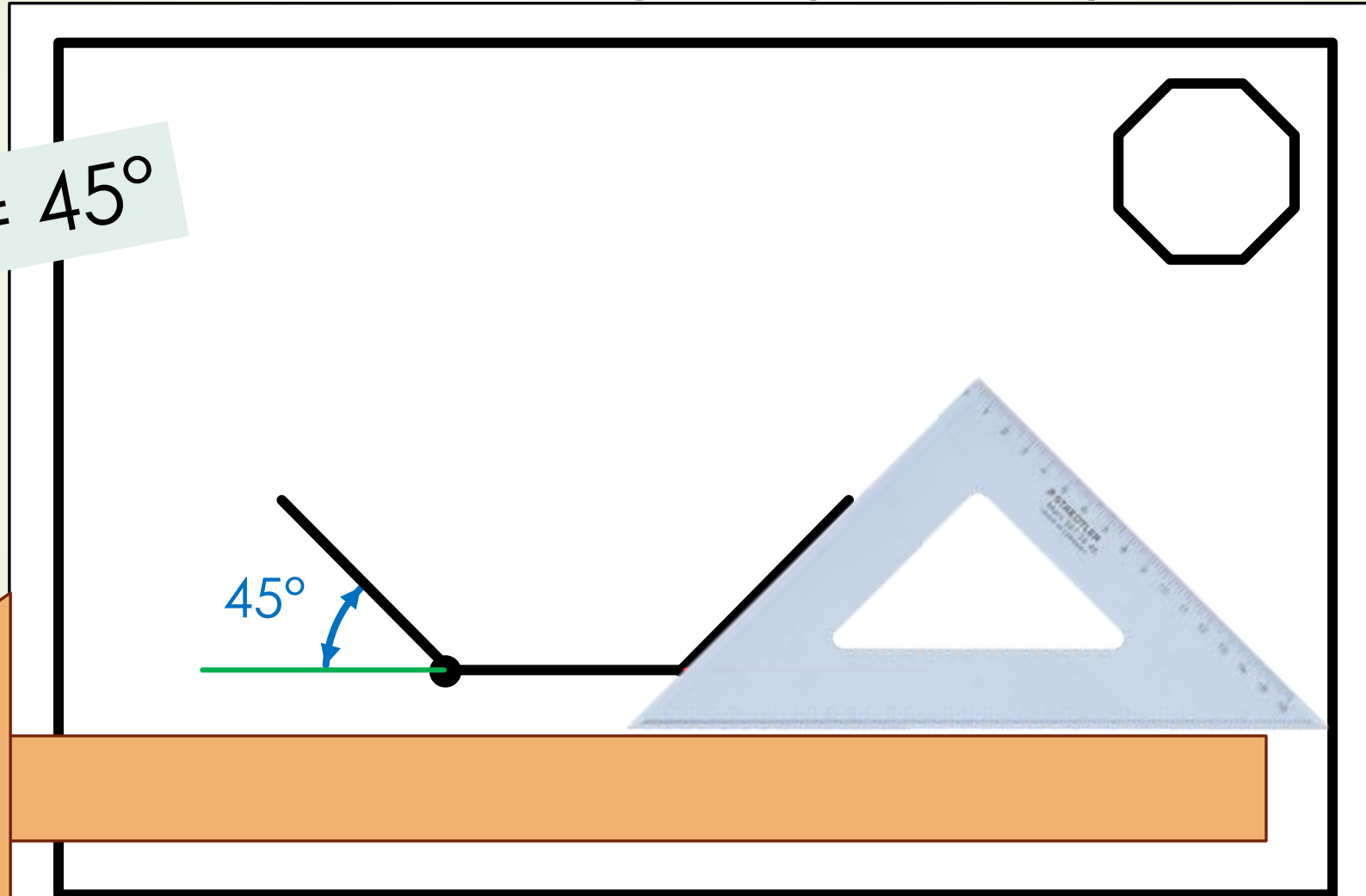
$$360^\circ \div 8 = 45^\circ$$



Constructing polygons

- ➔ Construct a **octagon** (8 sides)

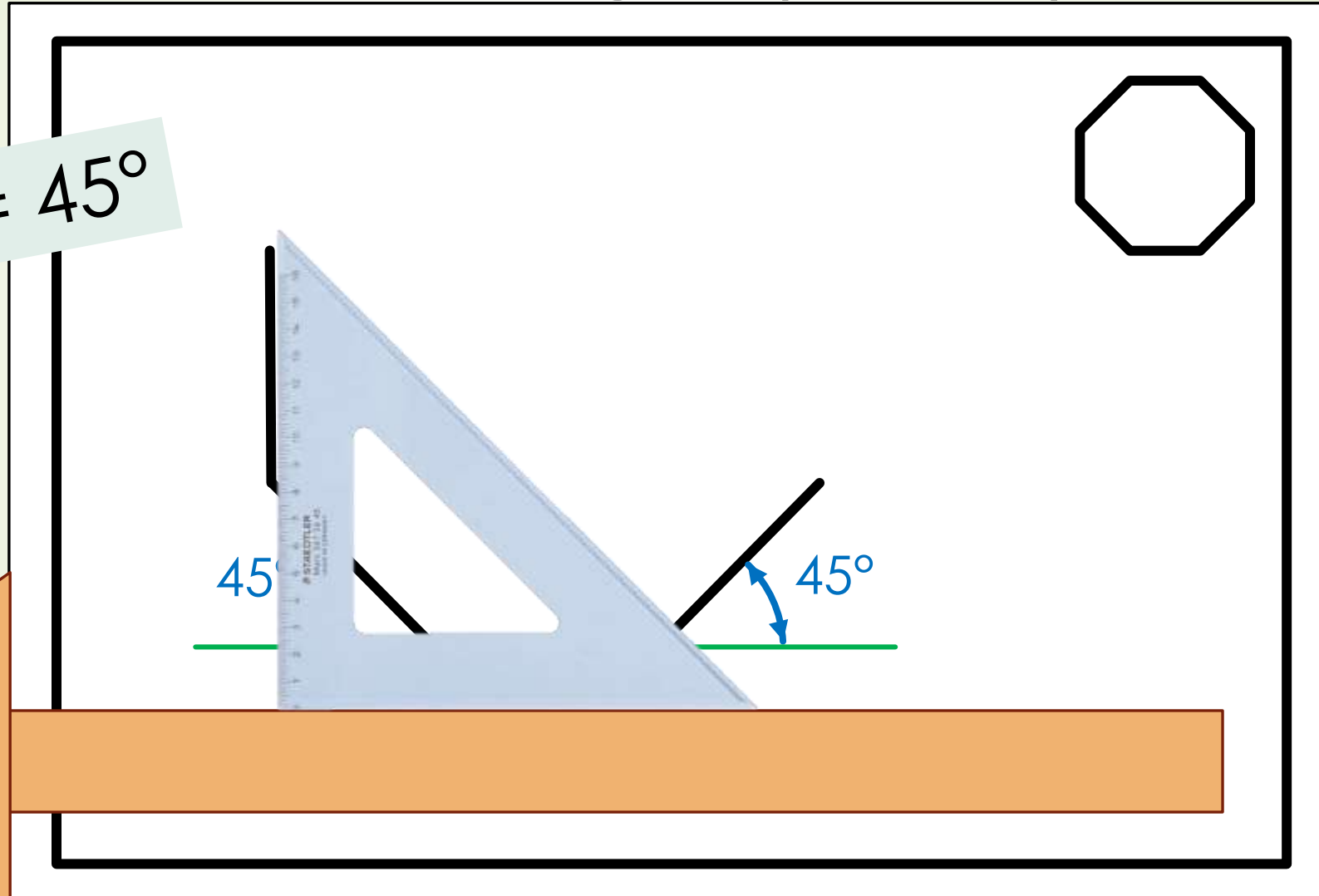
$$360^\circ \div 8 = 45^\circ$$



Constructing polygons

- ➔ Construct a **octagon** (8 sides)

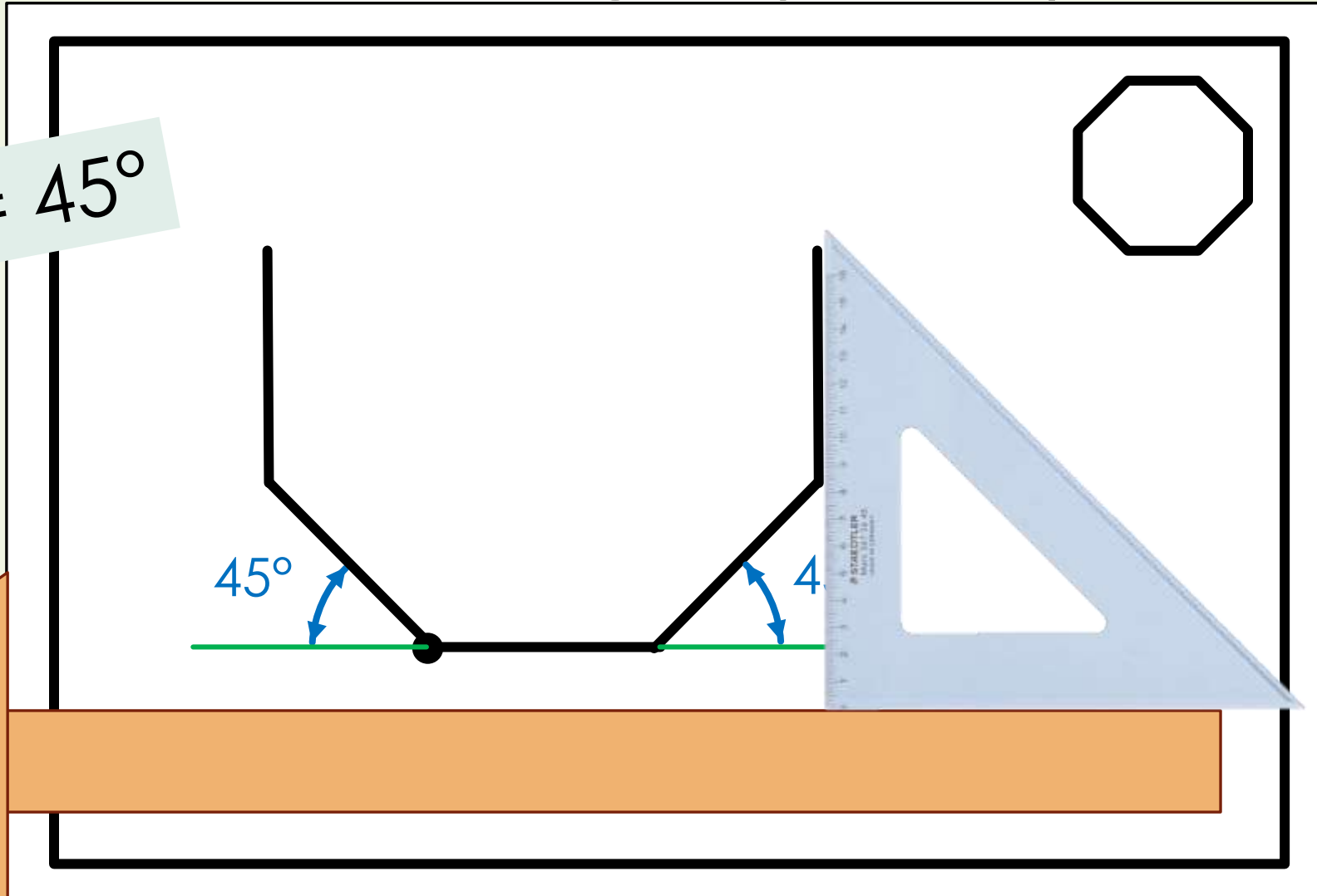
$$360^\circ \div 8 = 45^\circ$$



Constructing polygons

- ➔ Construct a **octagon** (8 sides)

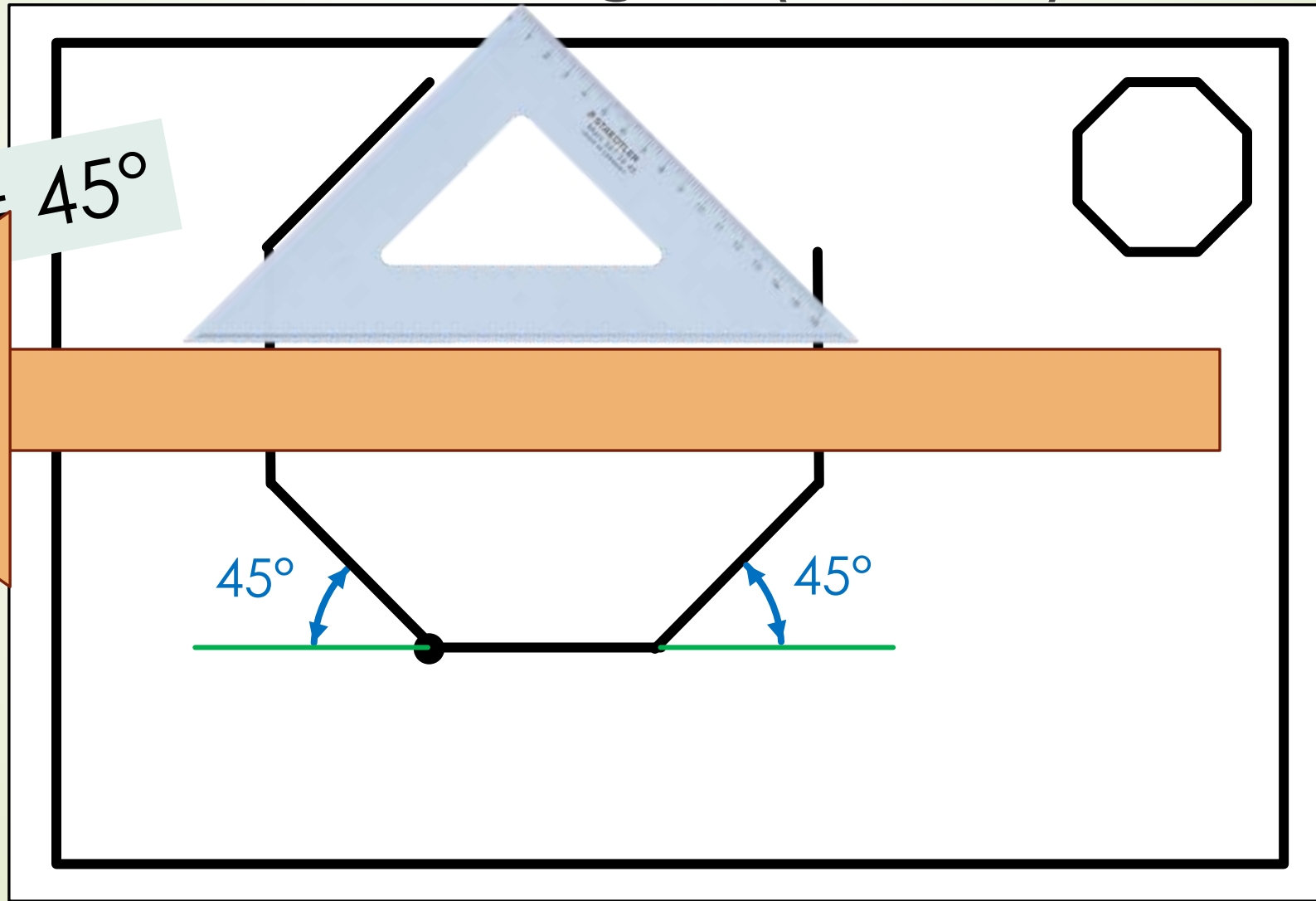
$$360^\circ \div 8 = 45^\circ$$



Constructing polygons

- ➔ Construct a **octagon** (8 sides)

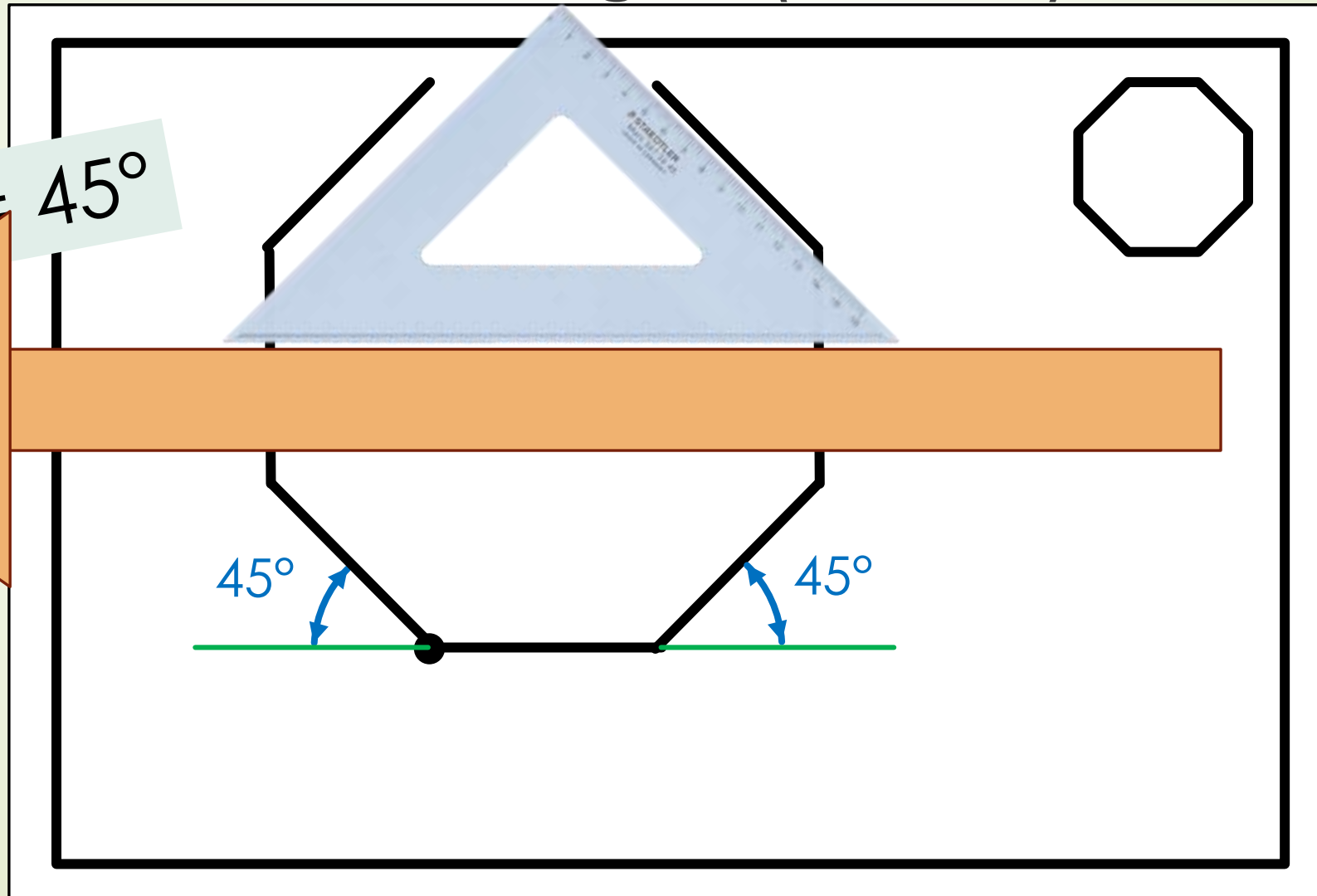
$$360^\circ \div 8 = 45^\circ$$



Constructing polygons

- ➔ Construct a **octagon** (8 sides)

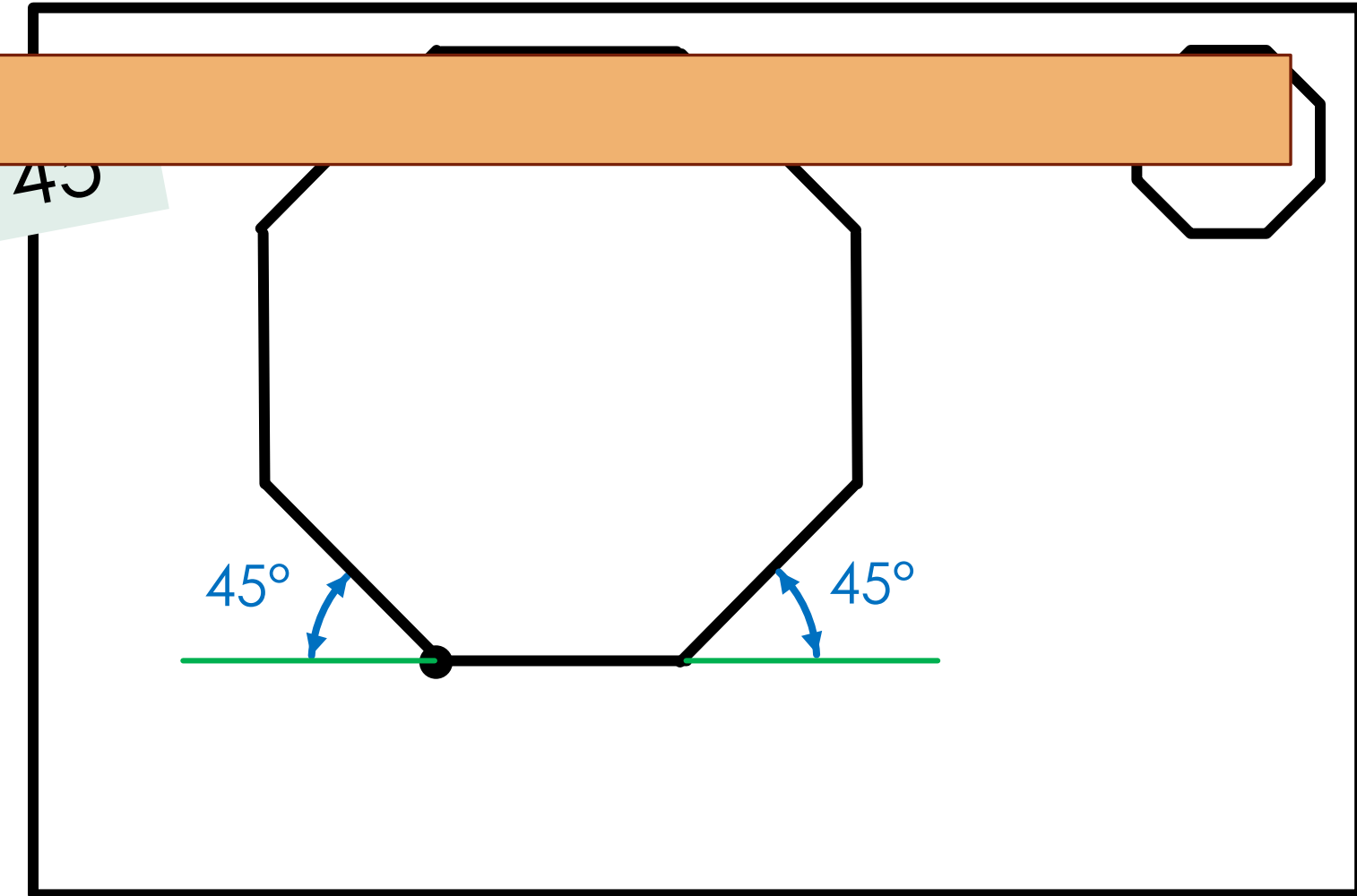
$$360^\circ \div 8 = 45^\circ$$



Constructing polygons

- Construct a **octagon** (8 sides)

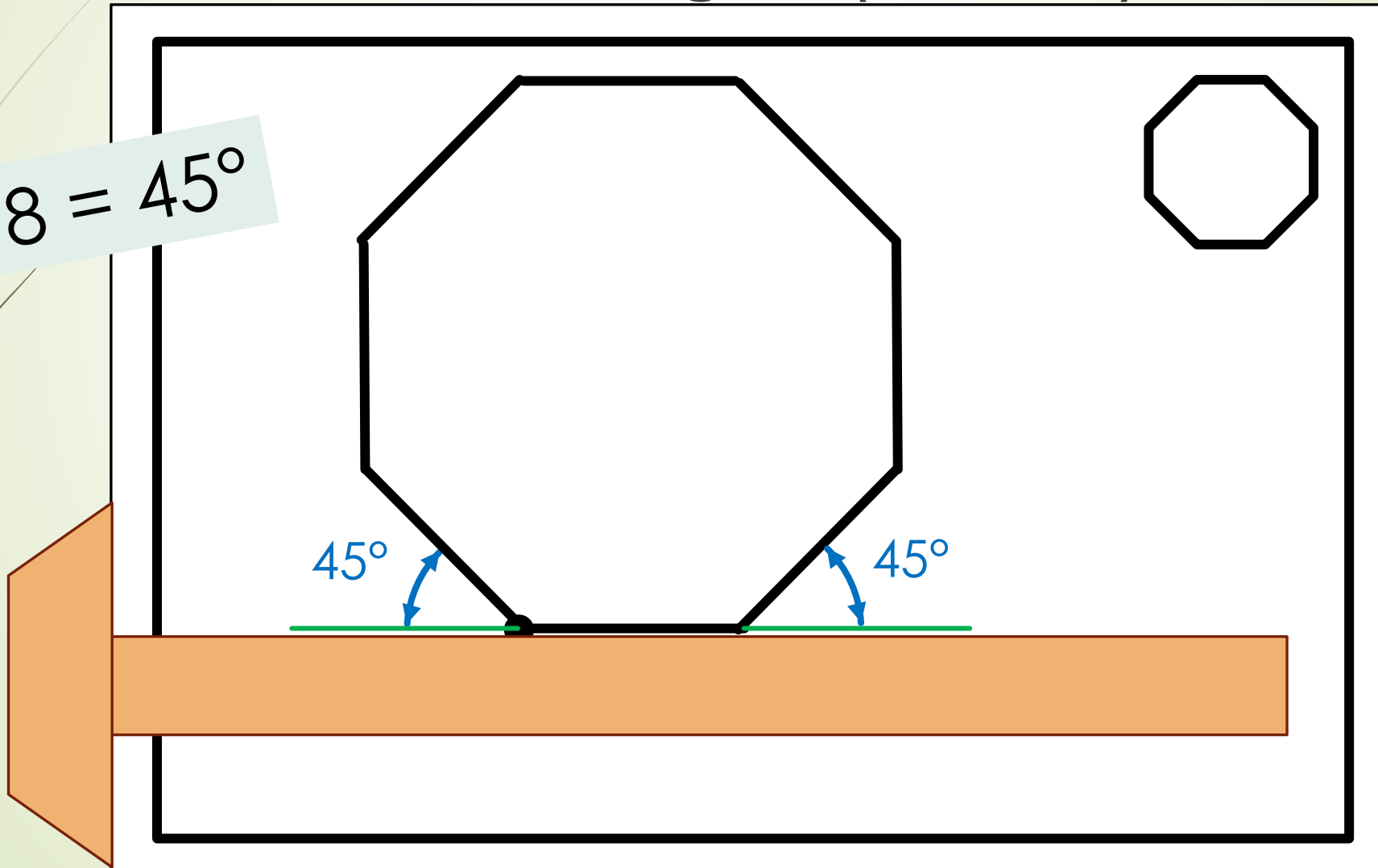
$$360^\circ \div 8 = 45^\circ$$



Constructing polygons

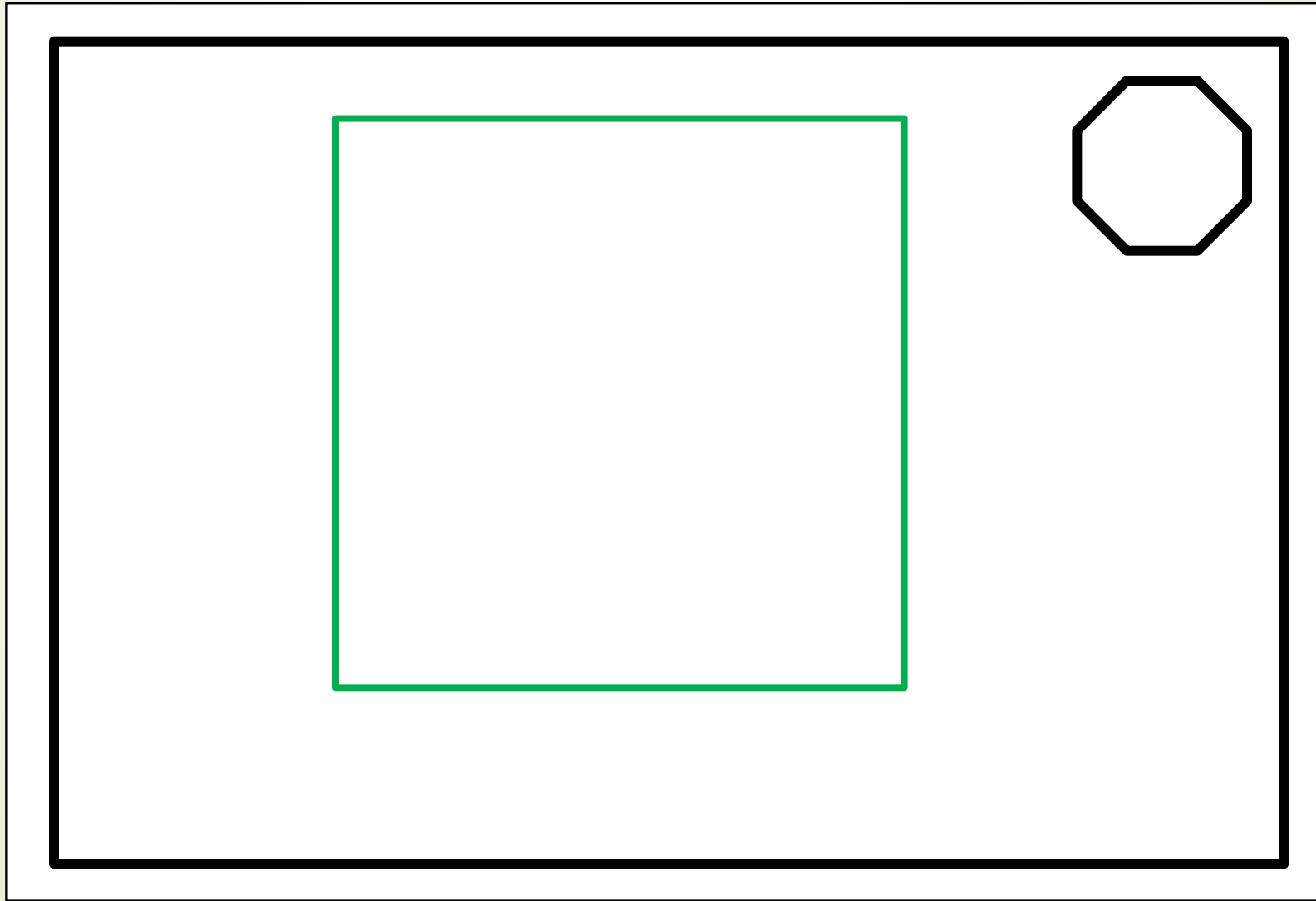
- Construct a **octagon** (8 sides)

$$360^\circ \div 8 = 45^\circ$$



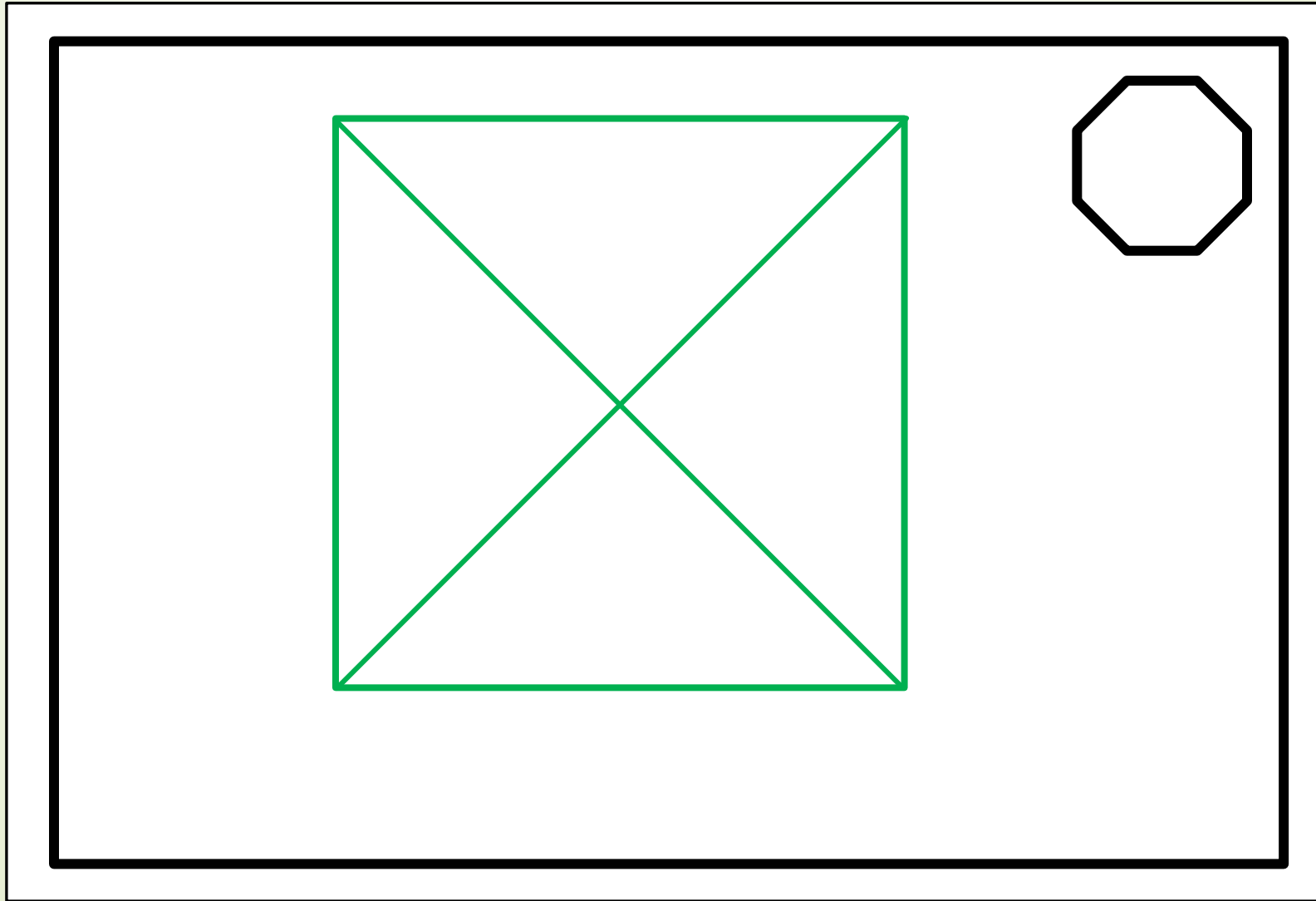
Constructing polygons

- Construction of a **octagon** – Block method



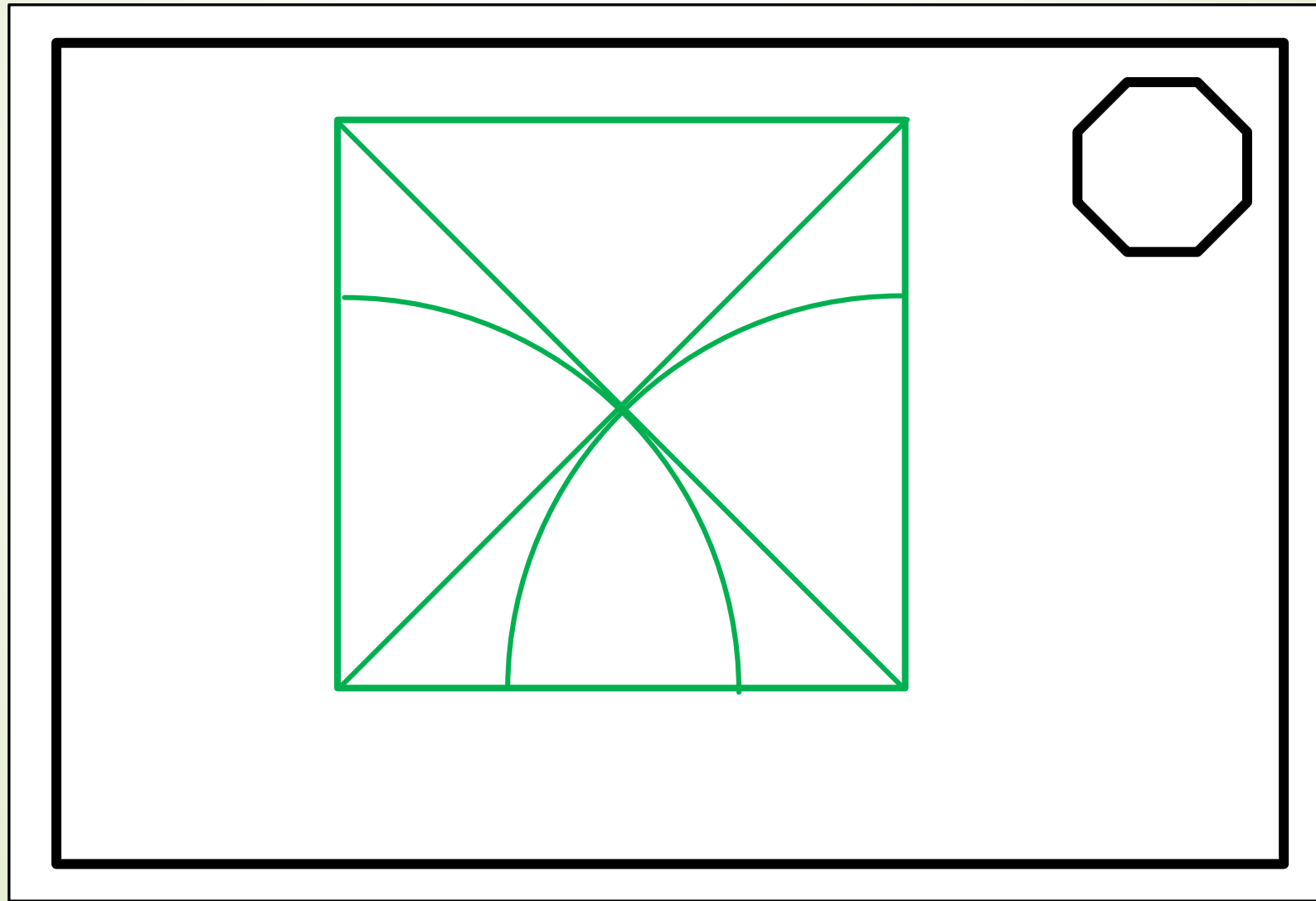
Constructing polygons

- Construction of a **octagon** – Block method



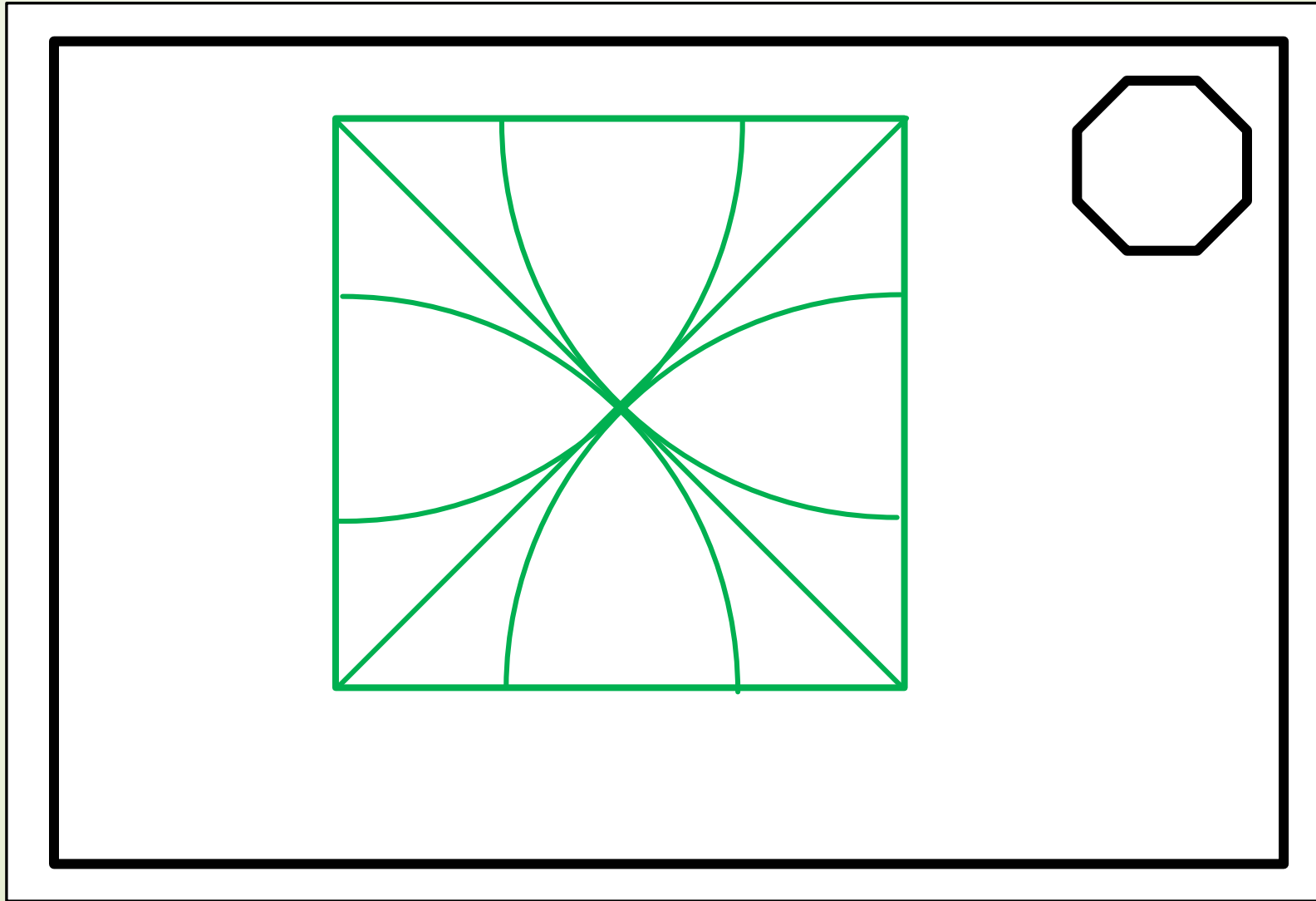
Constructing polygons

- Construction of a **octagon** – **Block method**



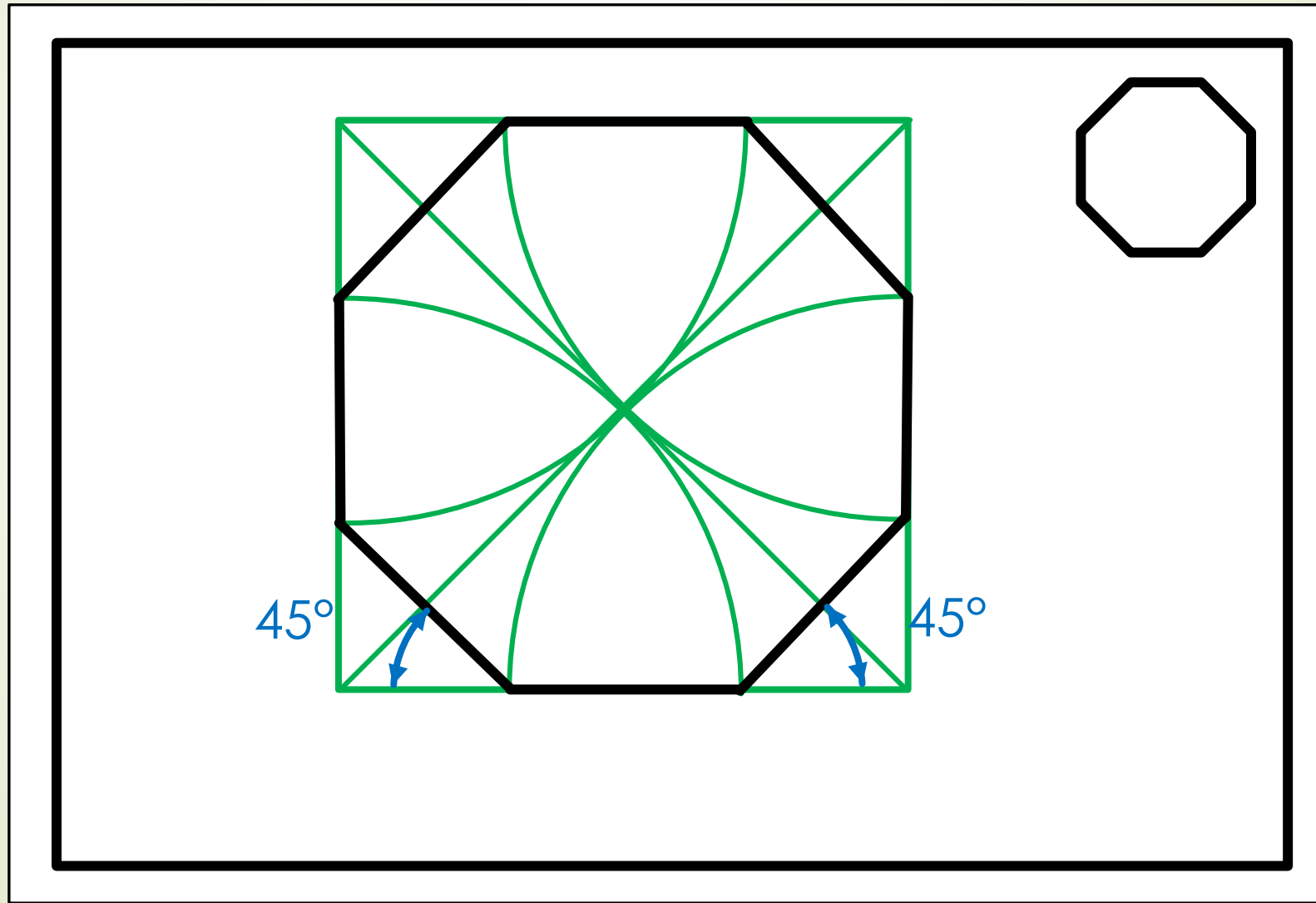
Constructing polygons

- Construction of a **octagon** – **Block method**



Constructing polygons

- Construction of a **octagon** – Block method



Constructing an octagon

Task 1.8.5

On the prepared A3 drawing sheet (Task 1.8.1), draw the following:

Question 1: Construct an octagon ABCDEFG with 35 mm side lengths. Draw a horizontal line and place one of the sides parallel and on the horizontal line.

Show all construction lines.

Name this task 1.8.5