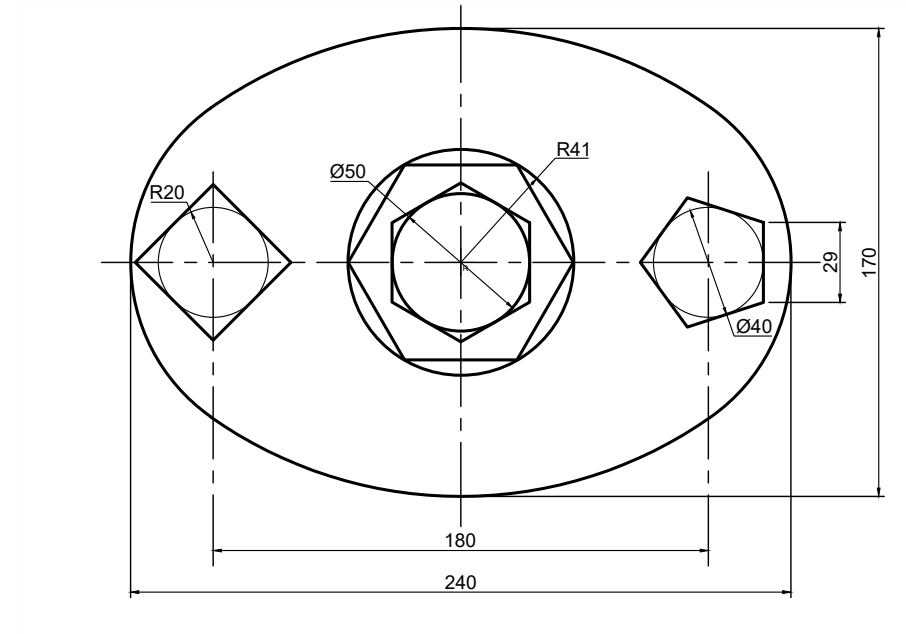


QUESTION 2: ELLIPSIS

Instructions:

- Copy the given figure to a scale 1 : 1.
- All constructions must be shown.
- Use the given point R as the start position



R

ASSESSMENT CRITERIA				
1	ELLIPSE (ANY METHOD)	10		
2	HEXAGONS	14		
3	PENTAGON	7		
4	SQUARE	6		
5	GENERAL	3		
TOTAL		40		



GEOMETRICAL CONSTRUCTIONS	ESTIMATED TIME FOR COMPLETION	35 MIN	GRADE 10	NAME & SURNAME		TASK 3.3	PAGE 15
	YOUR TIME OF COMPLETION	MIN					