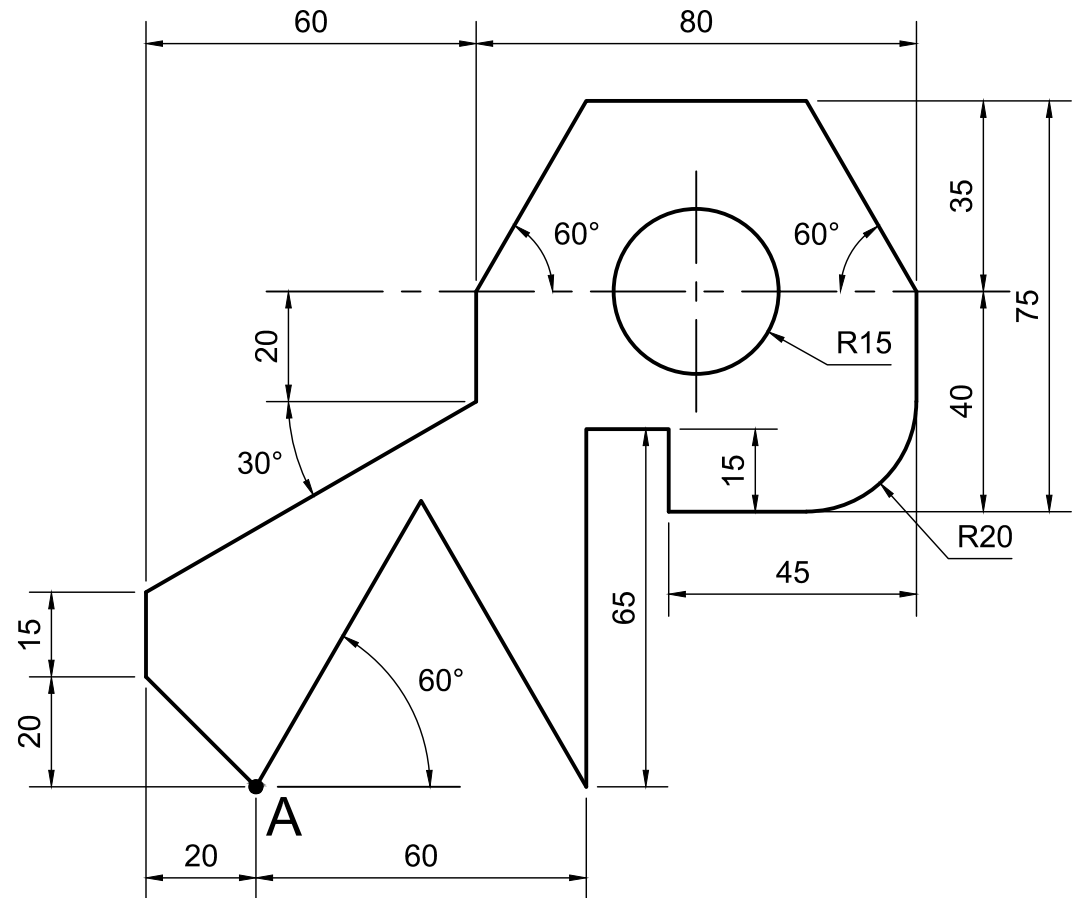




ENGINEERING GRAPHICS AND DESIGN
QUESTION 2

This question must be answered on diagram sheet 2 B.
 Diagram sheet 2 A shows a single dimensional drawing.
 Use your drawing instruments to copy the figure to a scale 1:1 on diagram sheet 2 B.
 You must use position A as the starting position.
 Draw four dimensions to the drawing.
 Show all construction lines.
 Any details or dimensions not given must be assumed in good proportion.

Sub total / Sub-totaal: (30 / 2) [15]



INGENIEURSGRAFIKA & ONTWERP ENGINEERING GRAPHICS & DESIGN	MAART 2017 MAART 2017	DIAGRAMVELVEL 2A DIAGRAM SHEET 2A	NAAM & VAN NAME & SURNAME	GRAAD GRADE	GRAAD GRADE
--------------------------------------------------------------	--------------------------	--------------------------------------	------------------------------	----------------	----------------