

3. NOTES: GRID BLOCK

Instruments: Lines are parallel to each other (Max 2).
Line quality: Continuous thin construction line quality (Max 1).
Accuracy: 10mm block sizes (Max 2).

4. NOTES: FREE HAND DRAWING

Free hand: Vehicle is drawn free hand (Max 2)
Line quality: Lines are continuous thick visible lines and according to SANS 10 111 standard (Max 4)
Accuracy: All lines are parallel and match with the lines of the given grid block (Max 4).

QUESTION 1: FREE HAND DRAWING

Given:

Diagram sheet 1 (page 2) shows an illustration of a vehicle drawn within a frame.

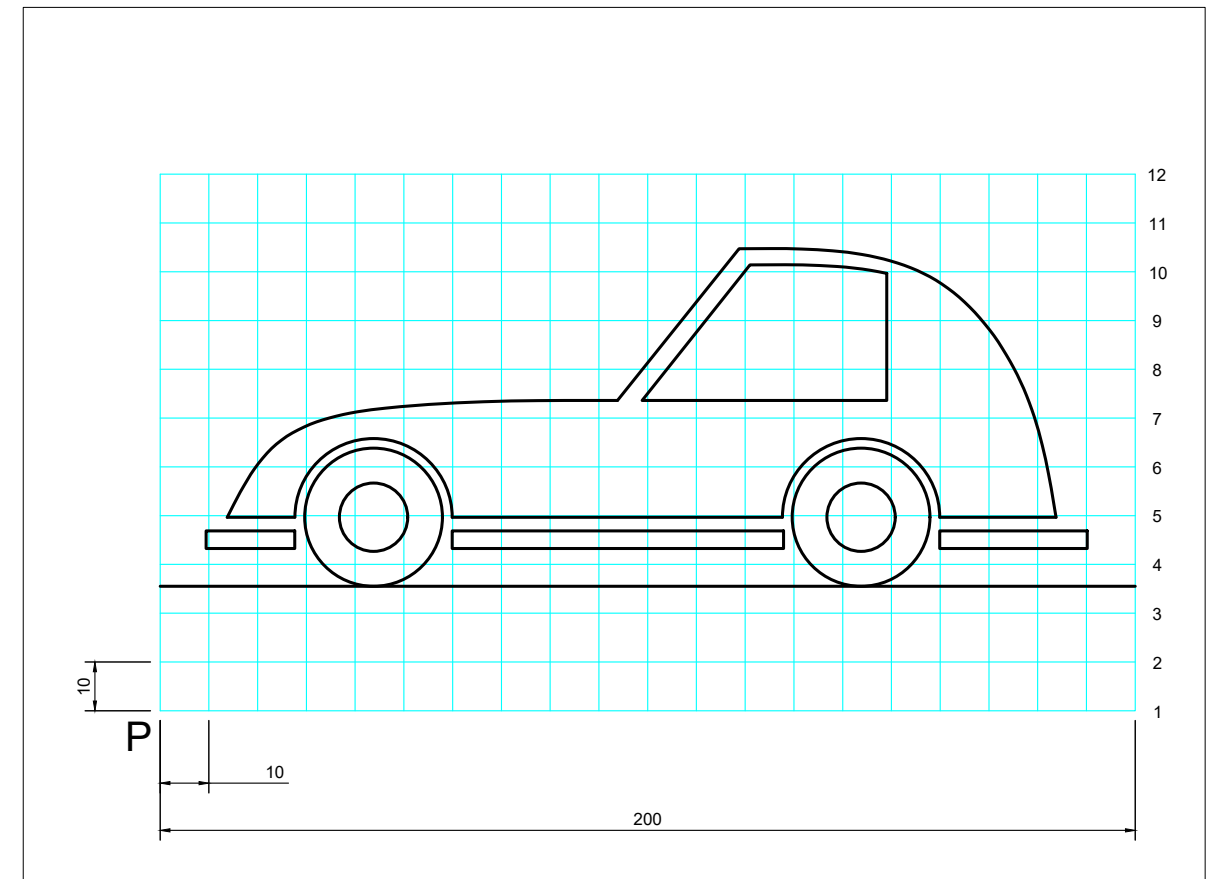
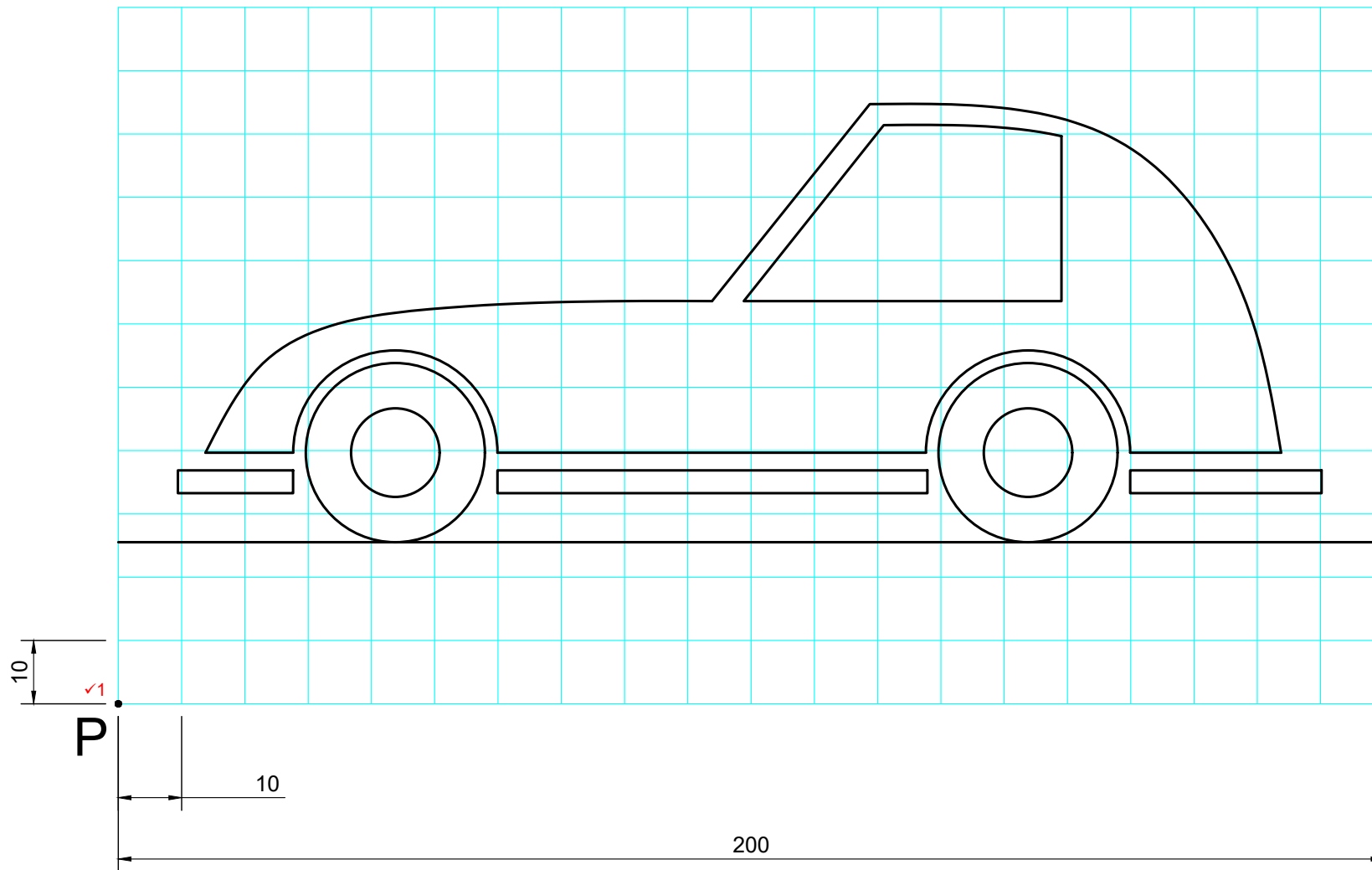
Instructions:

- 1.1. Use point P as the starting position.
- 1.2. Make use of your drawing instruments (T-square, ruler and set-square) and draw, according to a scale of 2:1 the given grid block. The line quality should be continuous thin lines.
- 1.3. In continuous thick (visible outline) line quality, copy FREE HAND, the given vehicle, by using the grid block method.

Note:

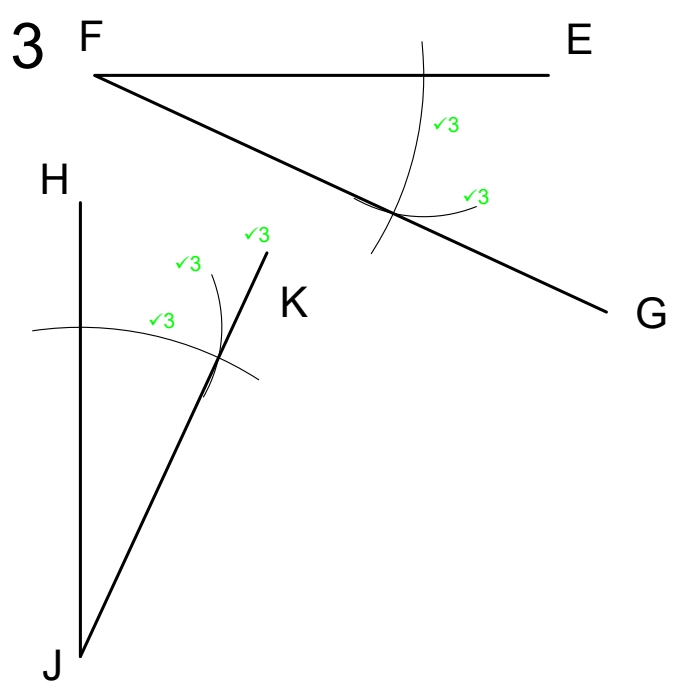
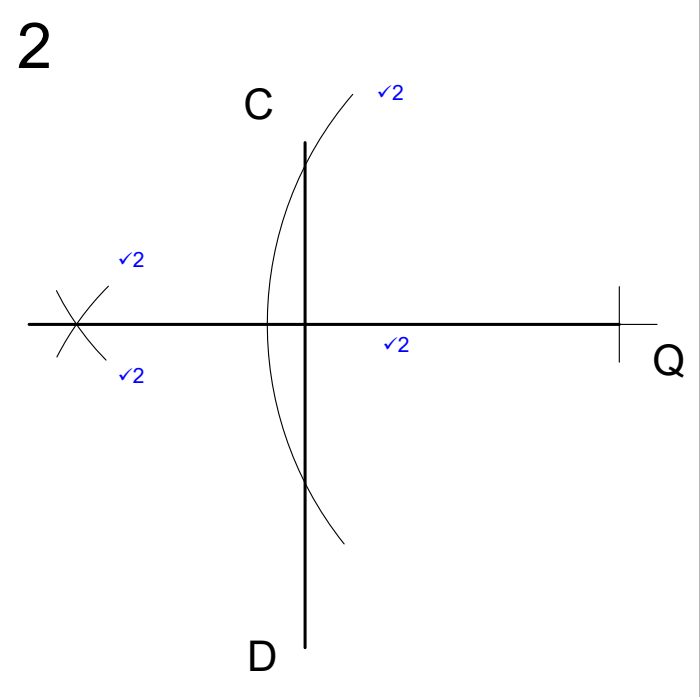
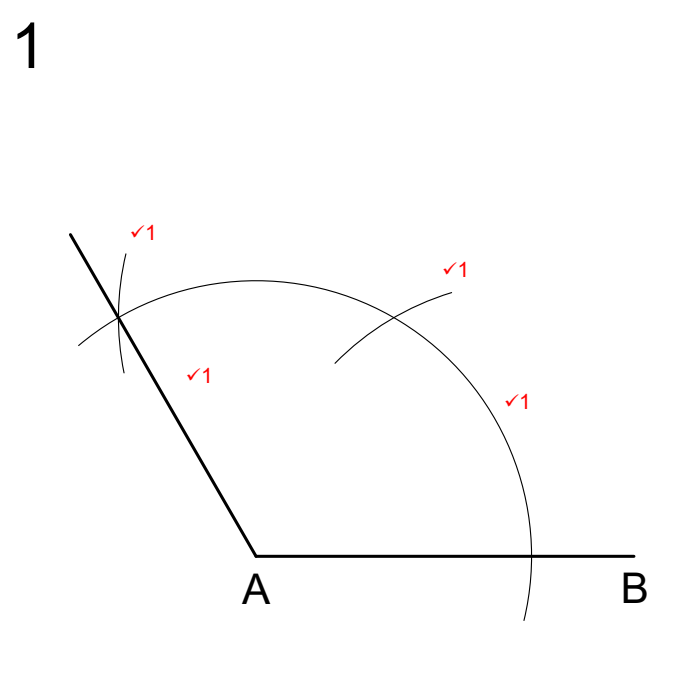
- Show all construction lines.

[18]



ASSESSMENT CRITERIA			
1	START POSITION	1	
2	CORRECT SCALE	2	
3	BLOCK	5	
4	FREE HAND DRAWING	10	
TOTAL		18	

NAME & SURNAME



QUESTION 2: GEOMETRICAL CONSTRUCTIONS

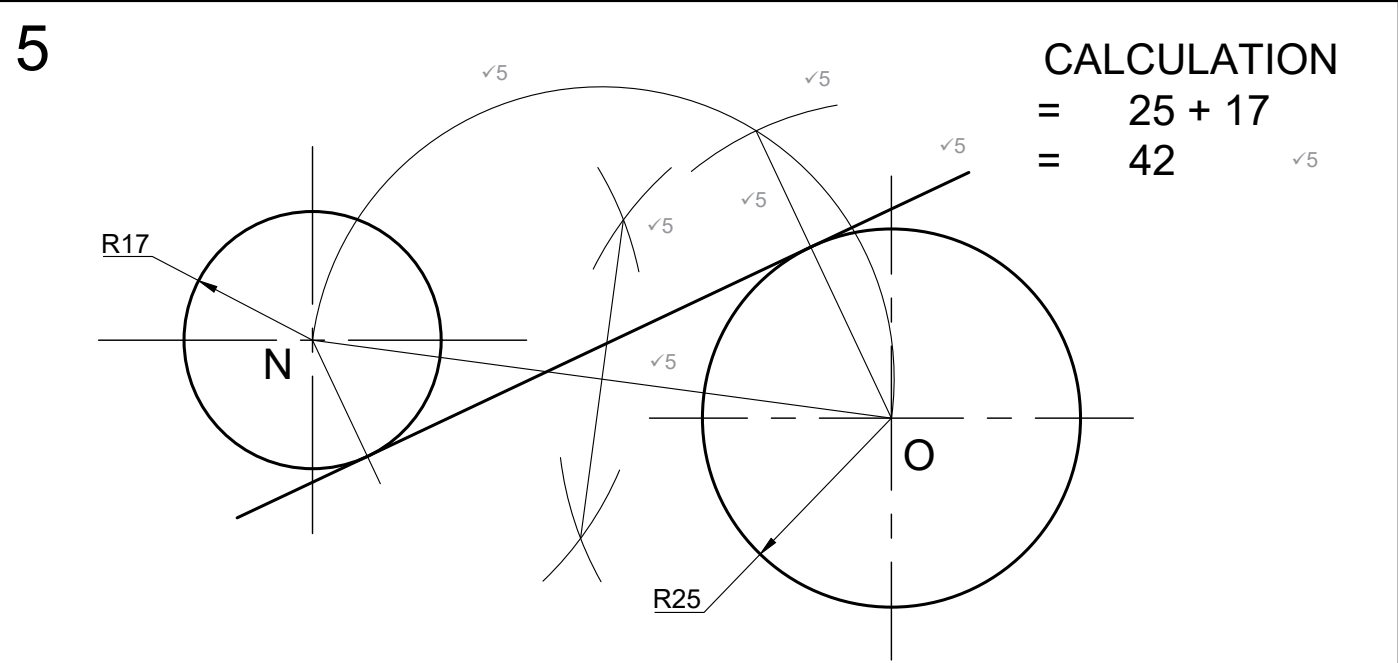
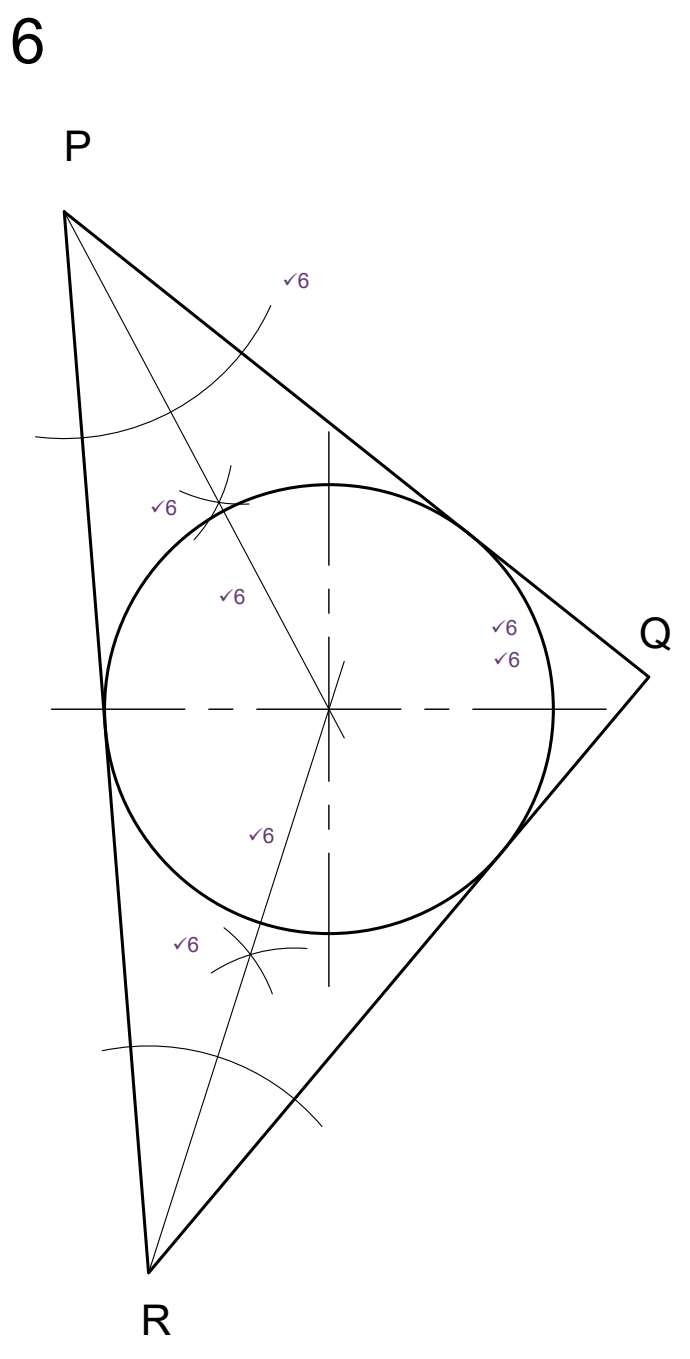
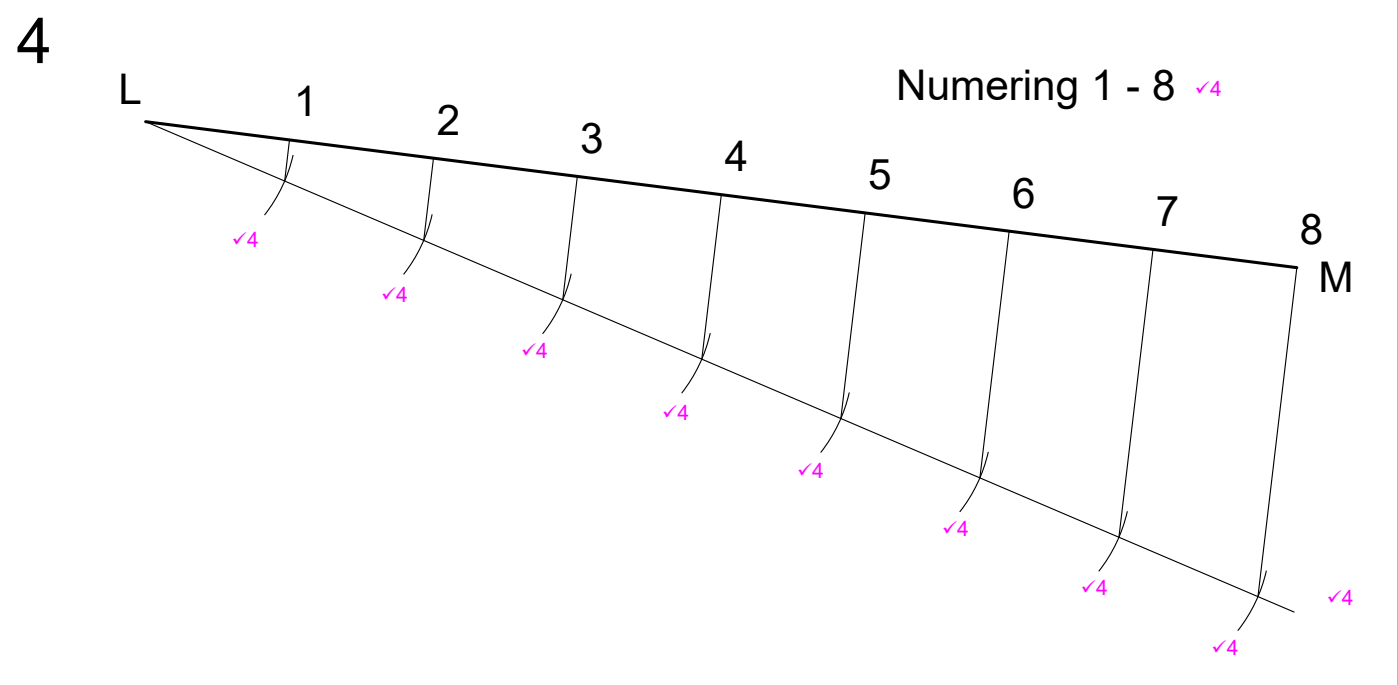
Given:
Diagram sheet 1 with a table of questions and instructions.

Instructions:
Complete the table below by answering the questions referring to the drawing work.

Note:
Show all construction lines

[42]

QUESTIONS			
1	In the given area marked 1, construct an angle of 120° starting from line segment AB.	3	
2	In the given area marked 2, construct an angle of 90° from point Q to line segment CD.	4	
3	In the given area marked 3, copy the given angle EFG by means of construction to line segment HJ to form angle HJK.	5	
4	In the given area marked 4, divide line segment LM in eight equal parts by means of construction. Number the parts 1 to 8.	10	
5	Use the given circle N & O at the given area marked 5. Construct an inscribed tangent in order to include the tangent internally to both circles. Show all calculations.	8	
6	Use the given triangle PQR in the area marked 6 and construct an inscribed circle within PQR.	8	
7	Use your drawing instruments and draw in the area marked 7, between A and B each of the required lines.	4	
TOTAL		42	



7a: A continuous thin (soft) line	v7	
a _____		b
7b: A thin short dashed line	v7	
a - - - - -		b
7c: A thin chain line	v7	
a - . - . - .		b
7d: A continuous thick (dark) line	v7	
a _____		b

NAME & SURNAME