

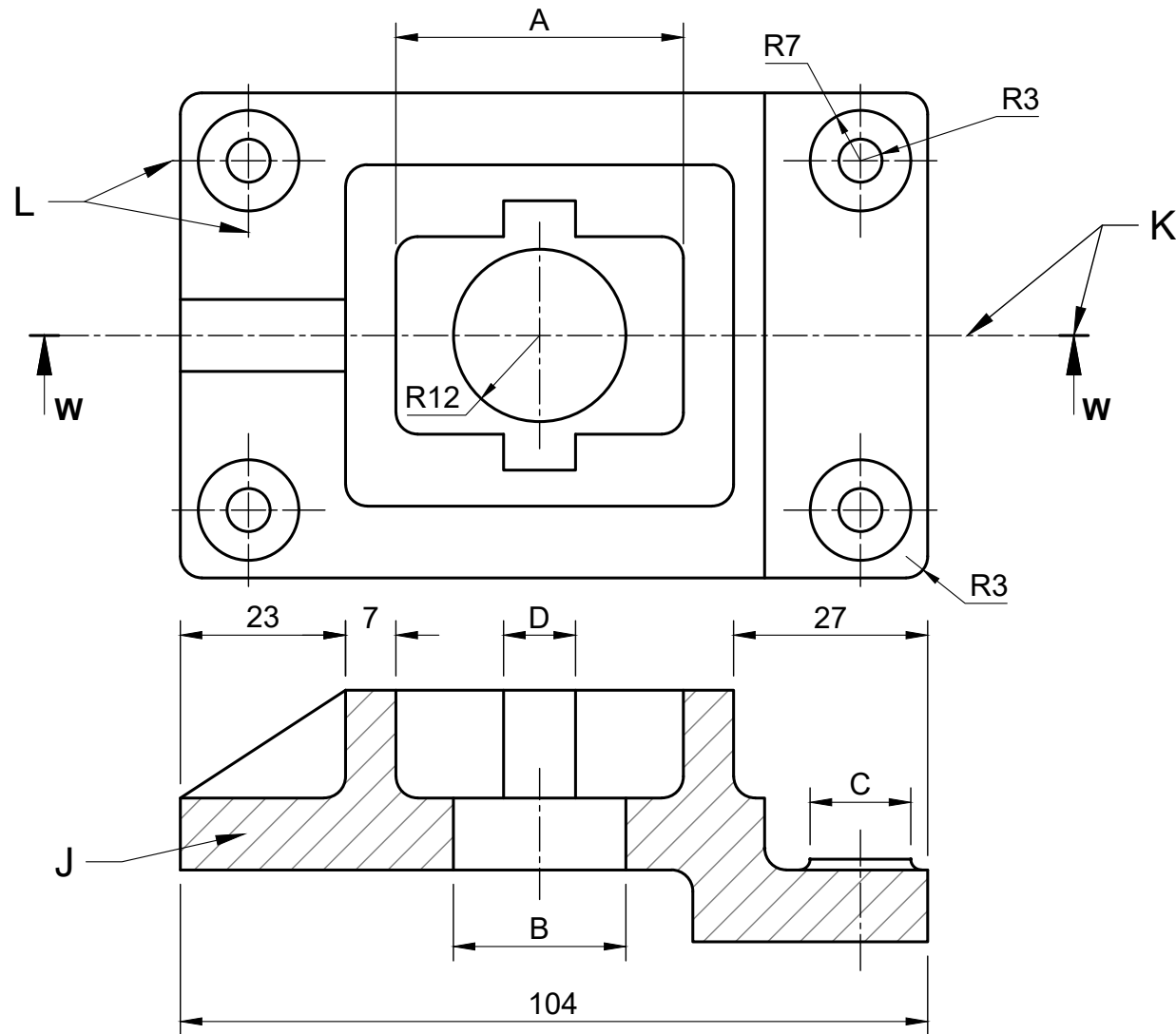
QUESTION 1: MECHANICAL ANALYTICAL

Given:

The working drawings of a mounting piece with a title block and a table of questions.

Instructions:

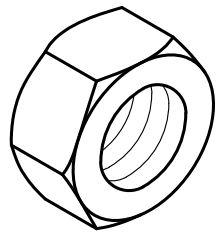
With a pencil, complete the table by neatly printing the correct answers in the corresponding answer column. All the questions refer to the accompanying drawings and the title block. [24]



QUESTIONS		ANSWERS	
1	On what date was the drawing drawn?	1	
2	Who approved the drawing?	1	
3	Who has reviewed the hatching detail?	1	
4	Which CAD program is used to draw the drawing?	1	
5	Which company drew the drawing?	1	
6	Which material must be used to manufacture the mounting piece?	1	
7	In which orthographic projection is this drawing drawn?	1	
8	How many holes are there in the mounting piece?	1	
9	Determine the dimensions at A, B, C & D.	4	
10	Name the features at J, K & L.	3	
11	What is the scale of the drawing?	1	
12	Draw in freehand the symbol of the orthographic projection used.	8	
TOTAAL		24	

DESTINY ENGINEERING
(SA) (EDMS. BPK)
www.destinydrawings.com
051 697 4210

SEVENTH AVENUE 5012
BOKSBURG
9499



GENERAL INFORMATION

MATERIAL: ALUMINUM
DRAWING SOFTWARE: AUTOCAD 2016
DRAWING NUMBER: DSTNY - WF 131
FILE NAME: SR: WF- 131
SCALE 1 : 2

TEAM OF CO-WORKERS

DRAFTSMEN: JAPIE 11/16/2016
CHECKED BY: JAKOBUS 21/11/2016
APPROVED BY: PHILLIP 11/30/2016

ADJUSTMENTS

Nu	DATE	CHANGED BY	DESCRIPTION OF CHANGES
1	2018/08/12	JOHANN	MACHINING VALUE
2	2018/09/01	VERNON	HATCHING DETAIL
3	2018/09/10	KALLIE	PLACE SPOTFACE
4			
5			

PROJECTION SYMBOL



MOUNTING PIECE

MECHANICAL ANALYTICAL

ESTIMATED TIME FOR COMPLETION 15 MIN
YOUR TIME OF COMPLETION MIN

GRADE 10

NAME & SURNAME

TASK 4.1
PAGE 16