

**MECHANICAL DRAWING**

**GIVEN:**

- An isometric drawing of a casting.
- The arrow indicating the direction of the front view.

**INSTRUCTION:**

Answer this question on the given drawing sheet.  
 Draw to scale 1 : 1 and in third angle orthographic projection, the following views of the casting.

- A front view seen from the direction of the arrow as shown on the isometric view.
- A top view.
- A left view.

**NOTE:**

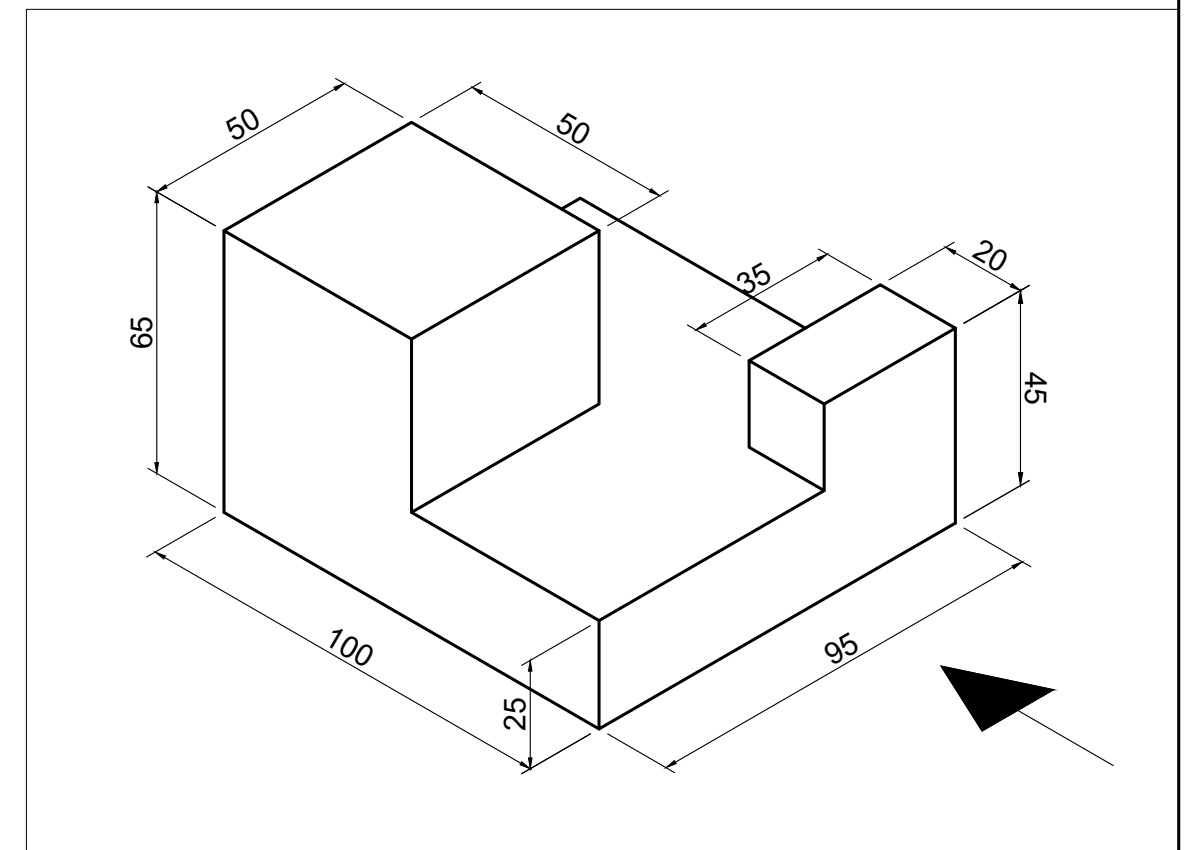
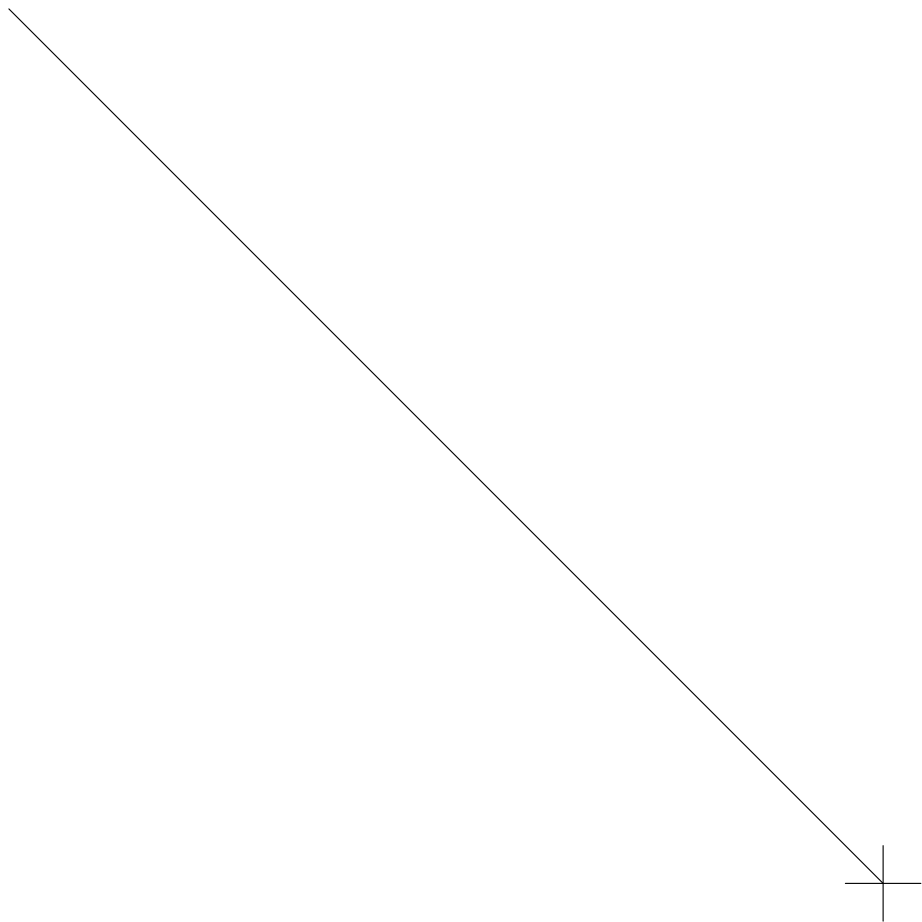
- This drawing must comply with the SANS 10111 standards.
- Show all hidden detail.

Show the following on the drawing:

- The projection system symbol used for this drawing.
- Between 5 mm guidelines, supply the drawing of a title and scale at the designated title block area

CASTING  
 SCALE 1 : 1

[31]



ASSESSMENT CRITERIA			
1	FRONT VIEW	9	
2	TOP VIEW	8	
3	LEFT VIEW	9	
4	PROJECTION SYMBOL	3	
5	TITLE & SCALE	2	
<b>TOTAL</b>		<b>31</b>	

TITLE & SCALE	PROJECTION SYMBOL



MECHANICAL DRAWING	ESTIMATED TIME FOR COMPLETION	35 MIN	GRADE <b>10</b>	NAME & SURNAME	TASK 5.2	PAGE 21
	YOUR TIME OF COMPLETION	MIN				