

MECHANICAL DRAWING

GIVEN:

- An isometric drawing of a casting.
- The arrow indicating the direction of the front view.

INSTRUCTION:

Answer this question on the given drawing sheet.

Draw to scale 1 : 1 and in third angle orthographic projection, the following views of the casting.

- A front view seen from the direction of the arrow as shown on the isometric view.
- A top view.
- A left view.

NOTE:

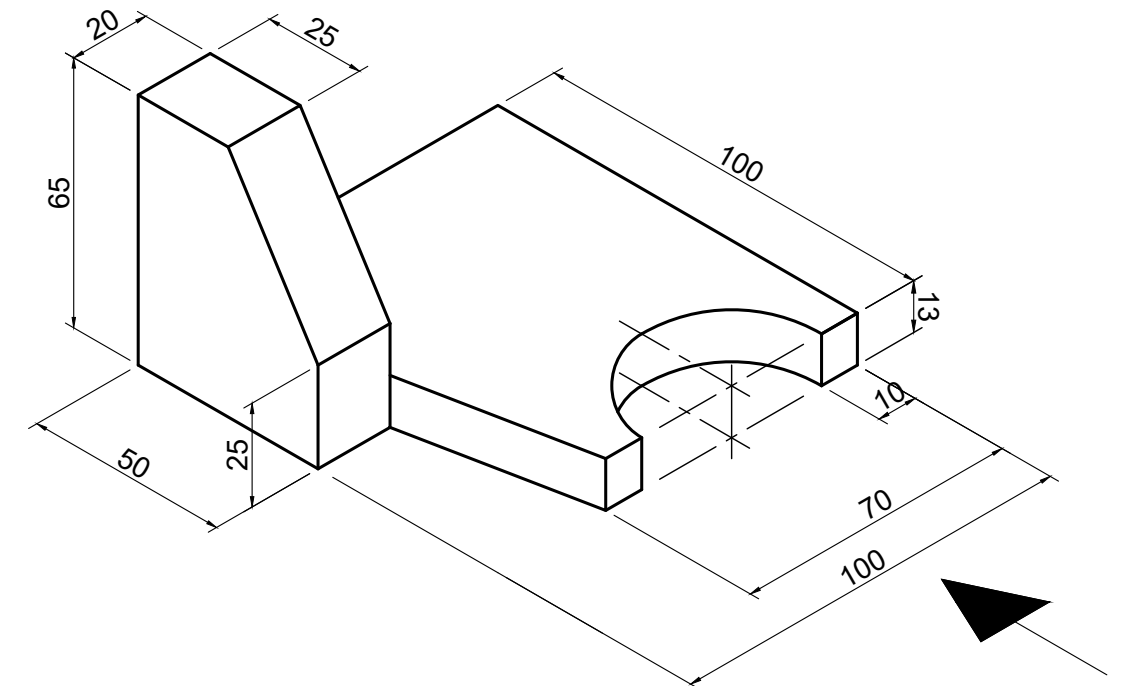
- This drawing must comply with the SANS 10111 standards.
- Show all hidden detail.

Show the following on the drawing:

- The projection system symbol used for this drawing.
- Between 5 mm guidelines, supply the drawing of a title and scale at the designated title block area

CASTING
SCALE 1 : 1

[39]



ASSESSMENT CRITERIA			
1	FRONT VIEW	11	
2	TOP VIEW	13	
3	LEFT VIEW	10	
4	PROJECTION SYMBOL	3	
5	TITLE & SCALE	2	
TOTAL		39	

TITLE & SCALE	PROJECTION SYMBOL



MECHANICAL DRAWING	ESTIMATED TIME FOR COMPLETION	35 MIN	GRADE 10	NAME & SURNAME	TASK 5.3	PAGE 22
	YOUR TIME OF COMPLETION	MIN				