

**MECHANICAL SECTIONAL DRAWING**

**GIVEN:**

- An isometric drawing of a casting.
- The arrow indicating the direction of the front view.

**INSTRUCTION:**

Answer this question on the given drawing sheet.

Draw to scale 1 : 1 and in third angle orthographic projection, the following views of the casting.

- A sectional front view seen from the direction of the arrow as shown on the isometric view. the section line cut from left to right through the width, in the middle (depth dimension) of the casting
- A top view.
- A right view.

**NOTE:**

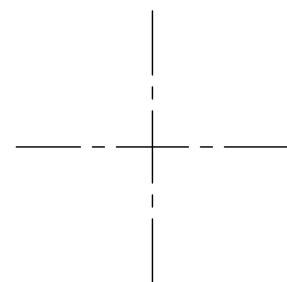
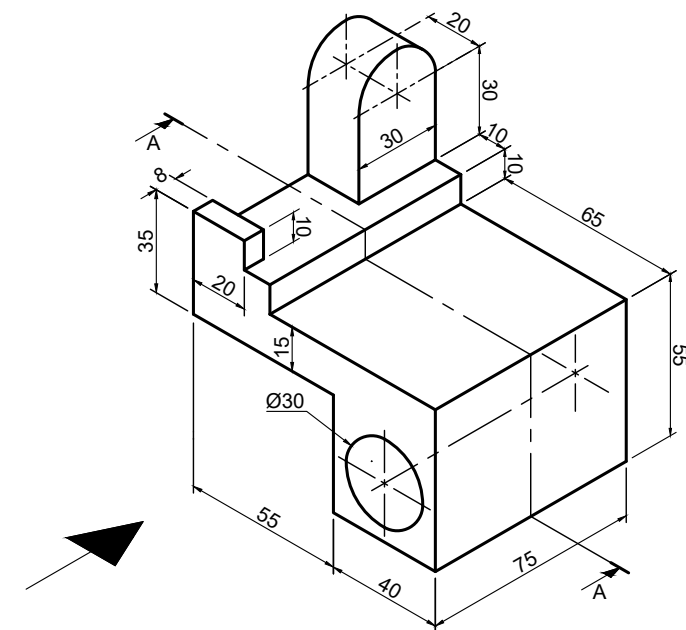
- Carefully plan the start position of the drawing before commencing with the drawing.
- This drawing must comply with the SANS 10111 standards.
- Show all hidden detail.

Show the following on the drawing:

- The section line on the top view as well as on the right view.
- The projection system symbol used for this drawing.
- Between 5 mm guidelines, supply the drawing of a title and scale at the designated title block area

CASTING  
SCALE 1 : 1

[51]



ASSESSMENT CRITERIA			
1	FRONT VIEW	13	
2	TOP VIEW	12	
3	RIGHT VIEW	11	
4	PROJECTION SYMBOL	3	
5	TITLE & SCALE	2	
6	SENERLYNE	3	
7	SECTION LINE AA	7	
<b>TOTAL</b>		<b>51</b>	

TITLE & SCALE	PROJECTION SYMBOL



MECHANICAL SECTIONAL DRAWING	ESTIMATED TIME FOR COMPLETION	35 MIN	GRADE <b>10</b>	NAME & SURNAME	TASK 5.6	PAGE 25
	YOUR TIME OF COMPLETION	MIN				