



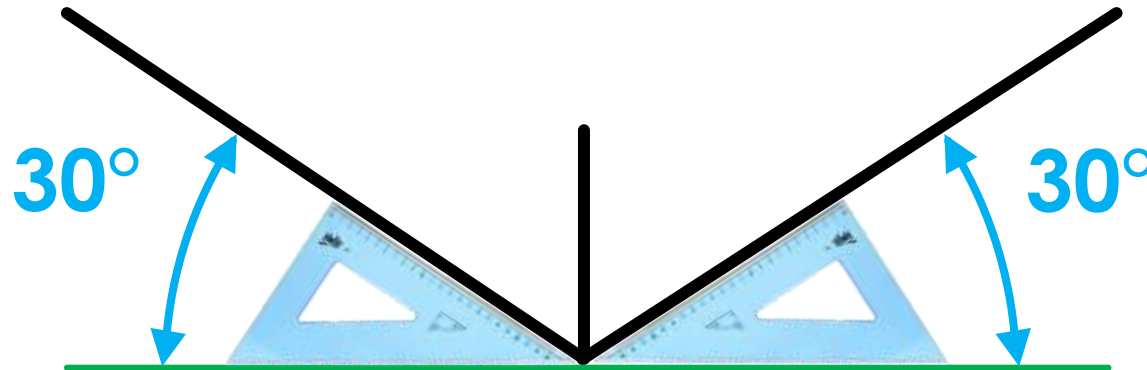
ISOMETRIC DRAWINGS

Drawing Principles

Developed by: PC Viljoen
Senior Educational Specialist for
Engineering Graphics and Design
Free State Province

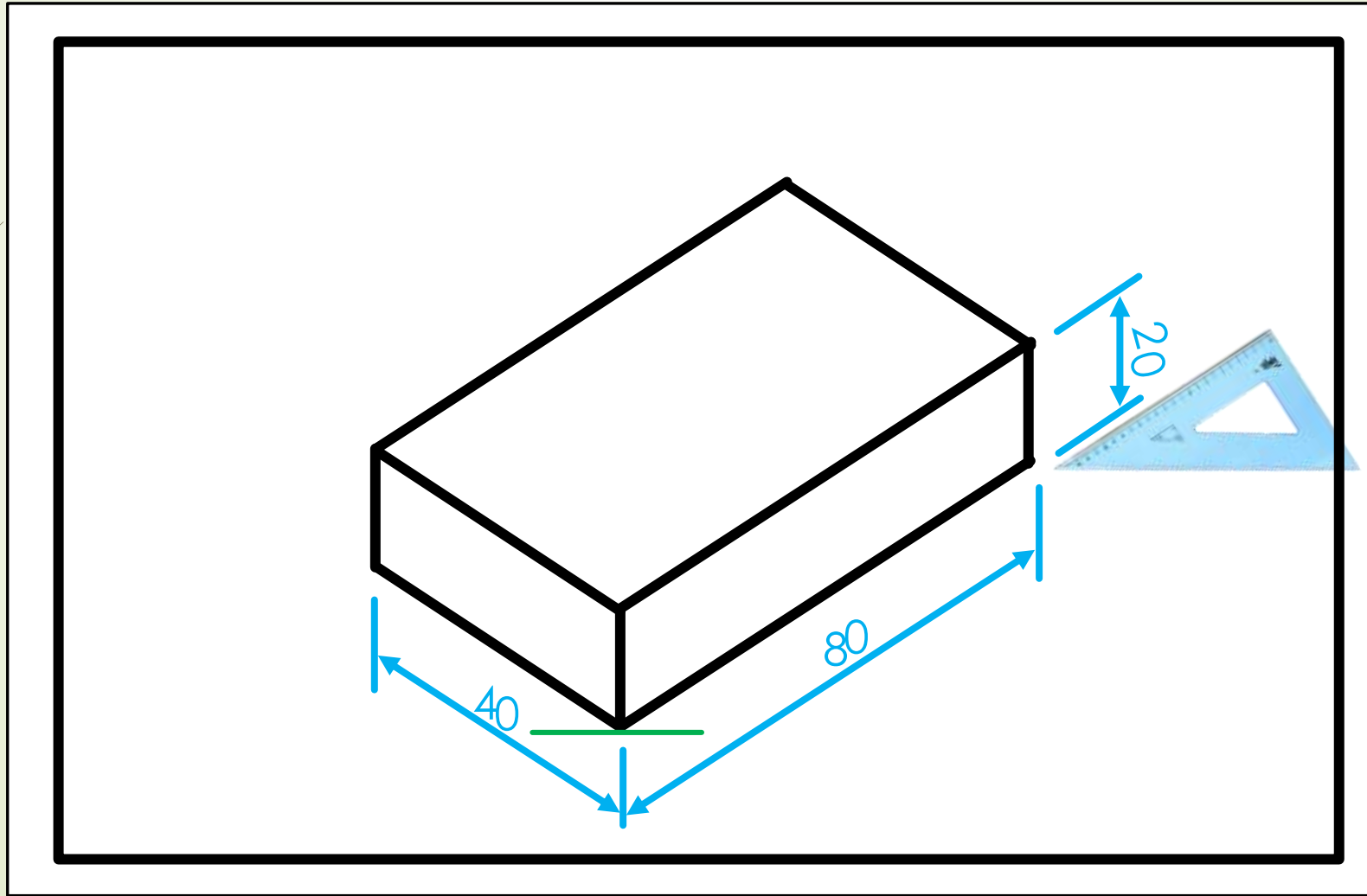
ISOMETRIC DRAWINGS

- An isometric drawing it will be drawn on 30° .
- All isometric dimensions should also be seen as an extension of the 30° isometric line.



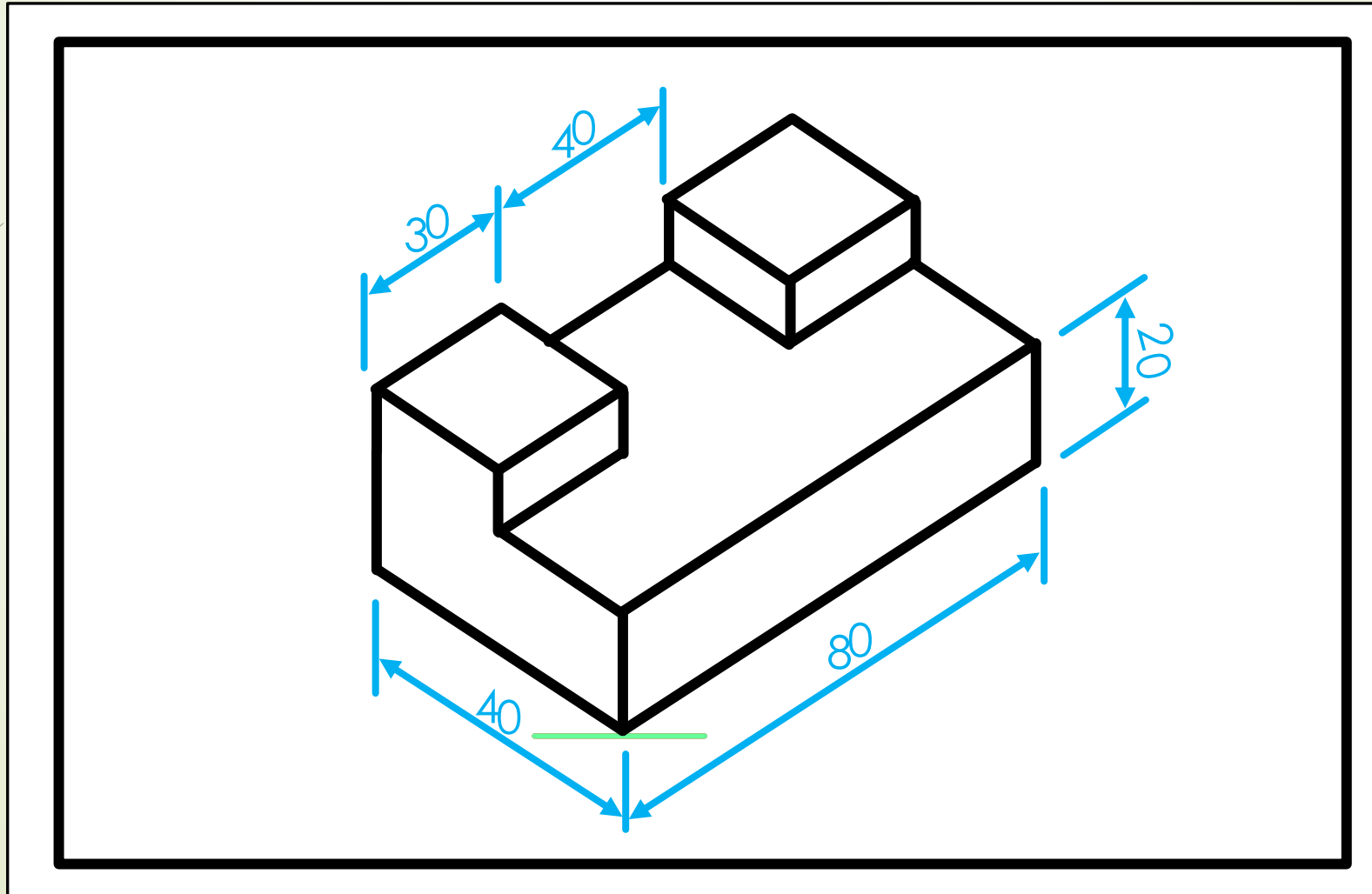
ISOMETRIC DRAWINGS

- All isometric dimensions should also be seen as an extension of the 30° isometric line.



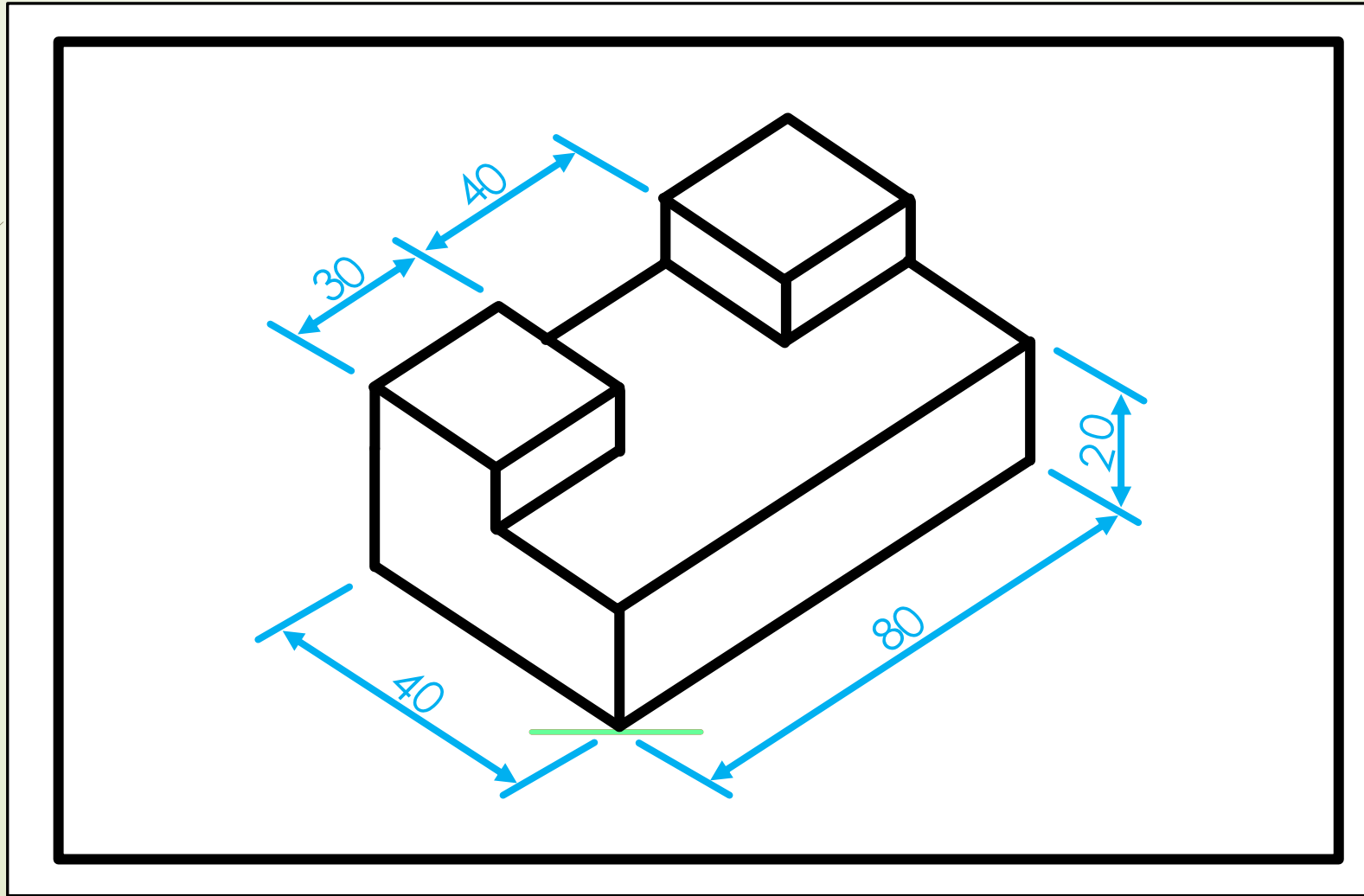
ISOMETRIC DRAWINGS

- All isometric dimensions should also be seen as an extension of the 30° isometric line.



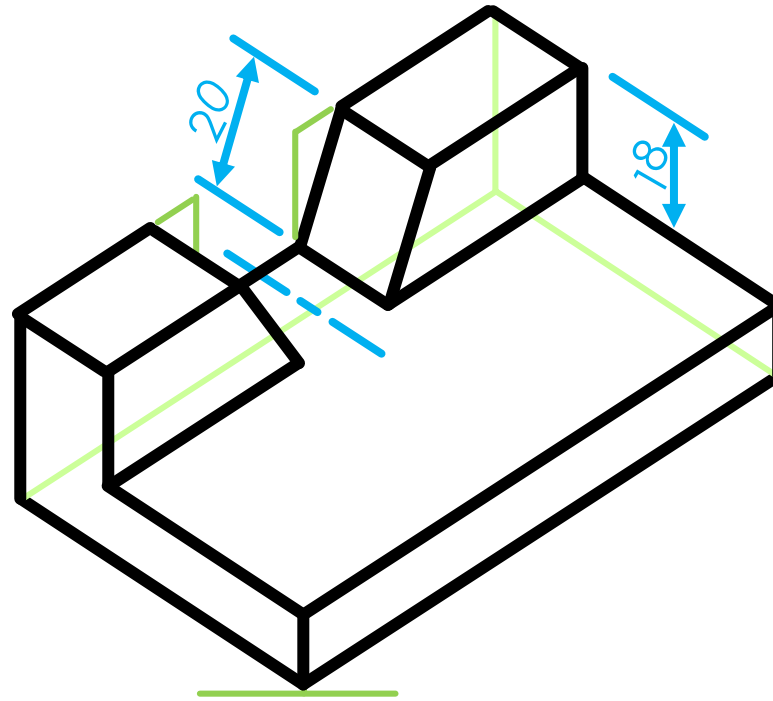
ISOMETRIC DRAWINGS

- All isometric dimensions should also be seen as an extension of the 30° isometric line.



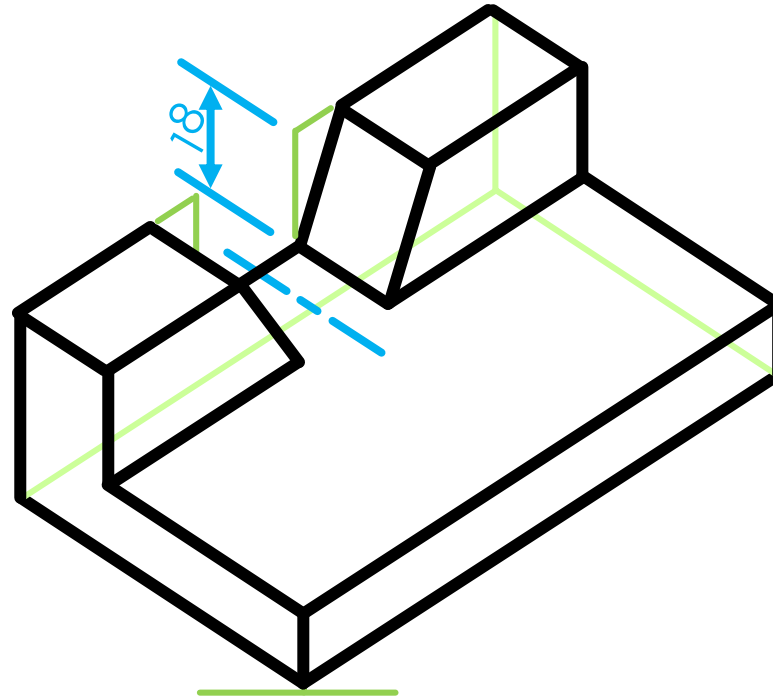
ISOMETRIC DRAWINGS

- All isometric dimensions should also be seen as an extension of the 30° isometric line.



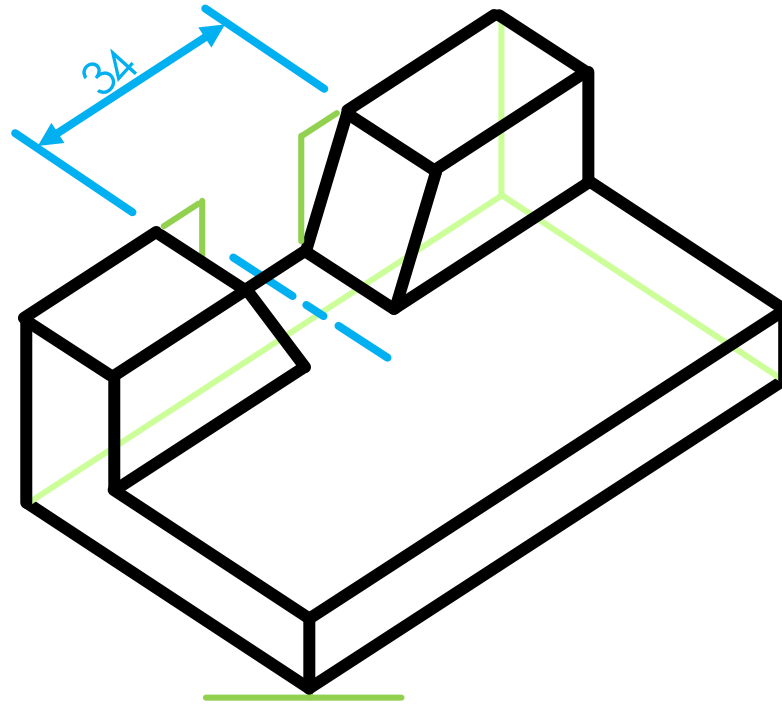
ISOMETRIC DRAWINGS

- ➔ All isometric dimensions should also be seen as an extension of the 30° isometric line.



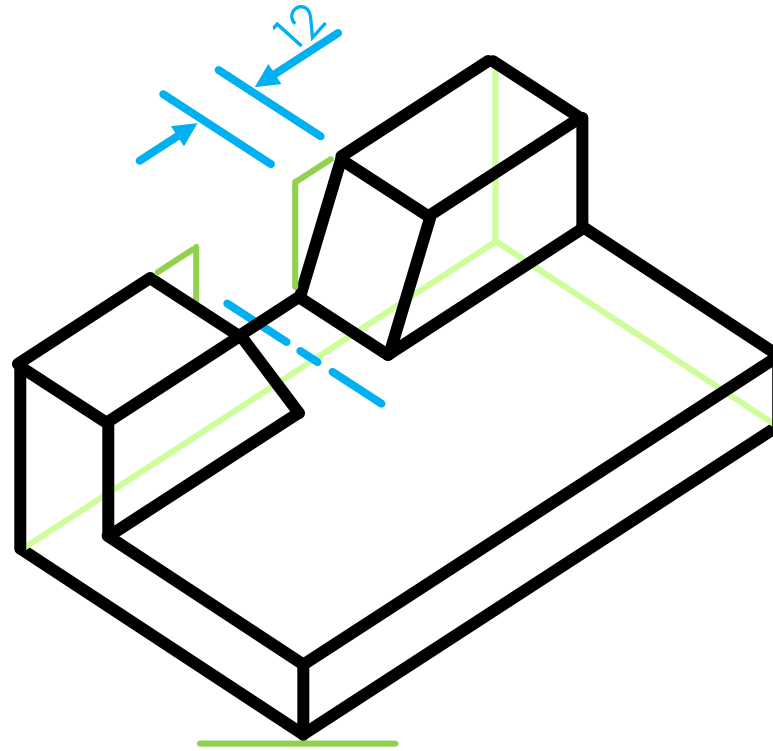
ISOMETRIC DRAWINGS

- All isometric dimensions should also be seen as an extension of the 30° isometric line.



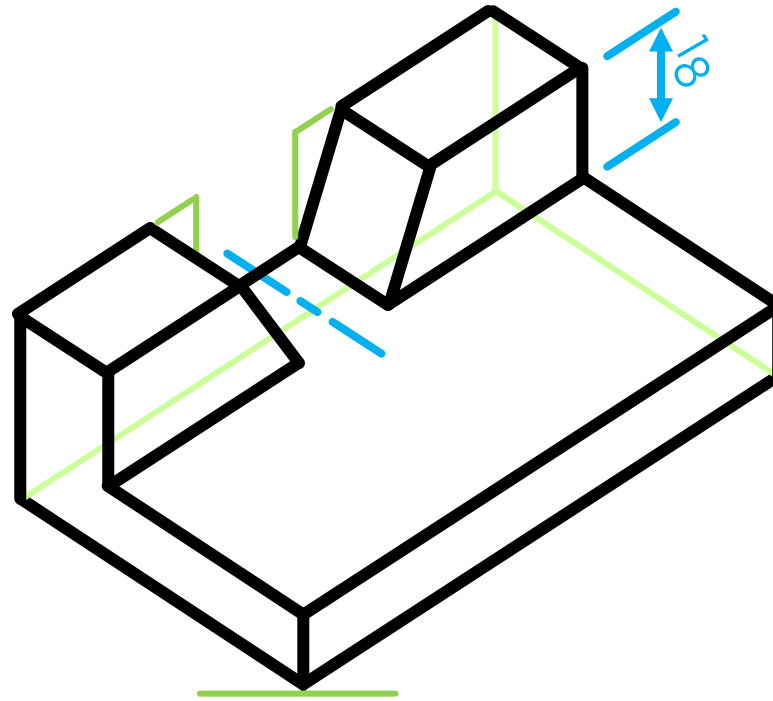
ISOMETRIC DRAWINGS

- All isometric dimensions should also be seen as an extension of the 30° isometric line.



ISOMETRIC DRAWINGS

- ➔ All isometric dimensions should also be seen as an extension of the 30° isometric line.



ISOMETRIC DRAWINGS

- ➔ All isometric dimensions should also be seen as an extension of the 30° isometric line.

