

QUESTION 3: ISOMETRIC

Given:

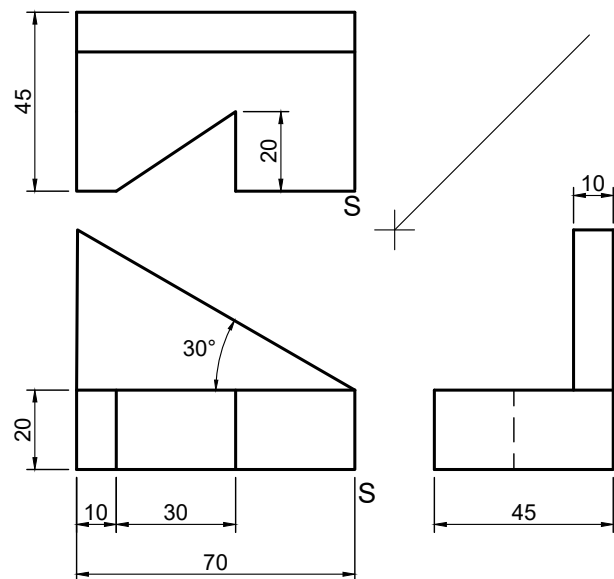
The front view, top view and right view of a casting.
The position of point S on the diagram sheet.

Instructions:

Use a scale of 1 : 1 and convert the orthographic views of the casting into an isometric drawing.

- Make S the lowest point of the drawing.
- Show all necessary constructions.
- NO hidden detail is required.

[17]



S

| ASSESSMENT CRITERIA | | | |
|---------------------|----------------|-----------|--|
| 1 | START POSITION | 2 | |
| 2 | AUXILIARY VIEW | 3 | |
| 3 | BASE | 8 | |
| 4 | UPRIGHT PART | 4 | |
| PENALTIES (1) | | | |
| SUBTOTAL | | 17 | |

QUESTION 3: ISOMETRIC

Given:

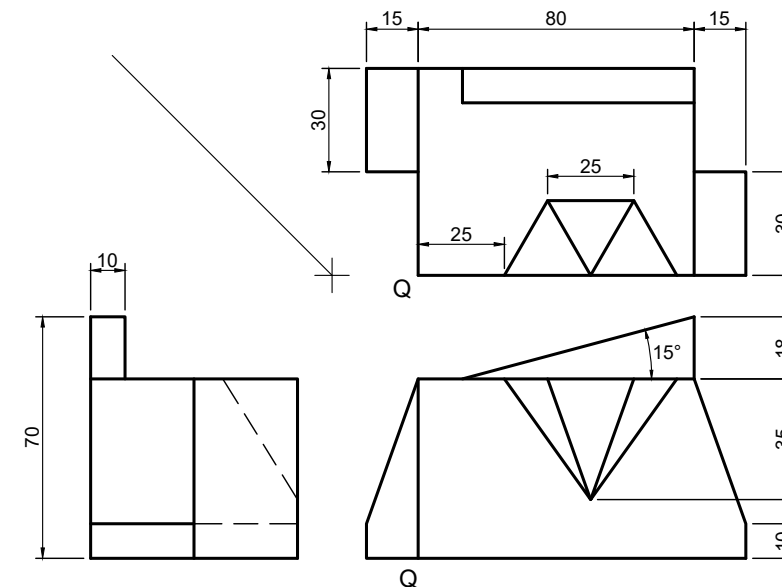
The front view, top view and left view of a casting.
The position of point Q on the diagram sheet.

Instructions:

Use a scale of 1 : 1 and convert the orthographic views of the casting into an isometric drawing.

- Make Q the lowest point of the drawing.
- Show all necessary constructions.
- NO hidden detail is required.

[25]



Q

| ASSESSMENT CRITERIA | | | |
|---------------------|----------------|-----------|--|
| 1 | START POSITION | 2 | |
| 2 | AUXILIARY VIEW | 7 | |
| 3 | BASE | 13 | |
| 4 | UPRIGHT PART | 3 | |
| PENALTIES (-) | | | |
| SUBTOTAL | | 25 | |
| GRANT TOTAL | | 42 | |



ISOMETRIC DRAWING

ESTIMATED TIME FOR COMPLETION
YOUR TIME OF COMPLETION

36 MIN
MIN

GRADE
10

NAME &
SURNAME

TASK
6.3

PAGE
36