

**QUESTION 3: ISOMETRIC**

**Given:**

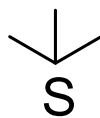
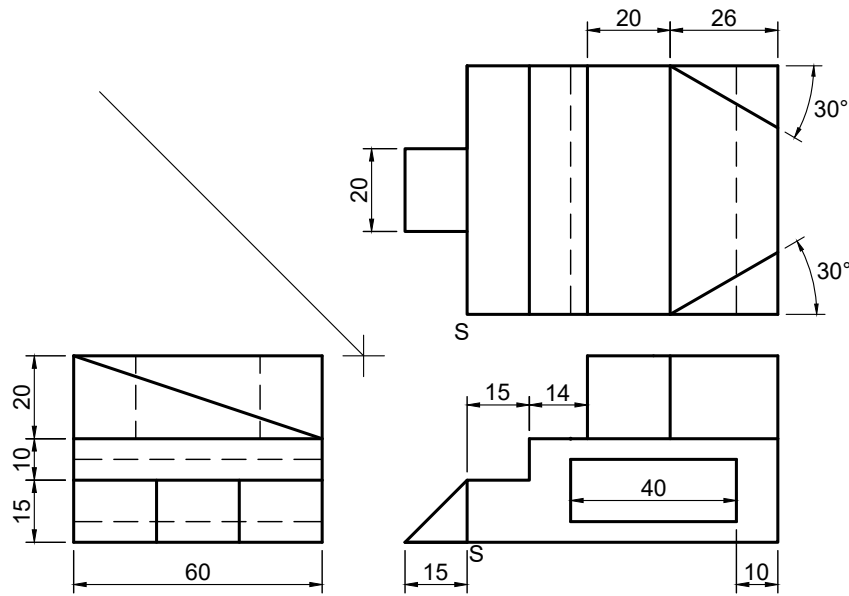
The front view, top view and left view of a casting.  
The position of point S on the diagram sheet.

**Instructions:**

Use a scale of 1 : 1 and convert the orthographic views of the casting into an isometric drawing.

- Make S the lowest point of the drawing.
- Show all necessary constructions.
- NO hidden detail is required.

[24]



ASSESSMENT CRITERIA			
1	START POSITION	2	
2	AUXILIARY VIEW	3	
3	BASE	14	
4	UPRIGHT PART	5	
PENALTIES (1)			
<b>SUBTOTAL</b>		<b>24</b>	

**QUESTION 3: ISOMETRIC**

**Given:**

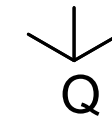
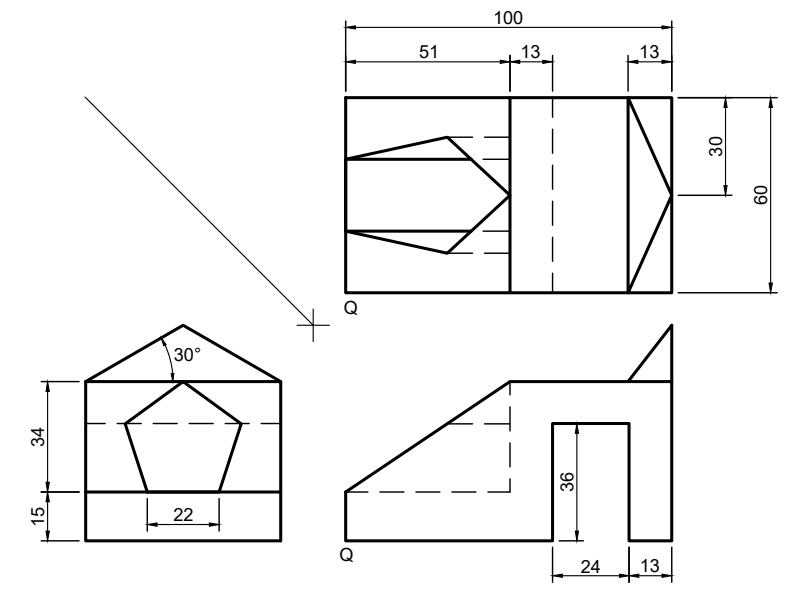
The front view, top view and left view of a casting.  
The position of point Q on the diagram sheet.

**Instructions:**

Use a scale of 1 : 1 and convert the orthographic views of the casting into an isometric drawing.

- Make Q the lowest point of the drawing.
- Show all necessary constructions.
- NO hidden detail is required.

[20]



ASSESSMENT CRITERIA			
1	START POSITION	2	
2	AUXILIARY VIEW	4	
3	BASE	7.5	
4	NON-ISOMETRIC LINES	6.5	
PENALTIES (-)			
<b>SUBTOTAL</b>		<b>20</b>	
<b>GRANT TOTAL</b>		<b>44</b>	



ISOMETRIC DRAWING

ESTIMATED TIME FOR COMPLETION  
YOUR TIME OF COMPLETION

36 MIN  
MIN

GRADE  
**10**

NAME &  
SURNAME

TASK  
6.5

PAGE  
38