



# Constructing polygons

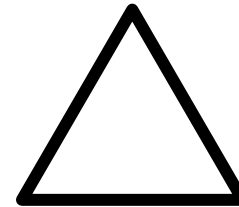
## Triangles

Developed by: PC Viljoen  
Senior Educational Specialist for  
Engineering Graphics and Design  
Free State Province

# Constructing polygons

- ➔ Construct a **triangle** (3 sides)

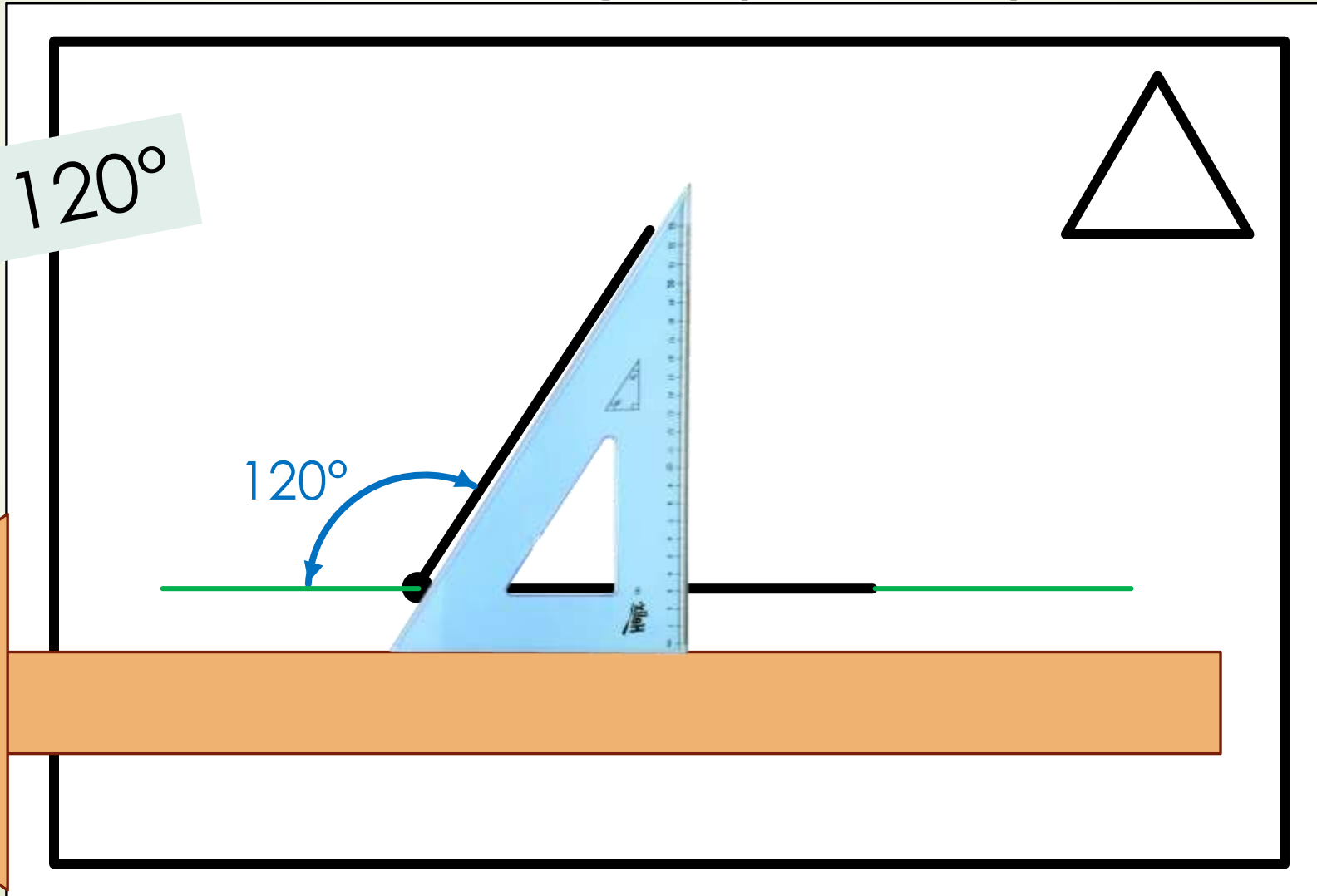
$$360^\circ \div 3 = 120^\circ$$



# Constructing polygons

- ➔ Construct a **triangle** (3 sides)

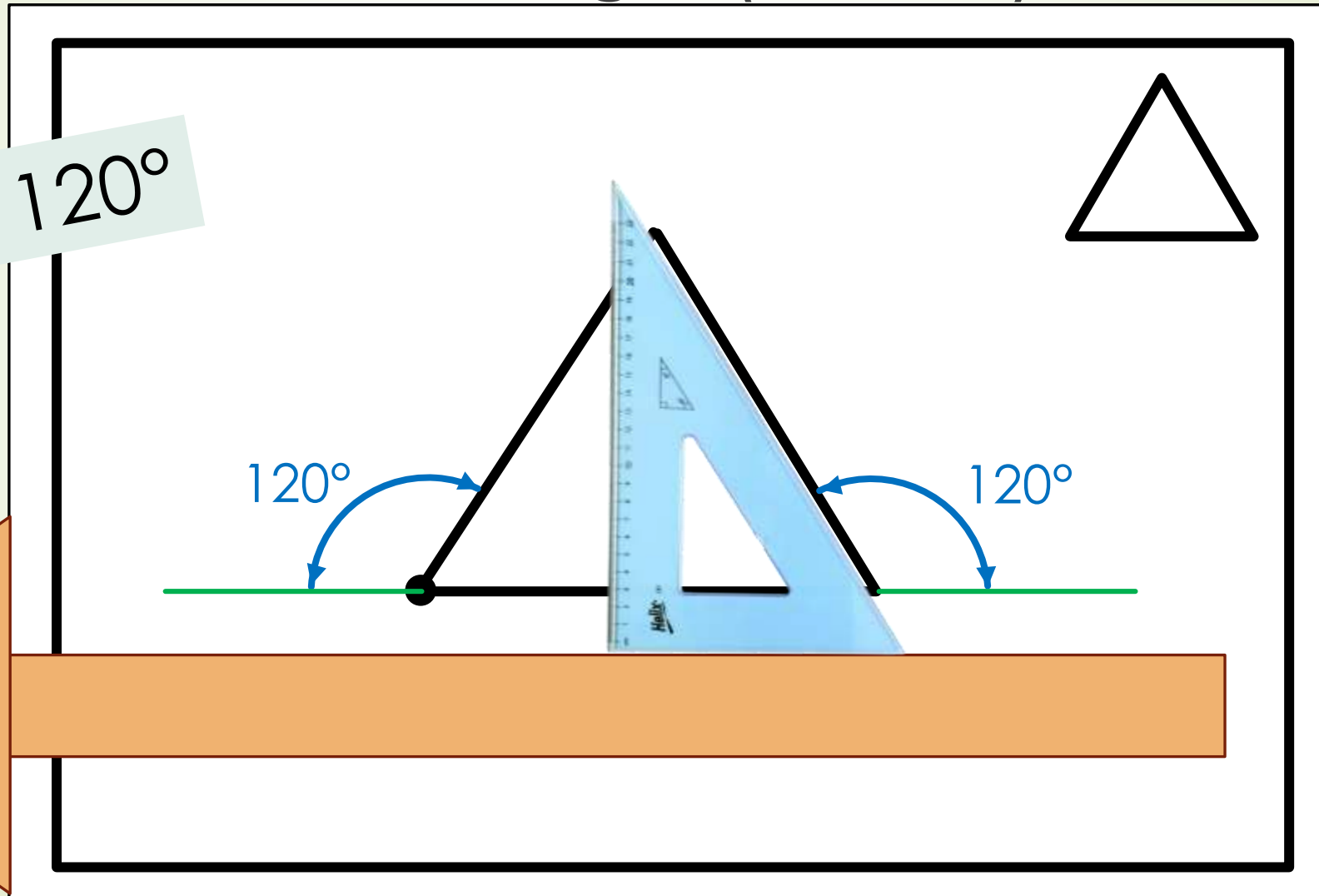
$$360^\circ \div 3 = 120^\circ$$



# Constructing polygons

- ➔ Construct a **triangle** (3 sides)

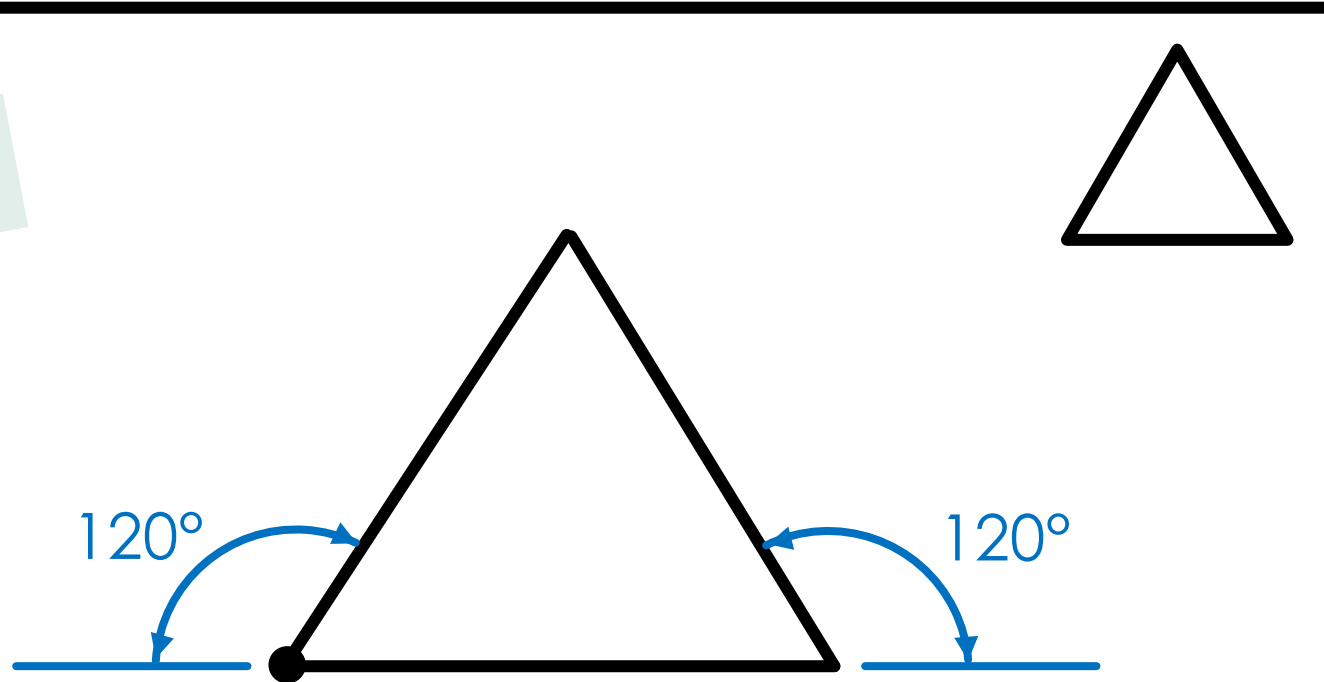
$$360^\circ \div 3 = 120^\circ$$



# Constructing polygons

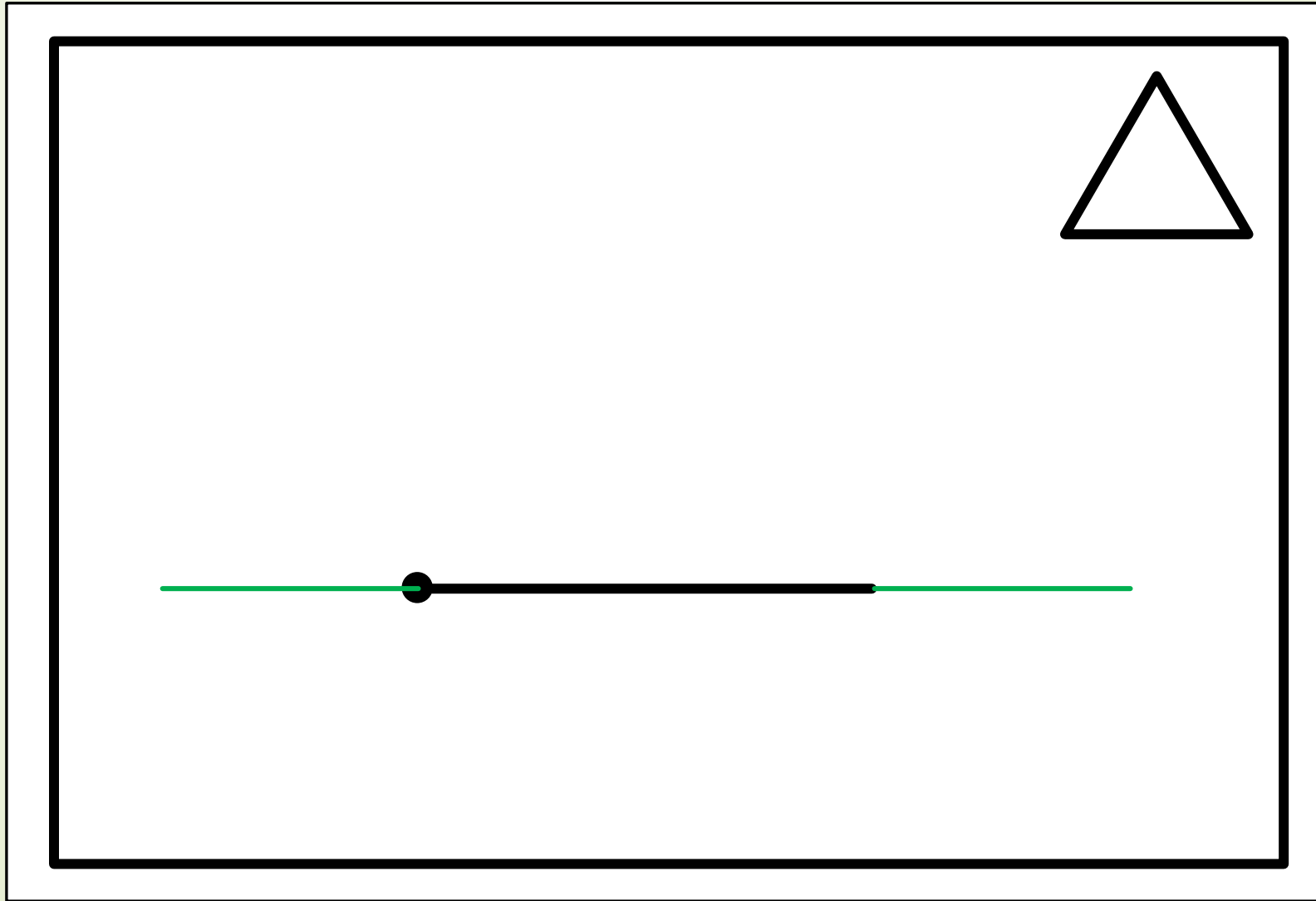
- ➔ Construct a **triangle** (3 sides)

$$360^\circ \div 3 = 120^\circ$$



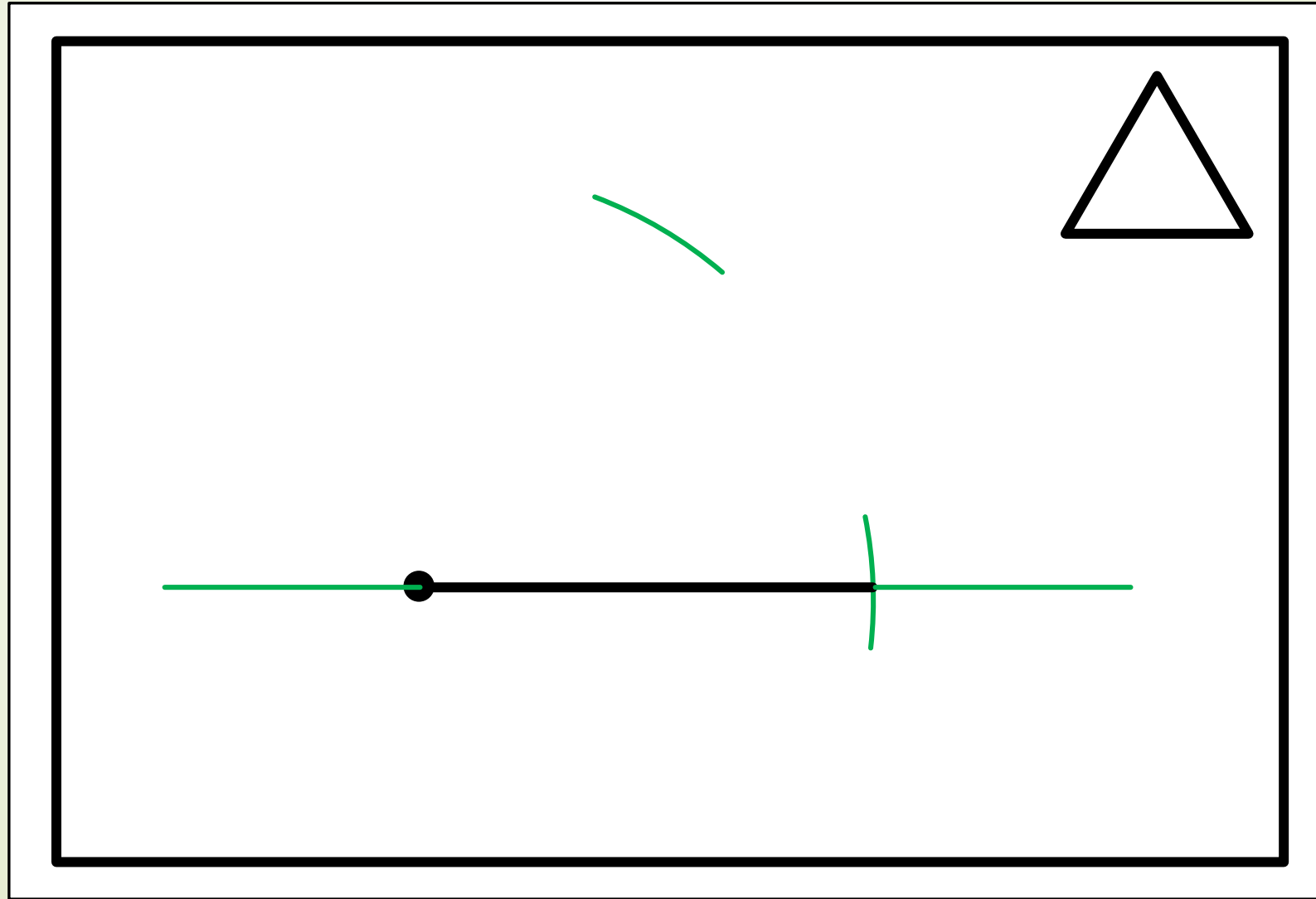
# Constructing polygons

- By means of a compass construct a **triangle**



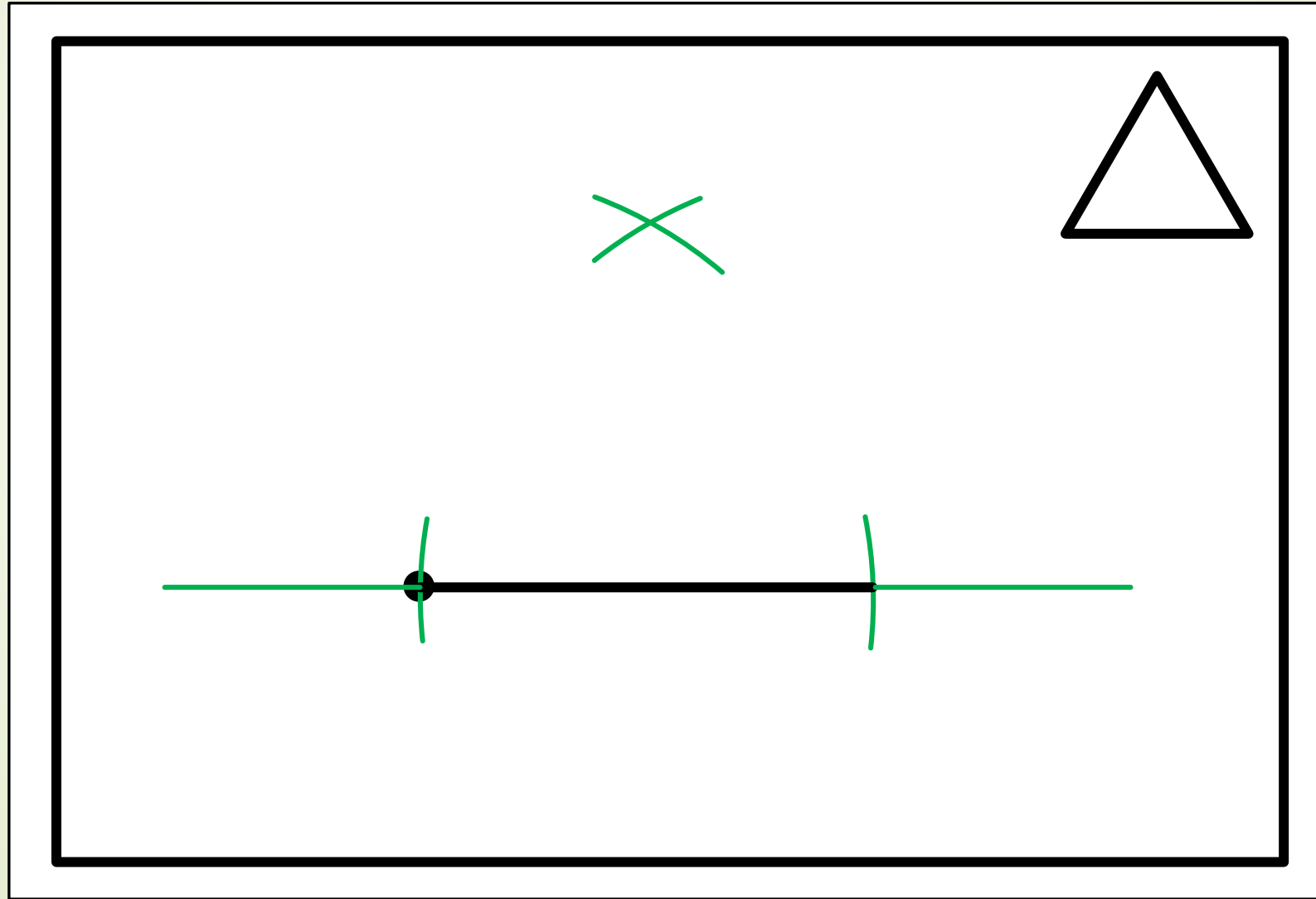
# Constructing polygons

- By means of a compass construct a **triangle**



# Constructing polygons

- By means of a compass construct a **triangle**



# Constructing polygons

- By means of a compass construct a **triangle**

