



Constructing polygons

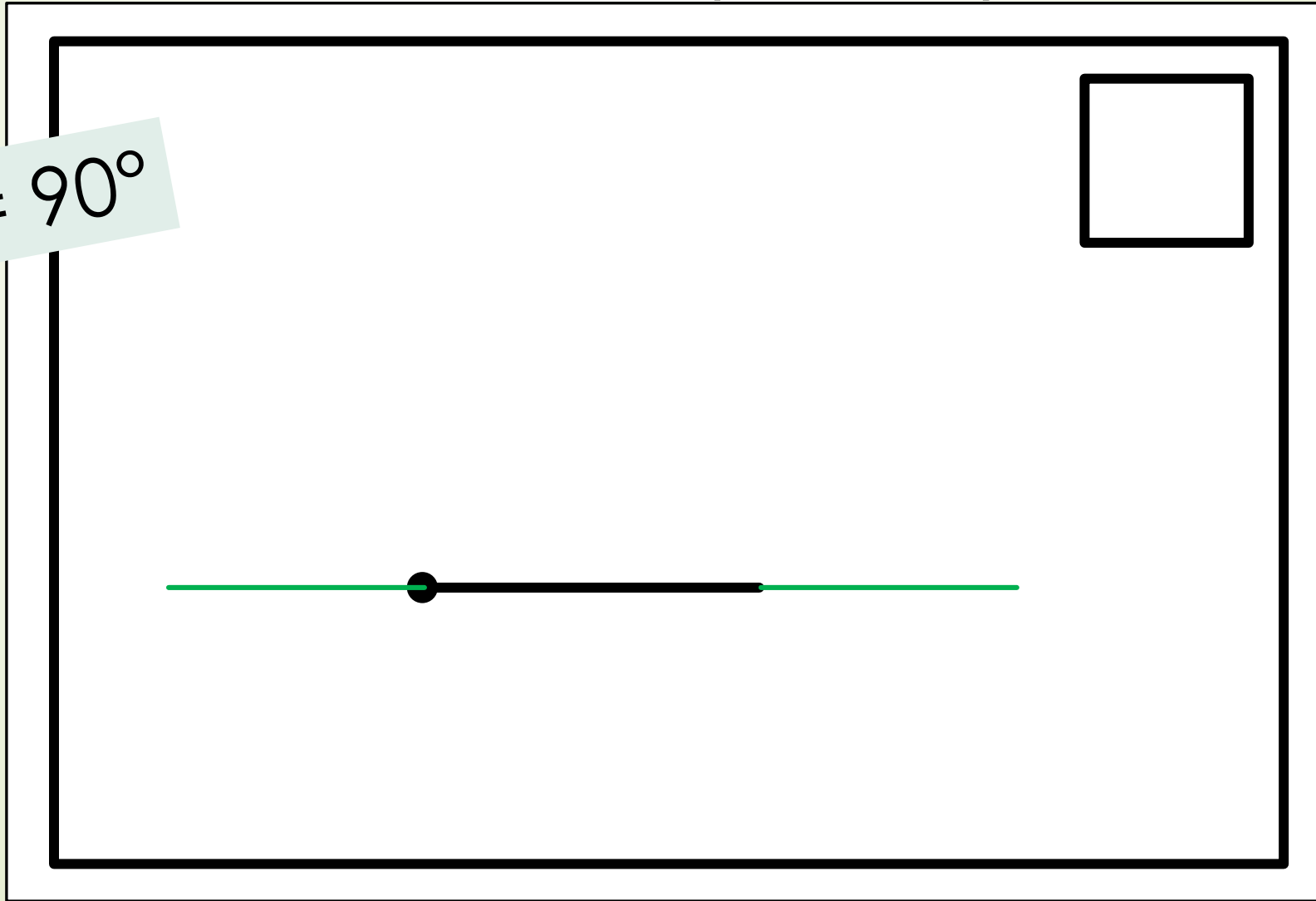
Square

Developed by: PC Viljoen
Senior Educational Specialist for
Engineering Graphics and Design
Free State Province

Constructing polygons

- ➔ Construct a **square** (4 sides)

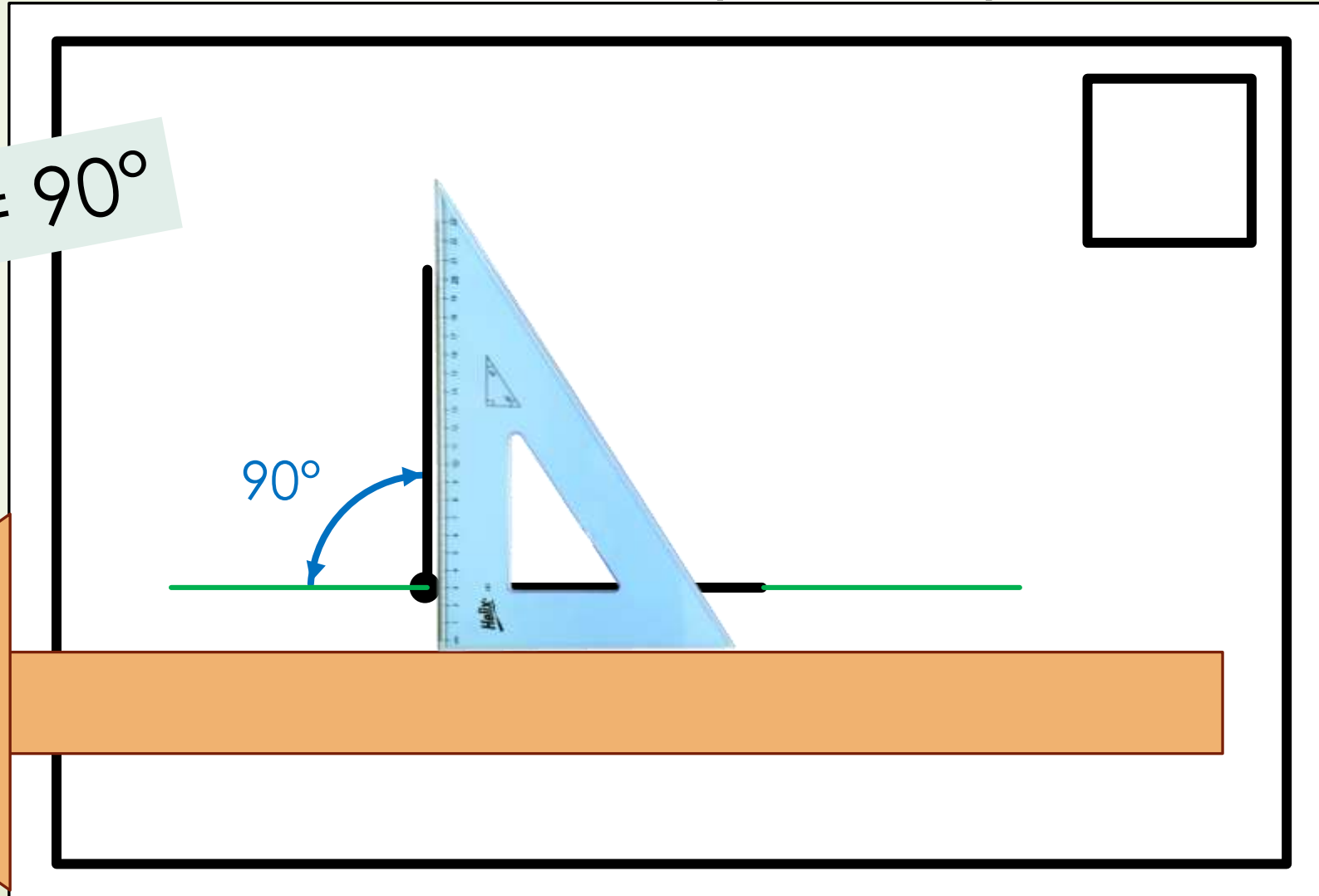
$$360^\circ \div 4 = 90^\circ$$



Constructing polygons

- ➔ Construct a **square** (4 sides)

$$360^\circ \div 4 = 90^\circ$$



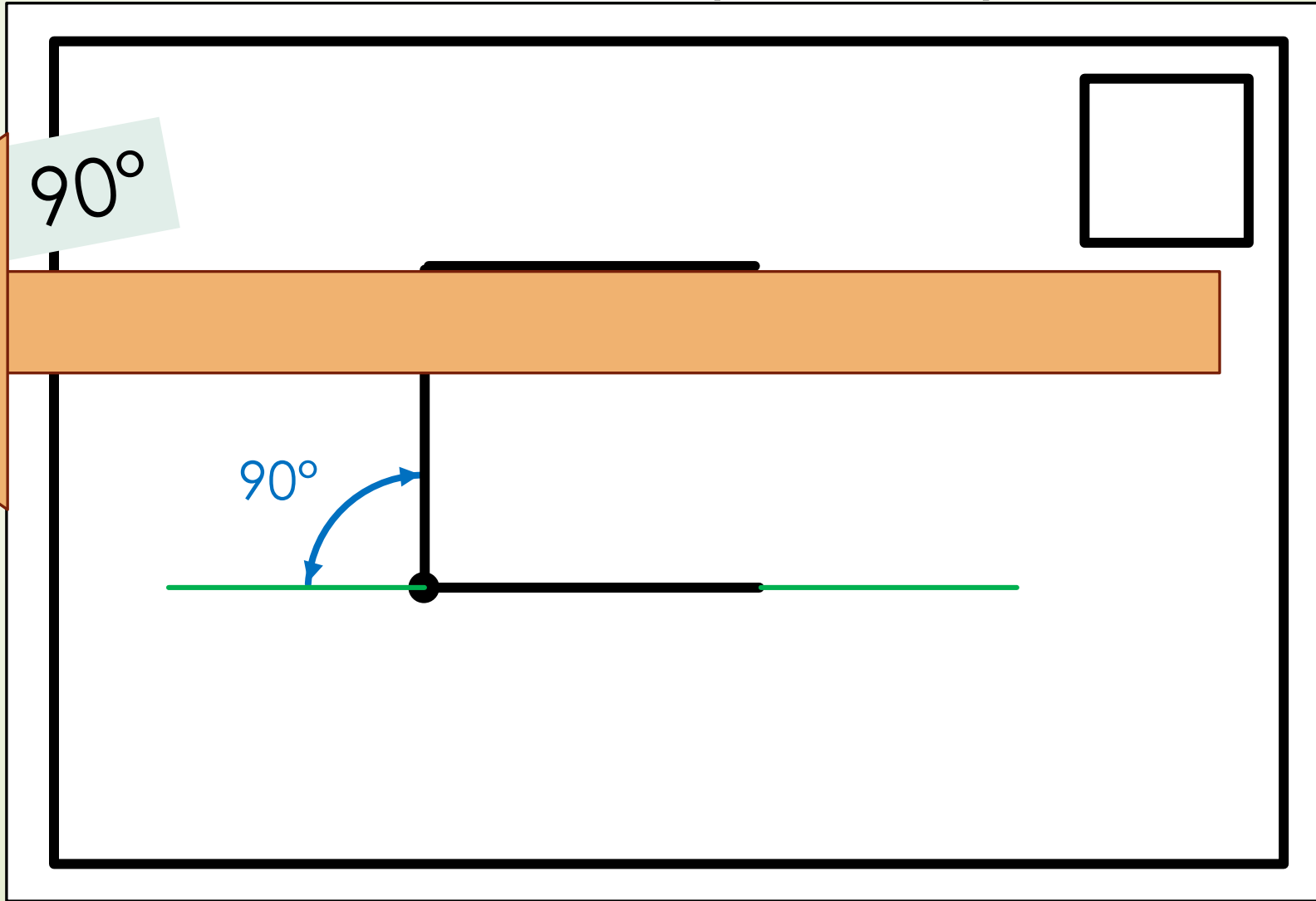
Constructing polygons

- ➔ Construct a **square** (4 sides)

$$360^\circ \div 4$$

90°

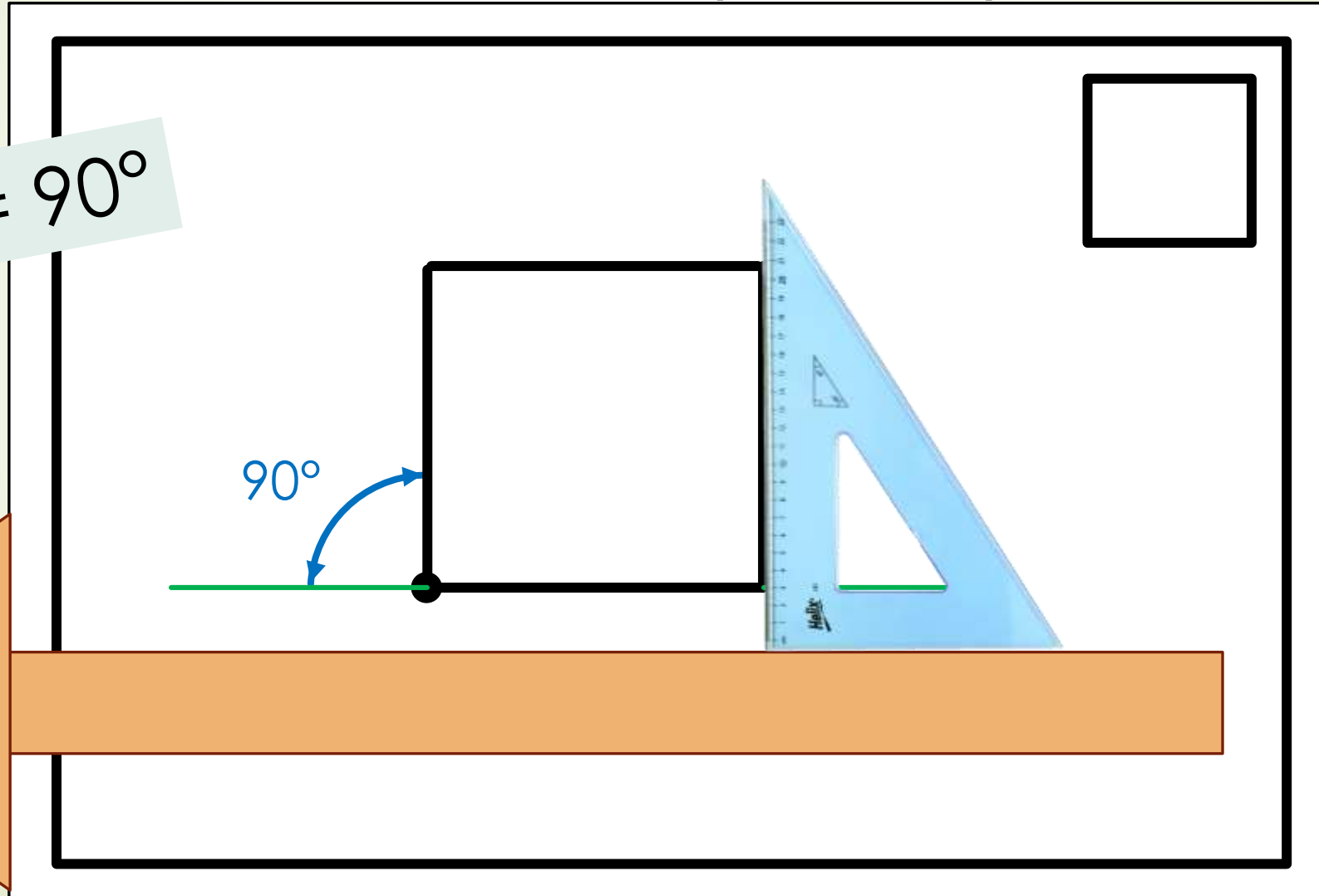
90°



Constructing polygons

- ➔ Construct a **square** (4 sides)

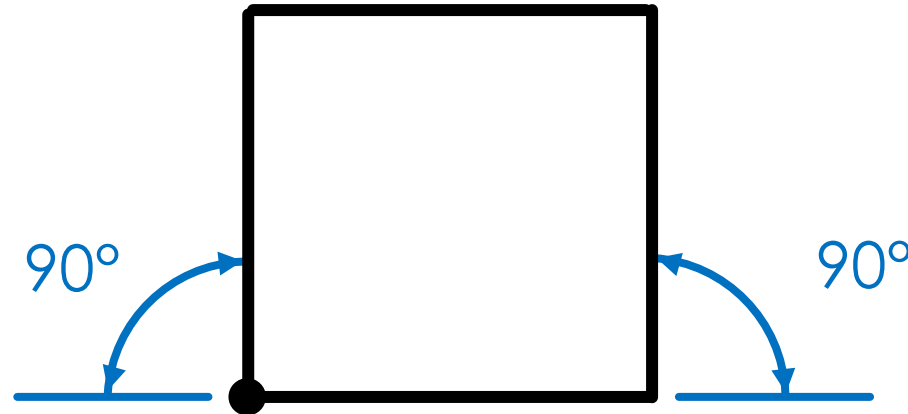
$$360^\circ \div 4 = 90^\circ$$



Constructing polygons

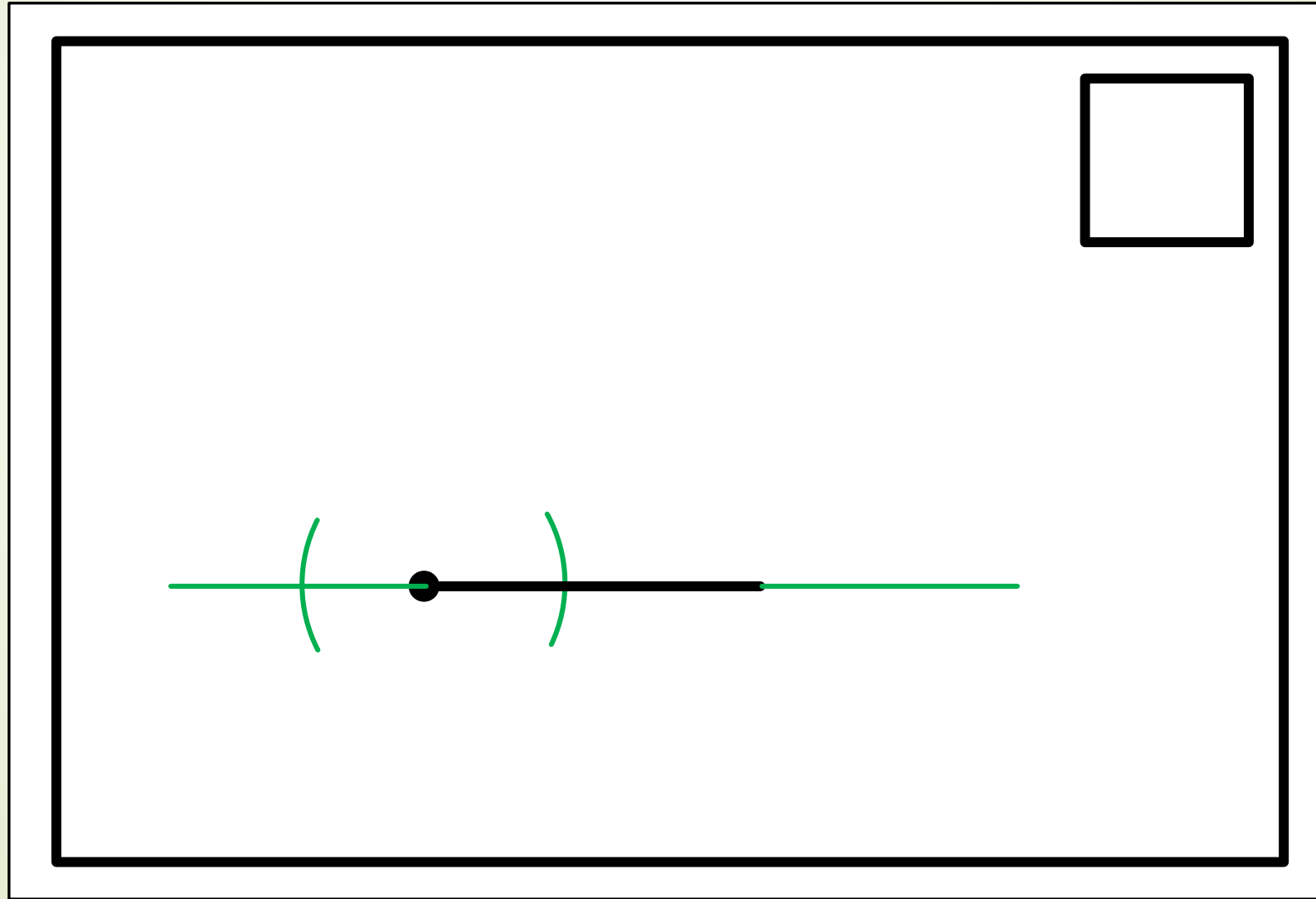
- Construct a **square** (4 sides)

$$360^\circ \div 4 = 90^\circ$$



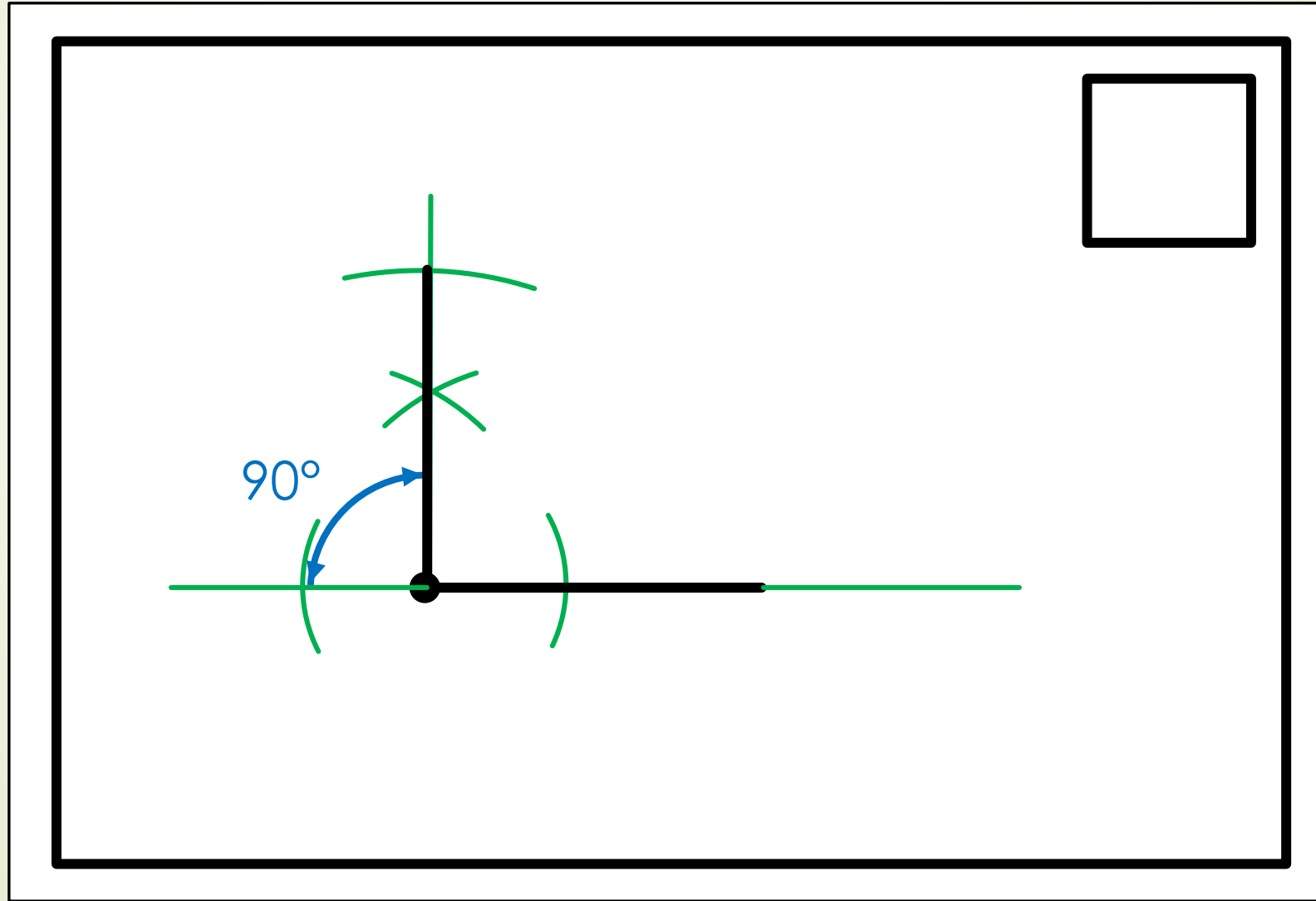
Constructing polygons

- By means of a compass construct a **square**



Constructing polygons

- By means of a compass construct a **square**



Constructing polygons

- By means of a compass construct a **square**

