



Constructing polygons

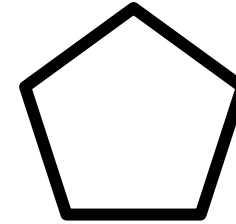
Pentagon

Developed by: PC Viljoen
Senior Educational Specialist for
Engineering Graphics and Design
Free State Province

Constructing polygons

- ➔ Construct a **pentagon** (5 sides)

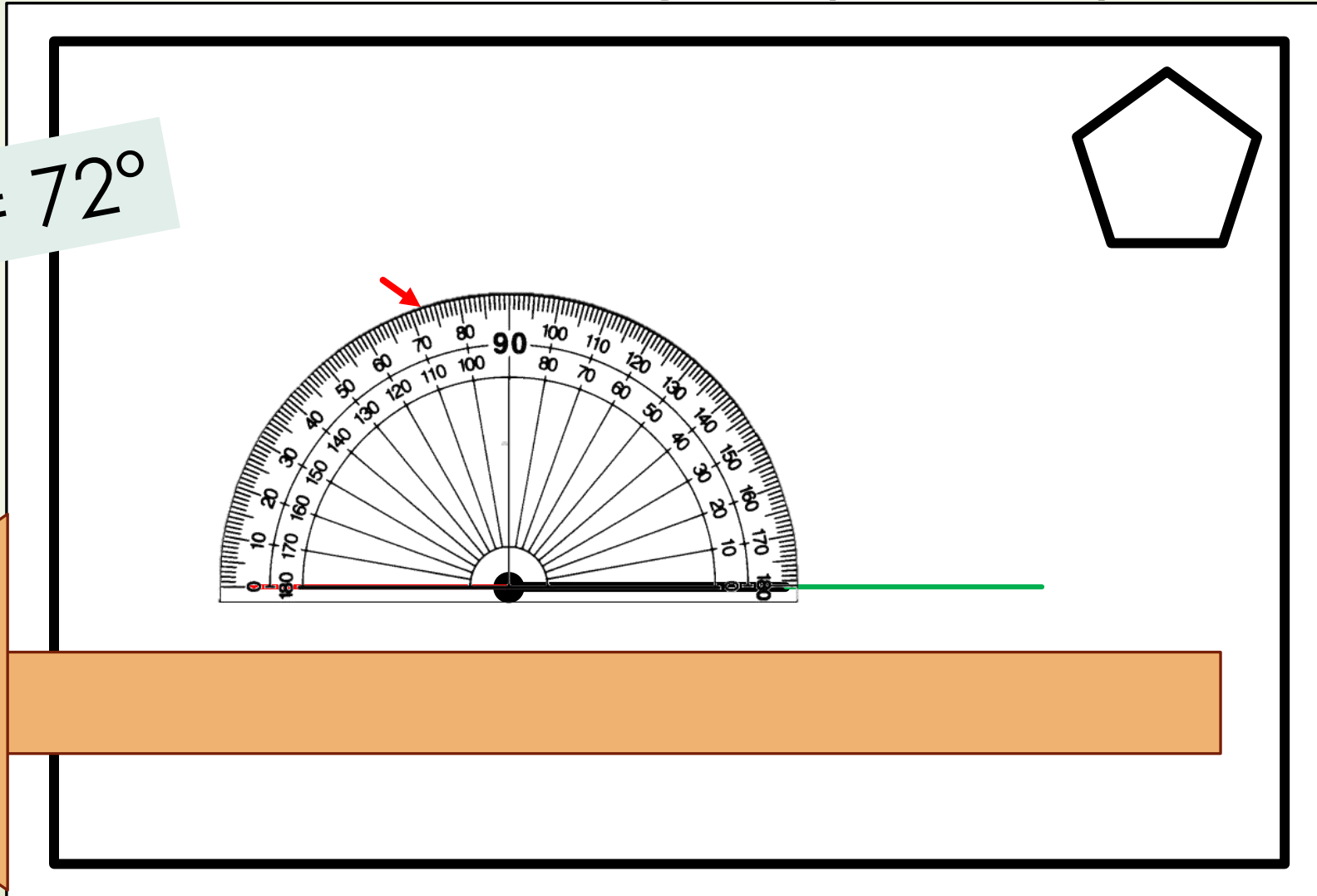
$$360^\circ \div 5 = 72^\circ$$



Constructing polygons

- ➔ Construct a **pentagon** (5 sides)

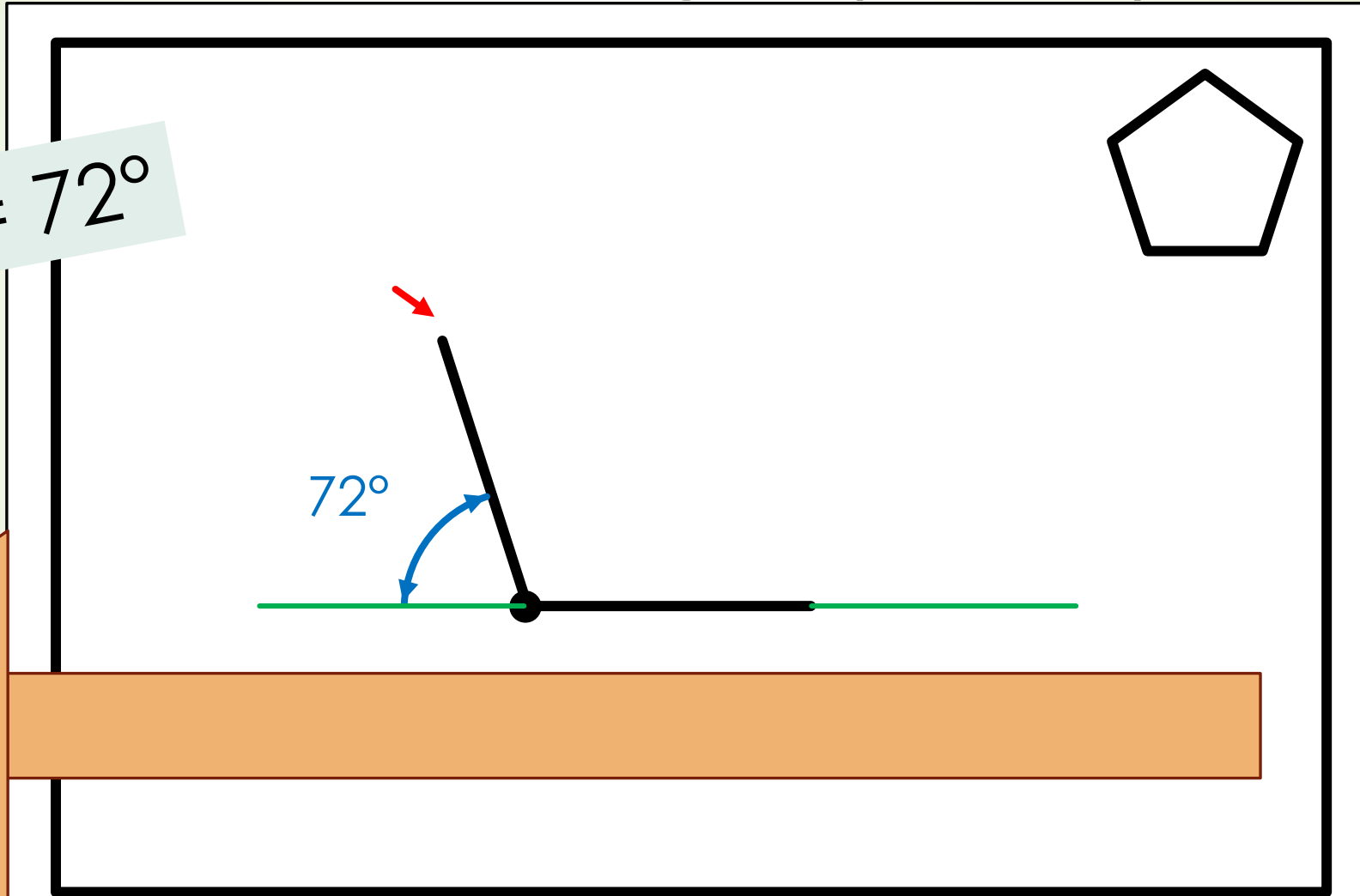
$$360^\circ \div 5 = 72^\circ$$



Constructing polygons

- ➔ Construct a **pentagon** (5 sides)

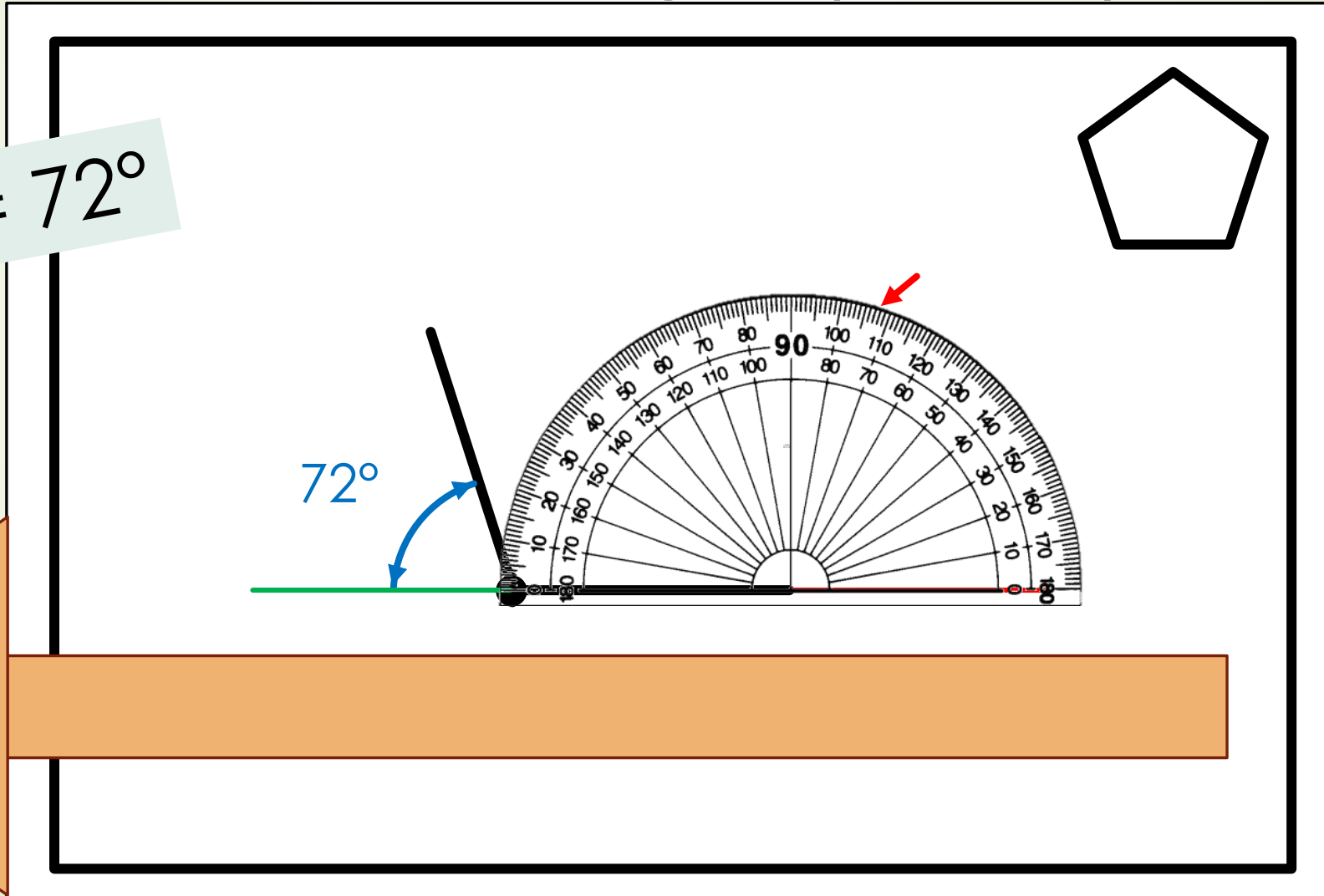
$$360^\circ \div 5 = 72^\circ$$



Constructing polygons

- ➔ Construct a **pentagon** (5 sides)

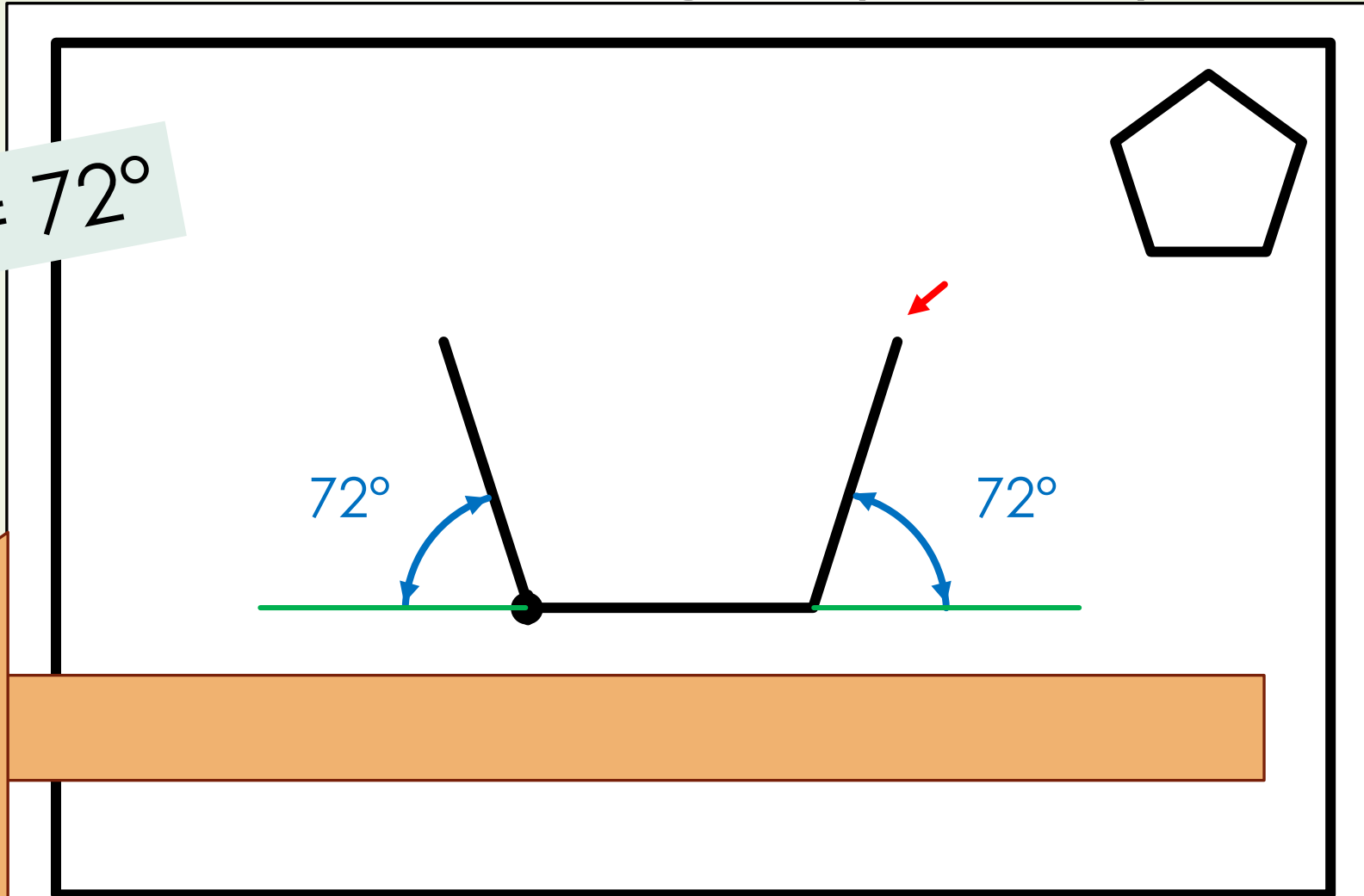
$$360^\circ \div 5 = 72^\circ$$



Constructing polygons

- ➔ Construct a **pentagon** (5 sides)

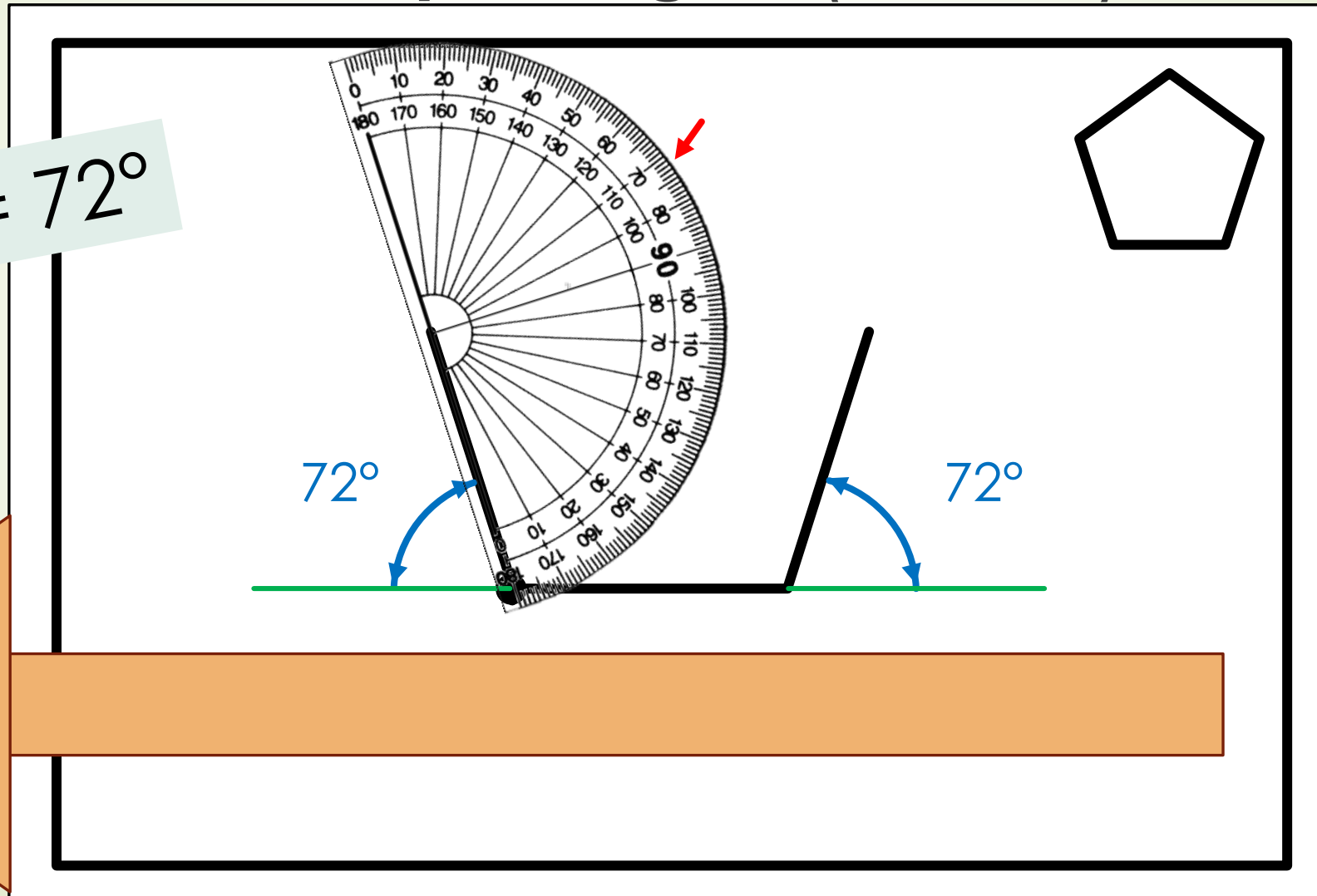
$$360^\circ \div 5 = 72^\circ$$



Constructing polygons

- ➔ Construct a **pentagon** (5 sides)

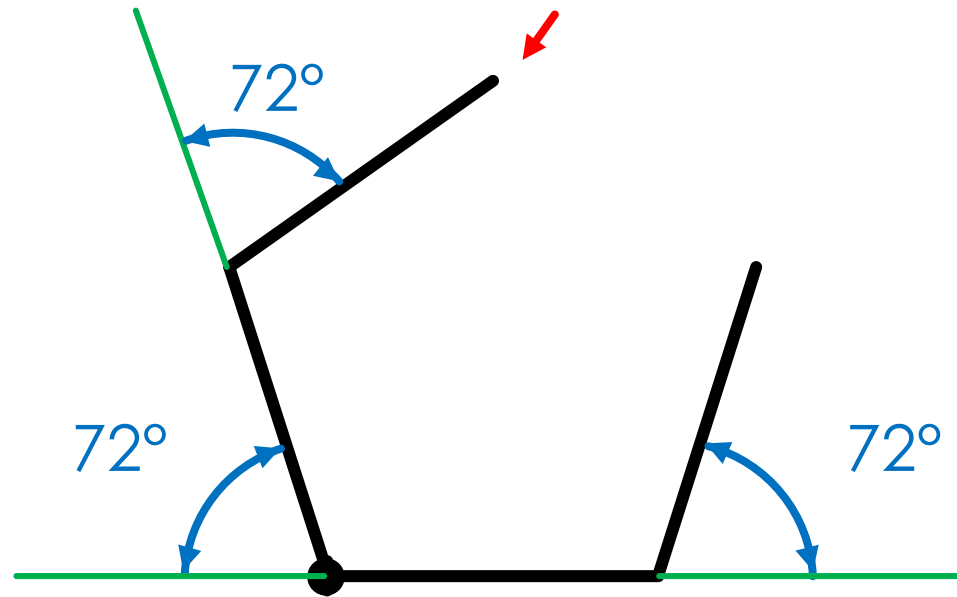
$$360^\circ \div 5 = 72^\circ$$



Constructing polygons

- ➔ Construct a **pentagon** (5 sides)

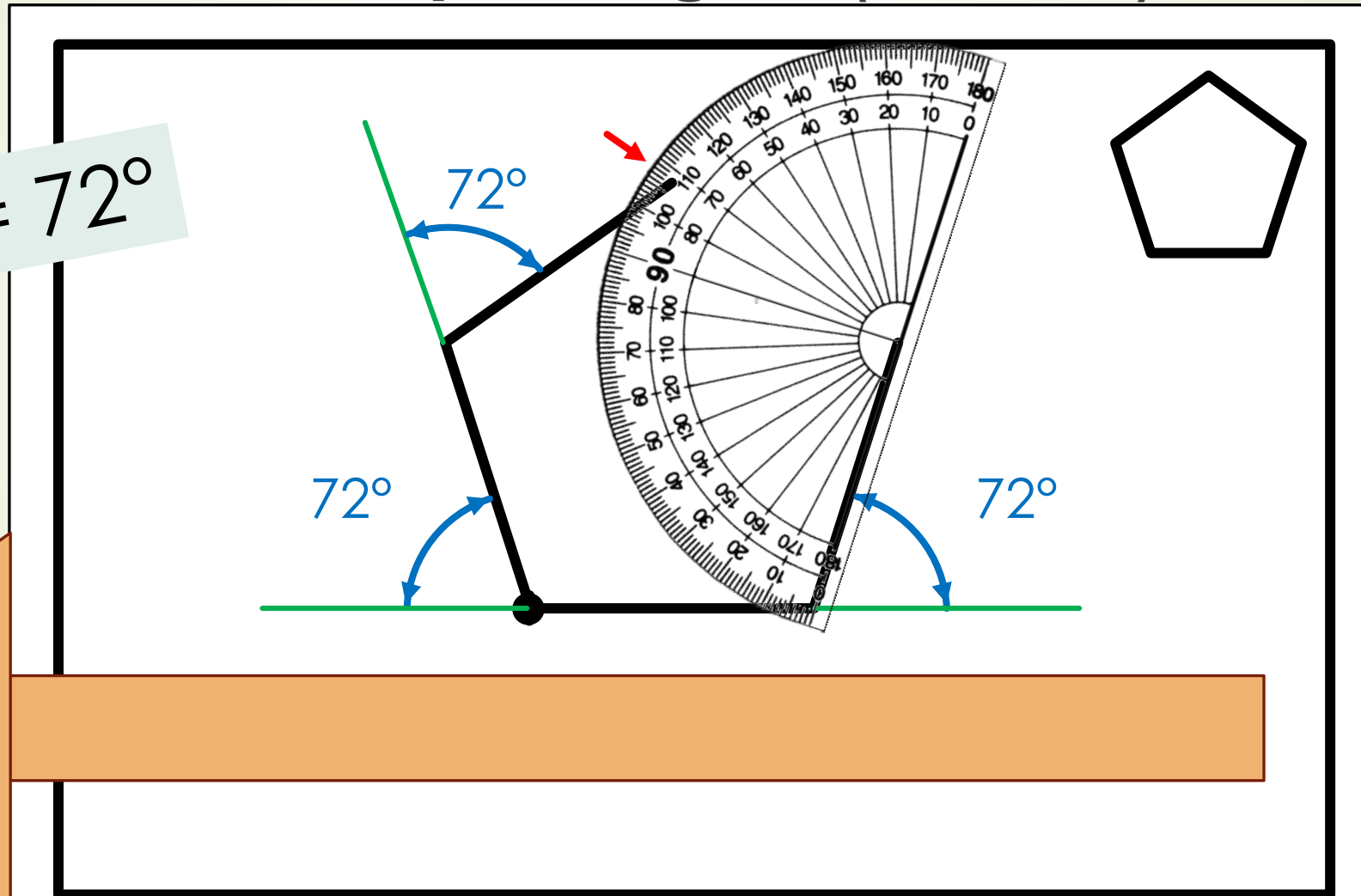
$$360^\circ \div 5 = 72^\circ$$



Constructing polygons

- Construct a **pentagon** (5 sides)

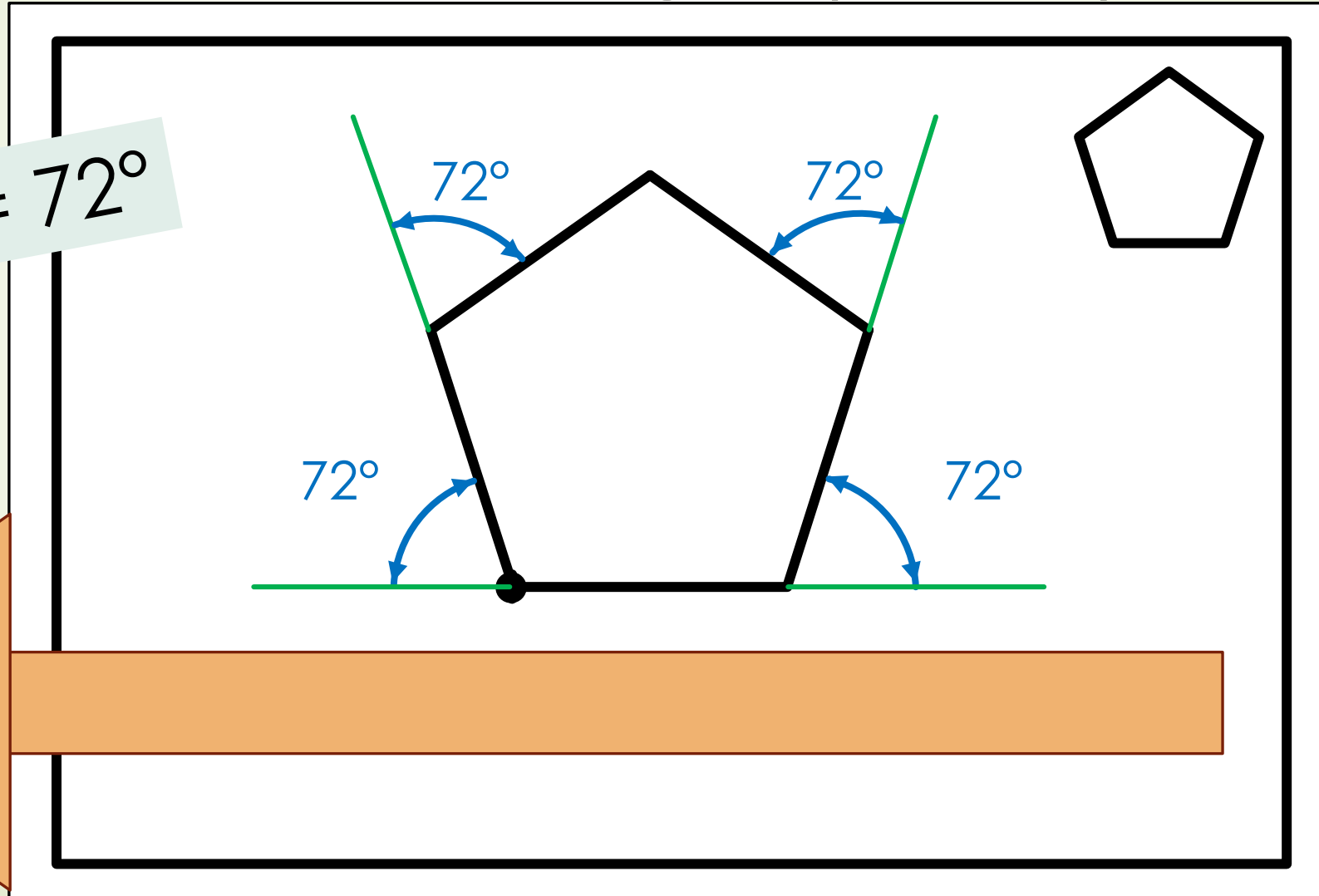
$$360^\circ \div 5 = 72^\circ$$



Constructing polygons

- ➔ Construct a **pentagon** (5 sides)

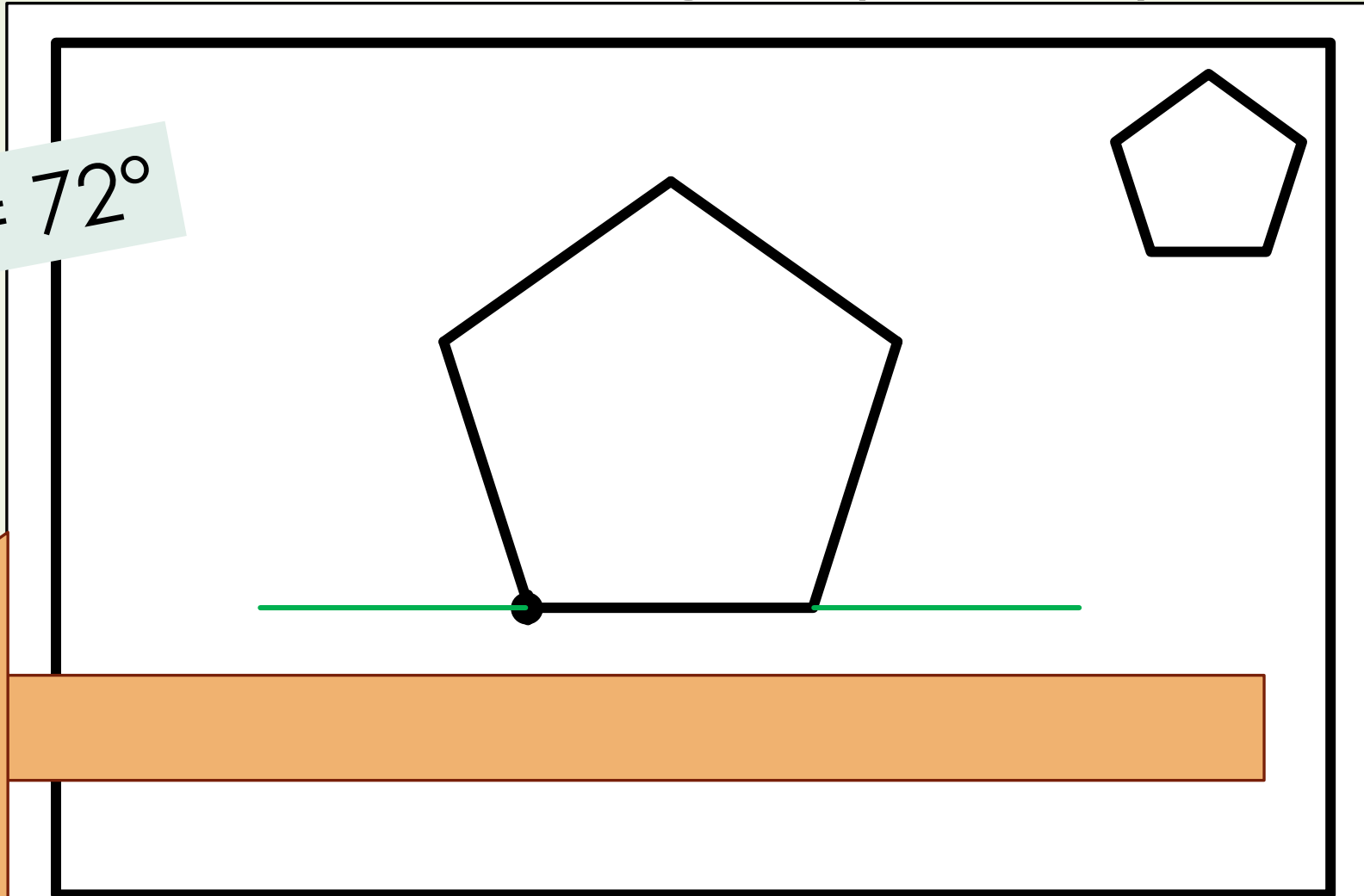
$$360^\circ \div 5 = 72^\circ$$



Constructing polygons

- ➔ Construct a **pentagon** (5 sides)

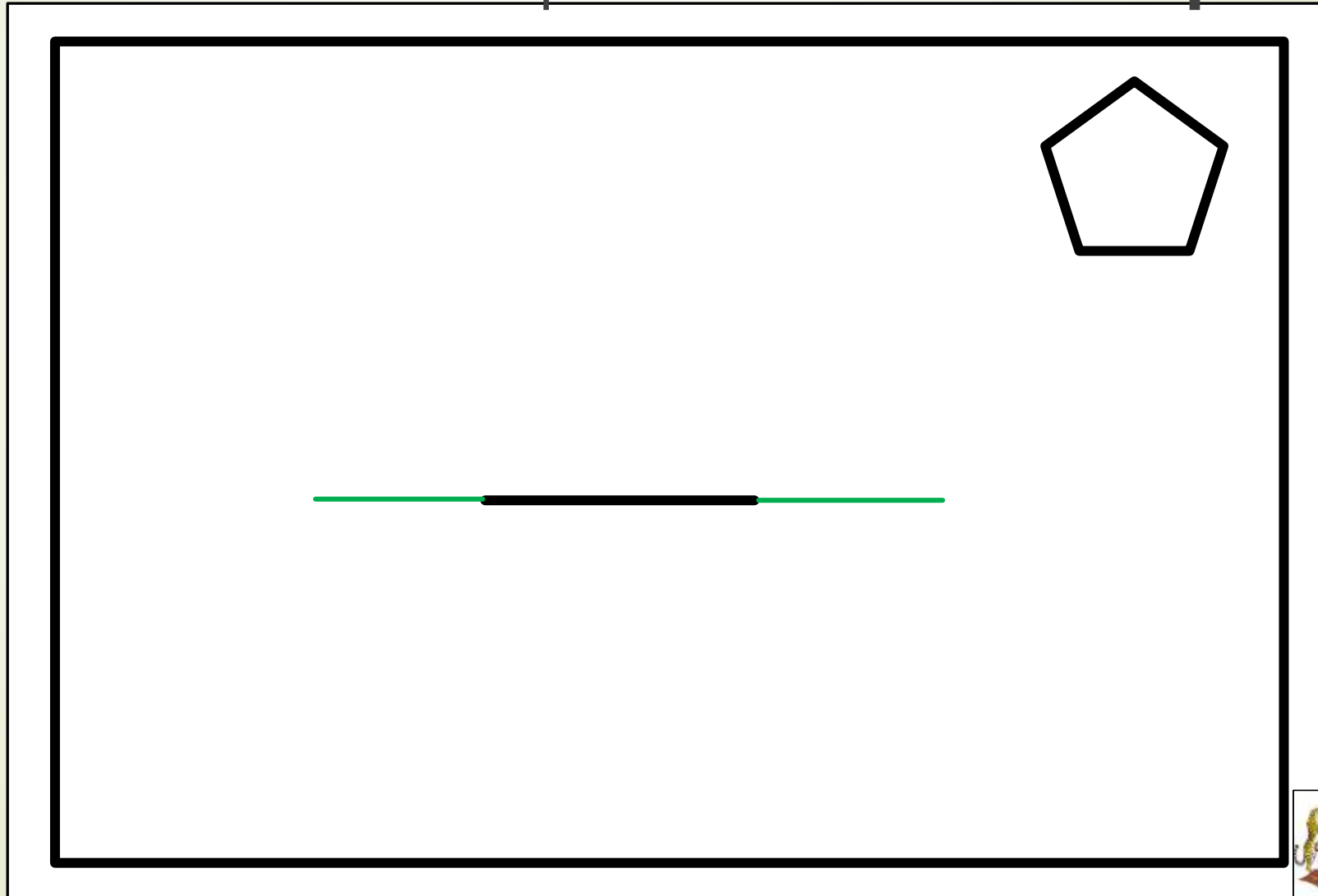
$$360^\circ \div 5 = 72^\circ$$



Constructing polygons

Method 1

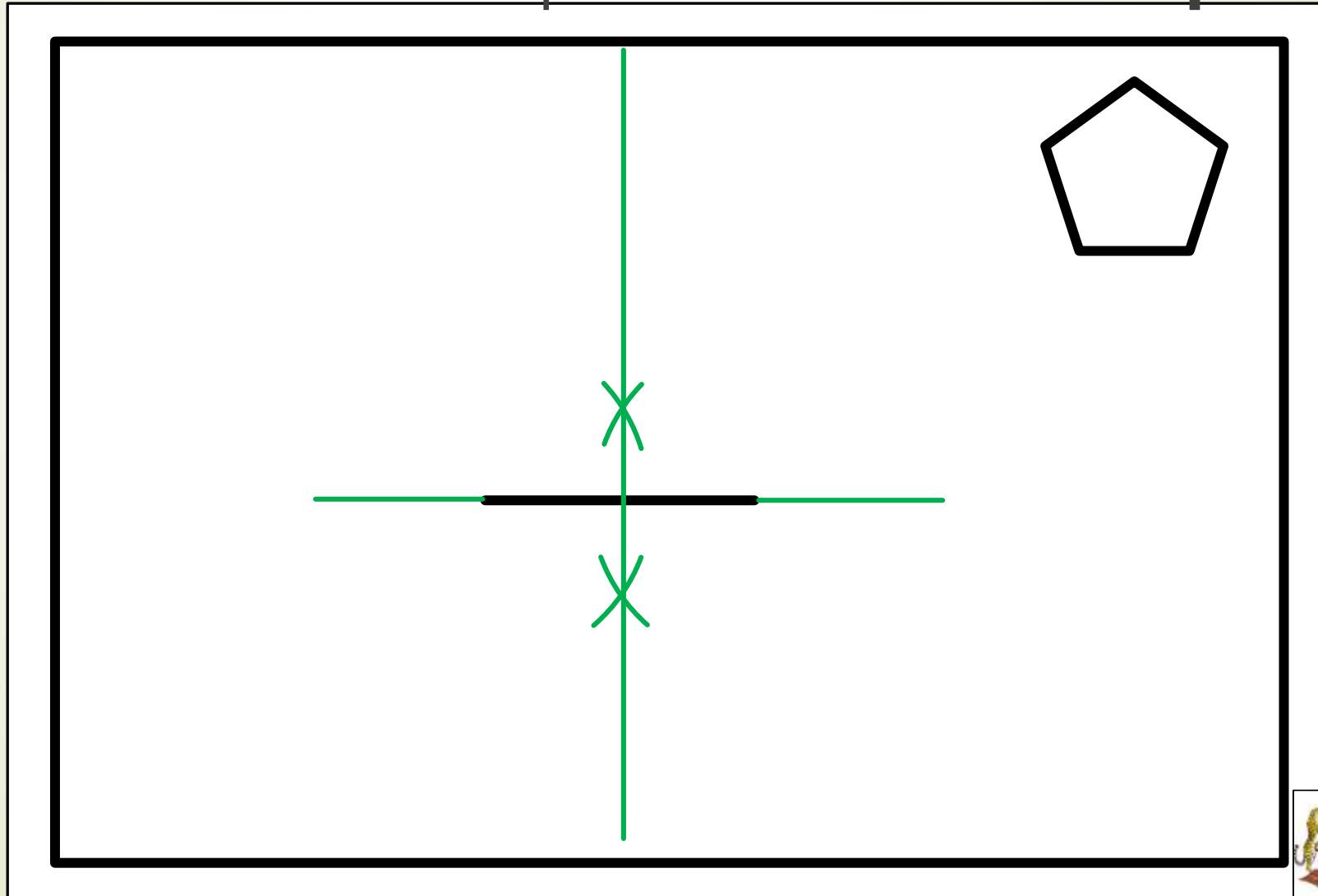
- By means of a compass construct a **pentagon**



Constructing polygons

Method 1
Step 1

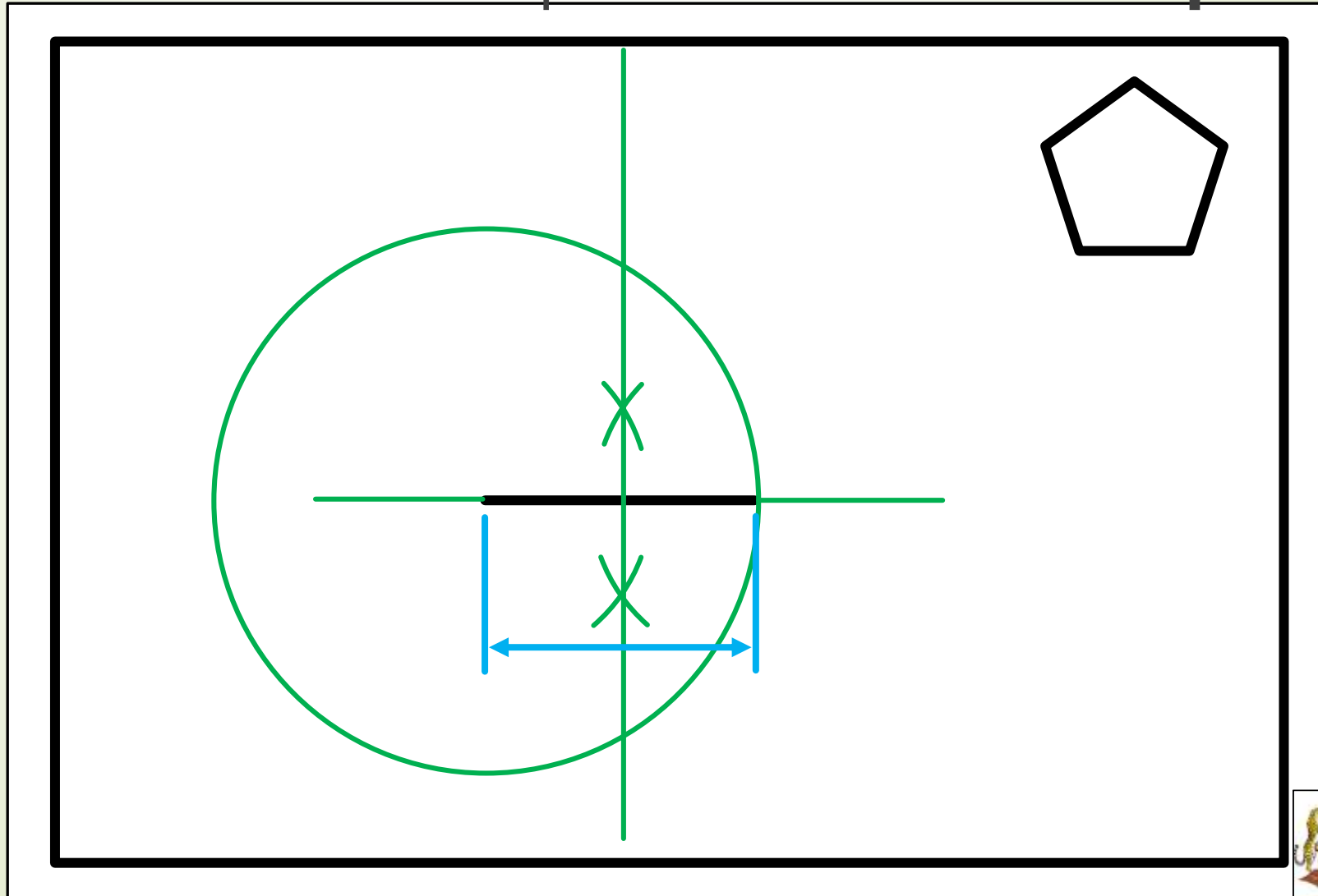
- By means of a compass construct a **pentagon**



Constructing polygons

Method 1
Step 2

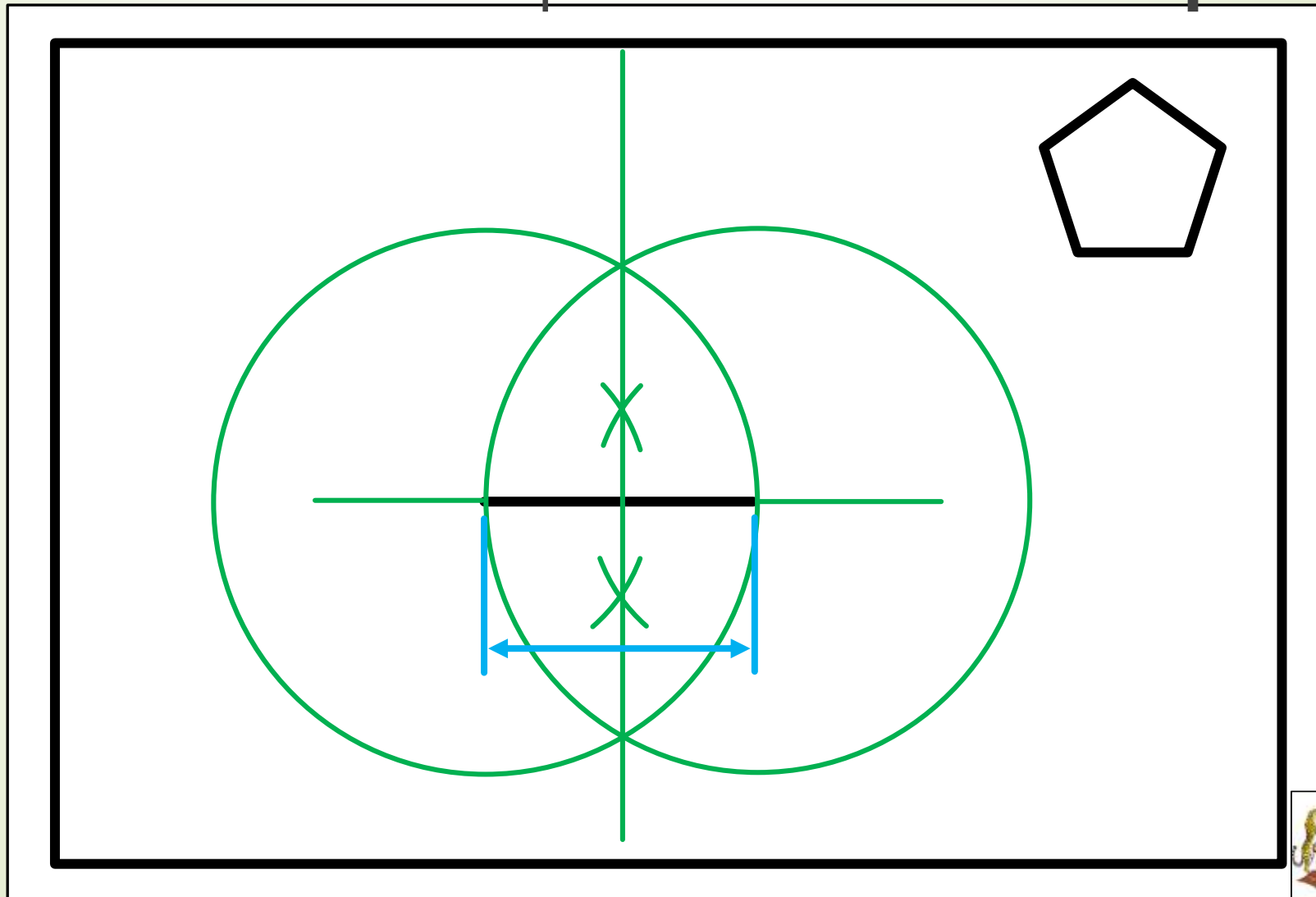
- By means of a compass construct a **pentagon**



Constructing polygons

Method 1
Step 3

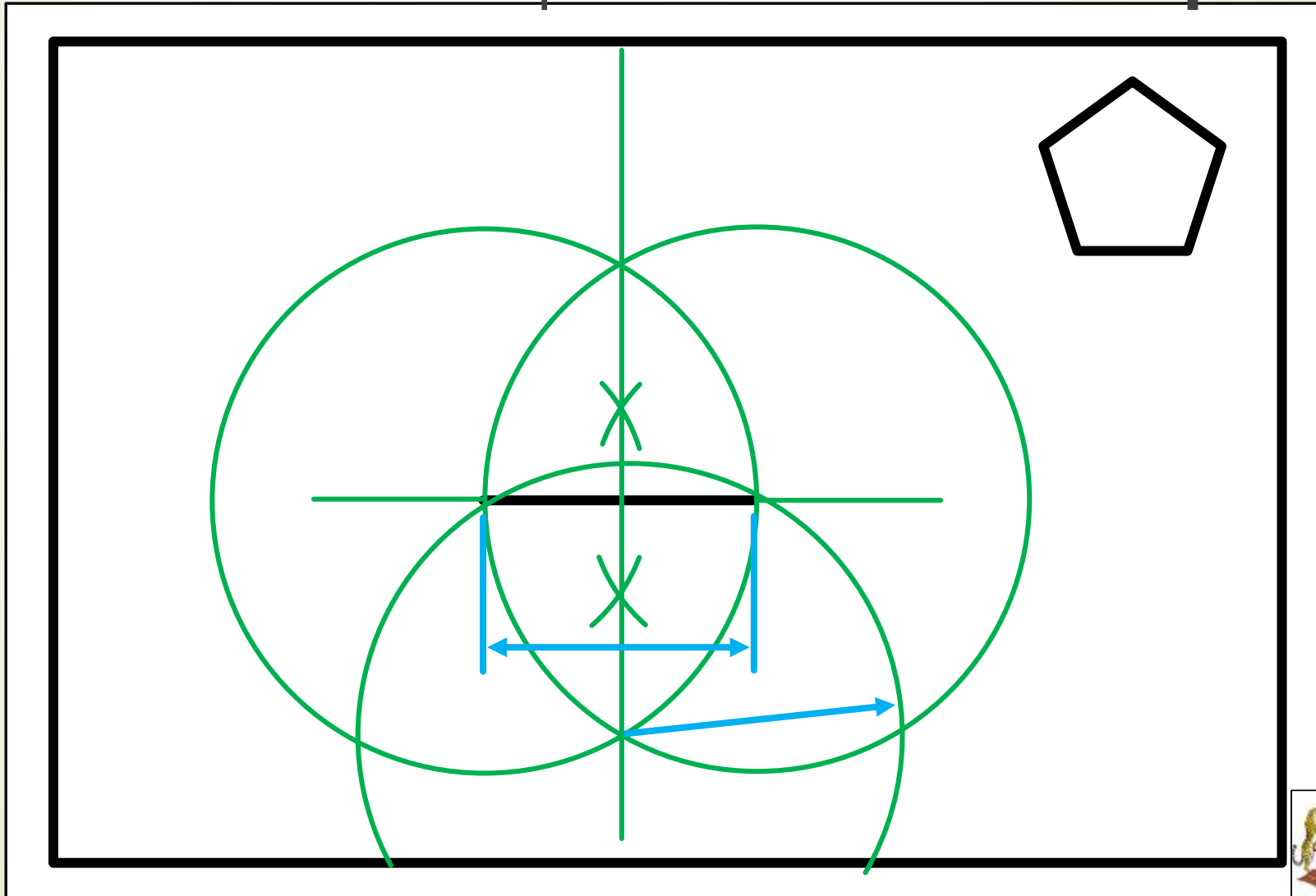
- By means of a compass construct a **pentagon**



Constructing polygons

Method 1
Step 4

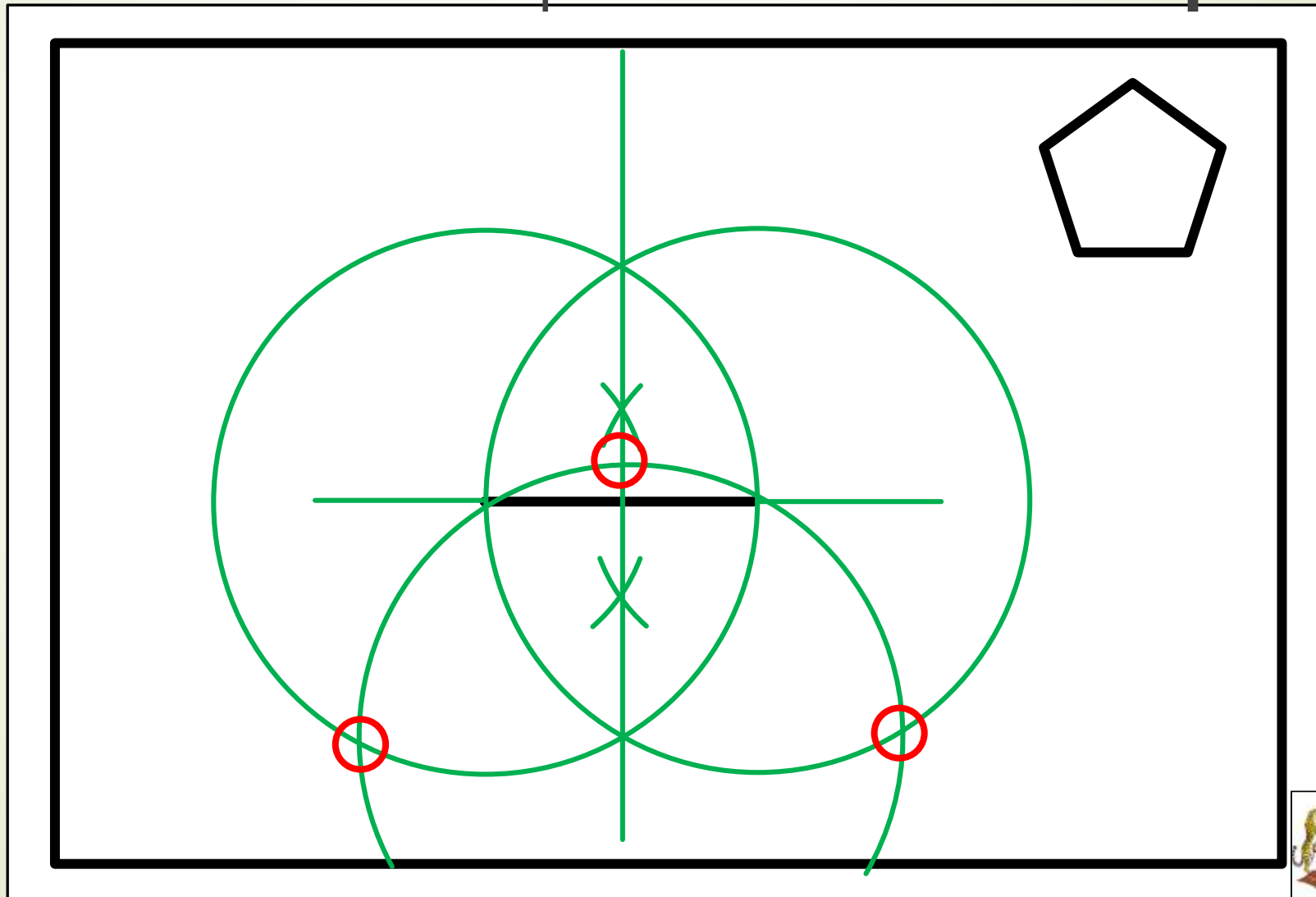
- By means of a compass construct a **pentagon**



Constructing polygons

Method 1
Step 5

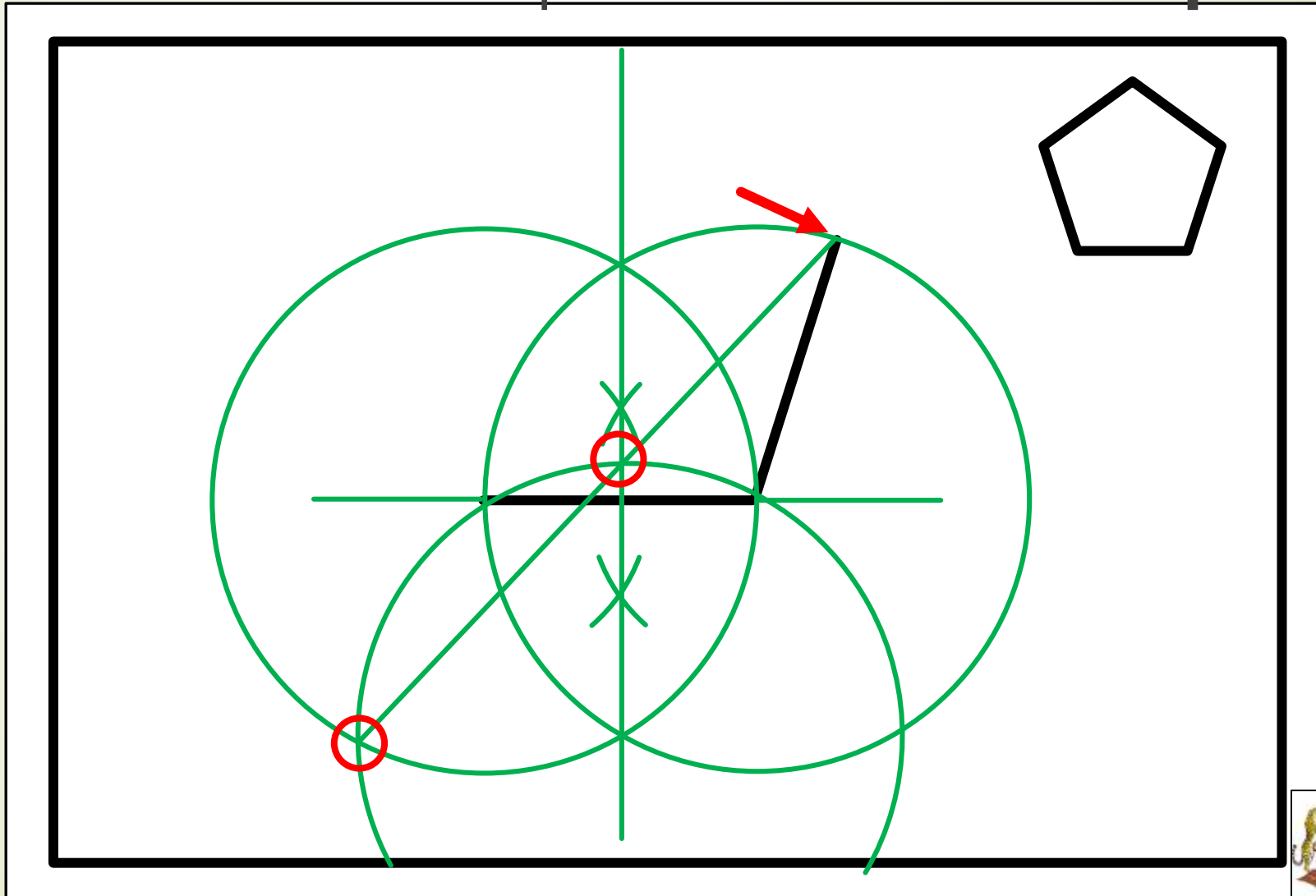
- By means of a compass construct a **pentagon**



Constructing polygons

Method 1
Step 6

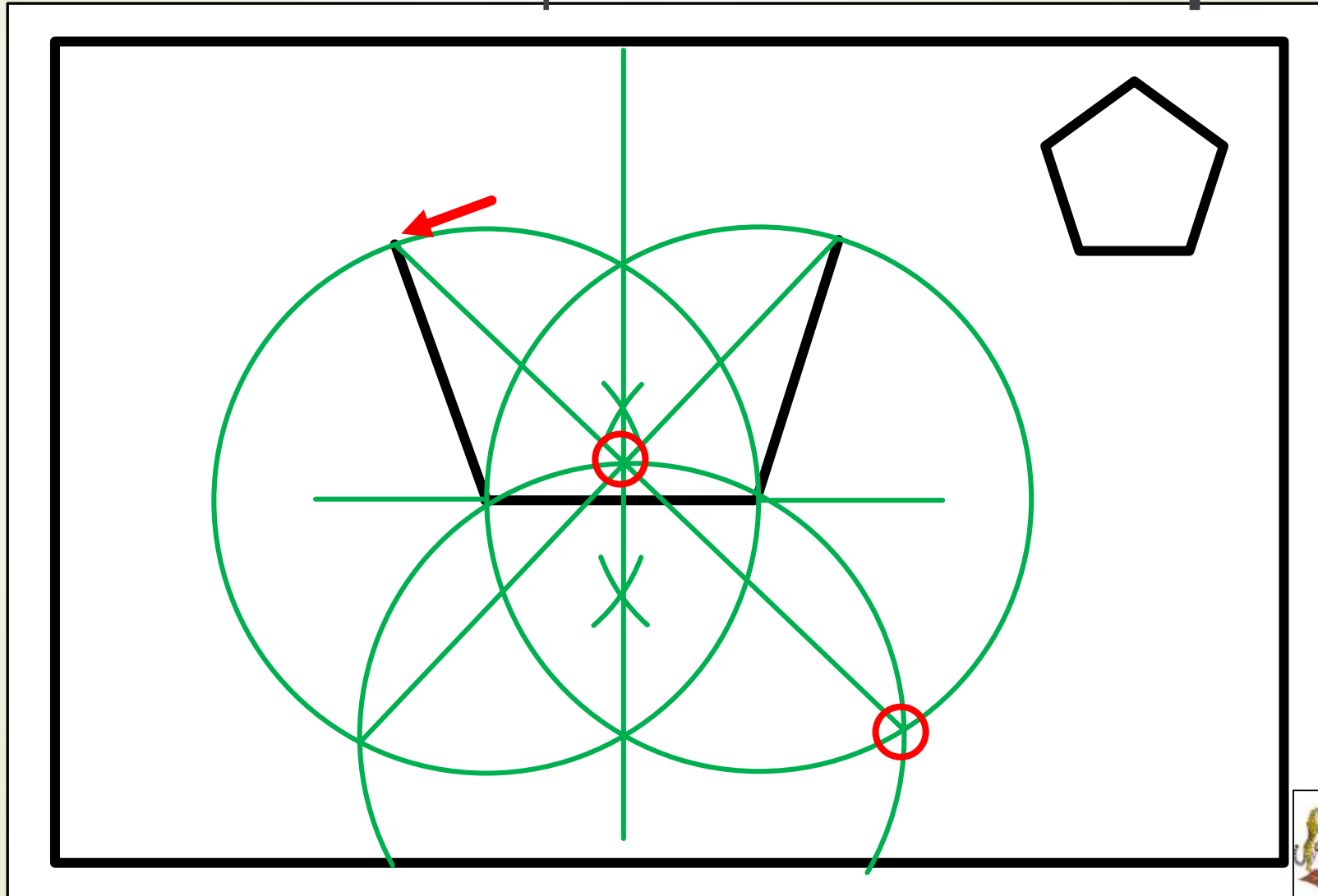
- By means of a compass construct a **pentagon**



Constructing polygons

Method 1
Step 7

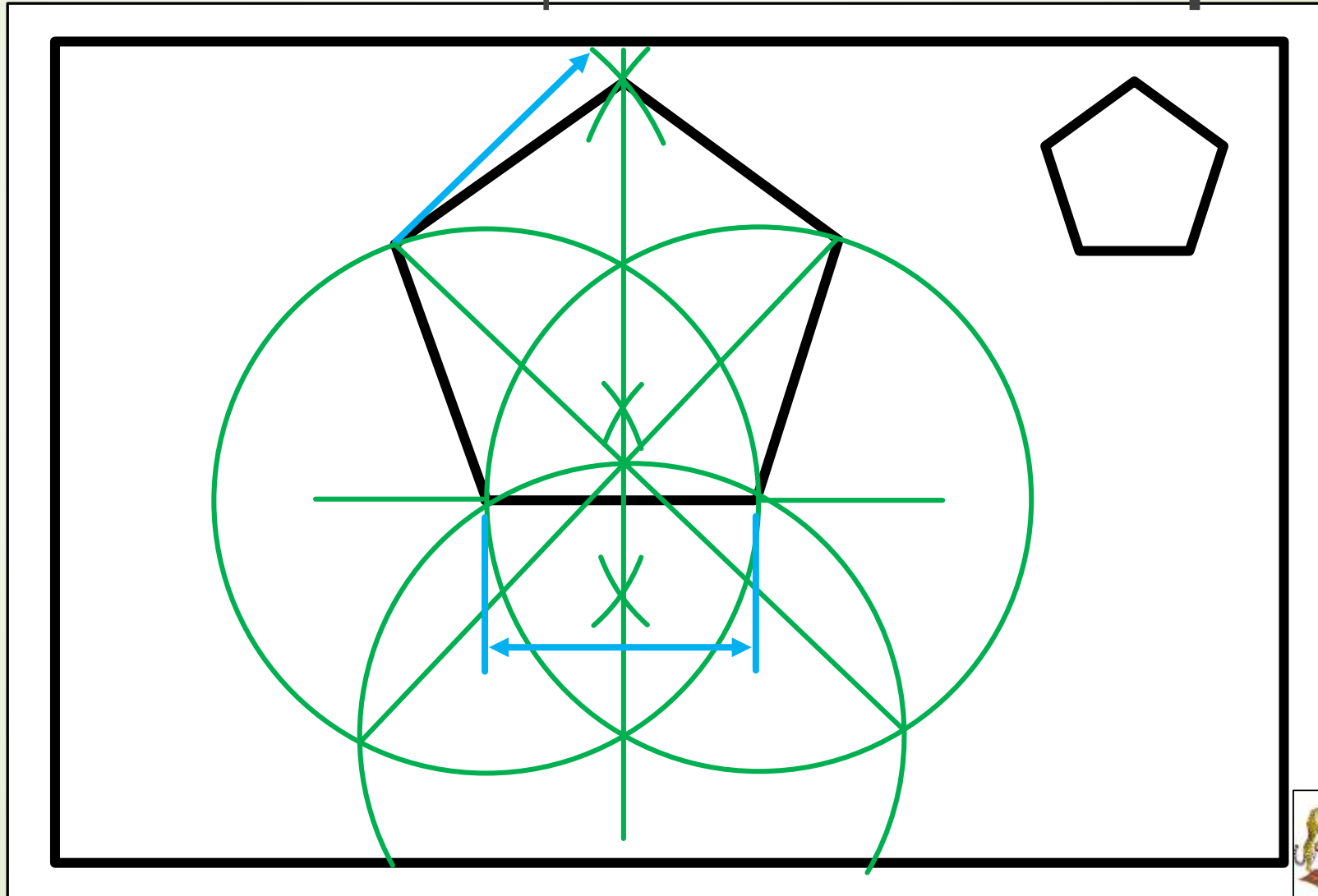
- By means of a compass construct a **pentagon**



Constructing polygons

Method 1
Step 9

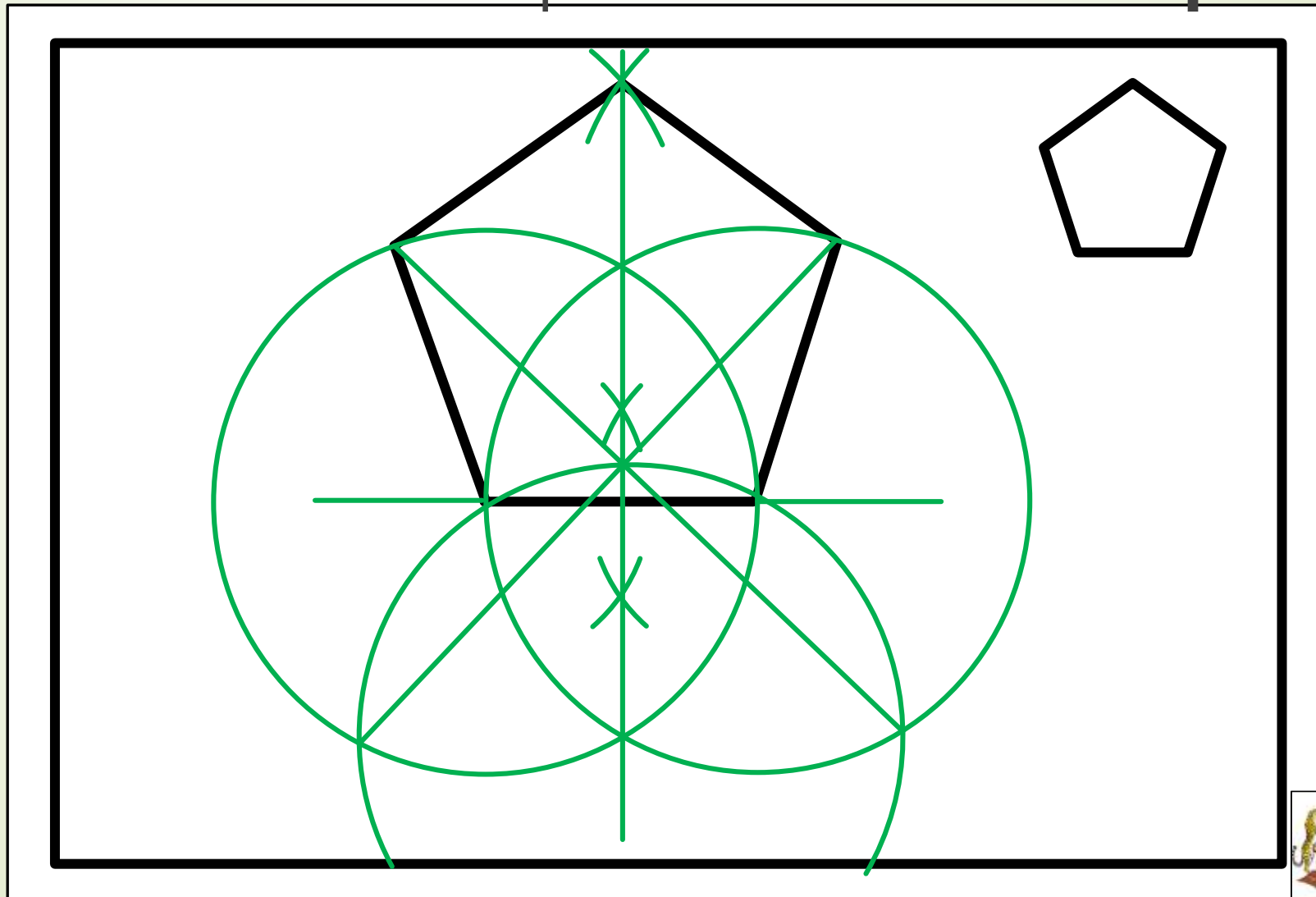
- By means of a compass construct a **pentagon**



Constructing polygons

Method 1

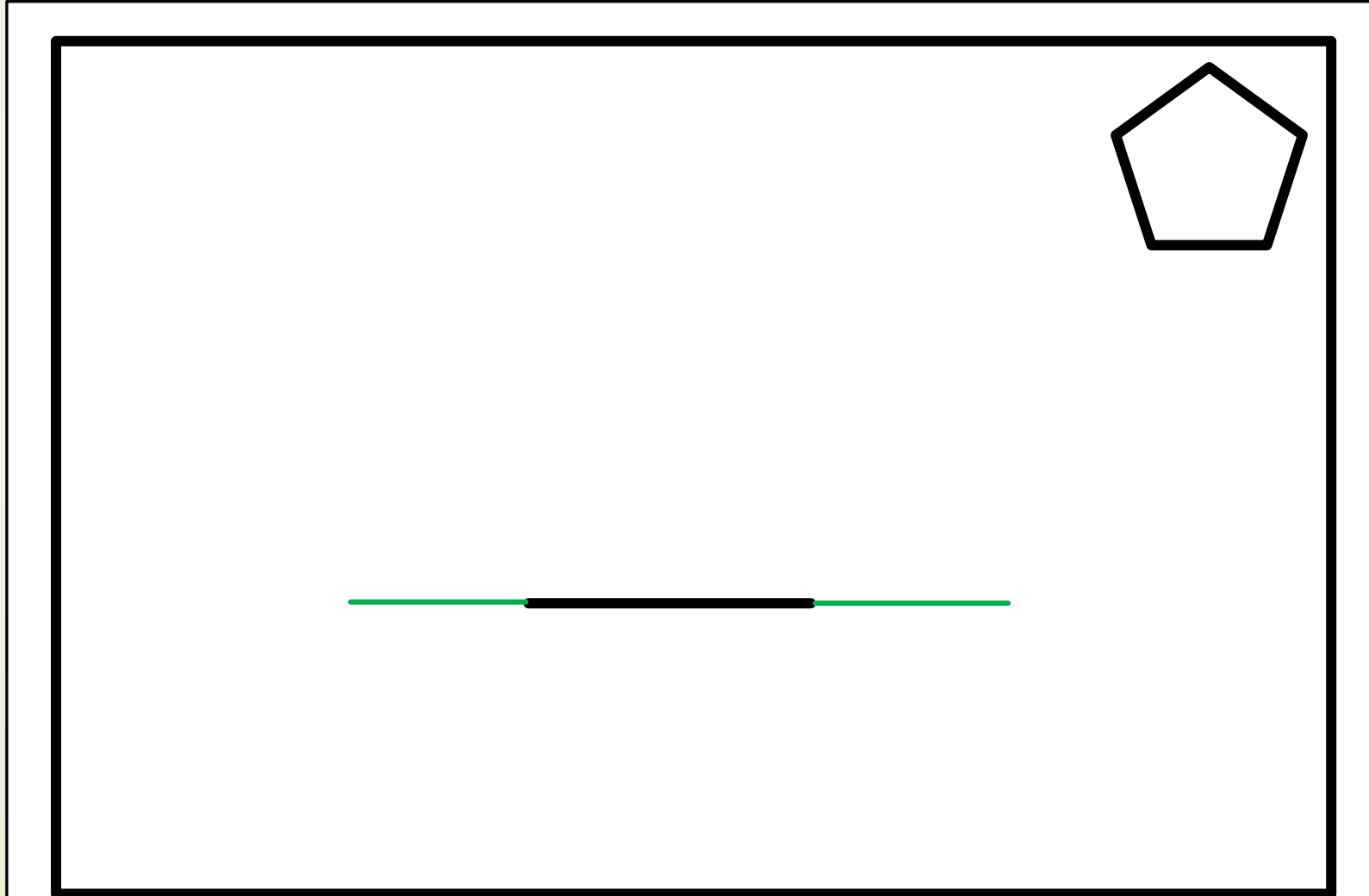
- By means of a compass construct a **pentagon**



Constructing polygons

Method 2

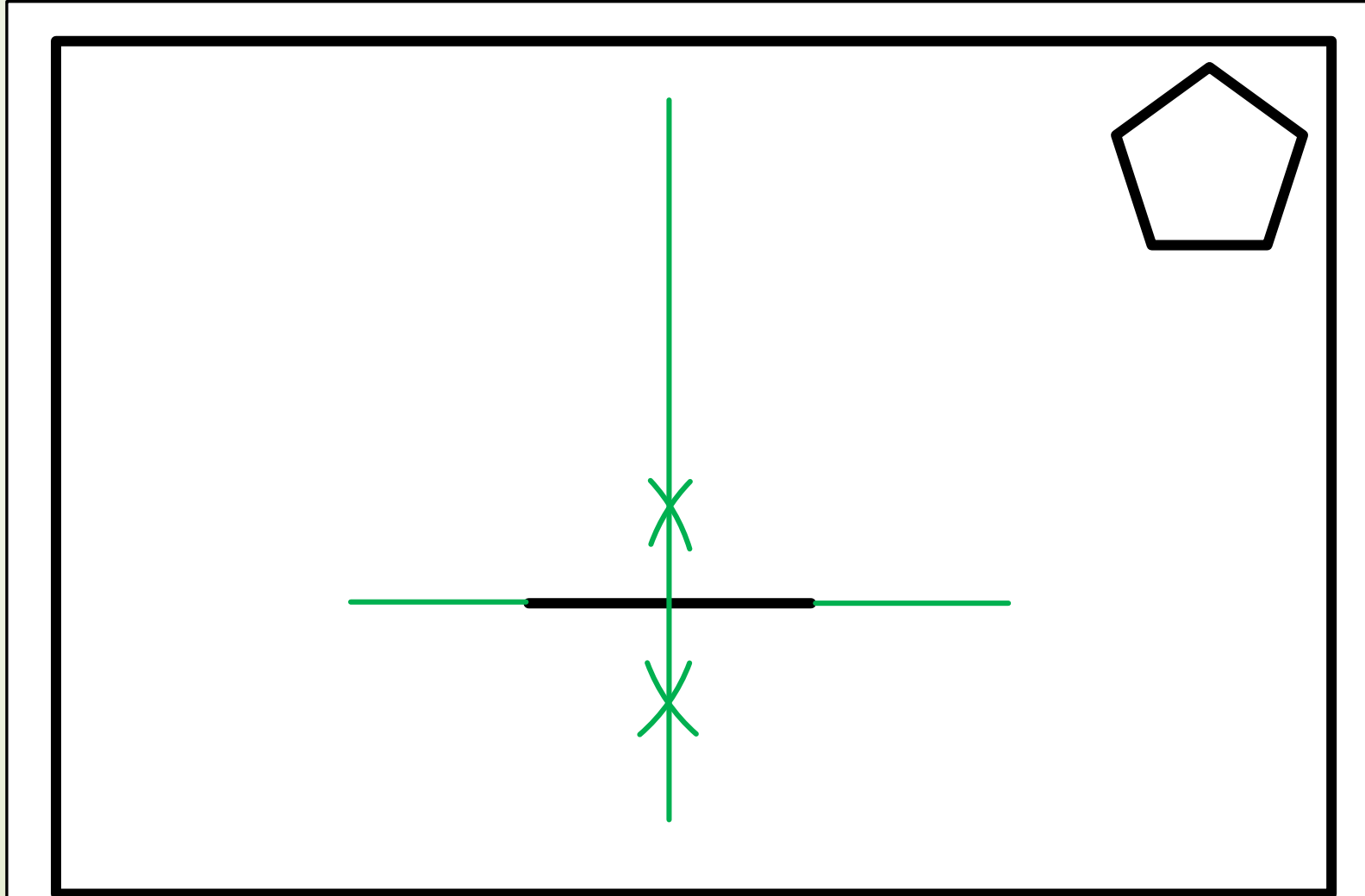
- By means of a compass construct a **pentagon**



Constructing polygons

Method 2
Step 1

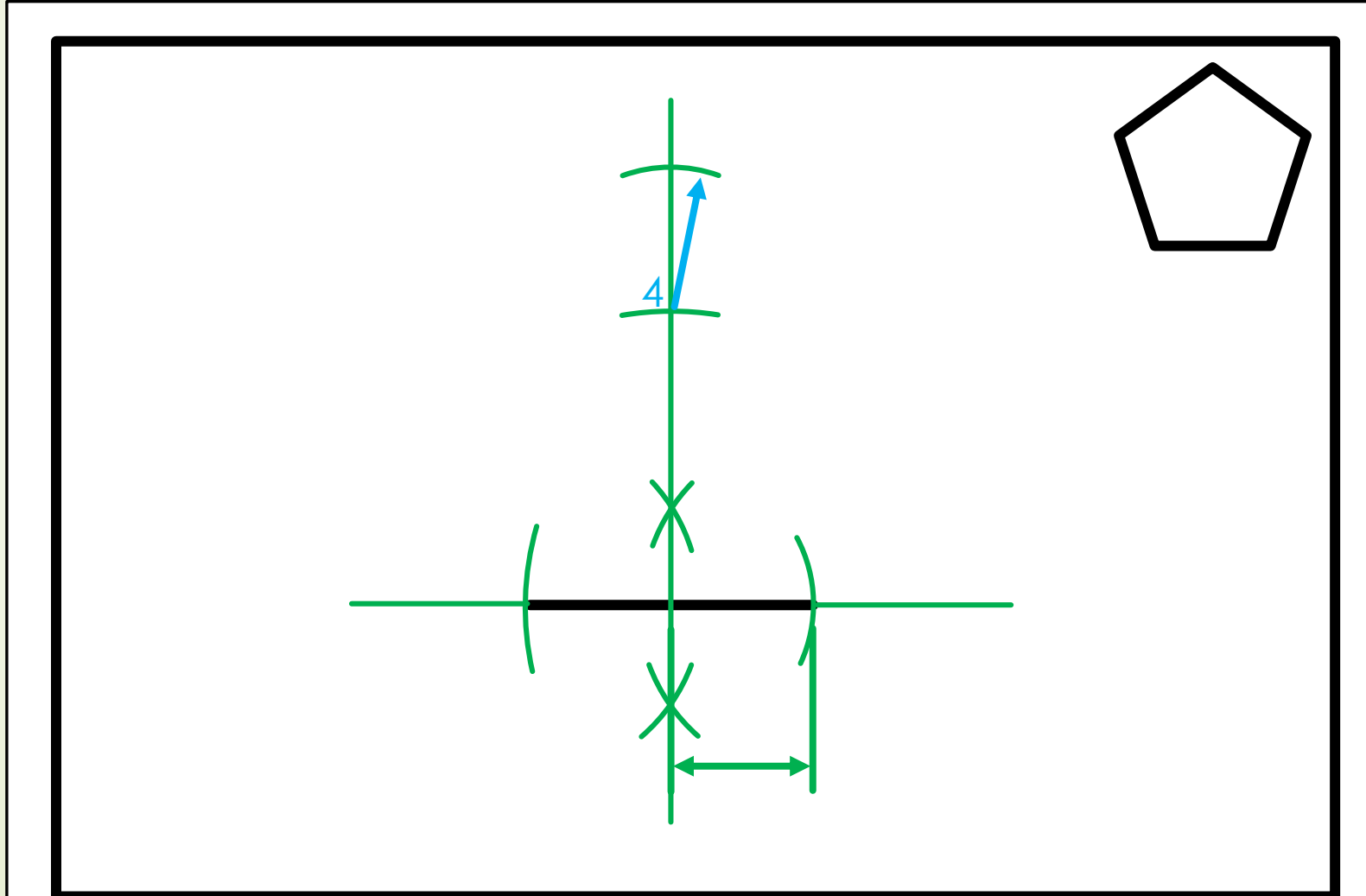
- By means of a compass construct a **pentagon**



Constructing polygons

Method 2
Step 3

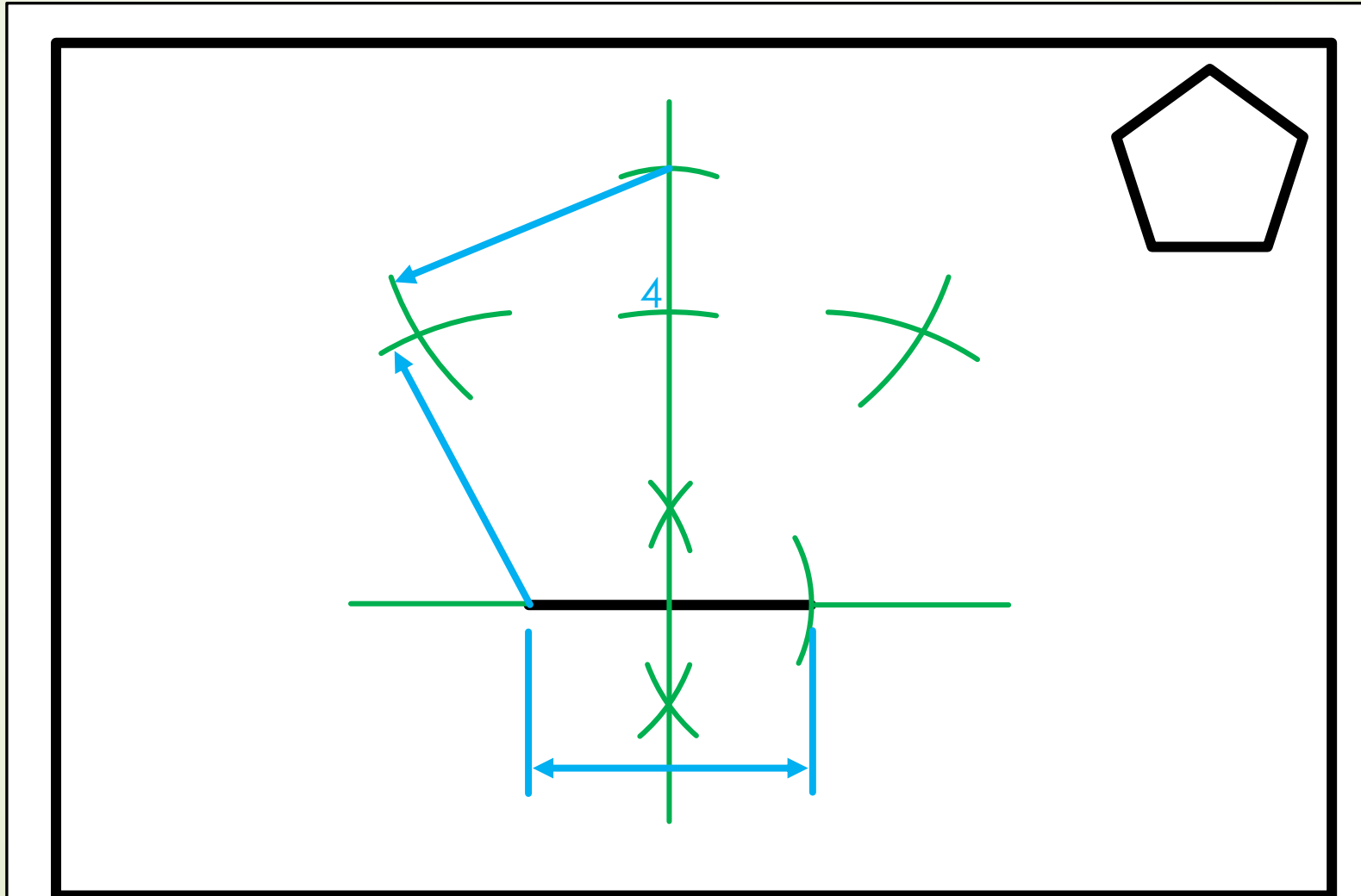
- By means of a compass construct a **pentagon**



Constructing polygons

Method 2
Step 4

- By means of a compass construct a **pentagon**



Constructing polygons

Method 2
Step 5

- By means of a compass construct a **pentagon**

