



Constructing polygons

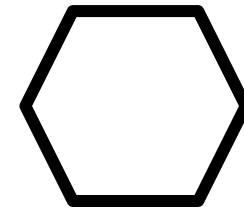
Hexagone

Developed by: PC Viljoen
Senior Educational Specialist for
Engineering Graphics and Design
Free State Province

Constructing polygons

- ➔ Construct a **hexagon** (6 sides)

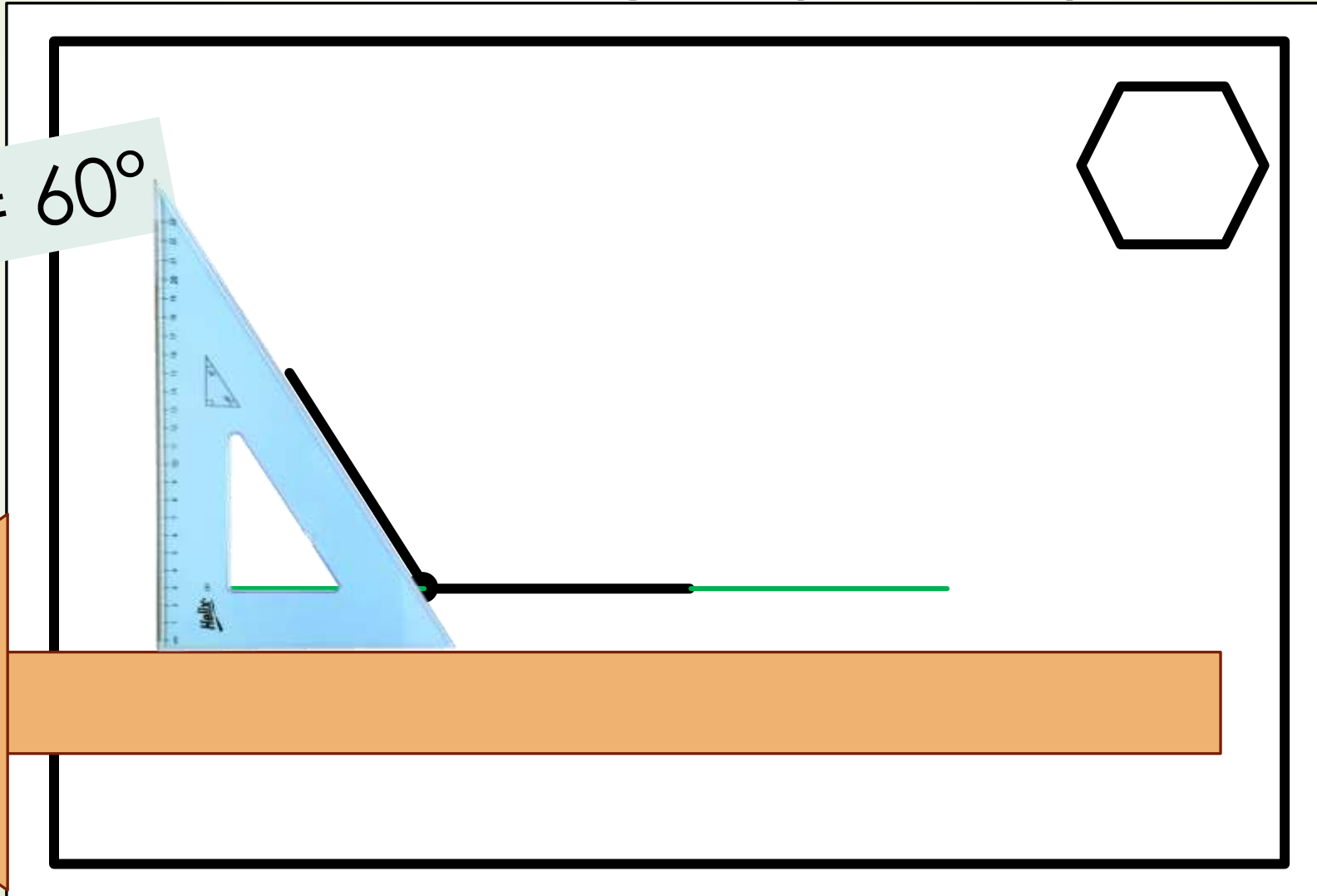
$$360^\circ \div 6 = 60^\circ$$



Constructing polygons

- ➔ Construct a **hexagon** (6 sides)

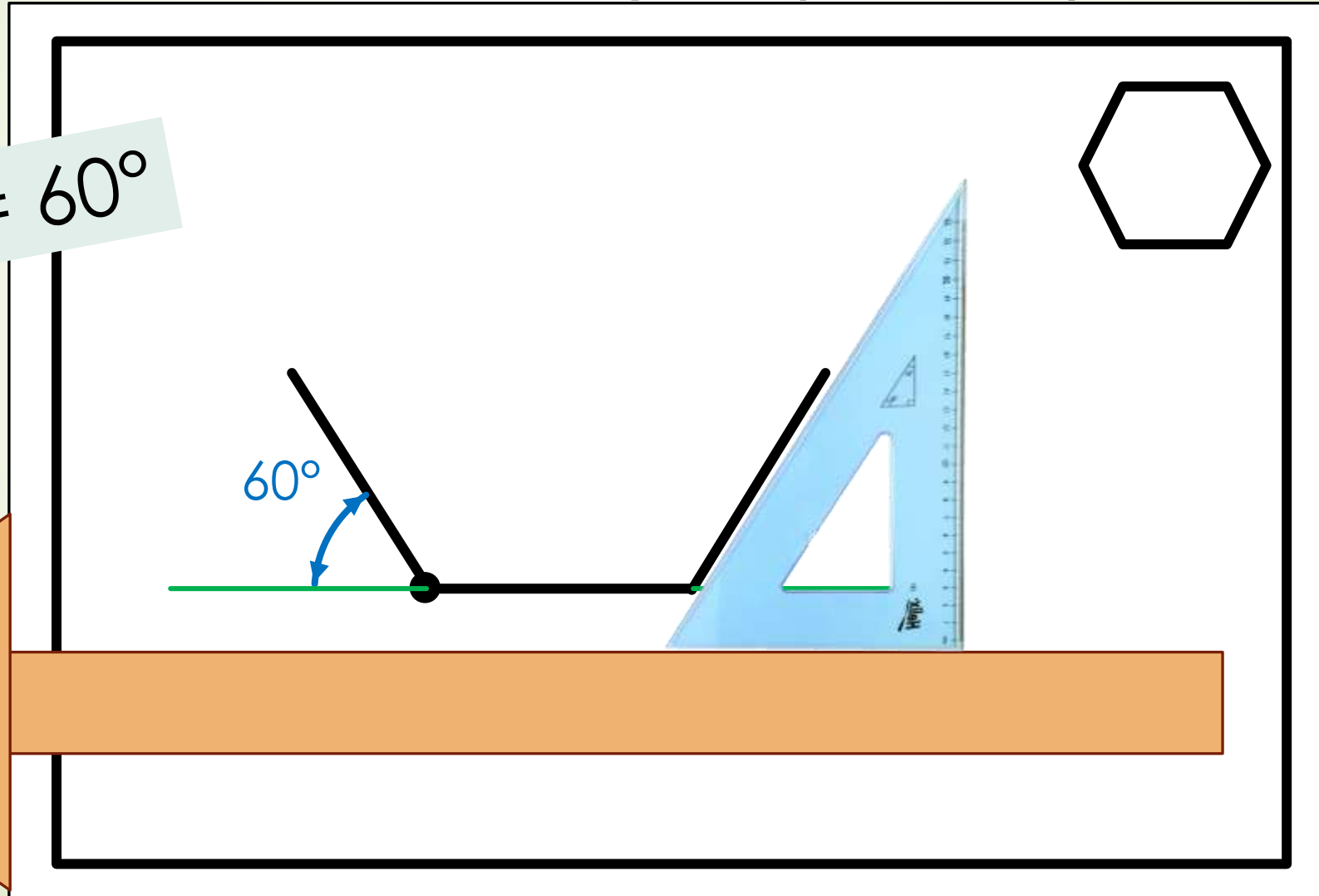
$$360^\circ \div 6 = 60^\circ$$



Constructing polygons

- ➔ Construct a **hexagon** (6 sides)

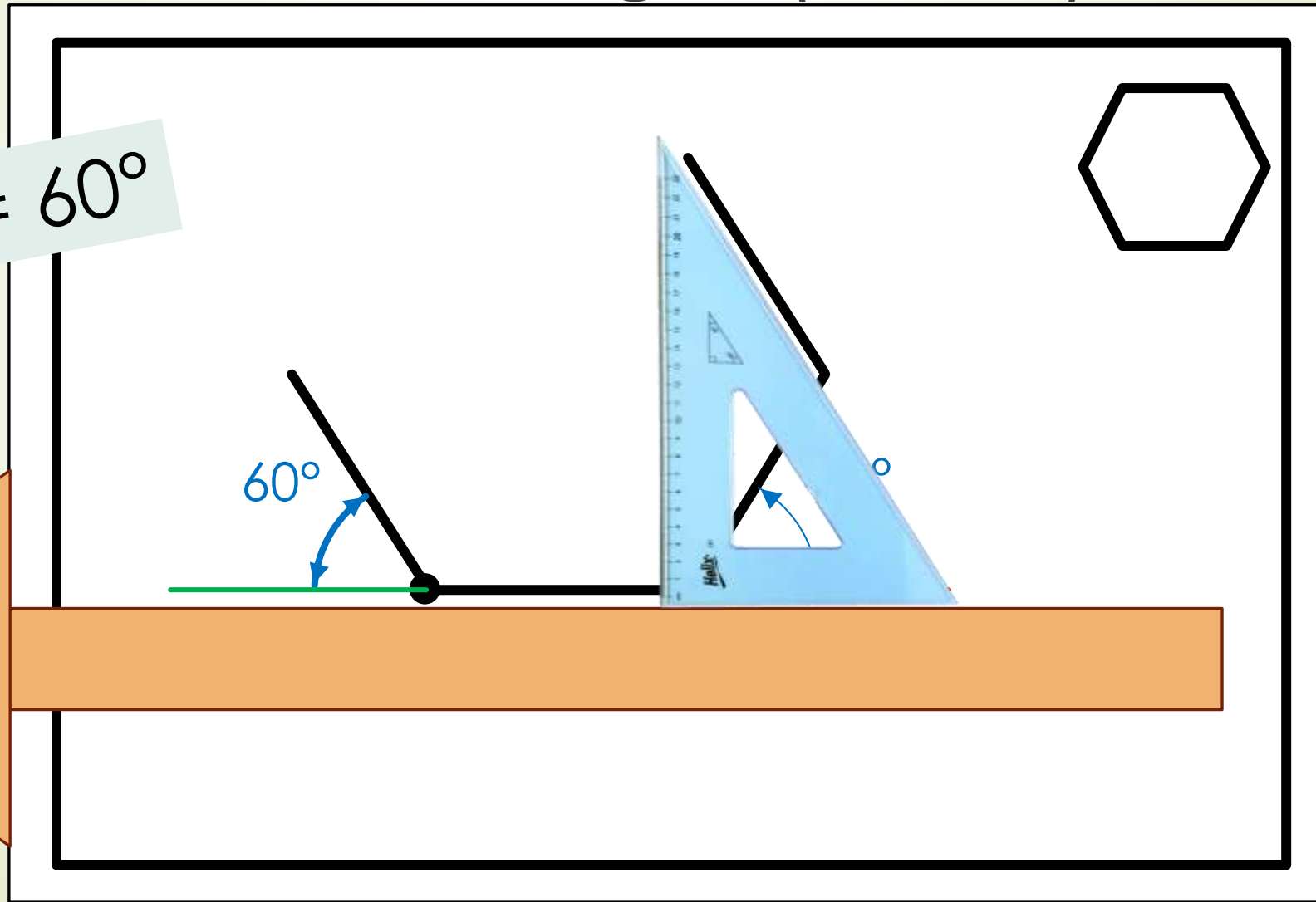
$$360^\circ \div 6 = 60^\circ$$



Constructing polygons

- ➔ Construct a **hexagon** (6 sides)

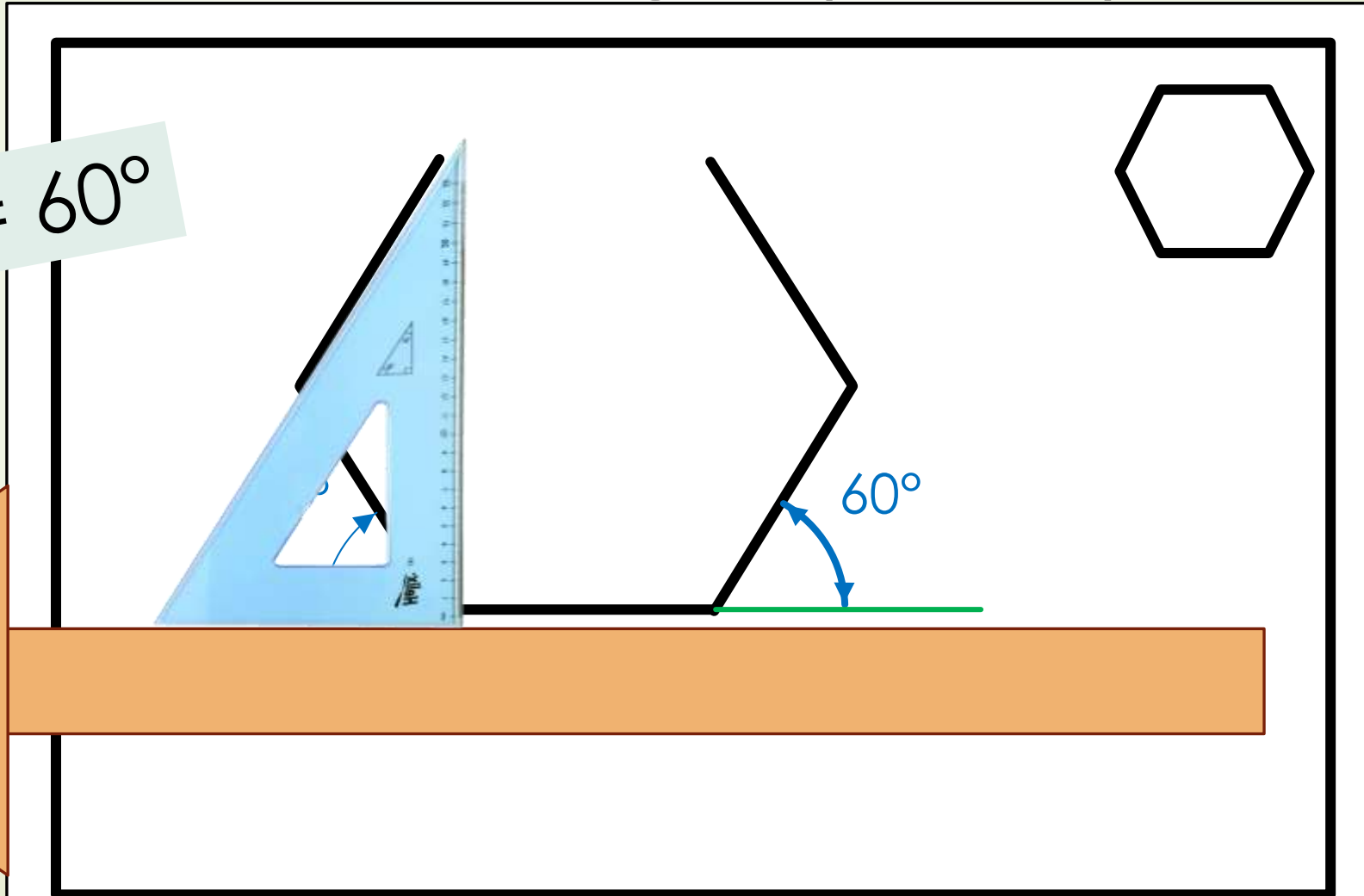
$$360^\circ \div 6 = 60^\circ$$



Constructing polygons

- ➔ Construct a **hexagon** (6 sides)

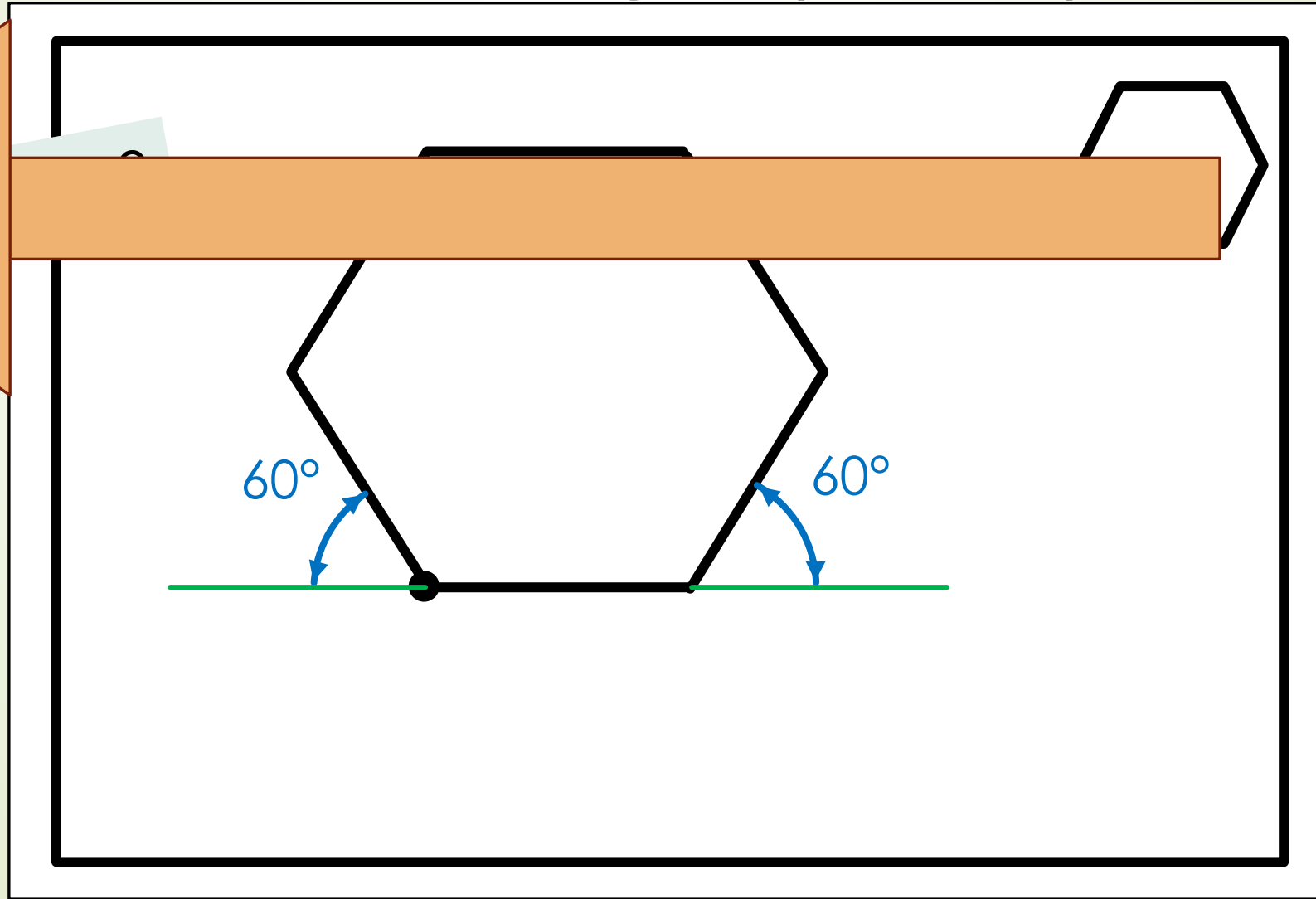
$$360^\circ \div 6 = 60^\circ$$



Constructing polygons

- Construct a **hexagon** (6 sides)

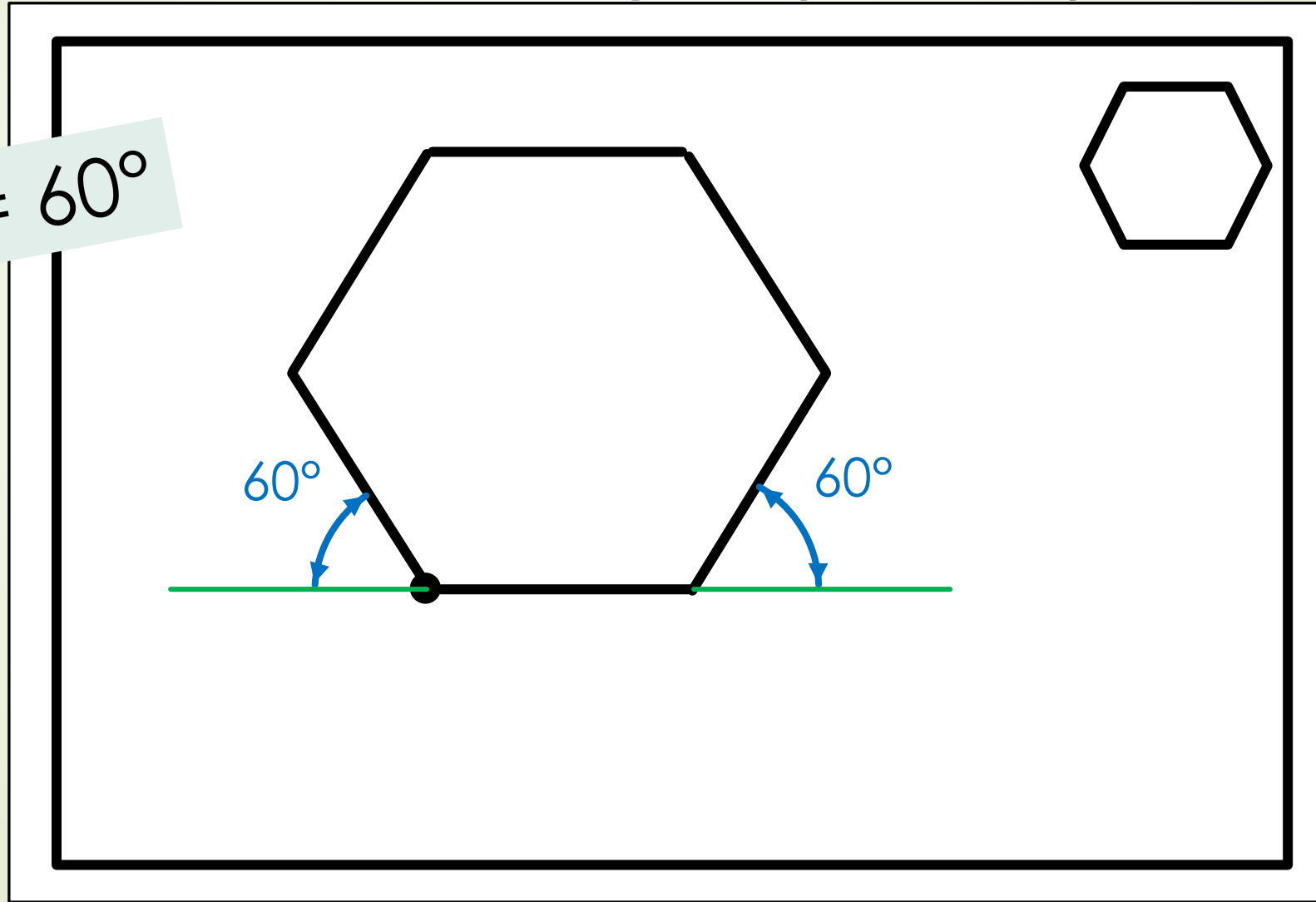
$$360^\circ \div 6$$



Constructing polygons

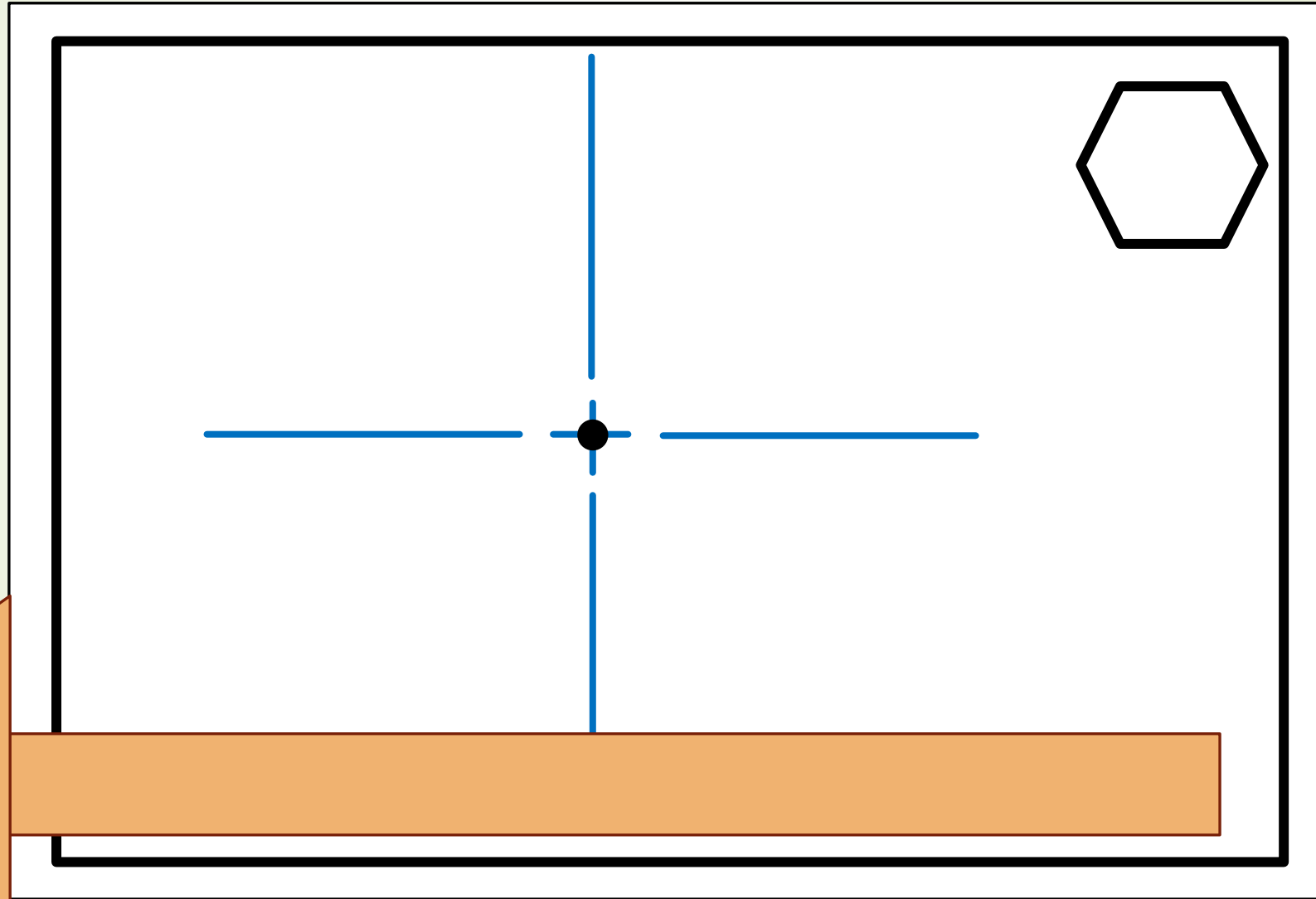
- ➔ Construct a **hexagon** (6 sides)

$$360^\circ \div 6 = 60^\circ$$



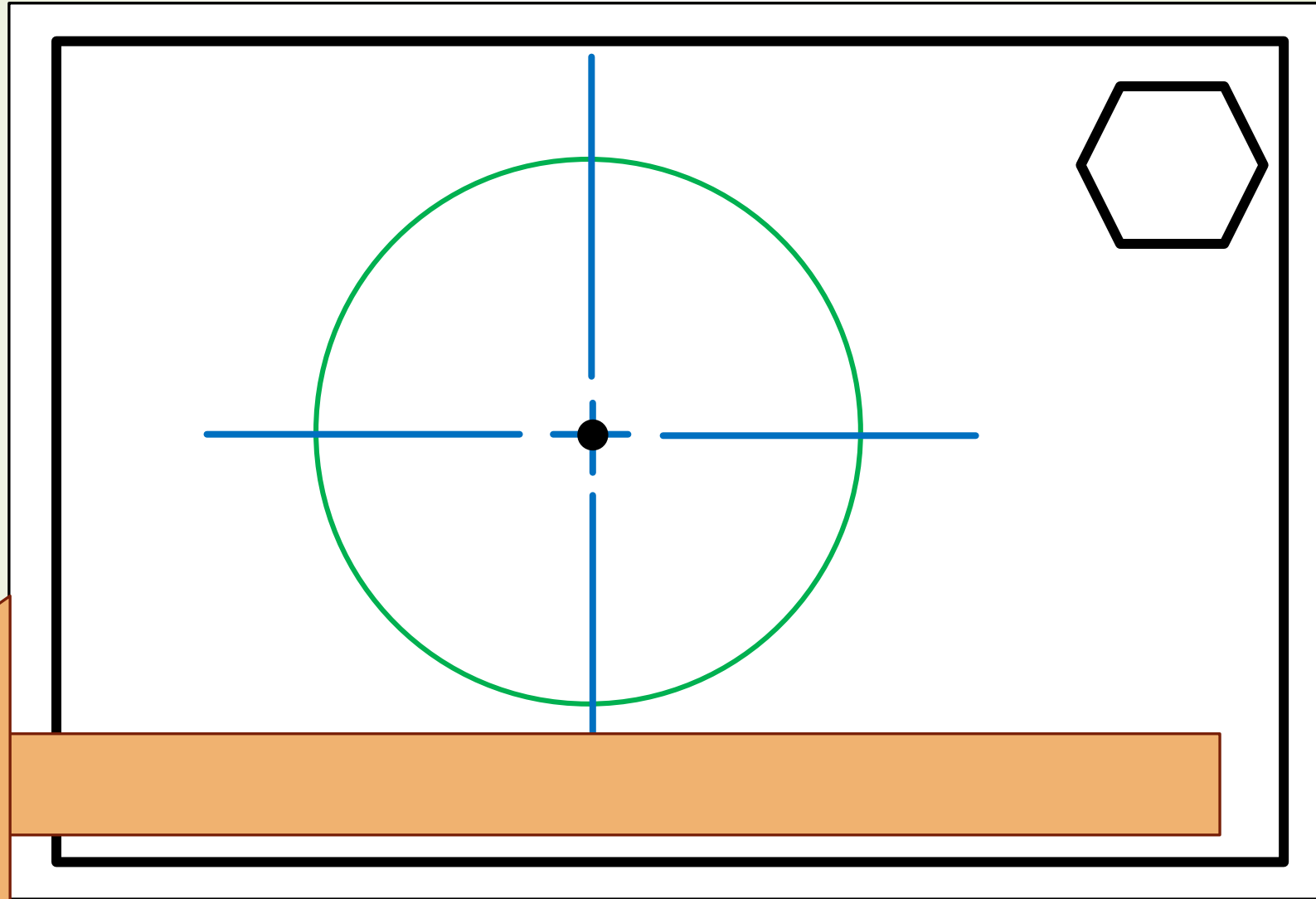
Constructing polygons

- Construction of a **hexagon** – Inscribed method



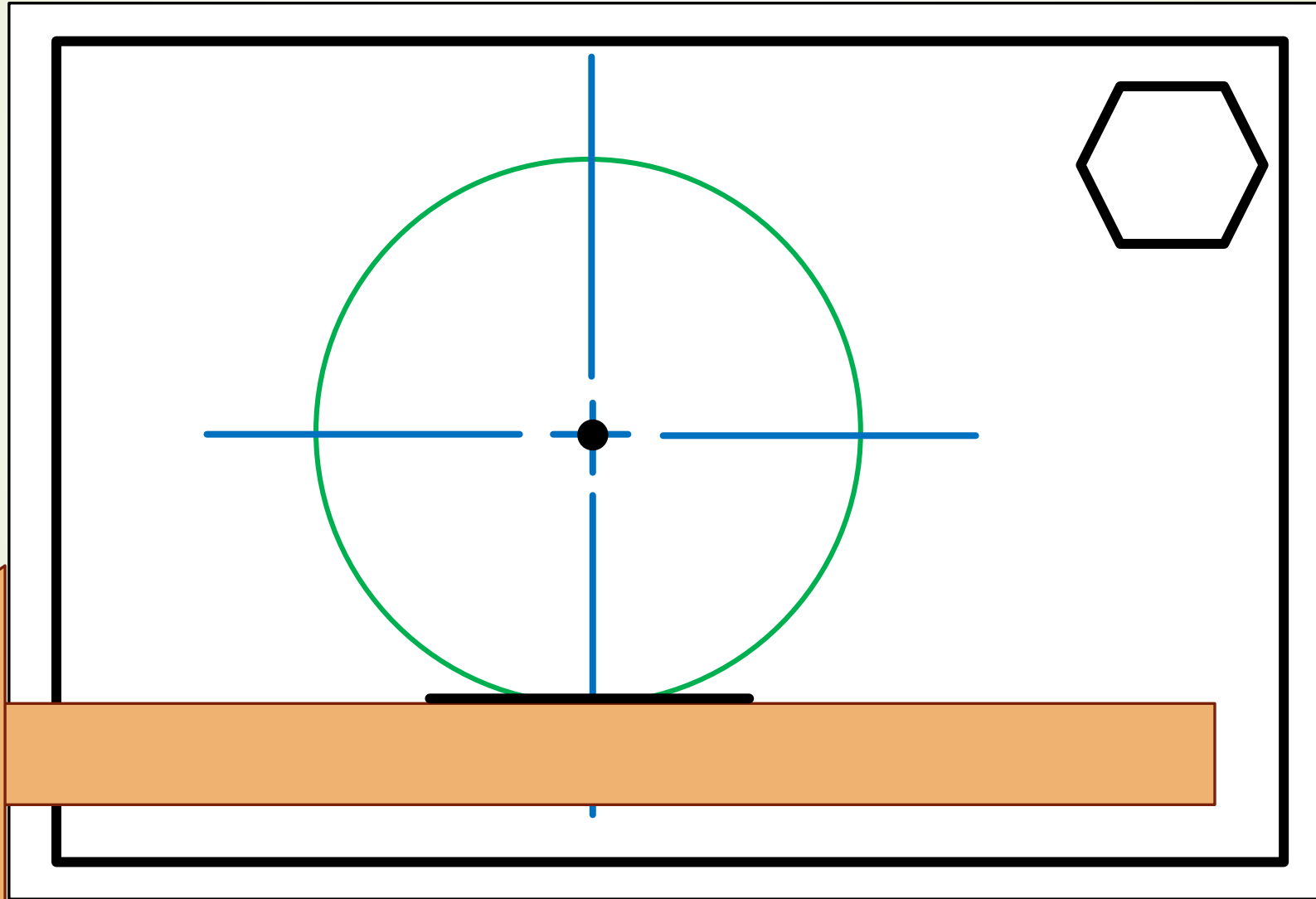
Constructing polygons

- Construction of a **hexagon** – Inscribed method



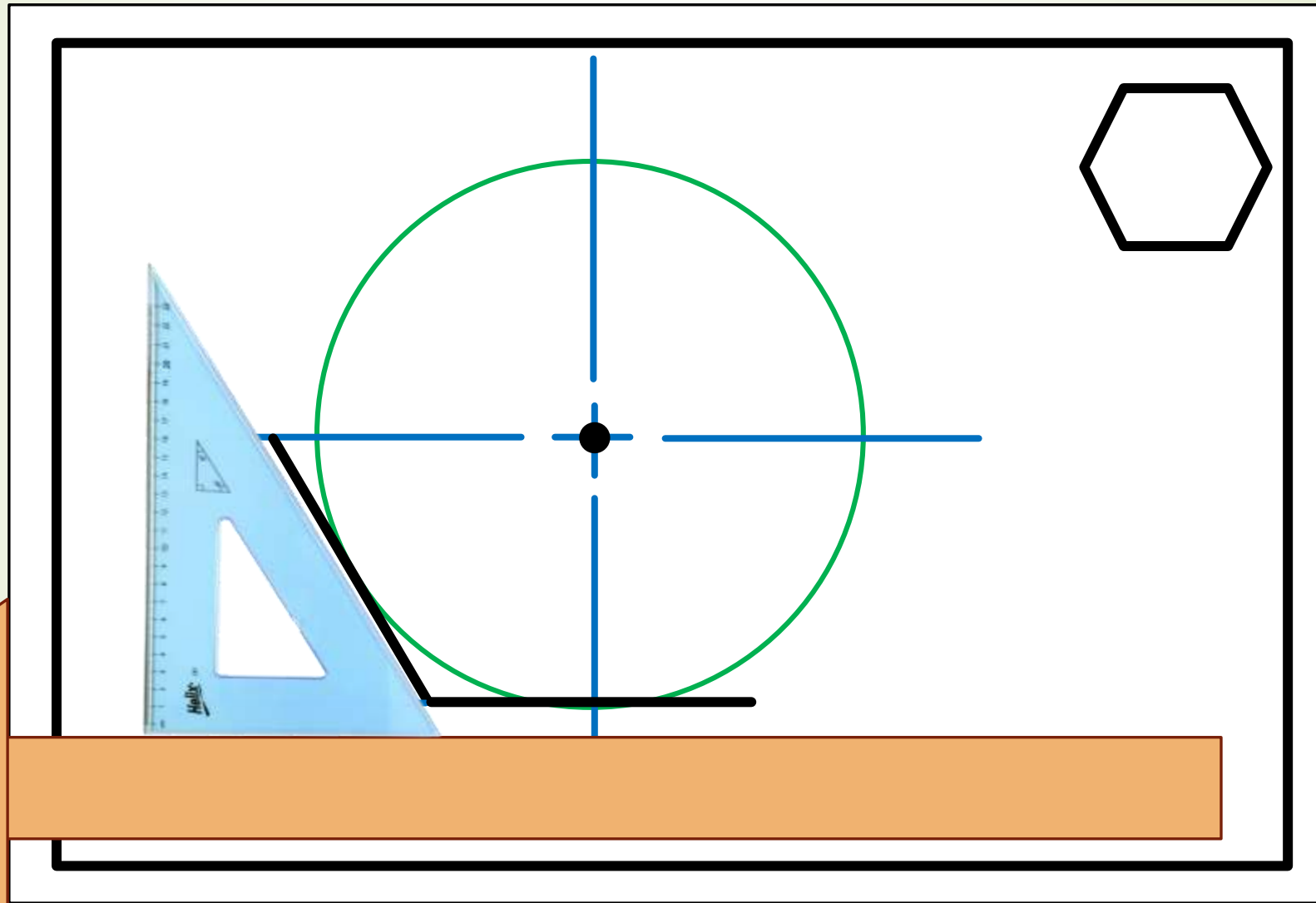
Constructing polygons

- Construction of a **hexagon** – Inscribed method



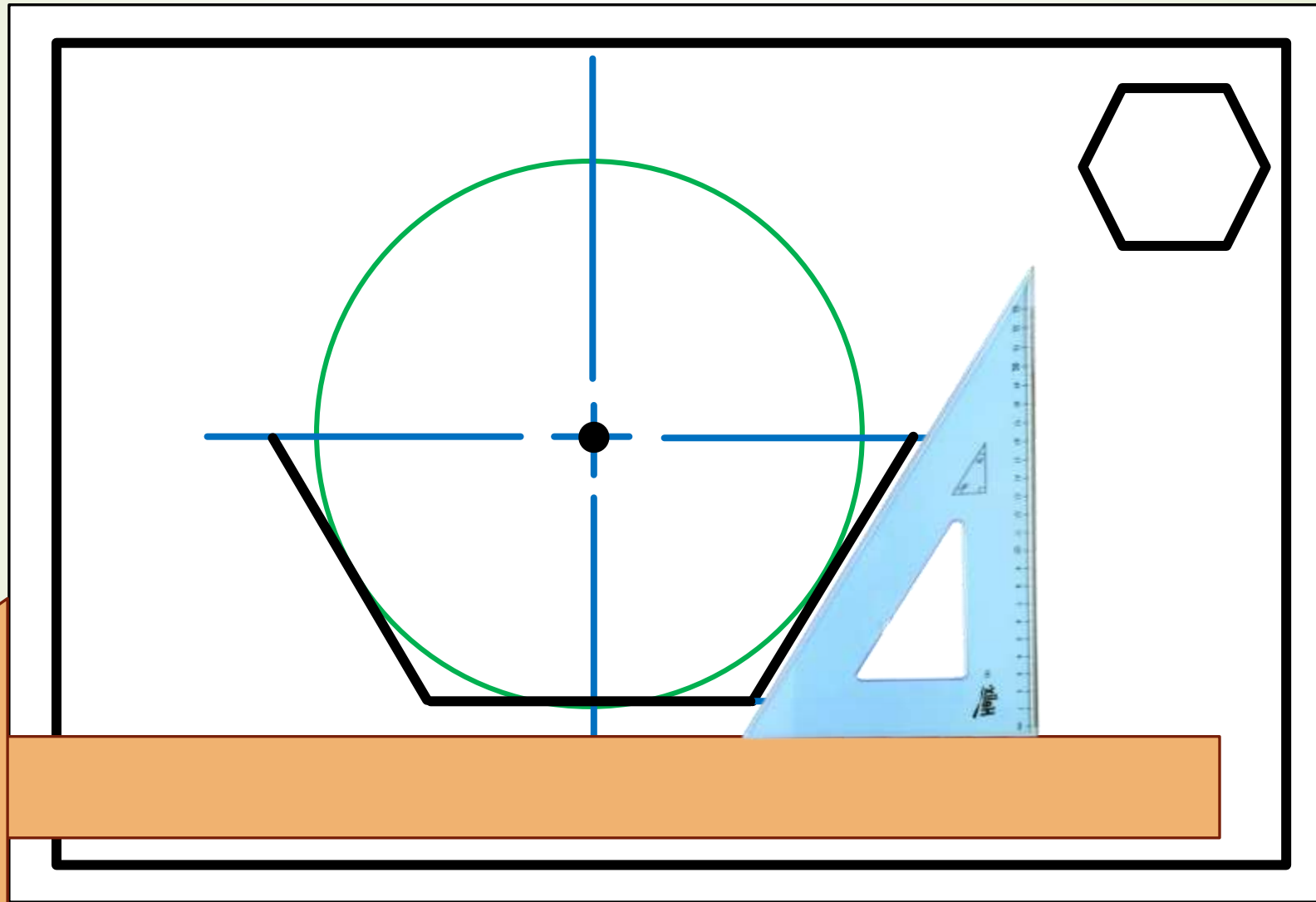
Constructing polygons

- Construction of a **hexagon** – Inscribed method



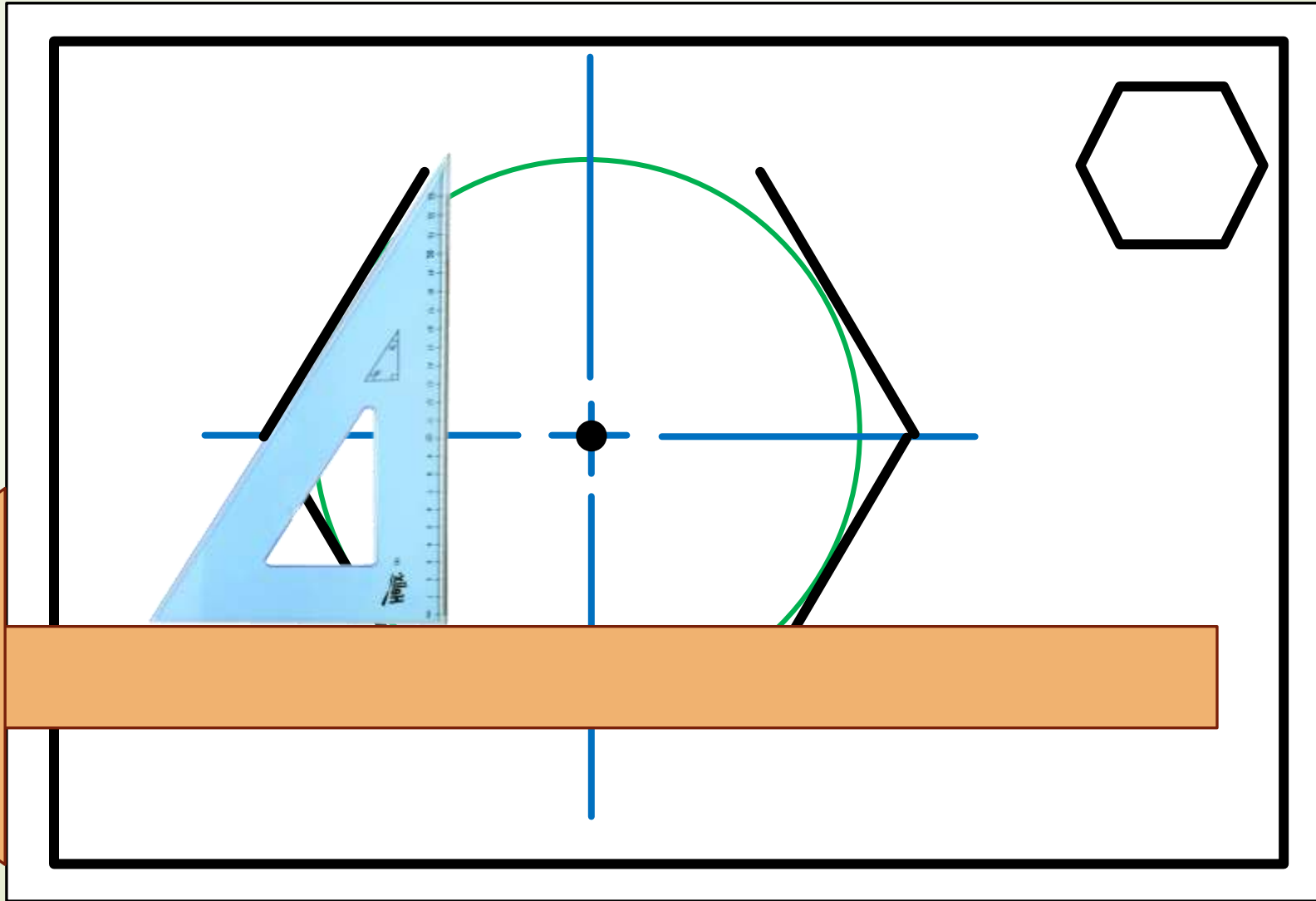
Constructing polygons

- Construction of a **hexagon** – Inscribed method



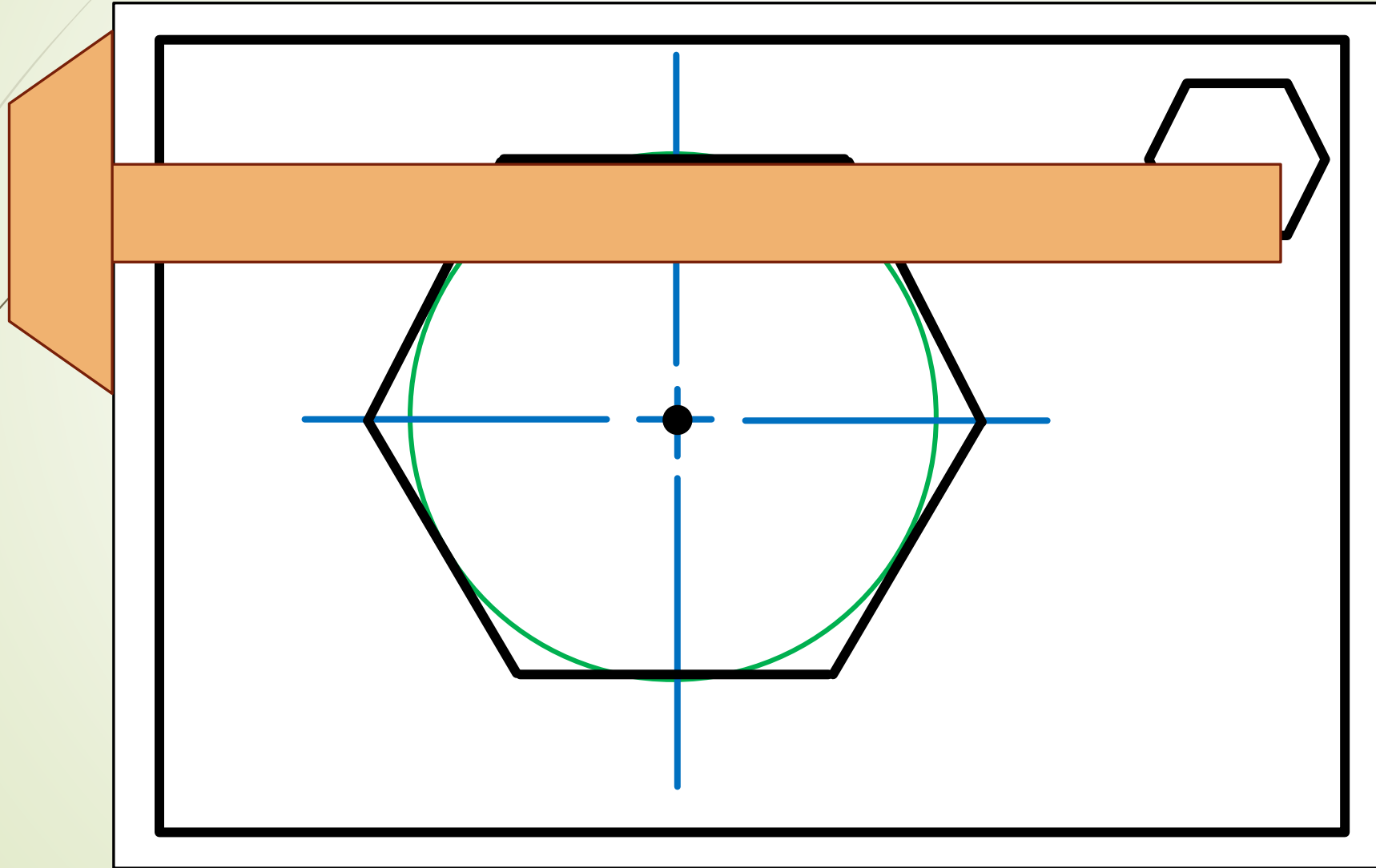
Constructing polygons

- Construction of a **hexagon** – Inscribed method



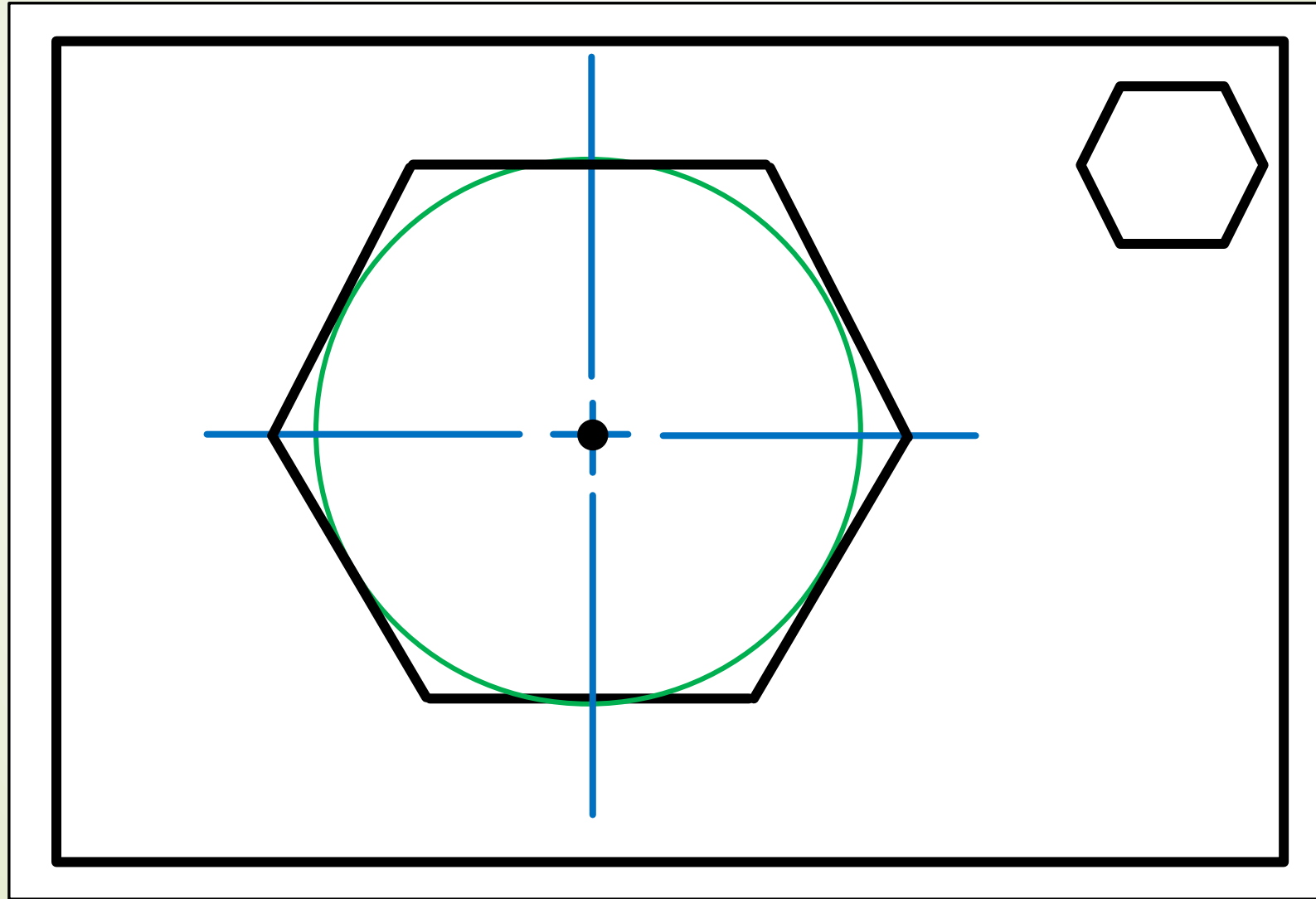
Constructing polygons

- Construction of a **hexagon** – Inscribed method



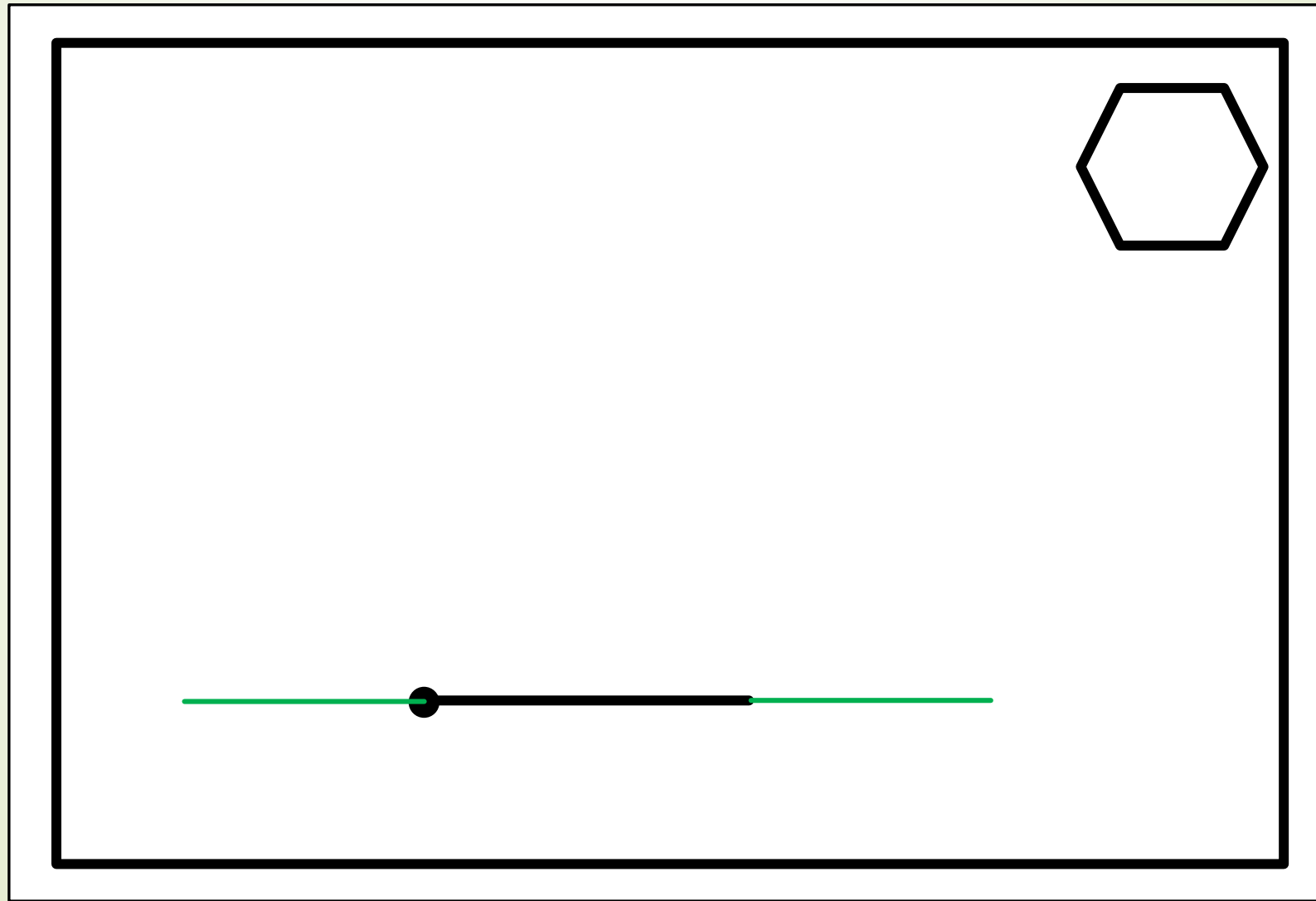
Constructing polygons

- Construction of a **hexagon** – Inscribed method



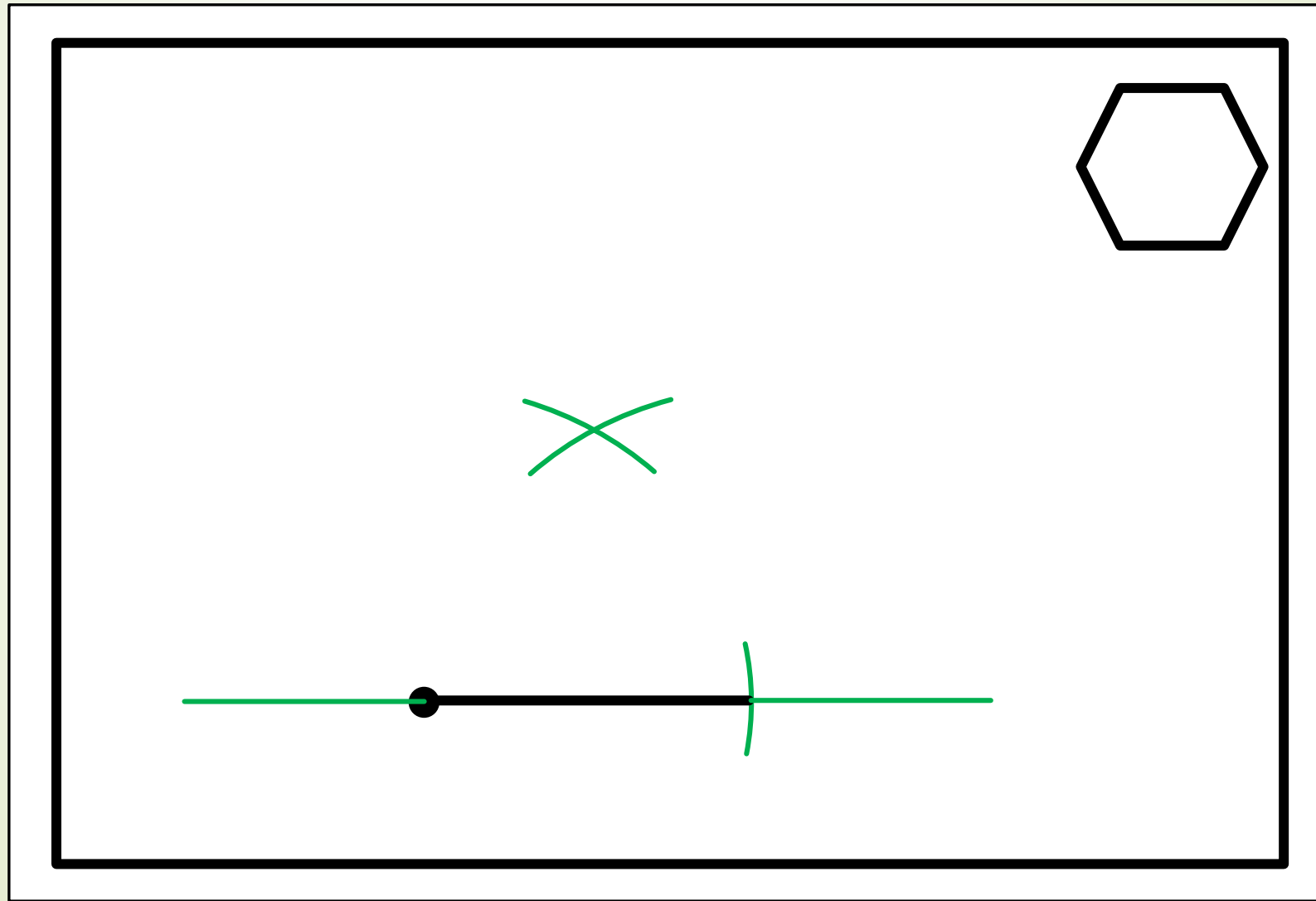
Constructing polygons

- Construction of a **hexagon** – **Circumscribed method**



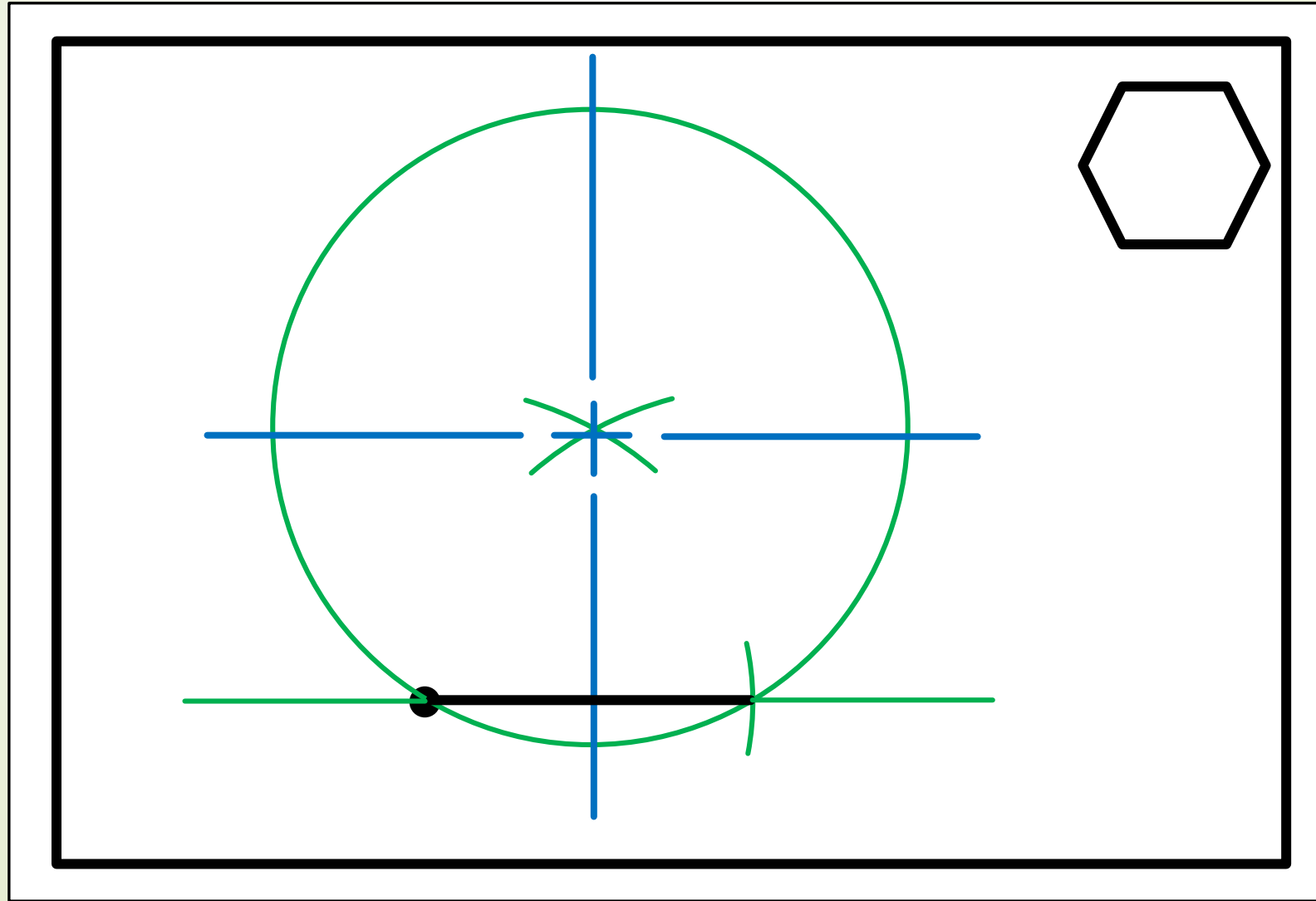
Constructing polygons

- Construction of a **hexagon** – **Circumscribed method**



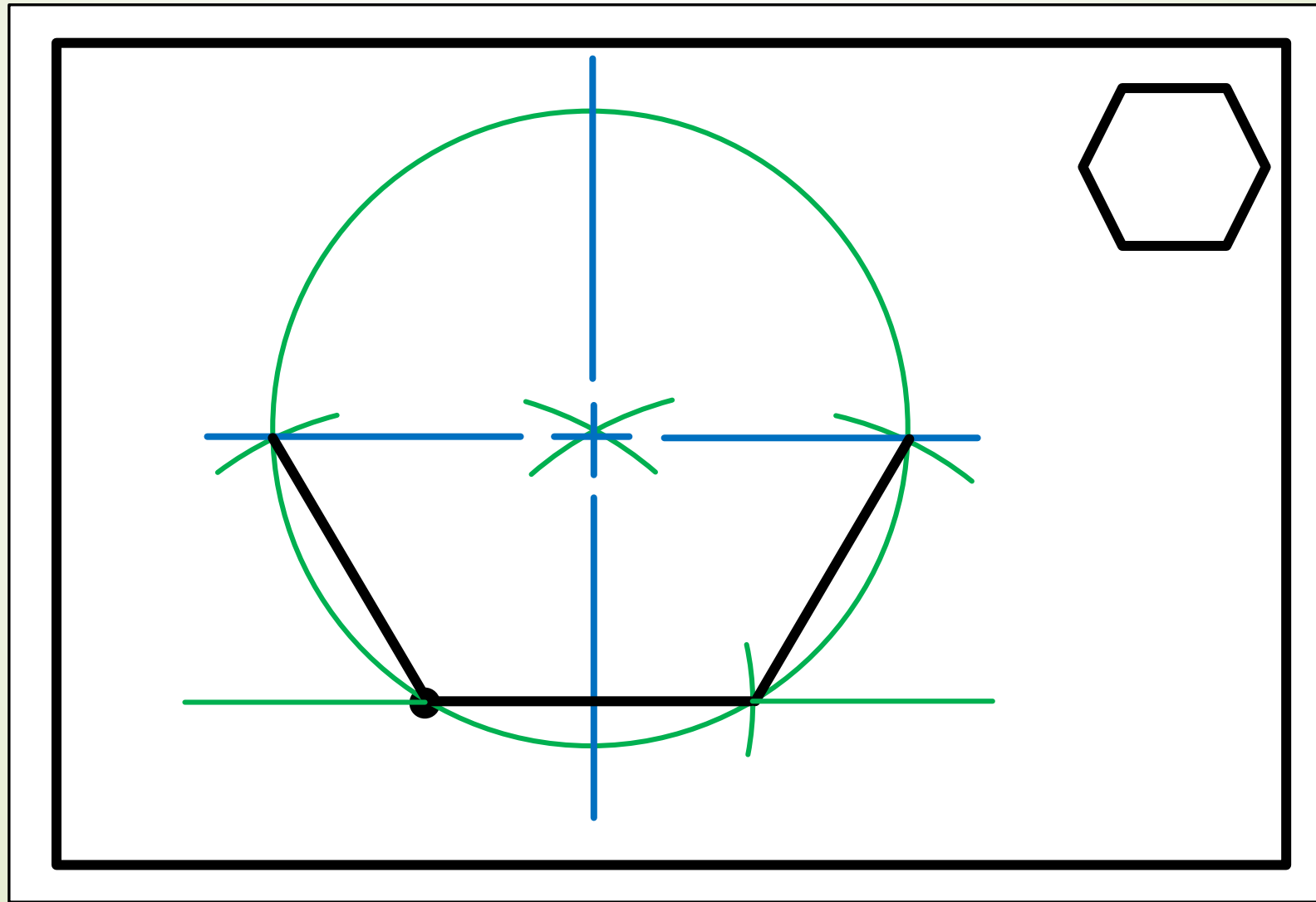
Constructing polygons

- Construction of a **hexagon** – **Circumscribed method**



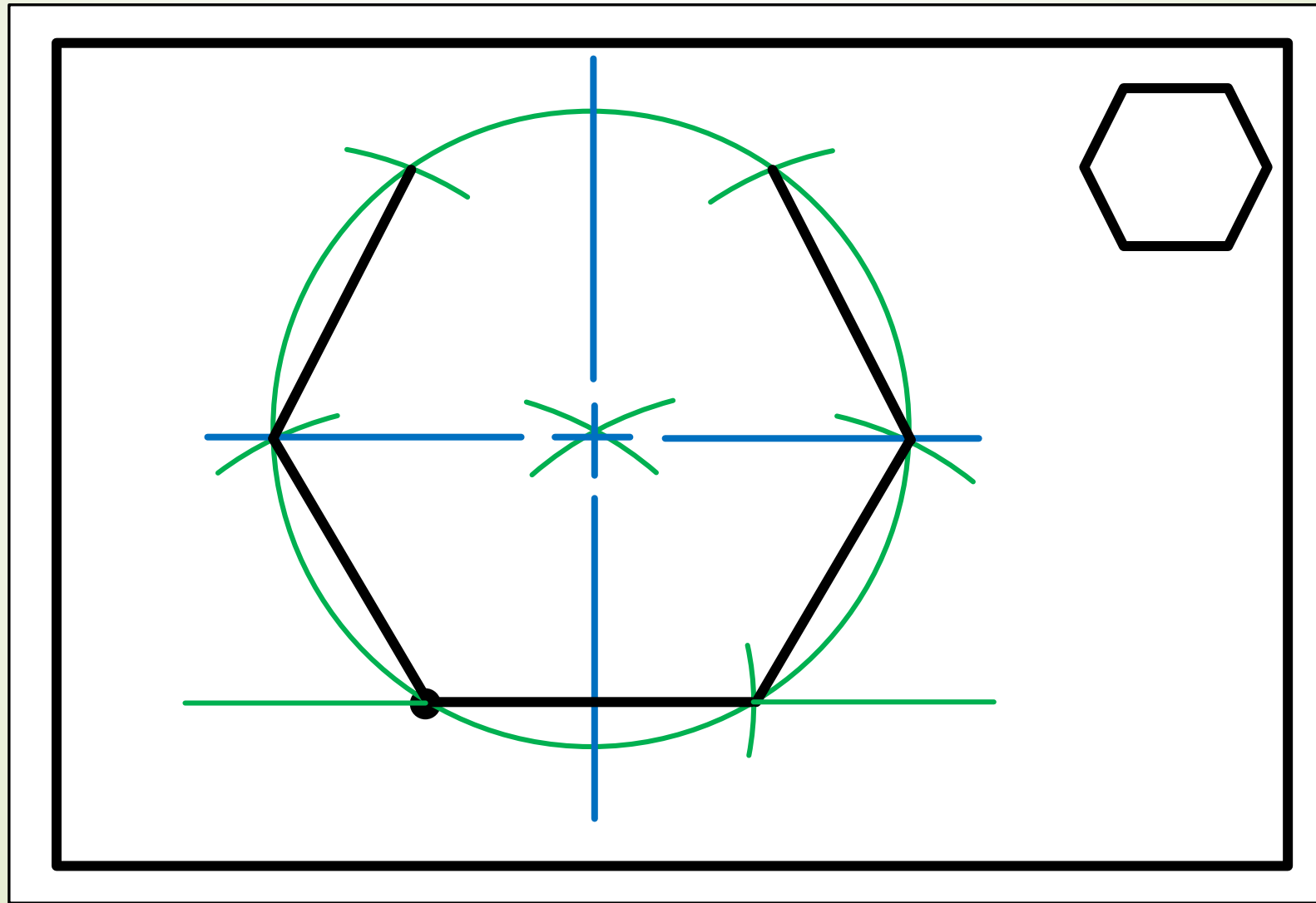
Constructing polygons

- Construction of a **hexagon** – **Circumscribed method**



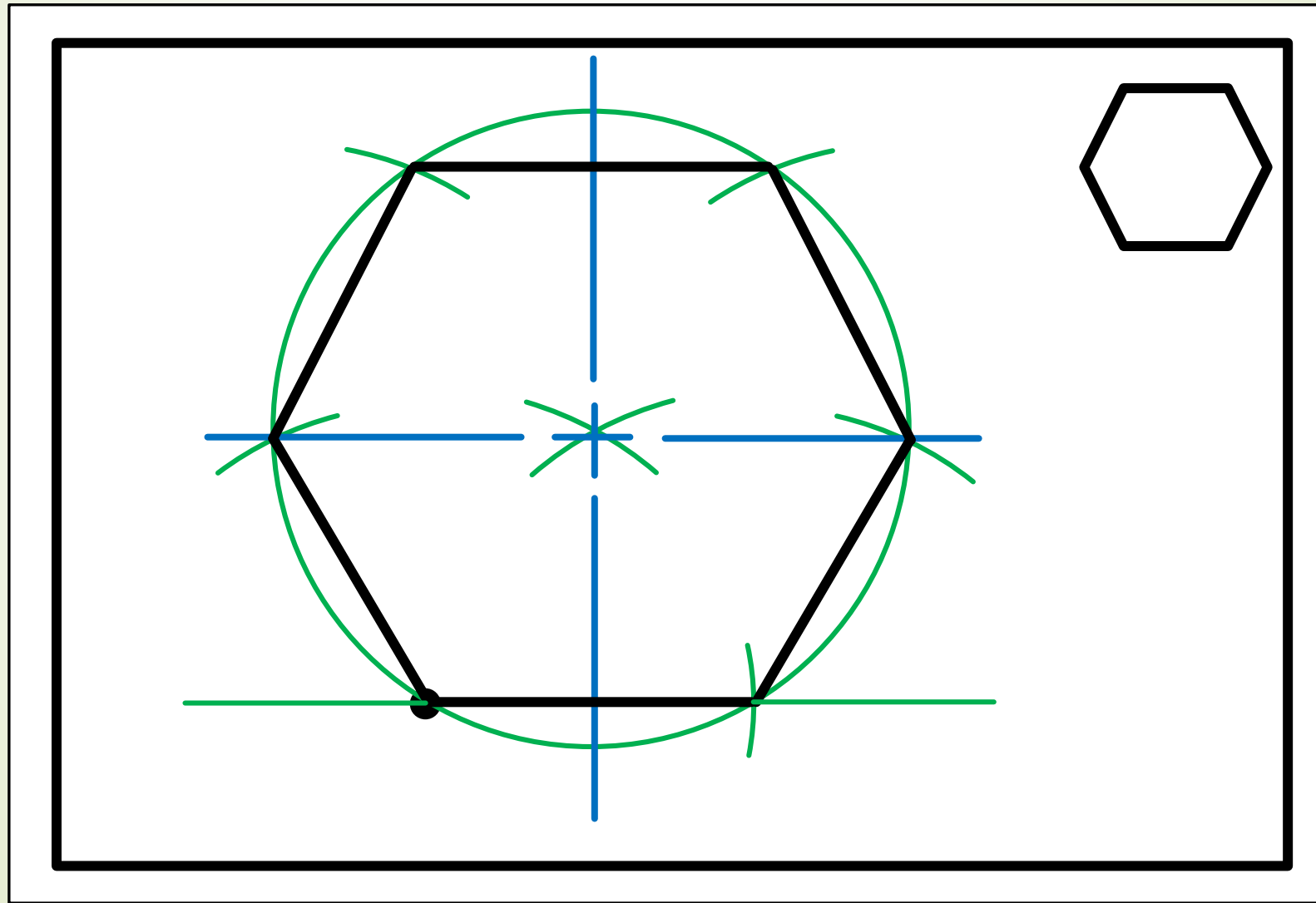
Constructing polygons

- Construction of a **hexagon** – **Circumscribed method**



Constructing polygons

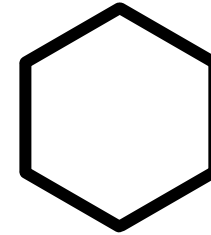
- Construction of a **hexagon** – **Circumscribed method**



Constructing polygons

- ➔ Construct a **hexagon** (6 sides)

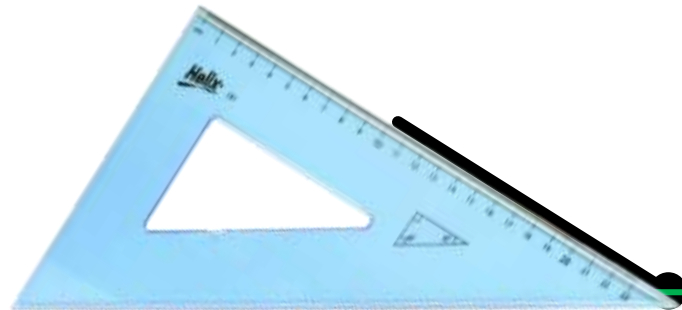
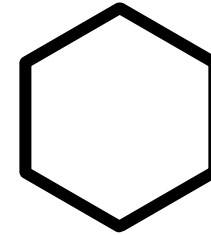
$$360^\circ \div 6 = 60^\circ$$



Constructing polygons

- ➔ Construct a **hexagon** (6 sides)

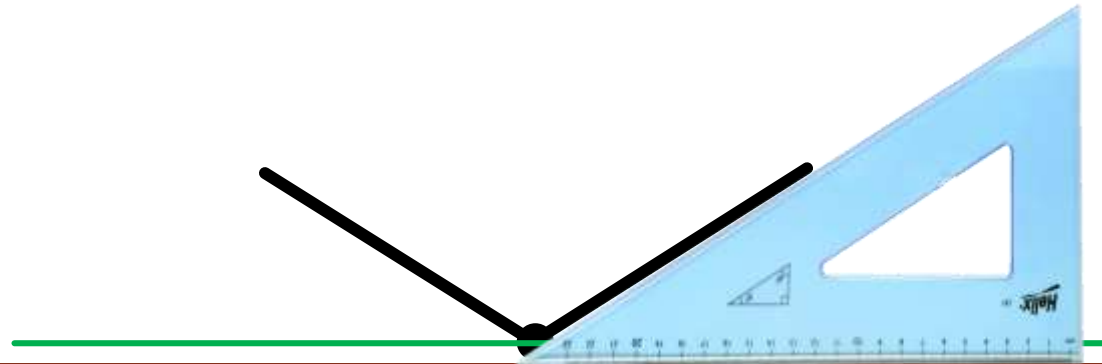
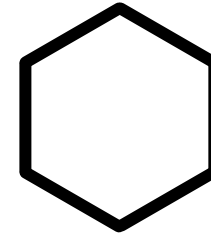
$$360^\circ \div 6 = 60^\circ$$



Constructing polygons

- ➔ Construct a **hexagon** (6 sides)

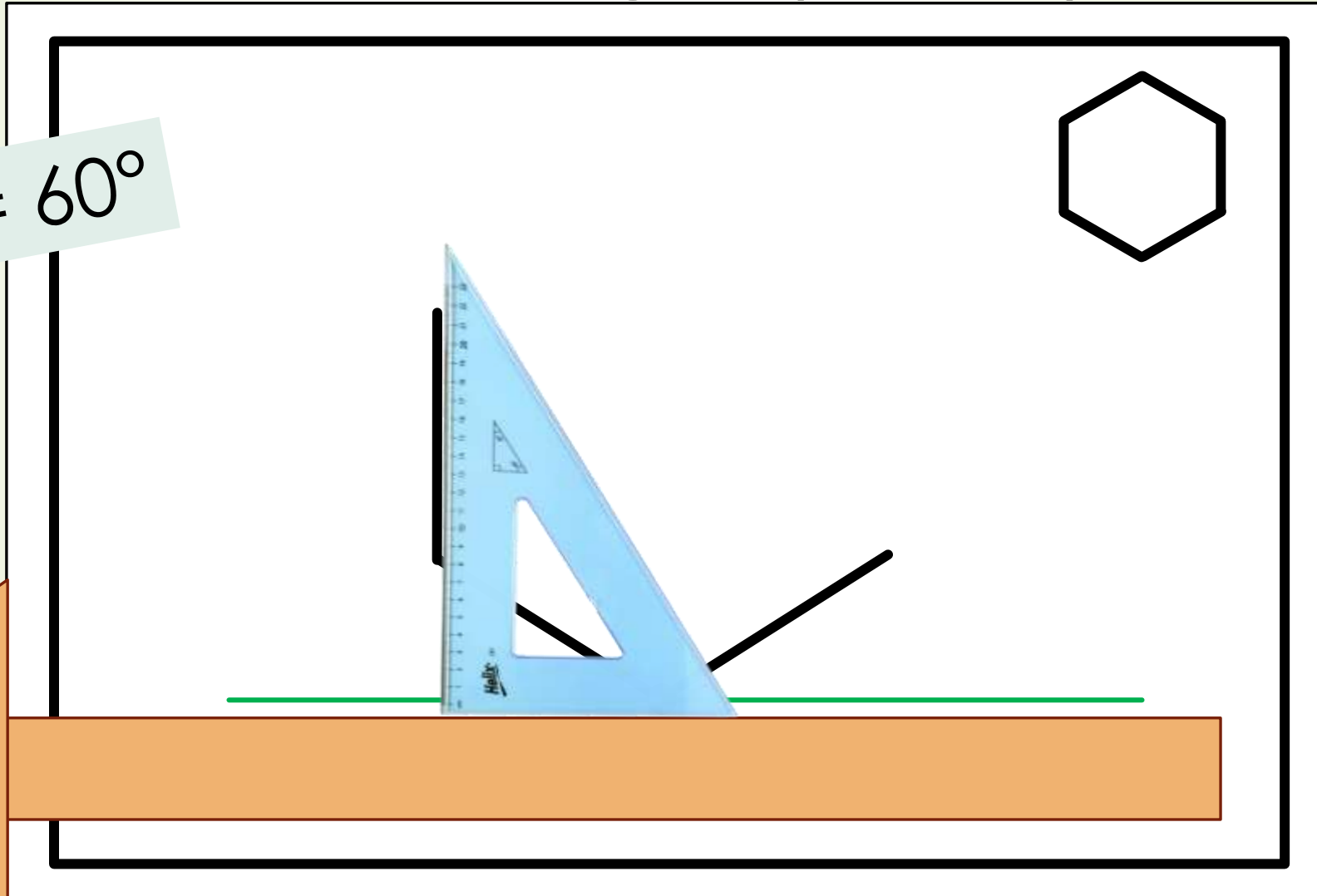
$$360^\circ \div 6 = 60^\circ$$



Constructing polygons

- ➔ Construct a **hexagon** (6 sides)

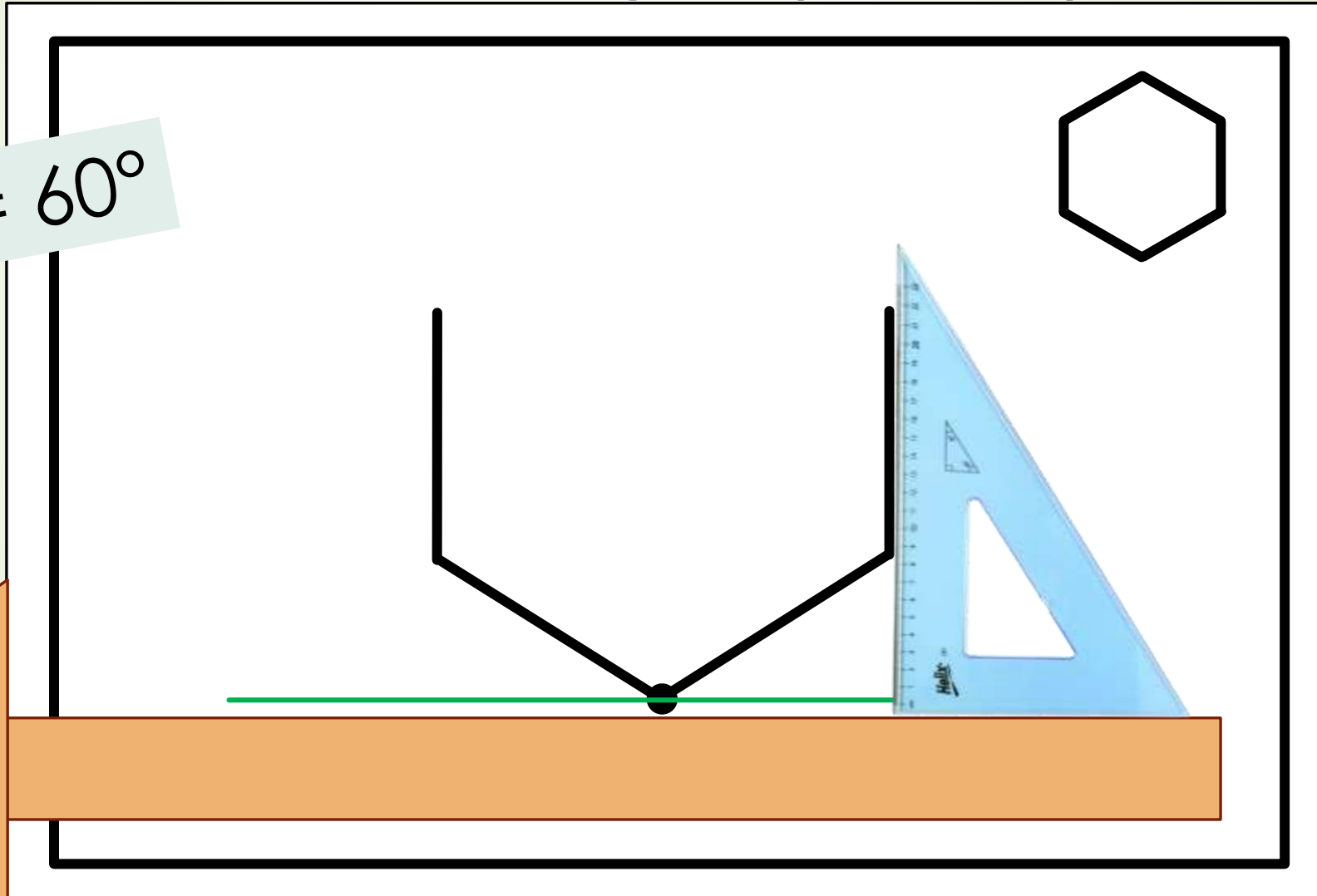
$$360^\circ \div 6 = 60^\circ$$



Constructing polygons

- ➔ Construct a **hexagon** (6 sides)

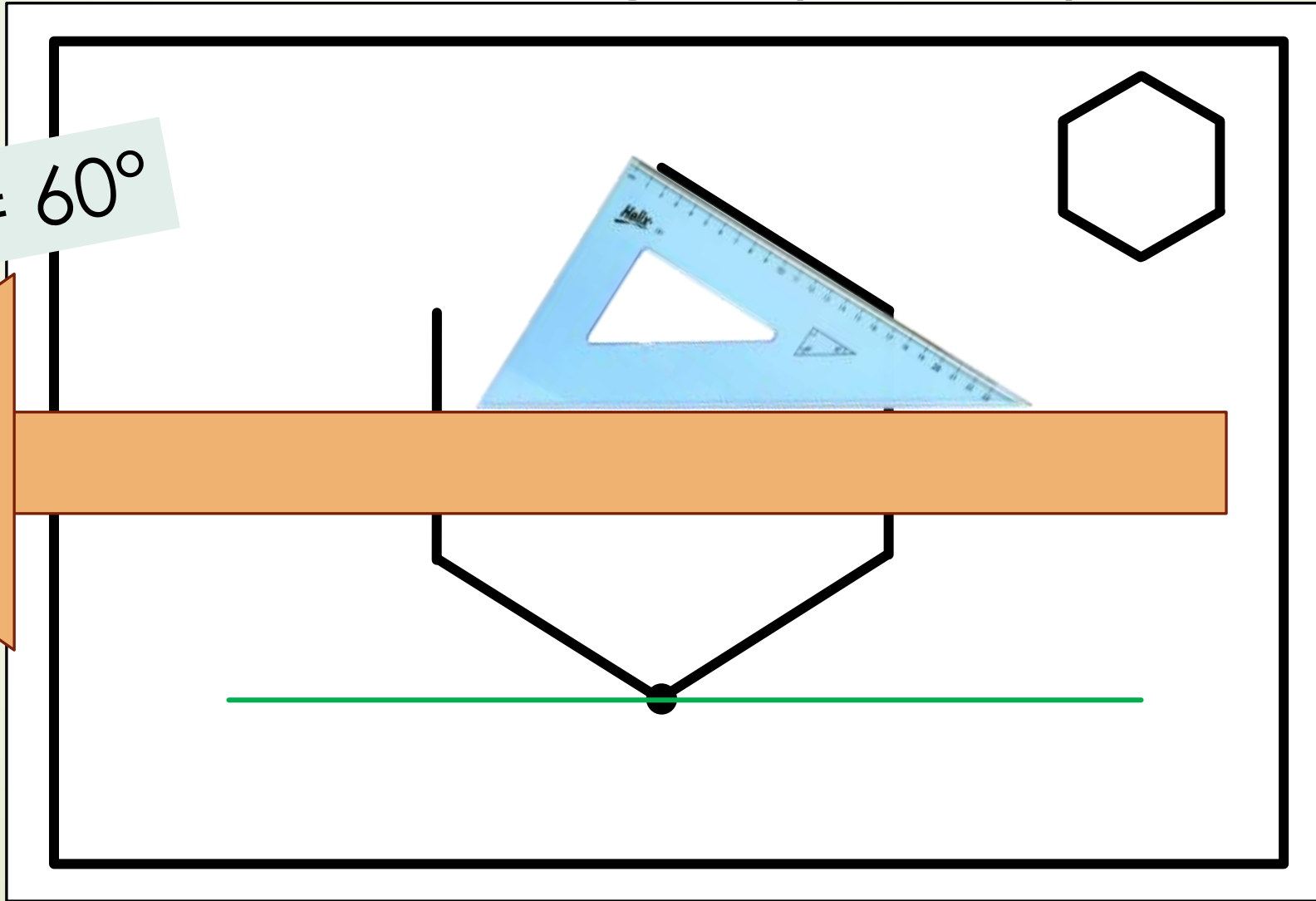
$$360^\circ \div 6 = 60^\circ$$



Constructing polygons

- ➔ Construct a **hexagon** (6 sides)

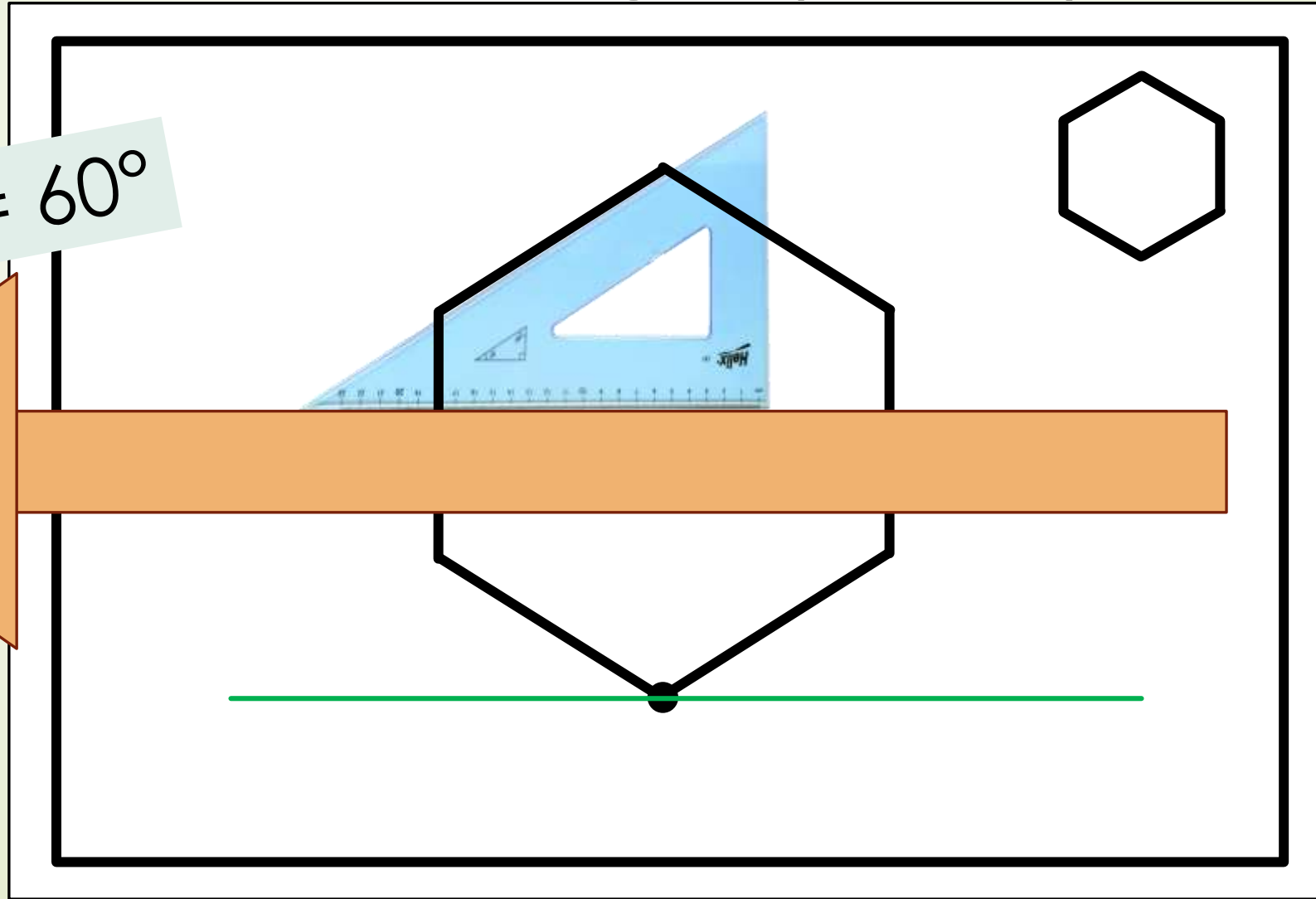
$$360^\circ \div 6 = 60^\circ$$



Constructing polygons

- ➔ Construct a **hexagon** (6 sides)

$$360^\circ \div 6 = 60^\circ$$



Constructing polygons

- ➔ Construct a **hexagon** (6 sides)

$$360^\circ \div 6 = 60^\circ$$

