



Constructing polygons

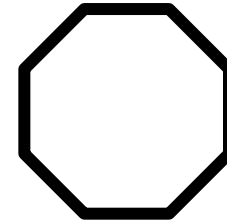
Octagon

Developed by: PC Viljoen
Senior Educational Specialist for
Engineering Graphics and Design
Free State Province

Constructing polygons

- ➔ Construct a **octagon** (8 sides)

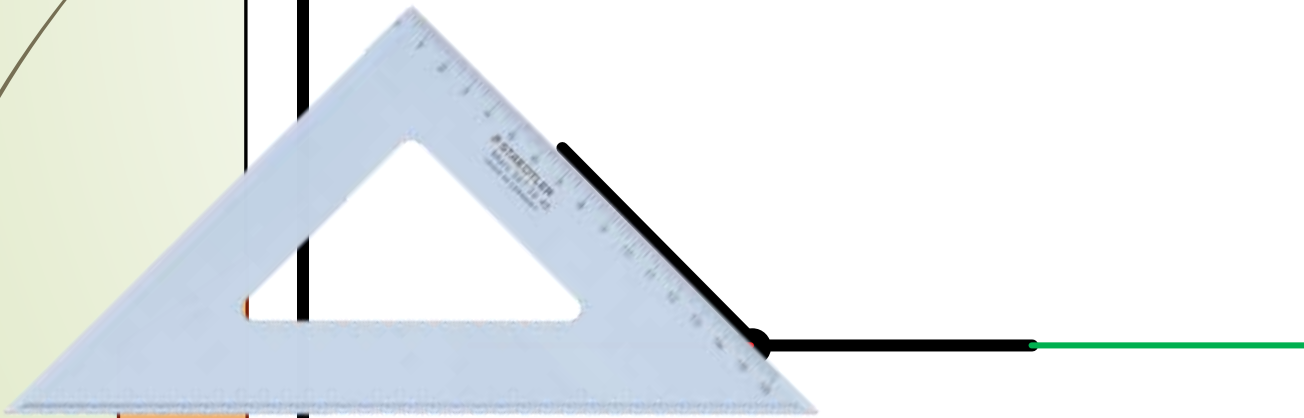
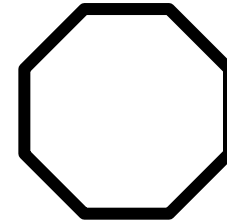
$$360^\circ \div 8 = 45^\circ$$



Constructing polygons

- ➔ Construct a **octagon** (8 sides)

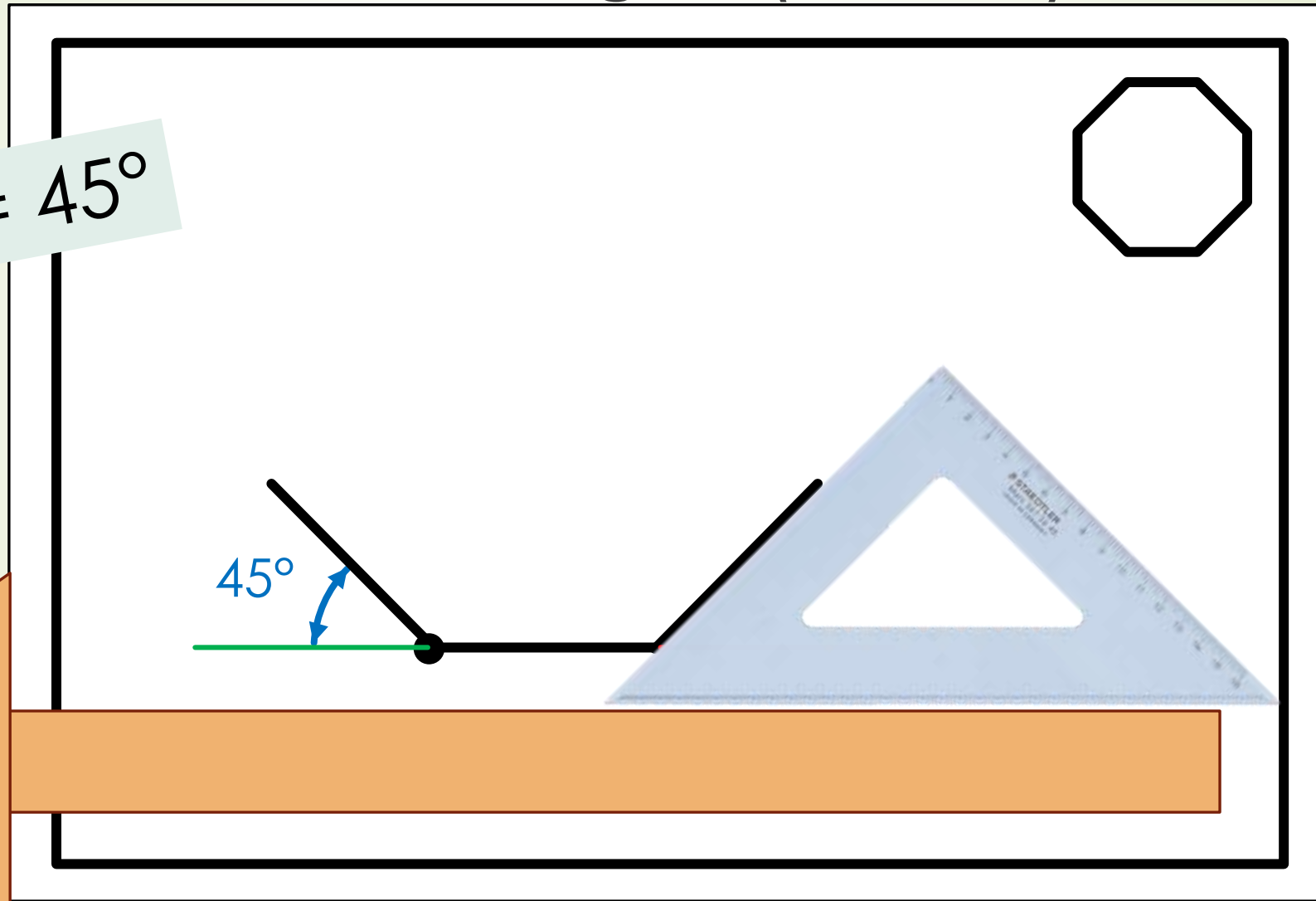
$$360^\circ \div 8 = 45^\circ$$



Constructing polygons

- ➔ Construct a **octagon** (8 sides)

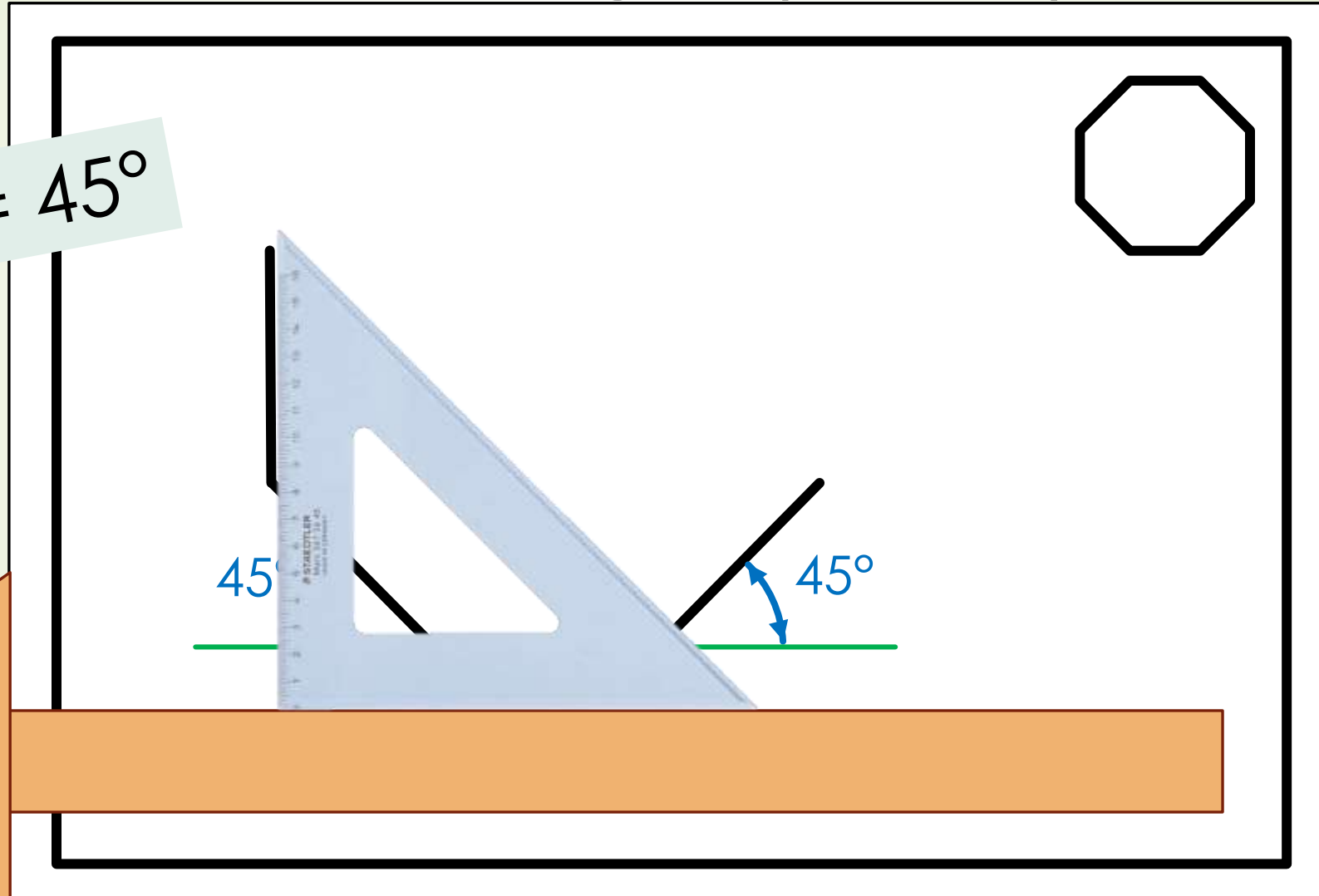
$$360^\circ \div 8 = 45^\circ$$



Constructing polygons

- ➔ Construct a **octagon** (8 sides)

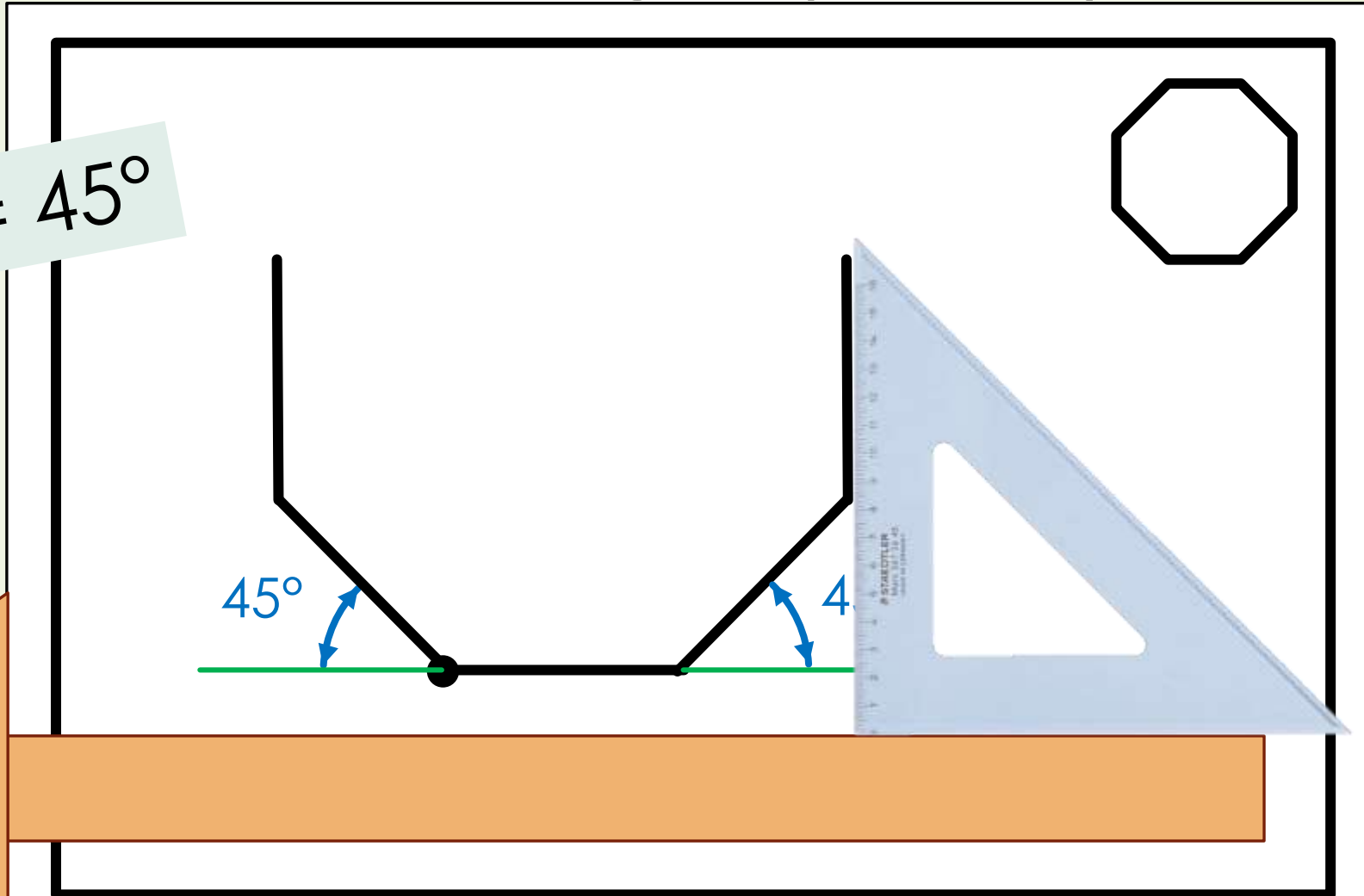
$$360^\circ \div 8 = 45^\circ$$



Constructing polygons

- ➔ Construct a **octagon** (8 sides)

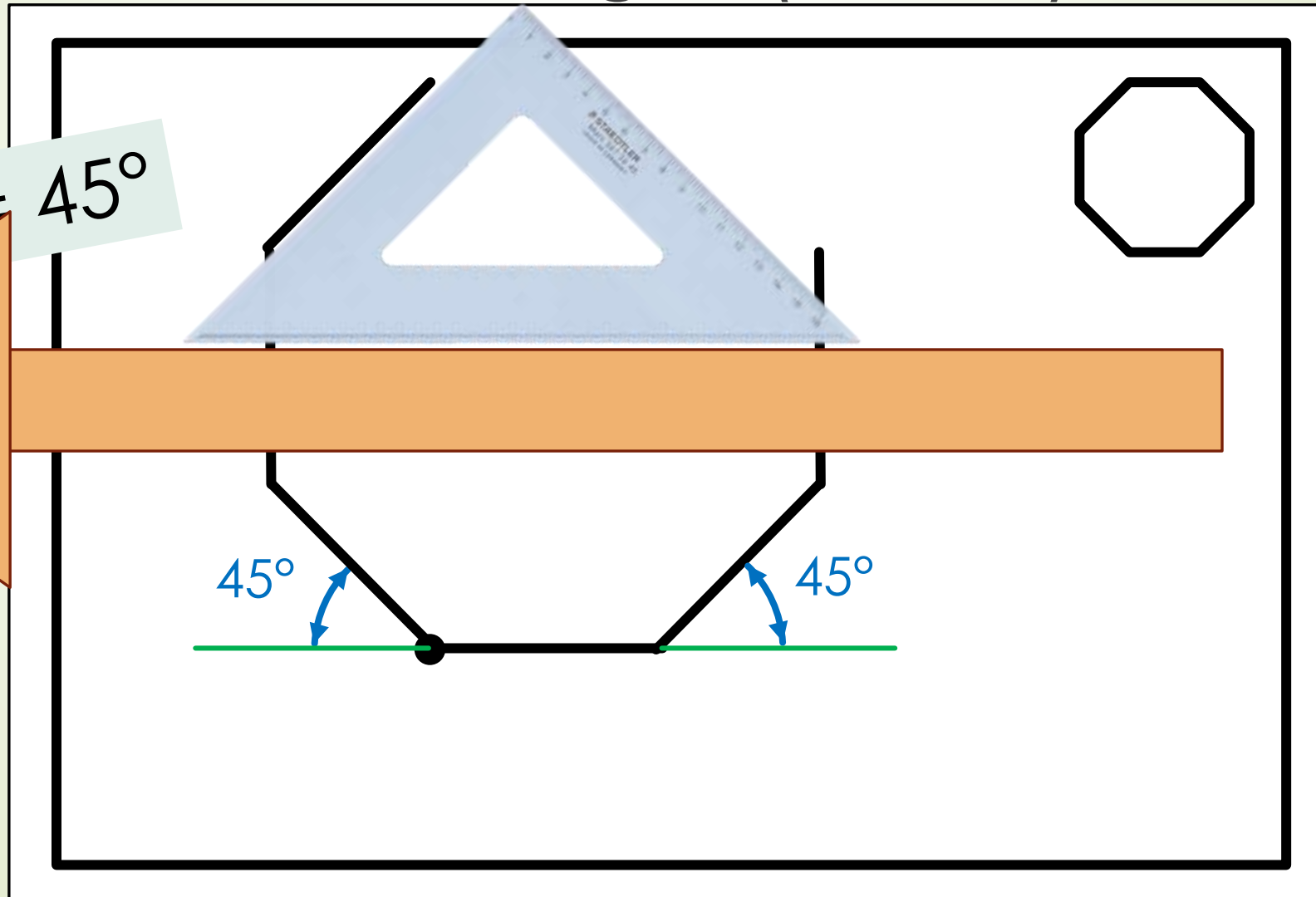
$$360^\circ \div 8 = 45^\circ$$



Constructing polygons

- ➔ Construct a **octagon** (8 sides)

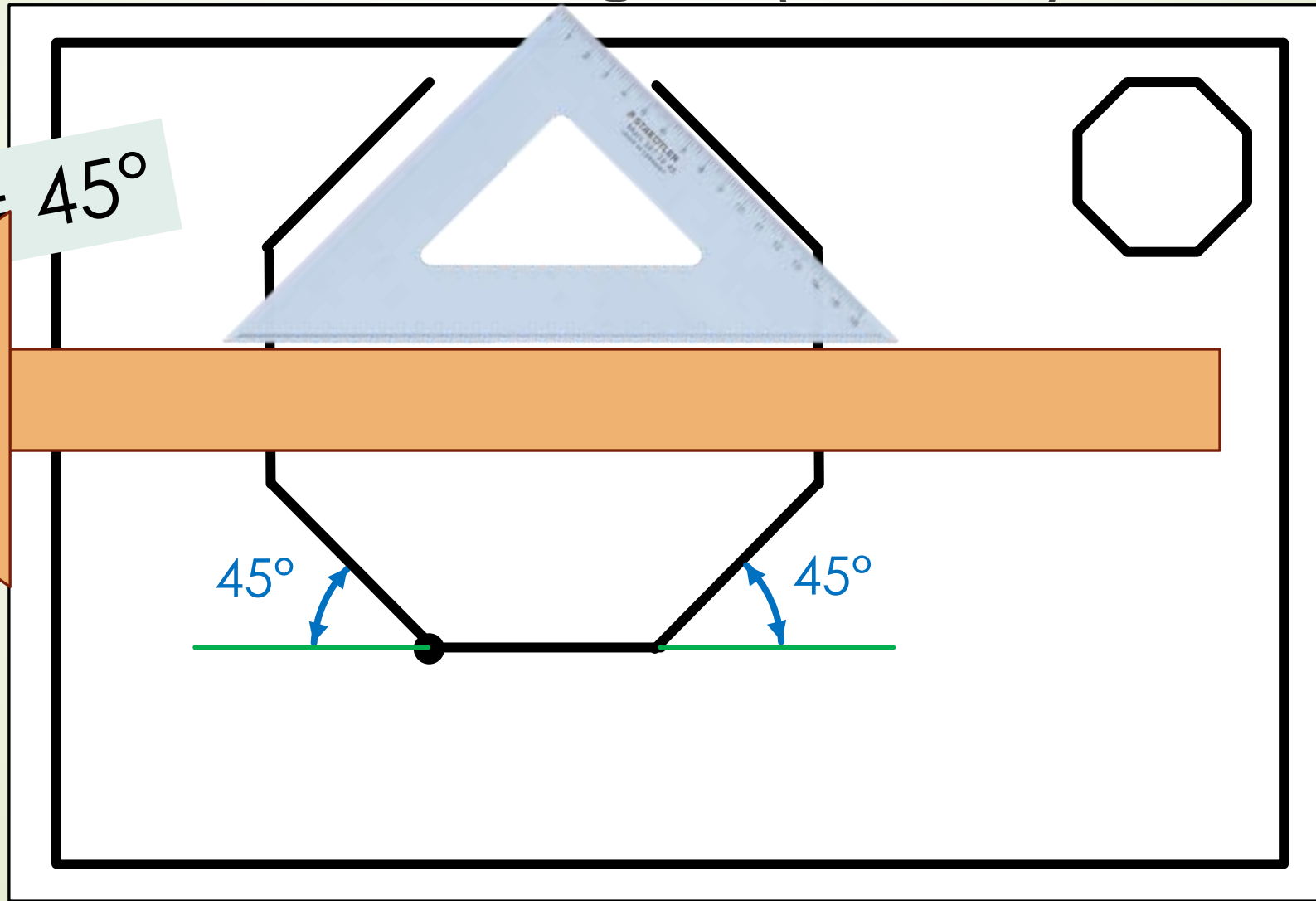
$$360^\circ \div 8 = 45^\circ$$



Constructing polygons

- ➔ Construct a **octagon** (8 sides)

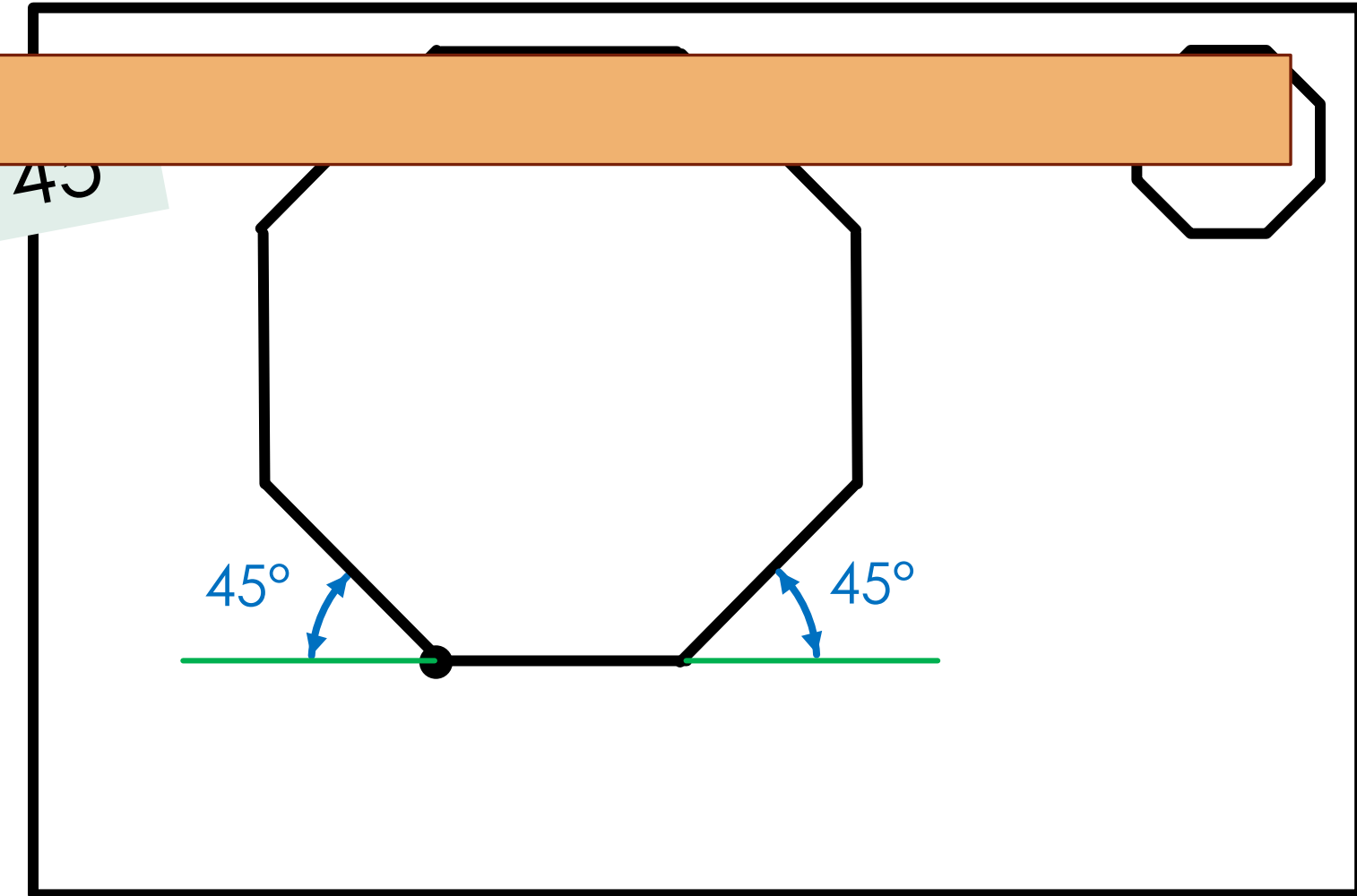
$$360^\circ \div 8 = 45^\circ$$



Constructing polygons

- Construct a **octagon** (8 sides)

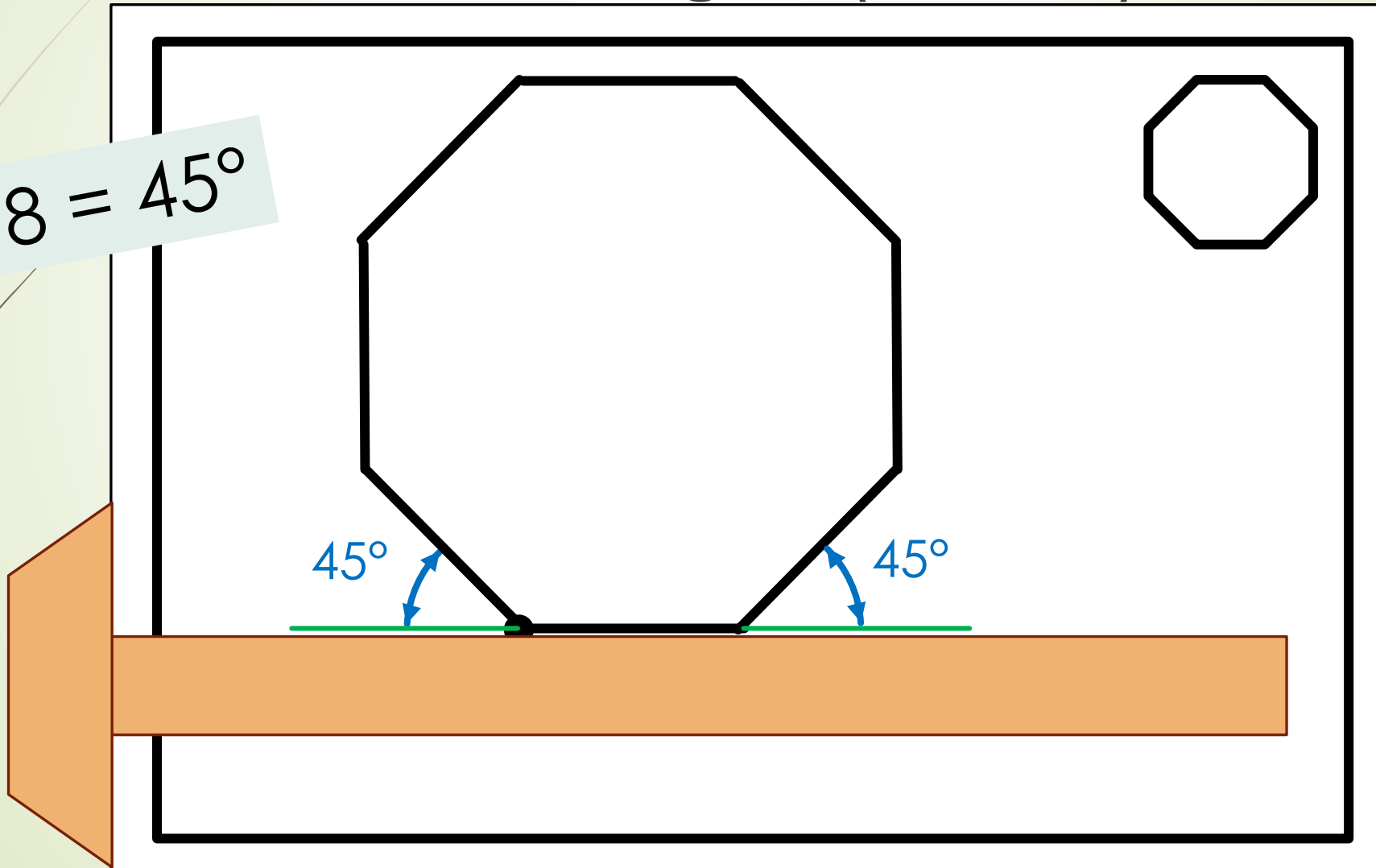
$$360^\circ \div 8 = 45^\circ$$



Constructing polygons

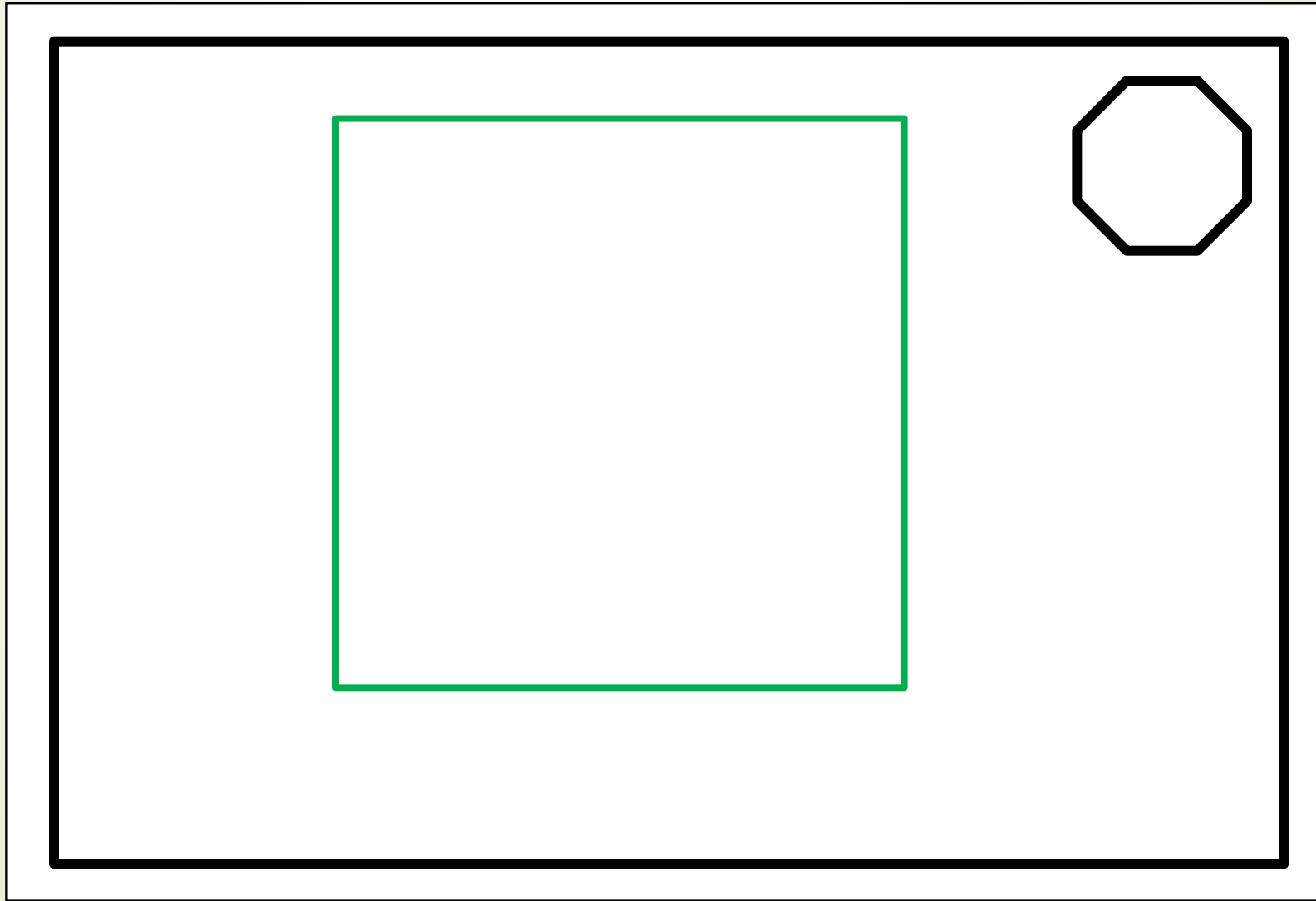
- Construct a **octagon** (8 sides)

$$360^\circ \div 8 = 45^\circ$$



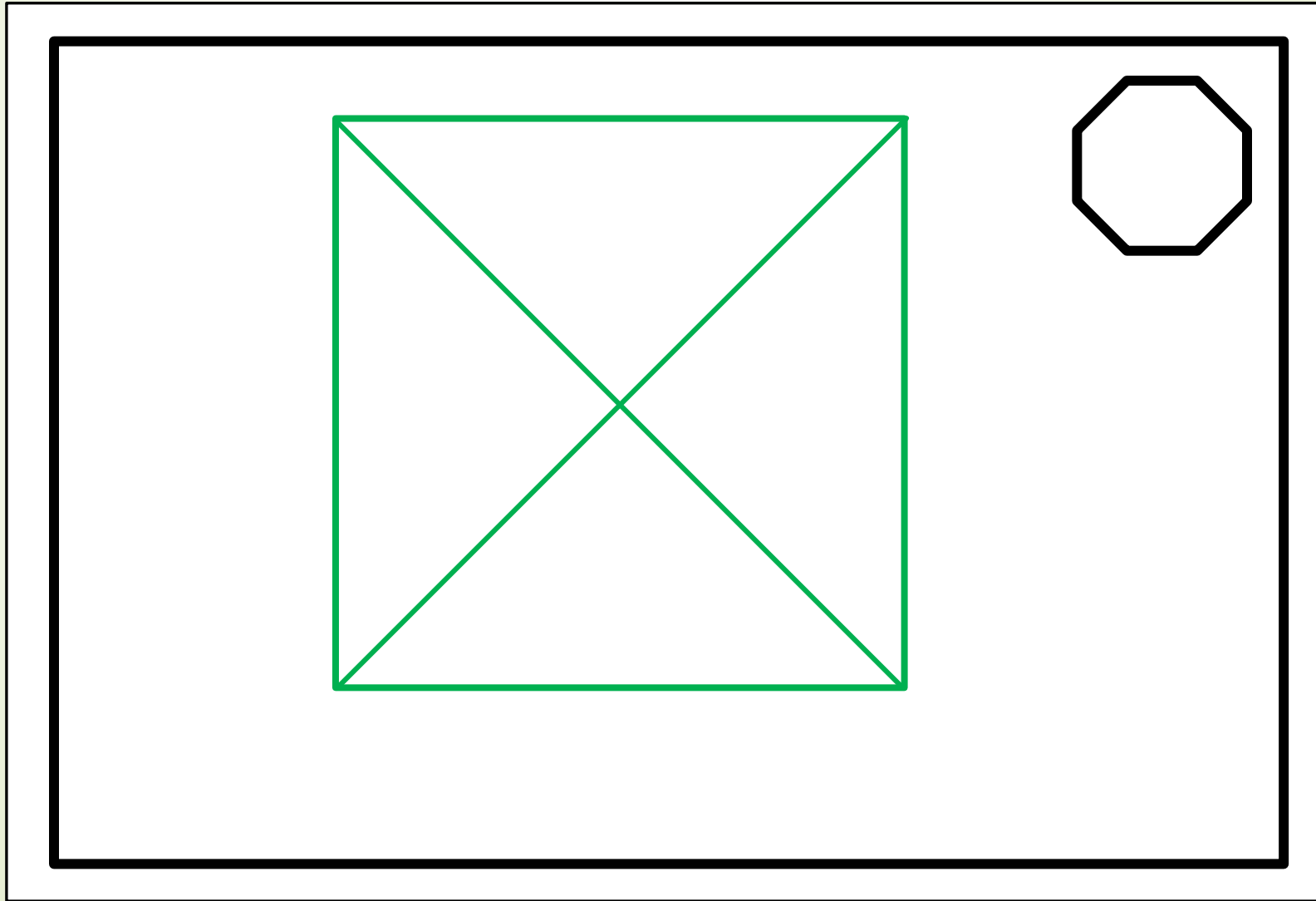
Constructing polygons

- Construction of a **octagon** – Block method



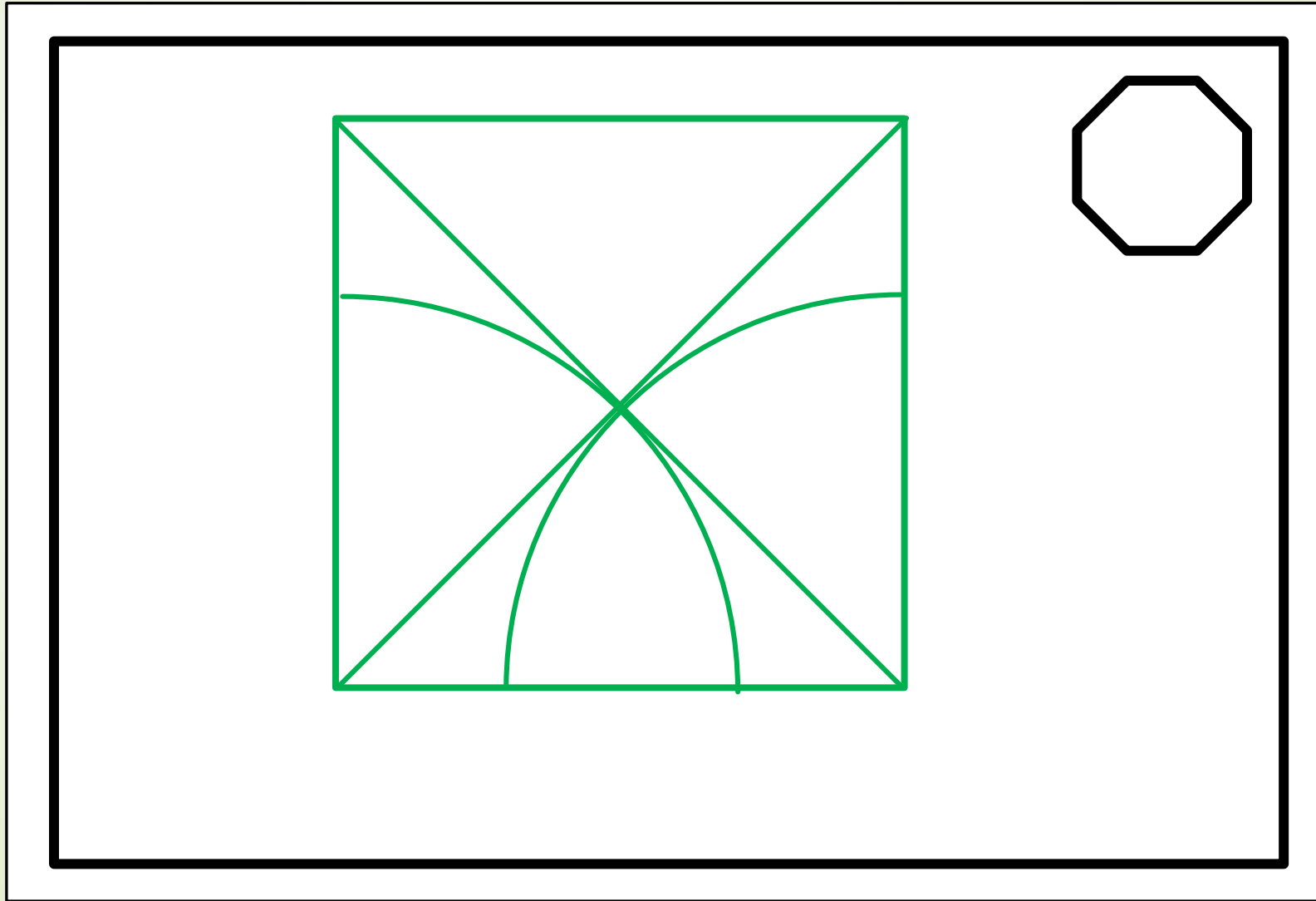
Constructing polygons

- Construction of a **octagon** – Block method



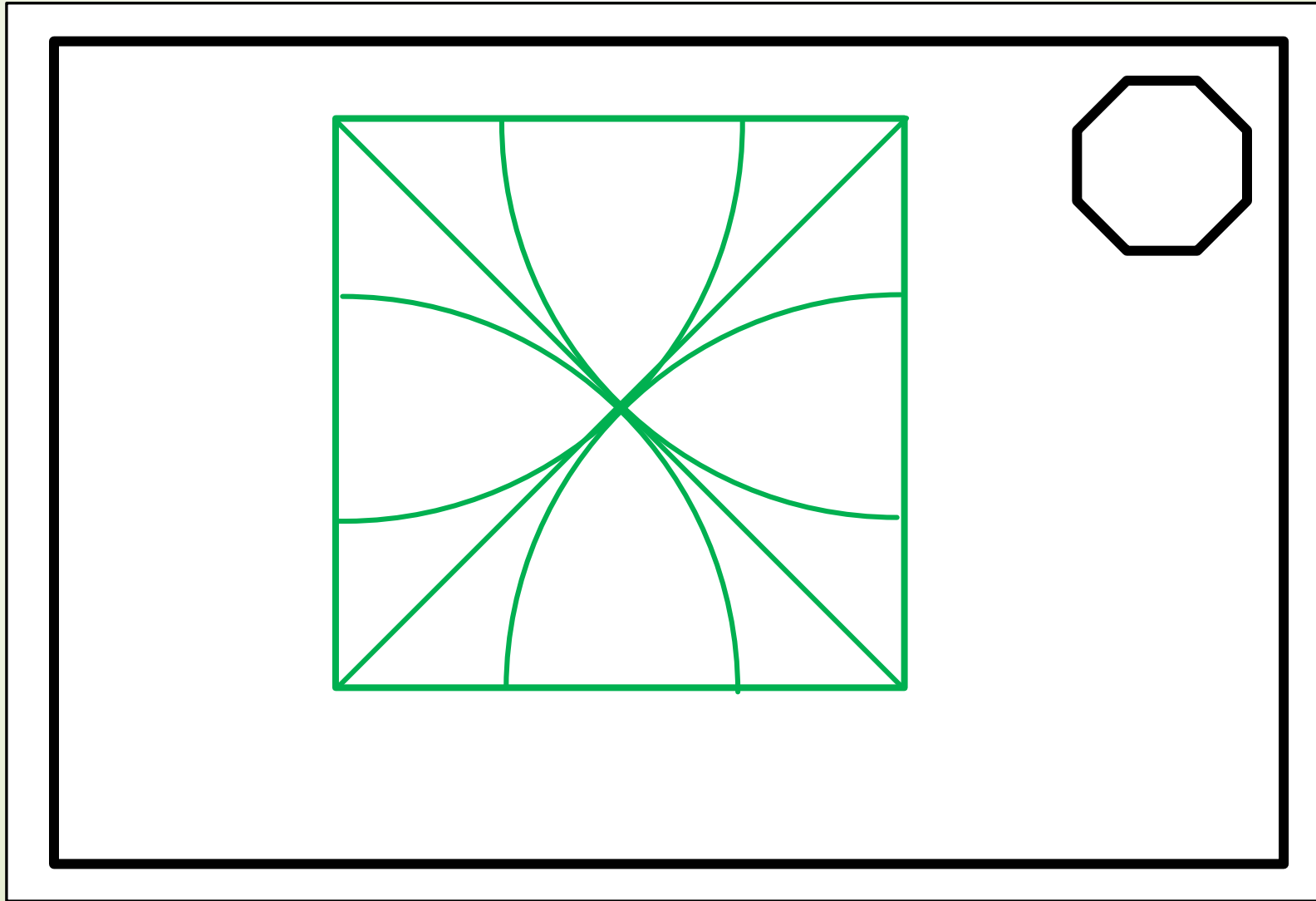
Constructing polygons

- Construction of a **octagon** – Block method



Constructing polygons

- Construction of a **octagon** – Block method



Constructing polygons

- Construction of a **octagon** – **Block method**

