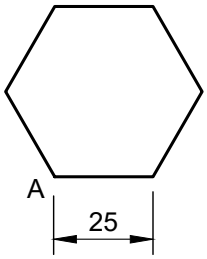


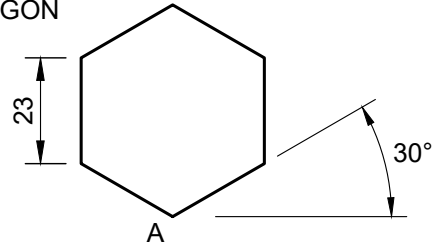
1 REGULAR HEXAGON



A+

MARK ACHIEVED	
MAXIMUM	5

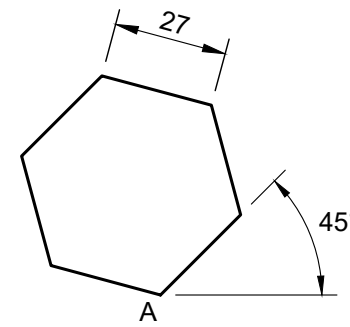
2 REGULAR HEXAGON



A+

MARK ACHIEVED	
MAXIMUM	5

3 REGULAR HEXAGON



A+

MARK ACHIEVED	
MAXIMUM	5

QUESTION: REGULAR POLYGONS

Given:

Various assignments with questions referring to regular polygons.

Instructions:

Use the given start position A and copy the given regular polygon. Determine, at questions where position A is not the center point of the regular polygon, the center point of the regular polygon and name it Q.

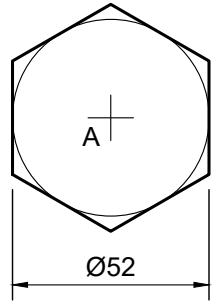
Note:

Show all constructions

Marks will be deducted for the following:

- untidy and wrong line quality
- measurement mistakes with a tolerance larger than 1 mm. [42]

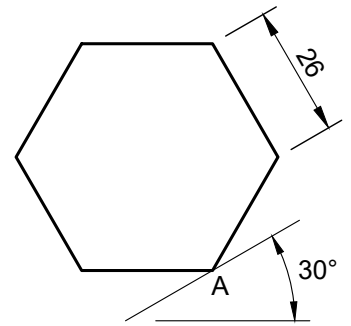
4 REGULAR HEXAGON



A+

MARK ACHIEVED	
MAXIMUM	4

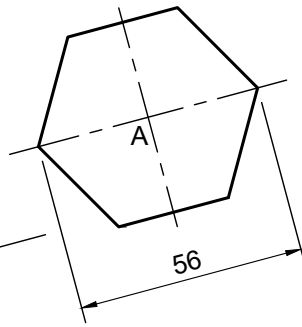
5 REGULAR HEXAGON



A+

MARK ACHIEVED	
MAXIMUM	5

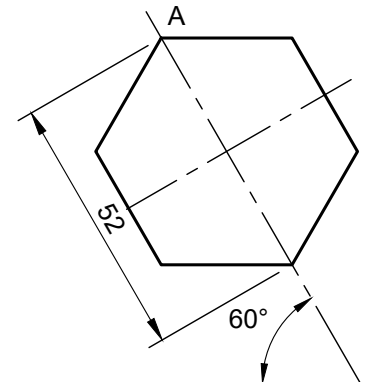
6 REGULAR HEXAGON



A+

MARK ACHIEVED	
MAXIMUM	4

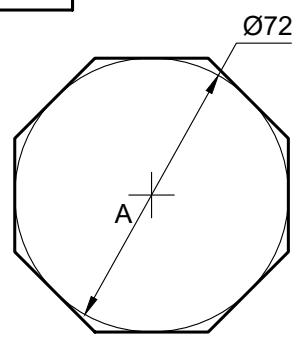
7 REGULAR HEXAGON



A+

MARK ACHIEVED	
MAXIMUM	5

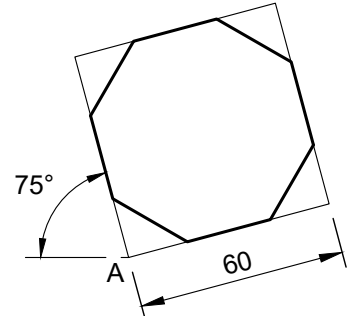
8 REGULAR OCTAGON



A+

MARK ACHIEVED	
MAXIMUM	4

9 REGULAR OCTAGON



A+

MARK ACHIEVED	
MAXIMUM	5

ASSESSMENT CRITERIA			
1	Regular hexagon	5	
2	Regular hexagon	5	
3	Regular hexagon	5	
4	Regular hexagon	4	
5	Regular hexagon	5	
6	Regular hexagon	4	
7	Regular hexagon	5	
8	Regular octagon	4	
9	Regular octagon	5	
TOTAL		42	

