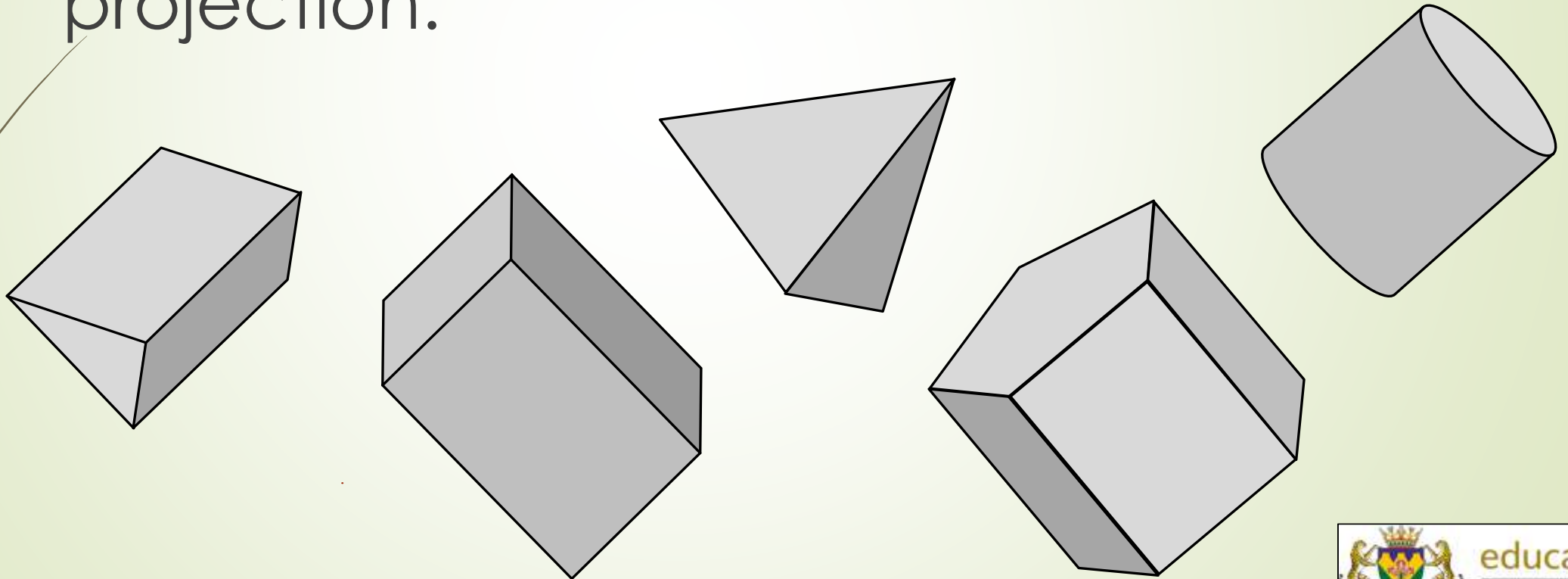




# Application on polygons

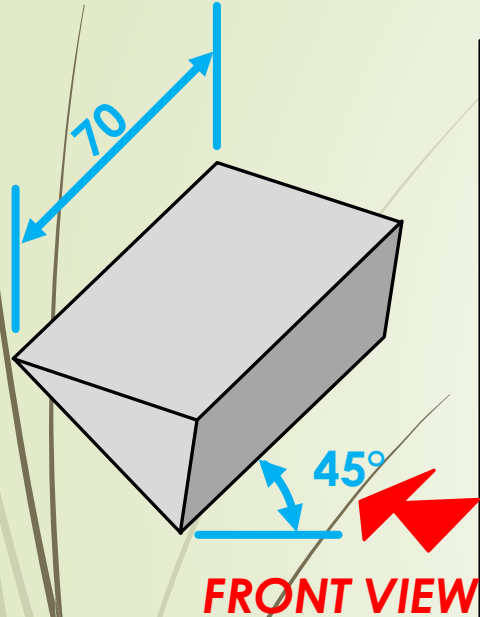
# Application on pyramids, prisms, cones and cylinders

- ➔ Draw inclined pyramids, prisms, cones and cylinders in first angle orthographic projection.





# Application on pyramids, prisms, cones and cylinders



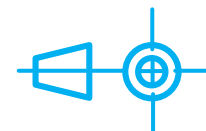
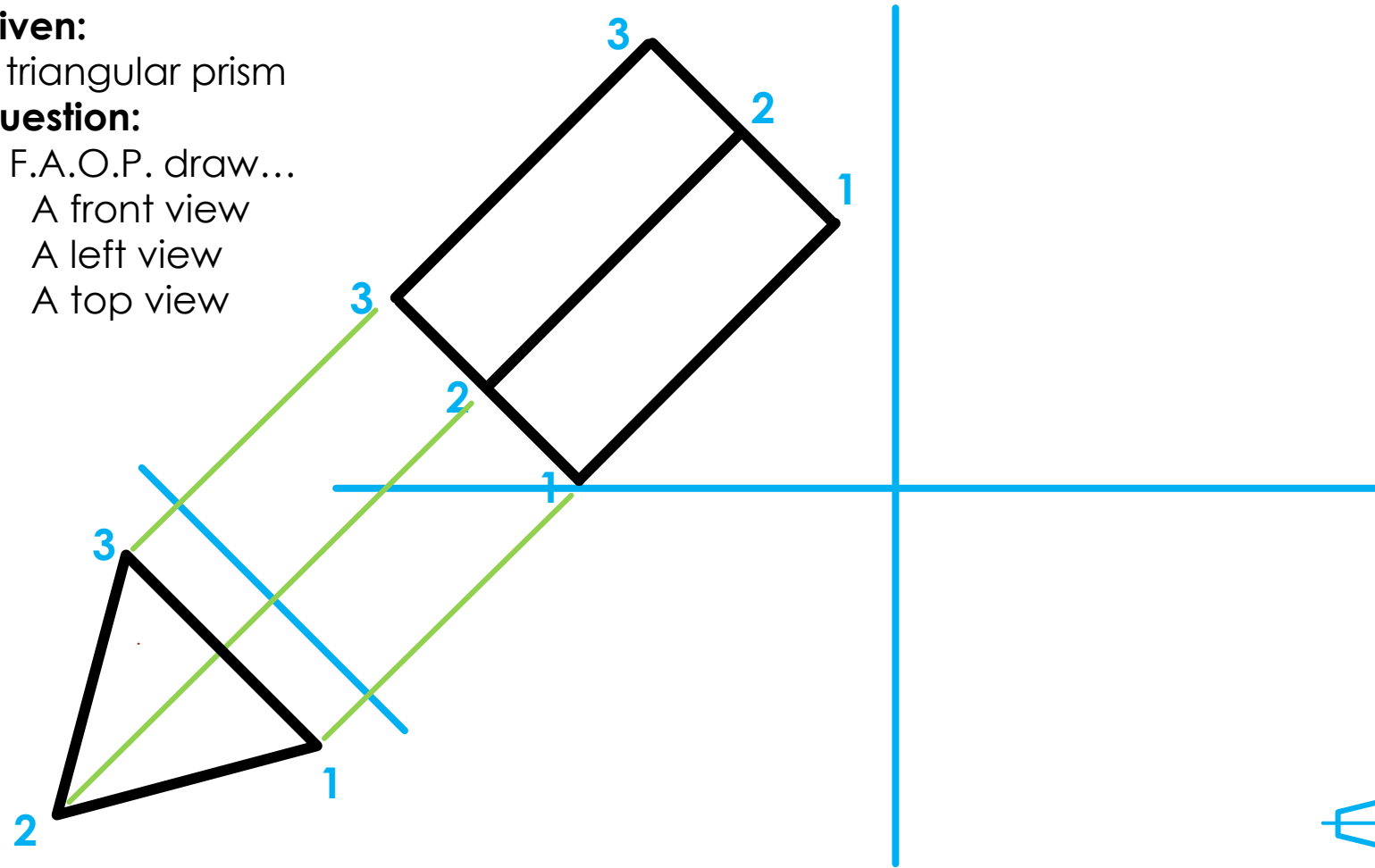
**Given:**

A triangular prism

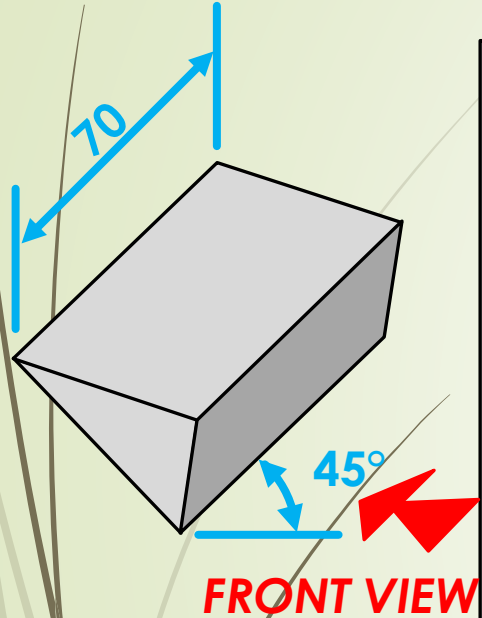
**Question:**

In F.A.O.P. draw...

1. A front view
2. A left view
3. A top view



# Application on pyramids, prisms, cones and cylinders



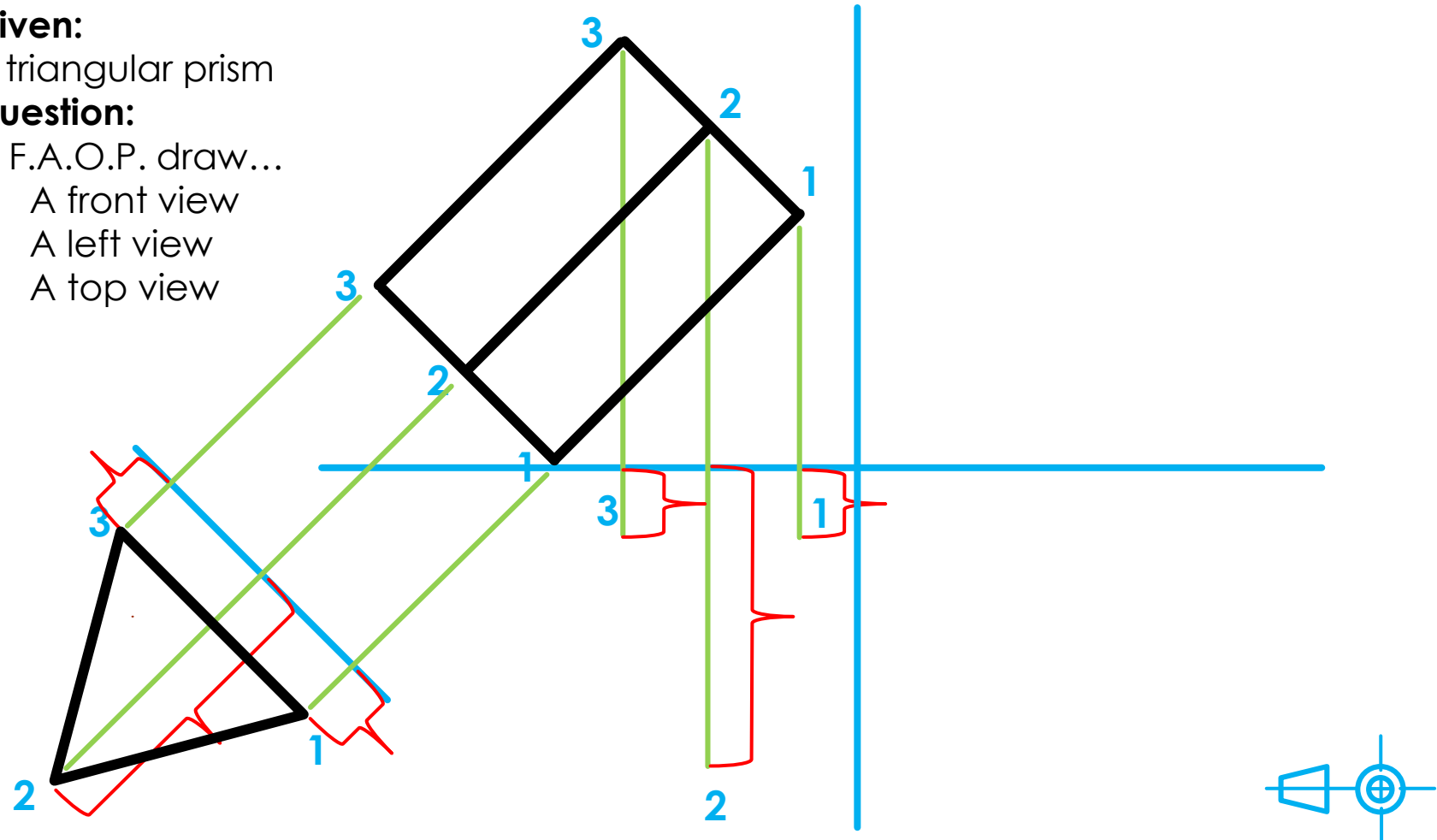
**Given:**

A triangular prism

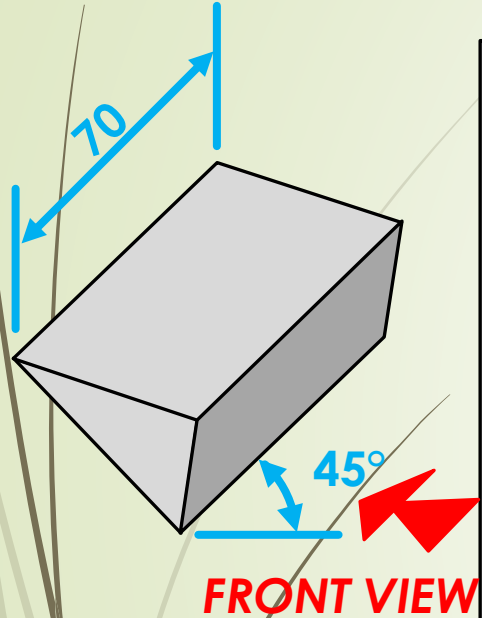
**Question:**

In F.A.O.P. draw...

1. A front view
2. A left view
3. A top view



# Application on pyramids, prisms, cones and cylinders



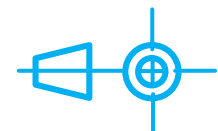
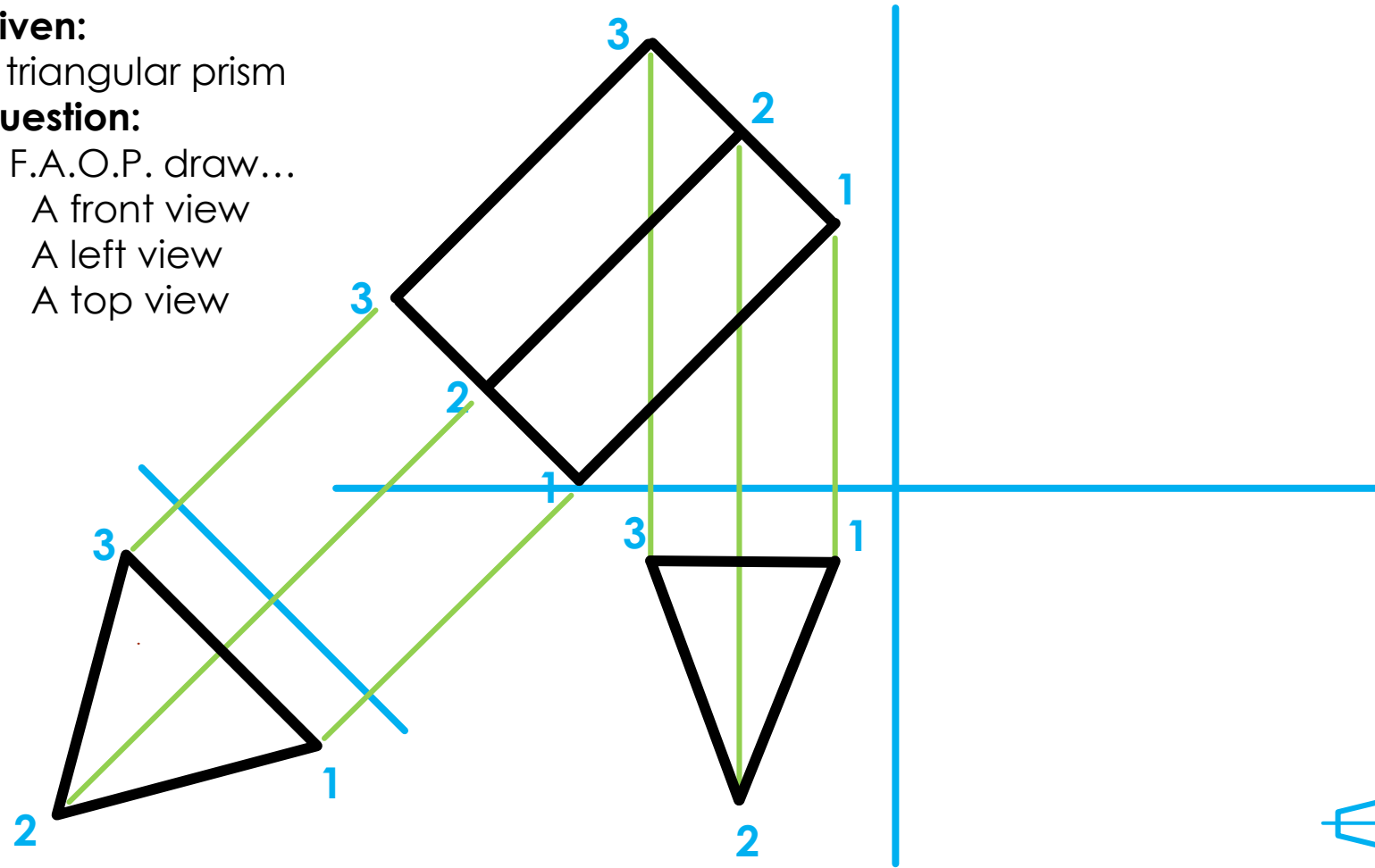
**Given:**

A triangular prism

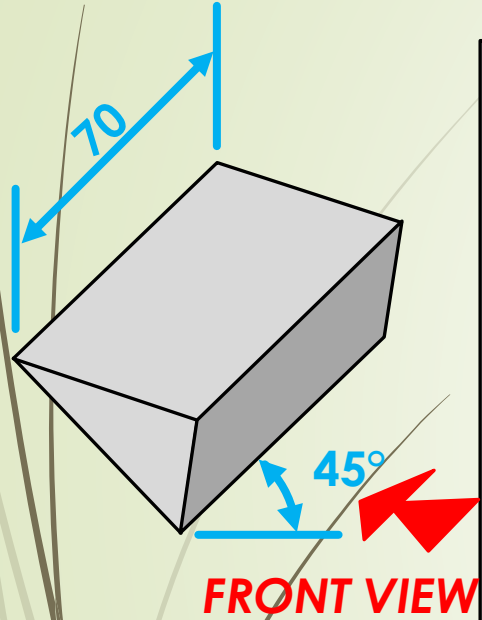
**Question:**

In F.A.O.P. draw...

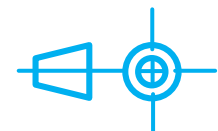
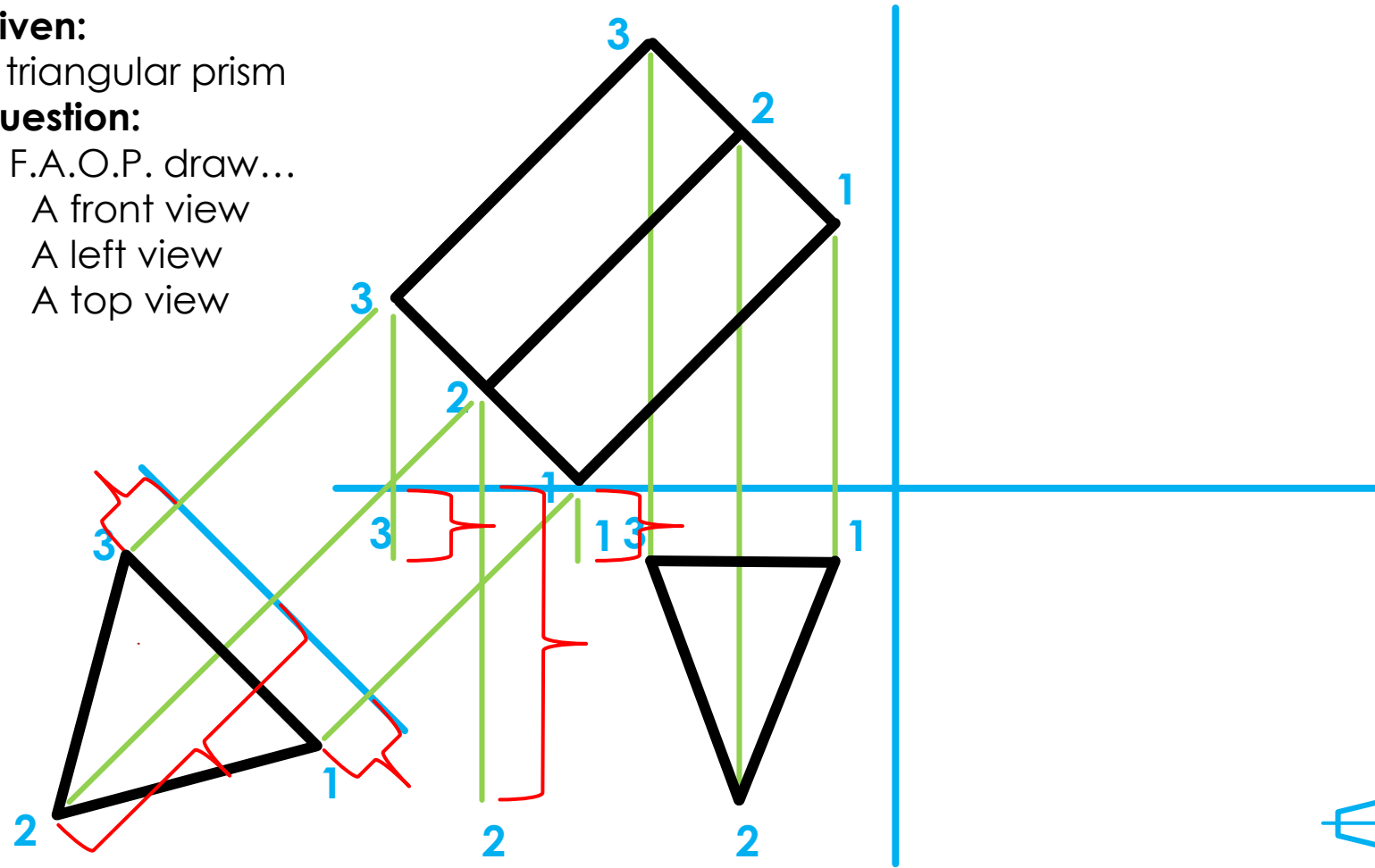
1. A front view
2. A left view
3. A top view



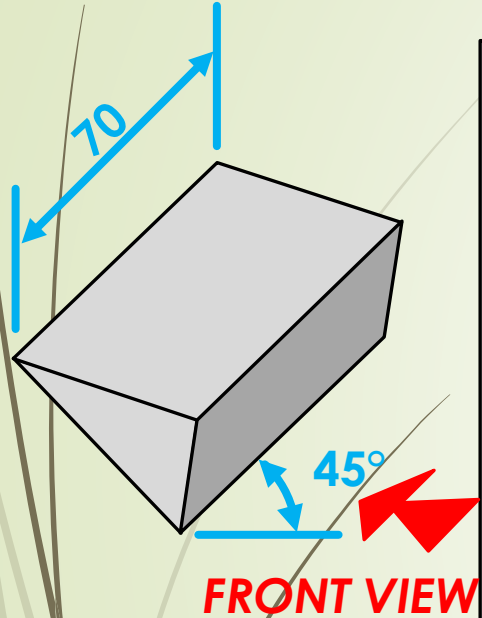
# Application on pyramids, prisms, cones and cylinders



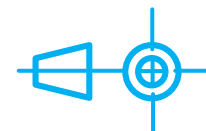
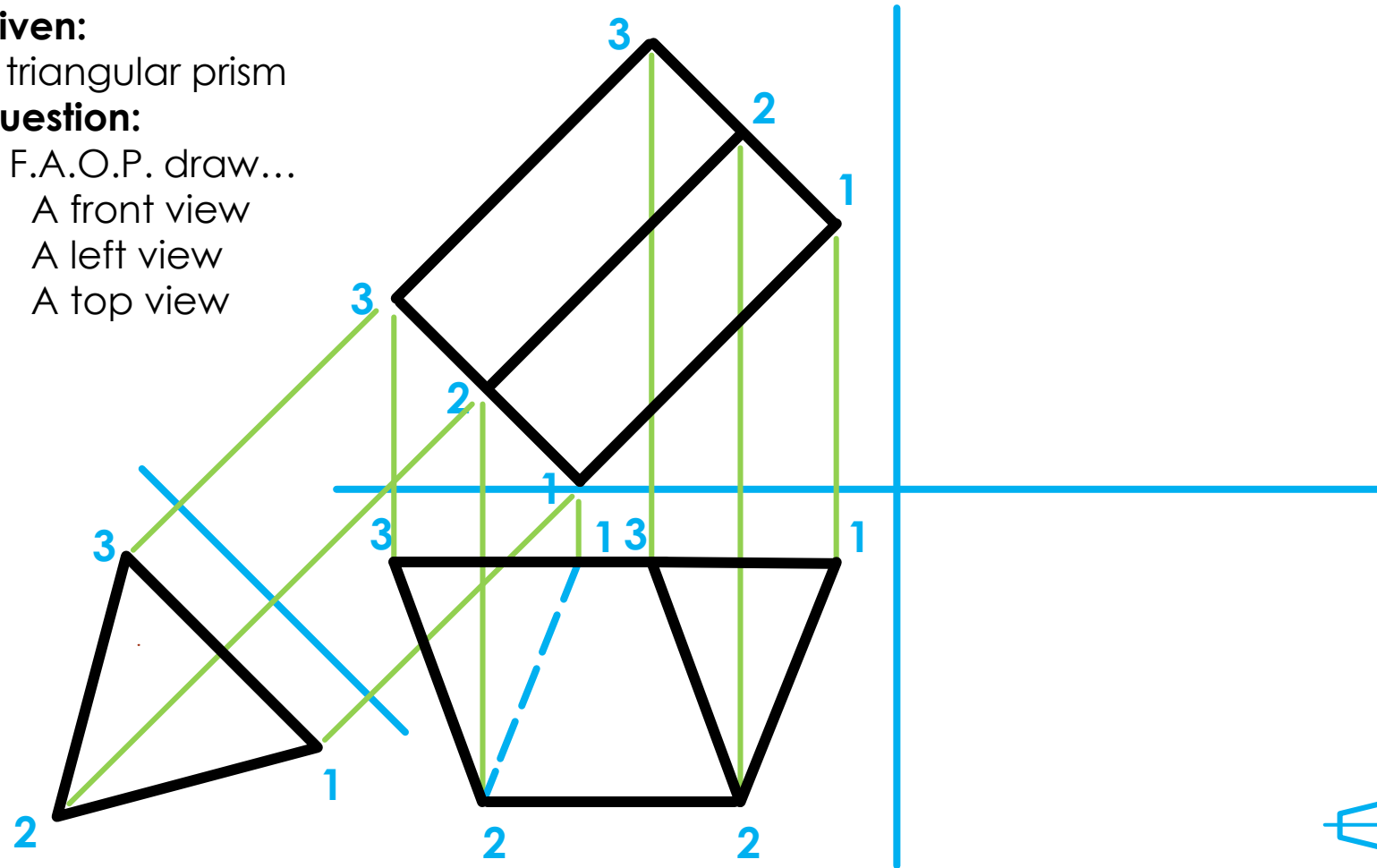
**Given:**  
A triangular prism  
**Question:**  
In F.A.O.P. draw...  
1. A front view  
2. A left view  
3. A top view



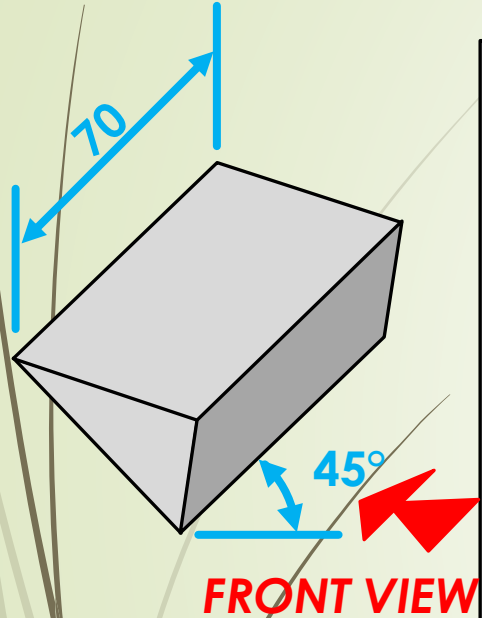
# Application on pyramids, prisms, cones and cylinders



**Given:**  
A triangular prism  
**Question:**  
In F.A.O.P. draw...  
1. A front view  
2. A left view  
3. A top view



# Application on pyramids, prisms, cones and cylinders



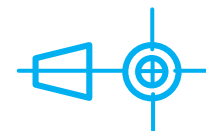
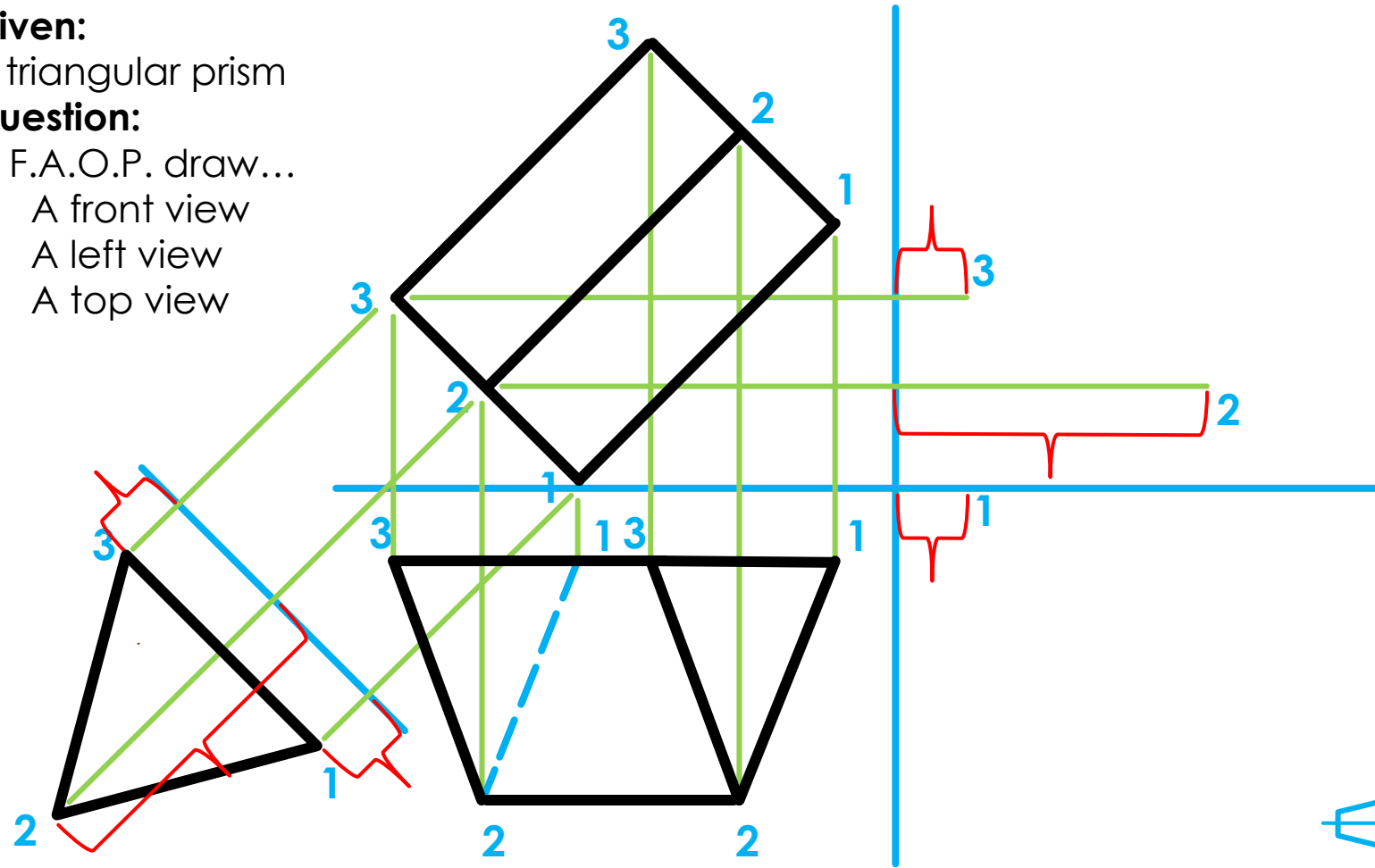
**Given:**

A triangular prism

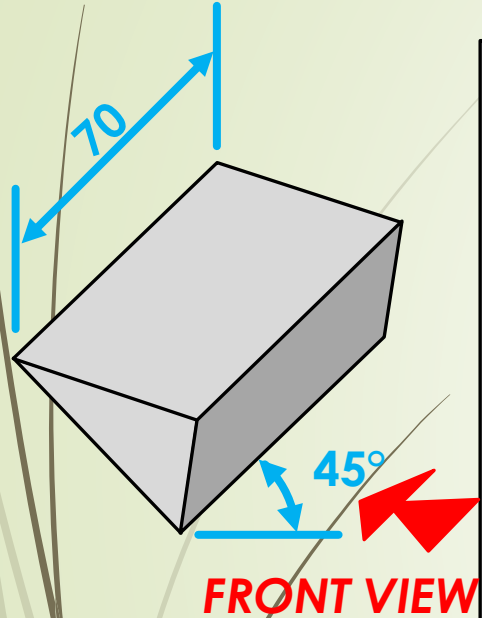
**Question:**

In F.A.O.P. draw...

1. A front view
2. A left view
3. A top view



# Application on pyramids, prisms, cones and cylinders



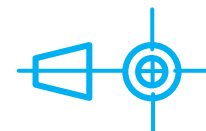
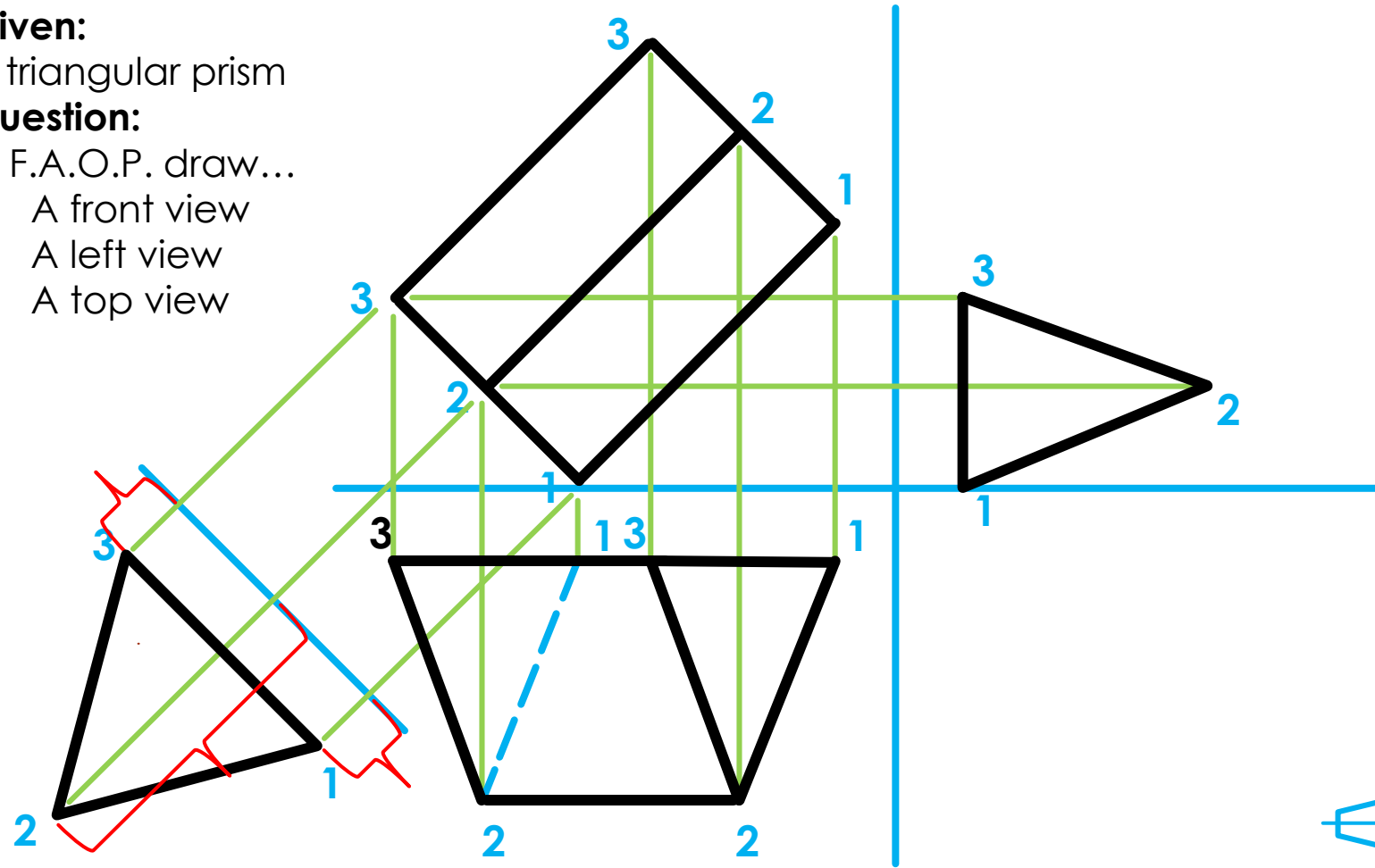
**Given:**

A triangular prism

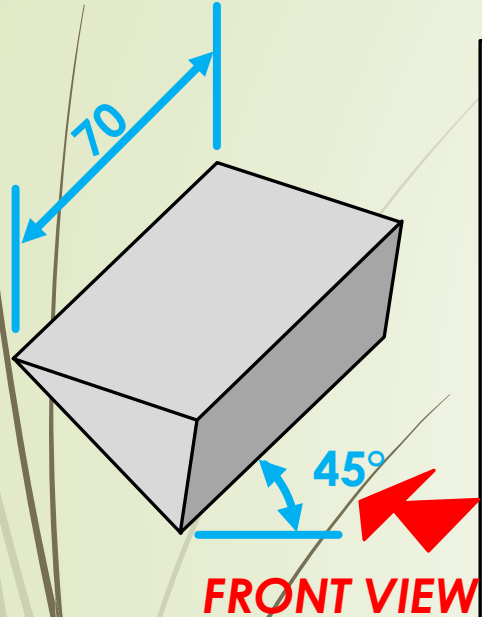
**Question:**

In F.A.O.P. draw...

1. A front view
2. A left view
3. A top view



# Application on pyramids, prisms, cones and cylinders



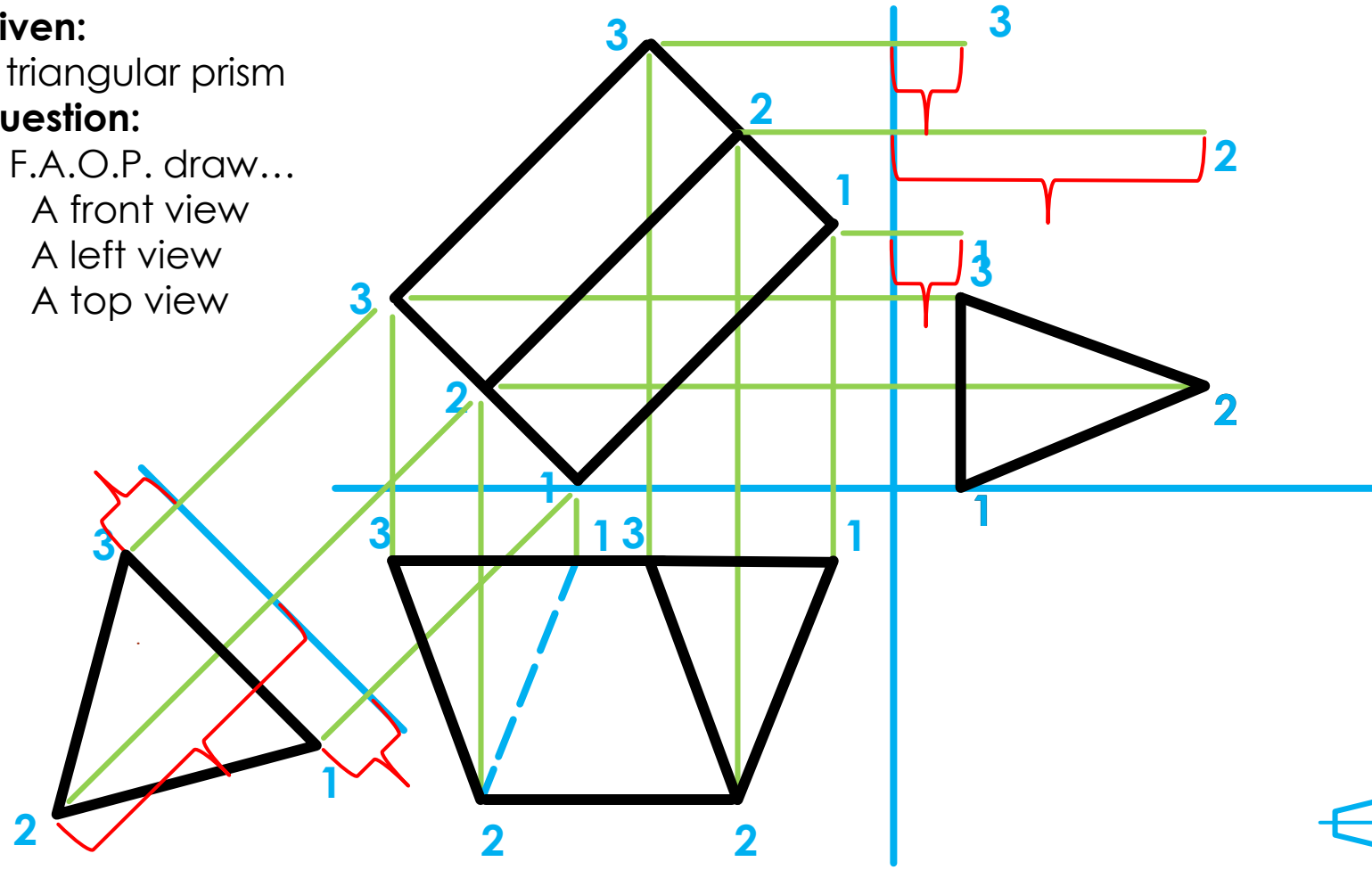
**Given:**

A triangular prism

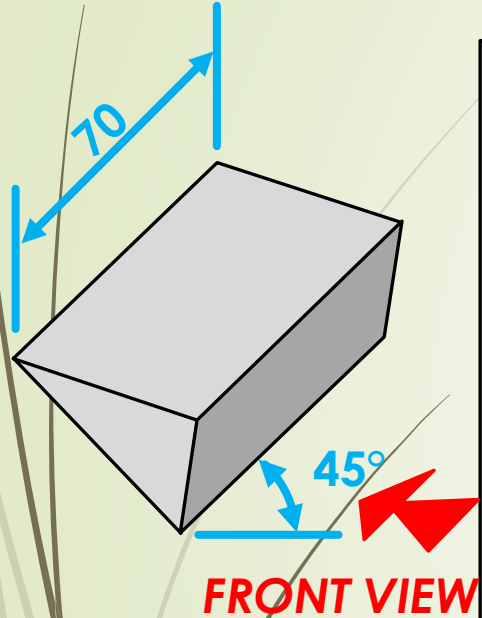
**Question:**

In F.A.O.P. draw...

1. A front view
2. A left view
3. A top view



# Application on pyramids, prisms, cones and cylinders



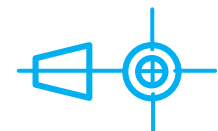
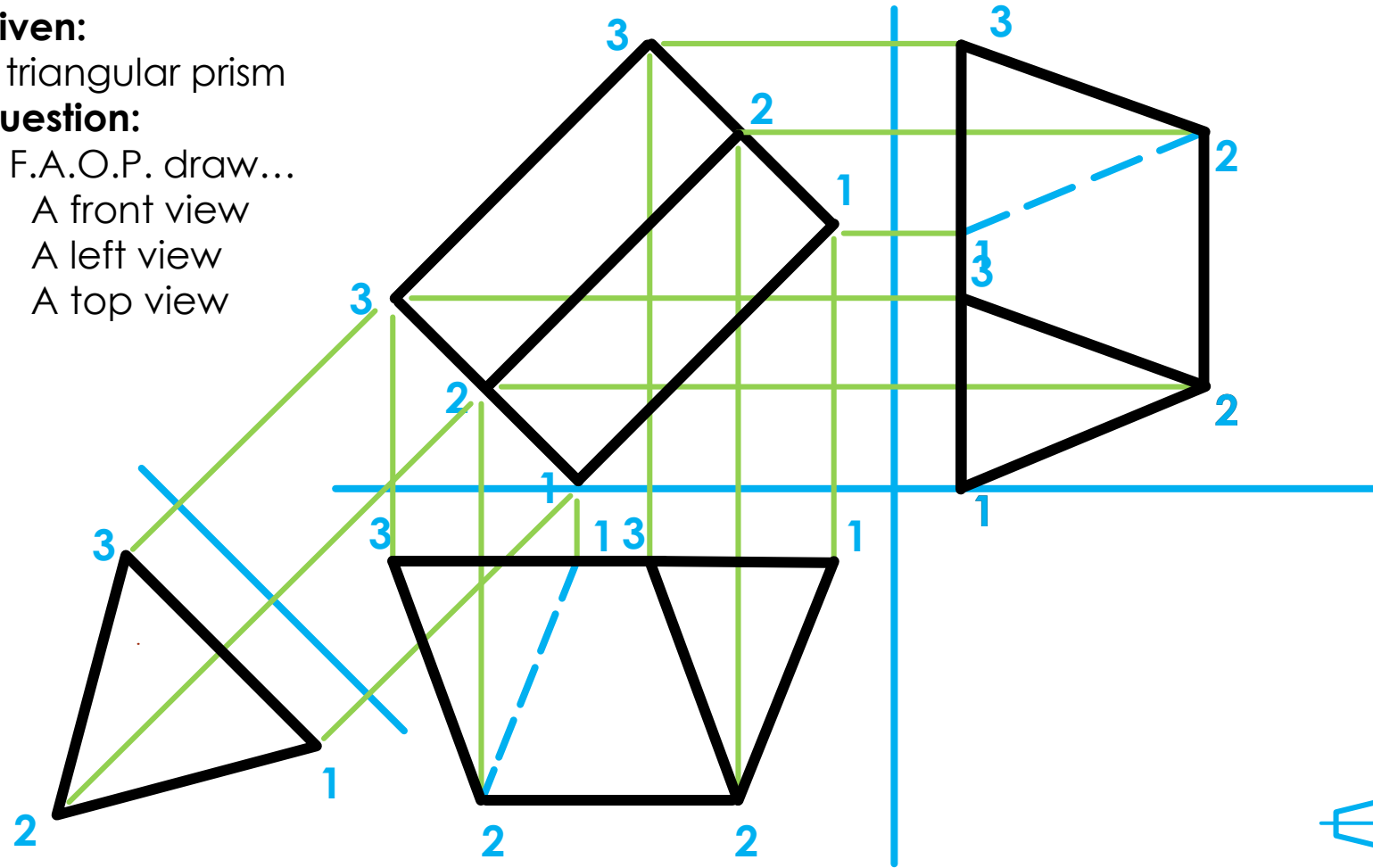
**Given:**

A triangular prism

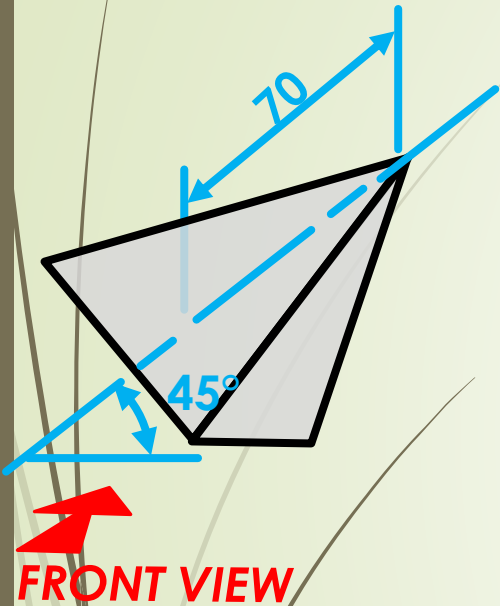
**Question:**

In F.A.O.P. draw...

1. A front view
2. A left view
3. A top view



# Application on pyramids, prisms, cones and cylinders



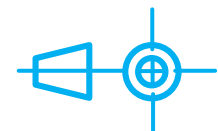
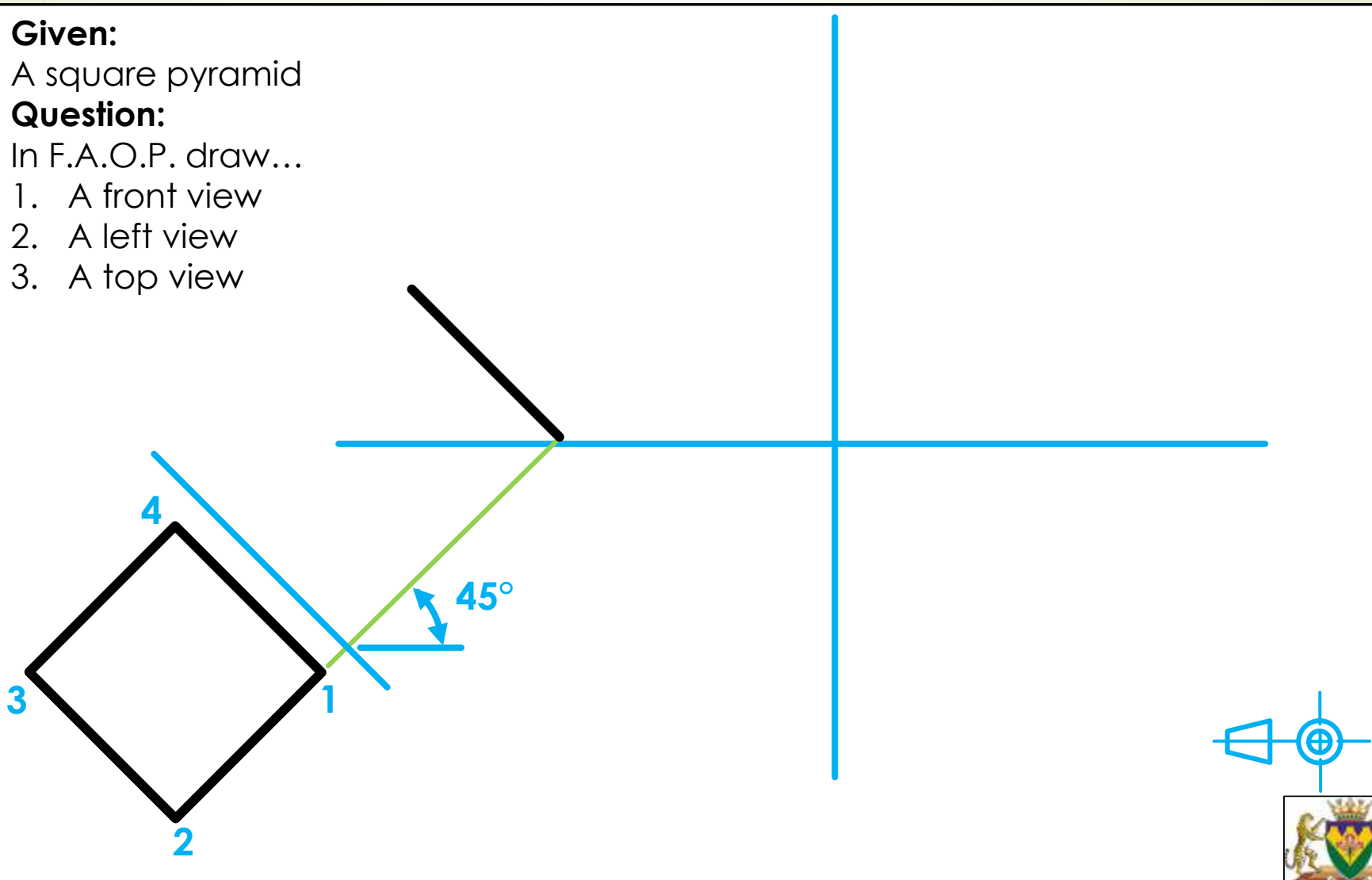
**Given:**

A square pyramid

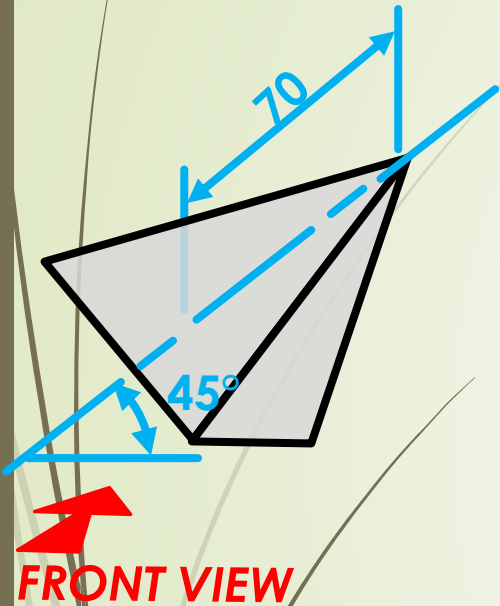
**Question:**

In F.A.O.P. draw...

1. A front view
2. A left view
3. A top view



# Application on pyramids, prisms, cones and cylinders



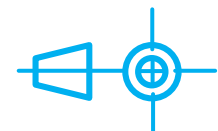
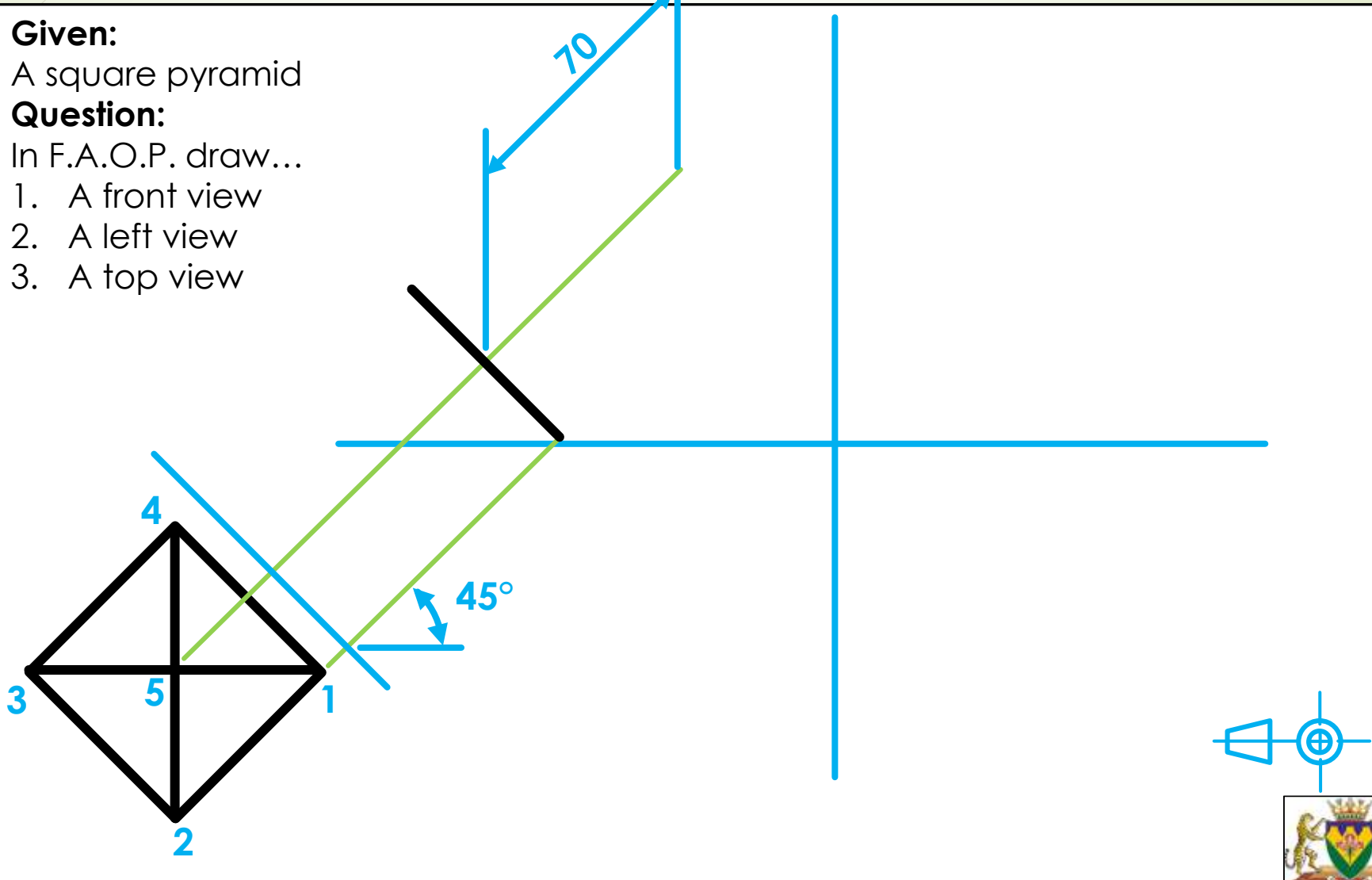
**Given:**

A square pyramid

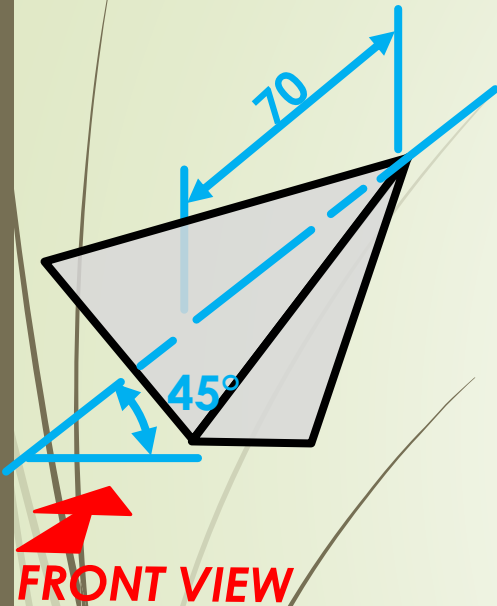
**Question:**

In F.A.O.P. draw...

1. A front view
2. A left view
3. A top view



# Application on pyramids, prisms, cones and cylinders



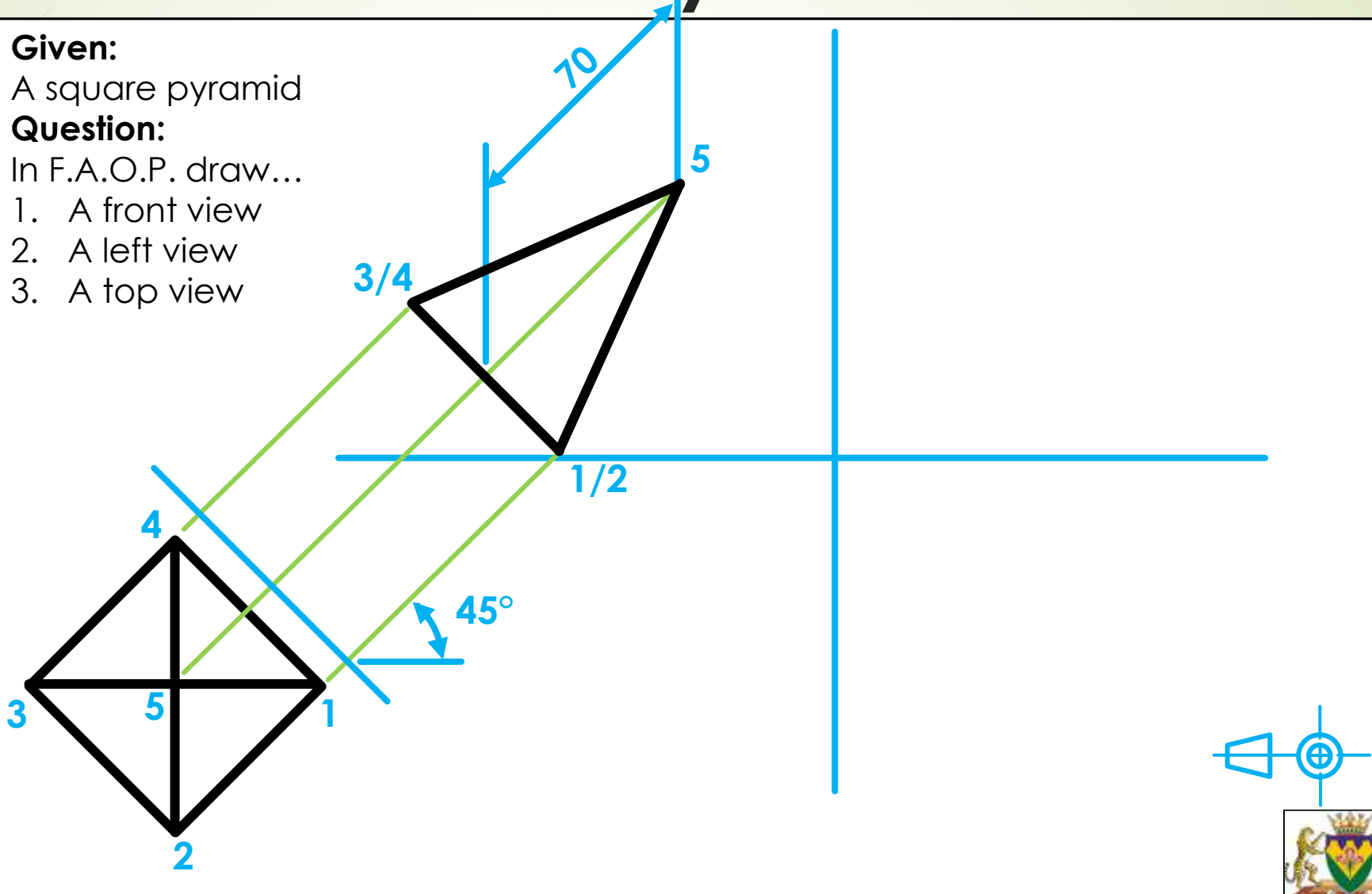
**Given:**

A square pyramid

**Question:**

In F.A.O.P. draw...

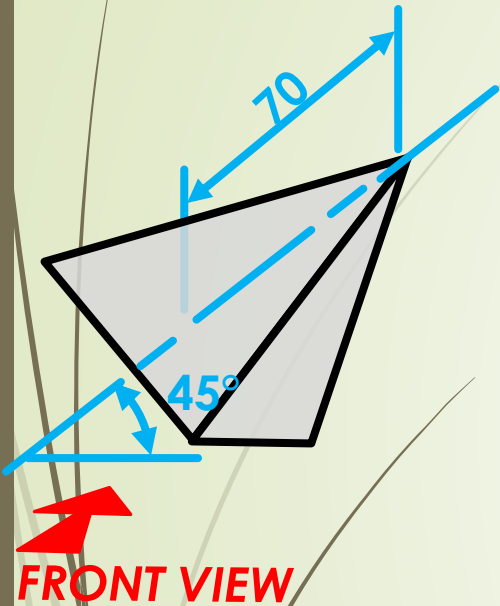
1. A front view
2. A left view
3. A top view







# Application on pyramids, prisms, cones and cylinders



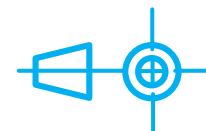
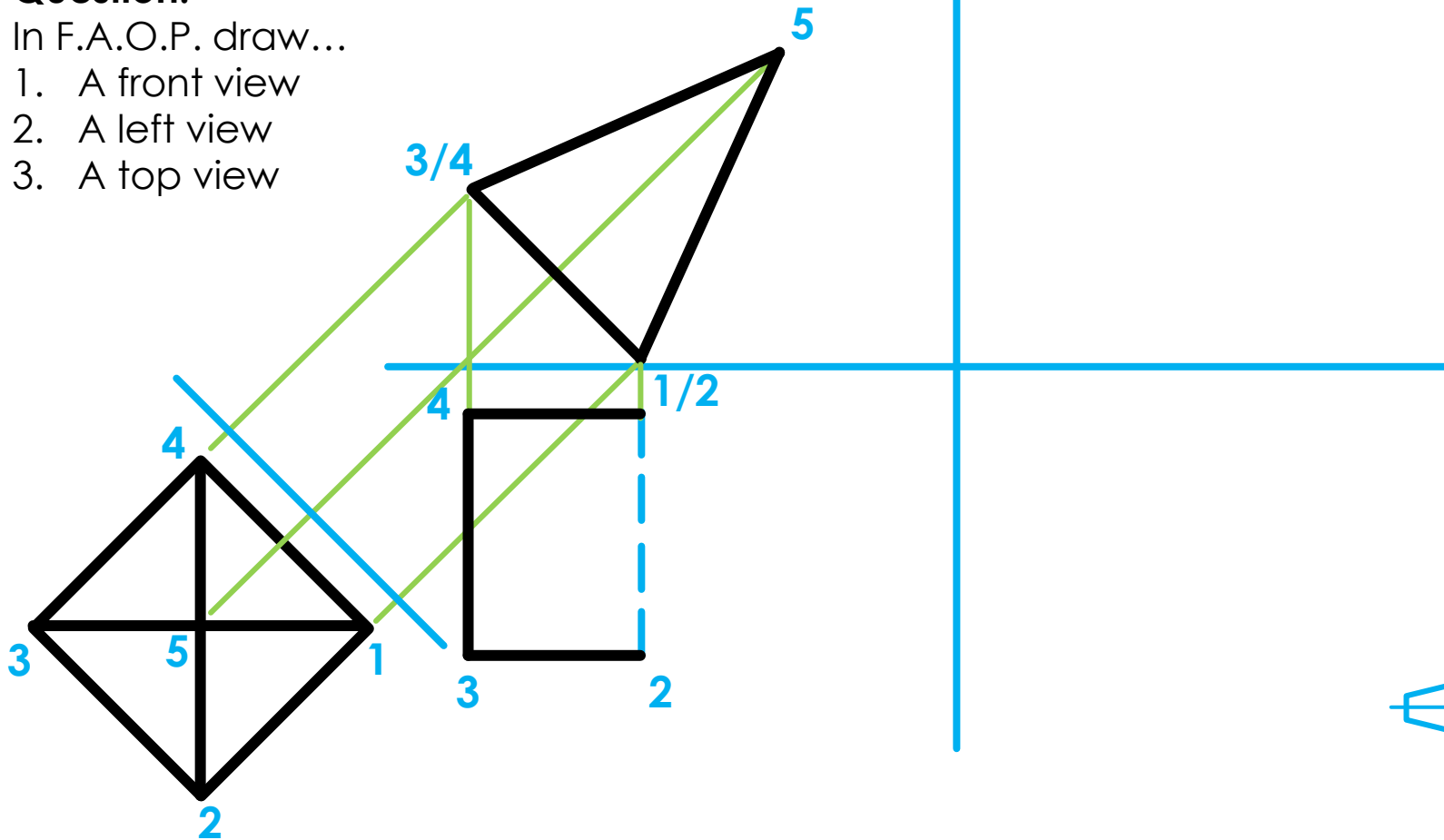
**Given:**

A square pyramid

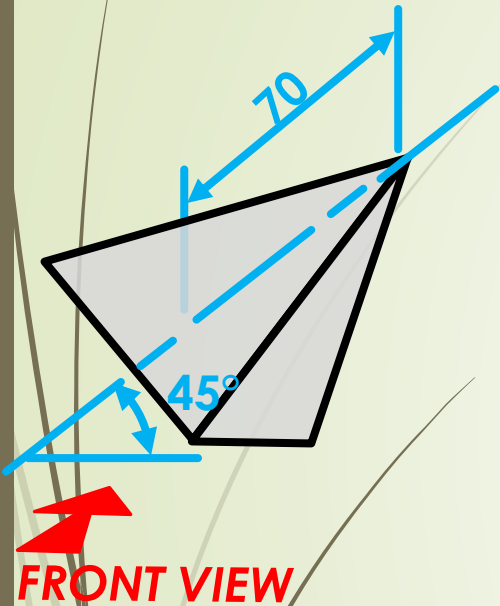
**Question:**

In F.A.O.P. draw...

1. A front view
2. A left view
3. A top view



# Application on pyramids, prisms, cones and cylinders



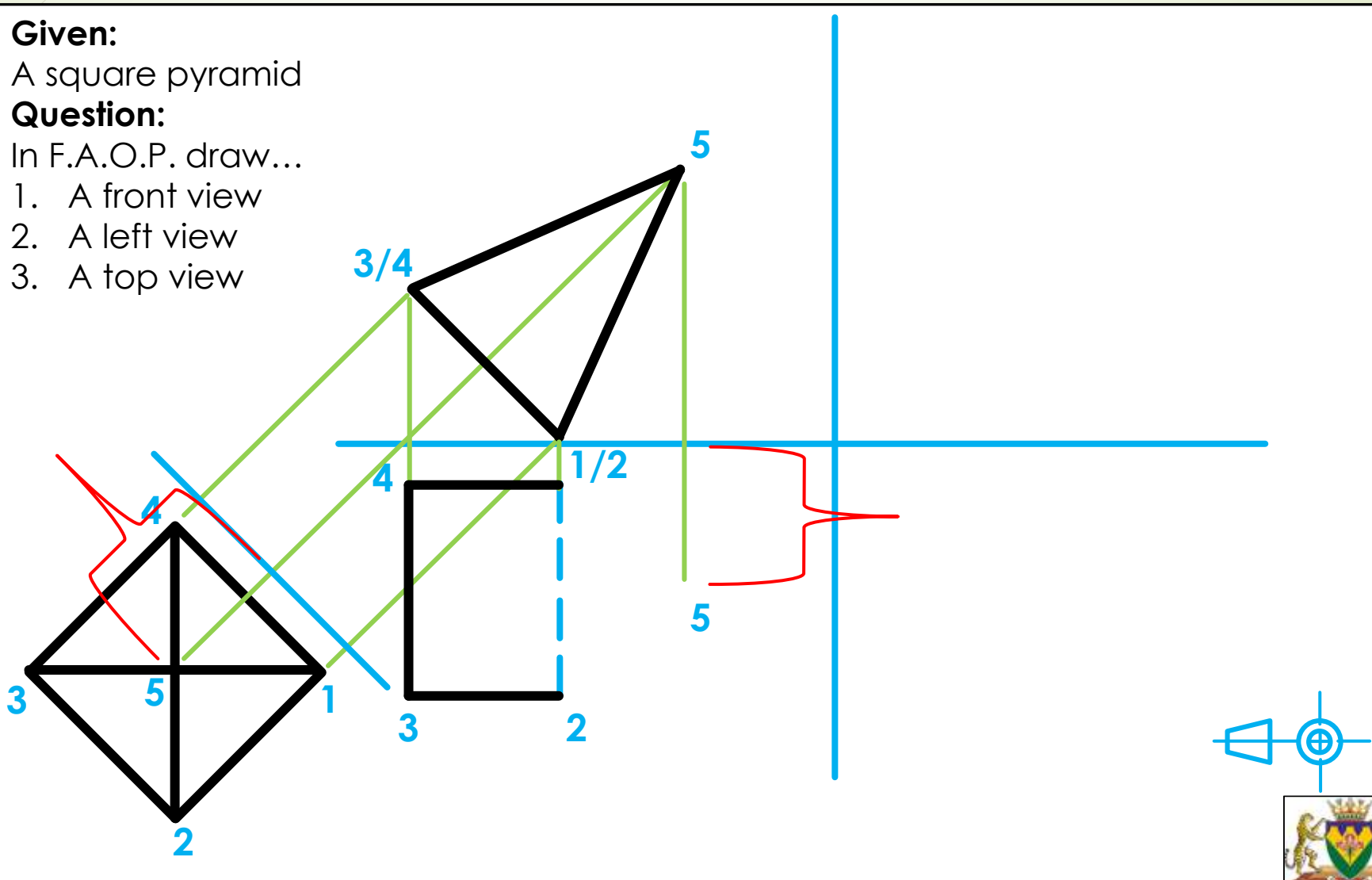
**Given:**

A square pyramid

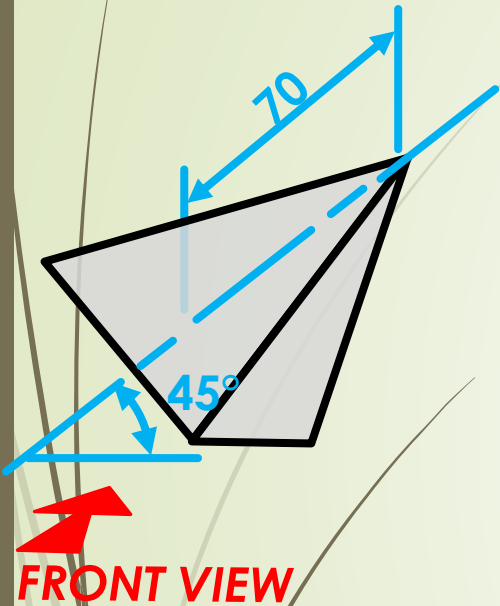
**Question:**

In F.A.O.P. draw...

1. A front view
2. A left view
3. A top view



# Application on pyramids, prisms, cones and cylinders



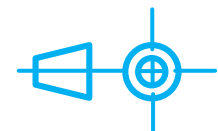
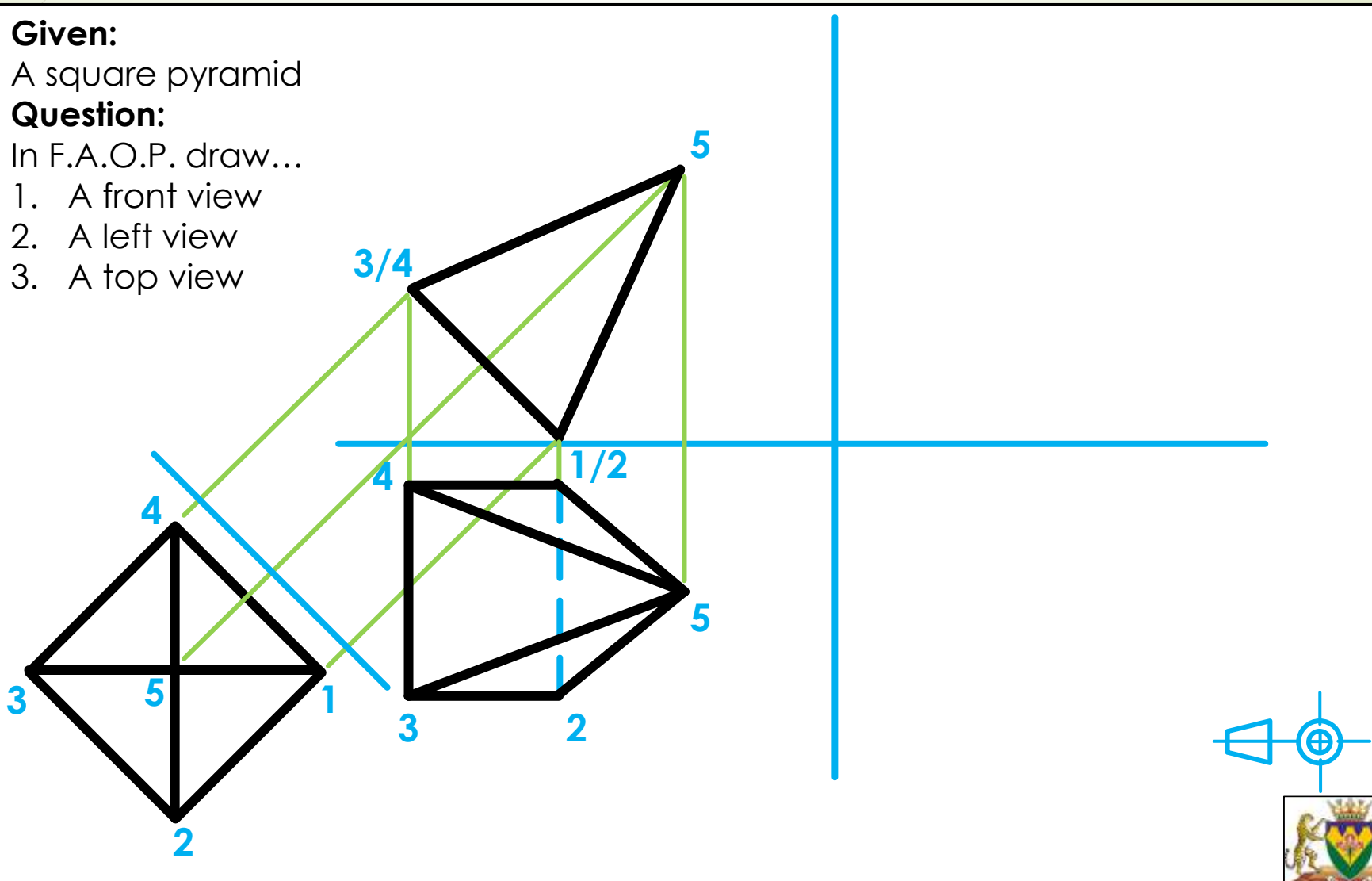
**Given:**

A square pyramid

**Question:**

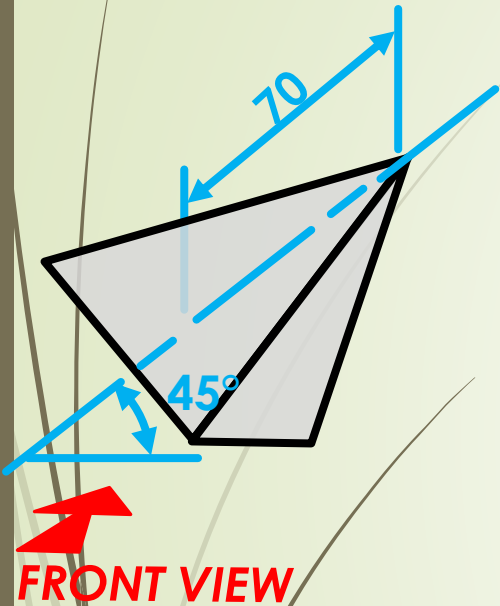
In F.A.O.P. draw...

1. A front view
2. A left view
3. A top view





# Application on pyramids, prisms, cones and cylinders



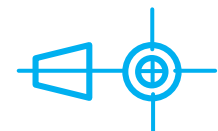
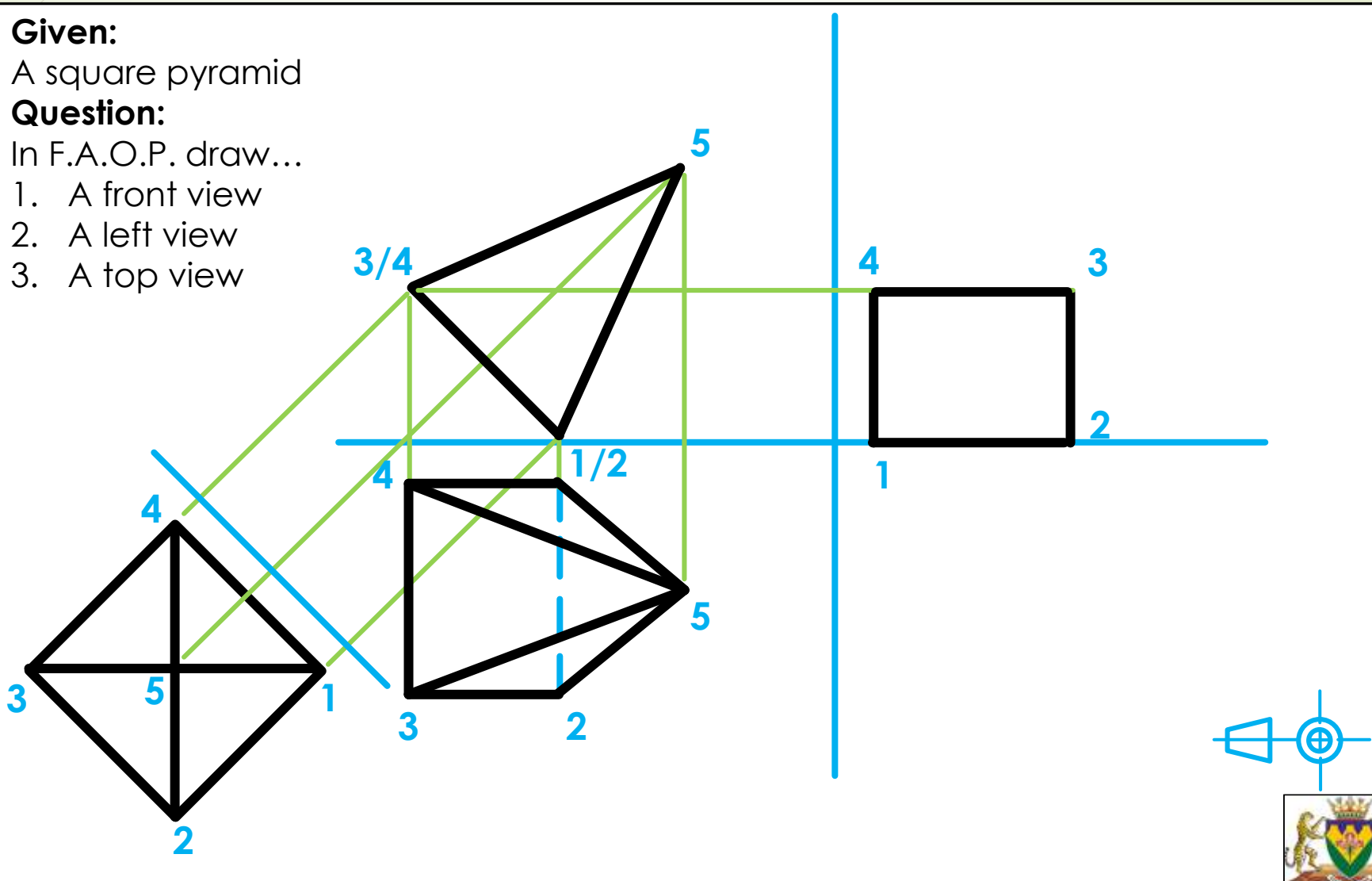
**Given:**

A square pyramid

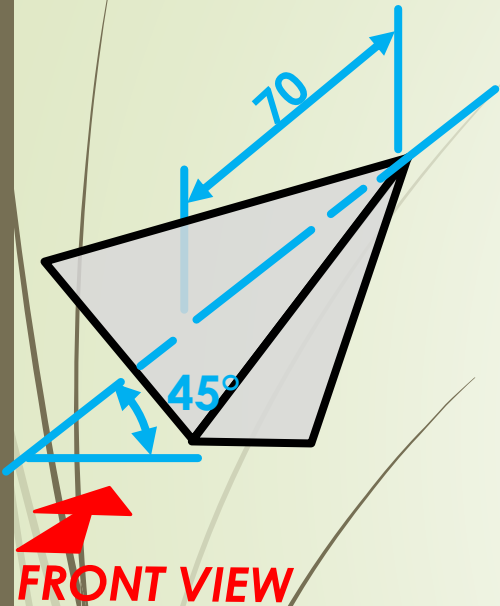
**Question:**

In F.A.O.P. draw...

1. A front view
2. A left view
3. A top view



# Application on pyramids, prisms, cones and cylinders



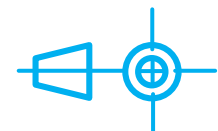
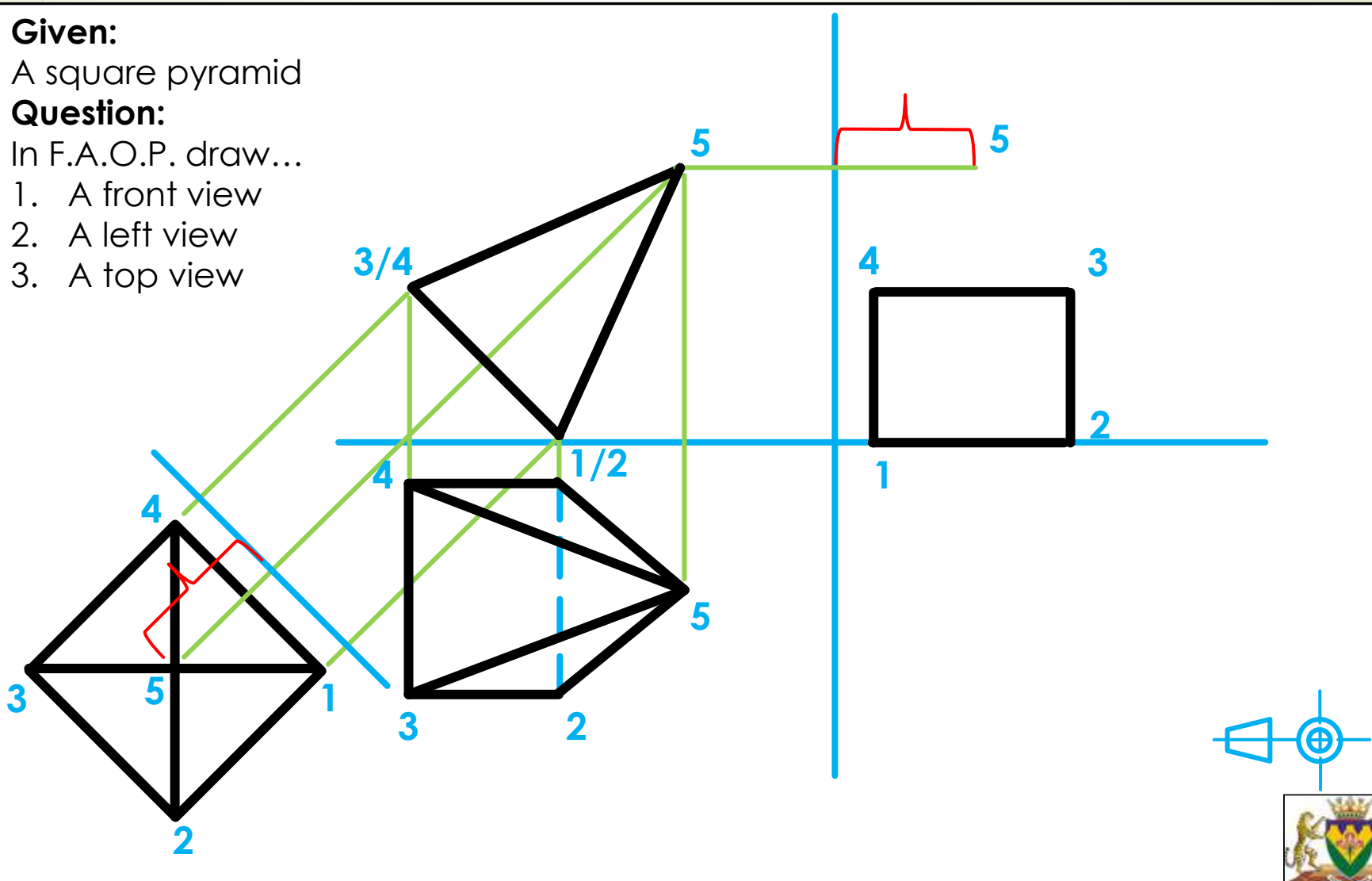
**Given:**

A square pyramid

**Question:**

In F.A.O.P. draw...

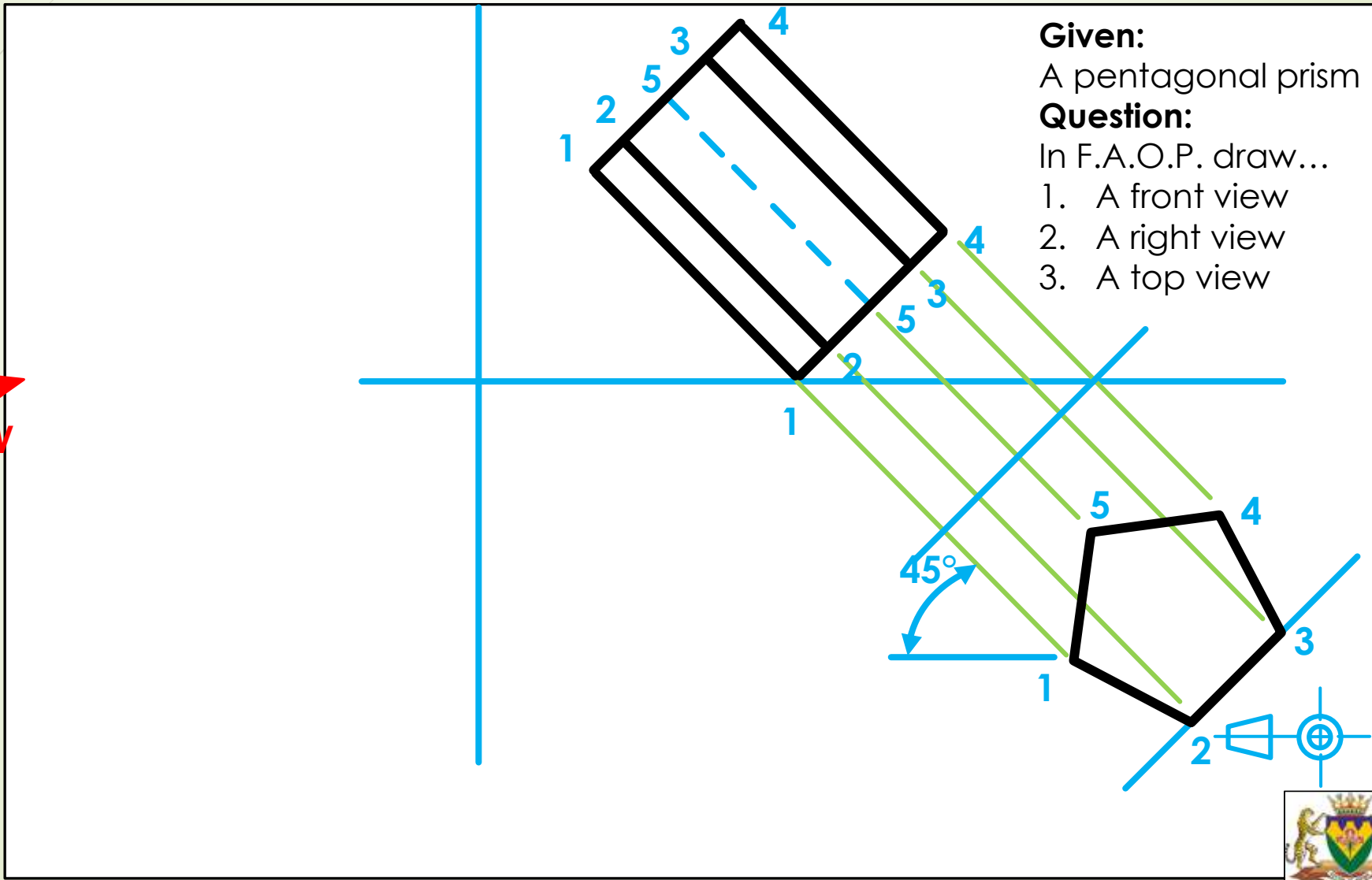
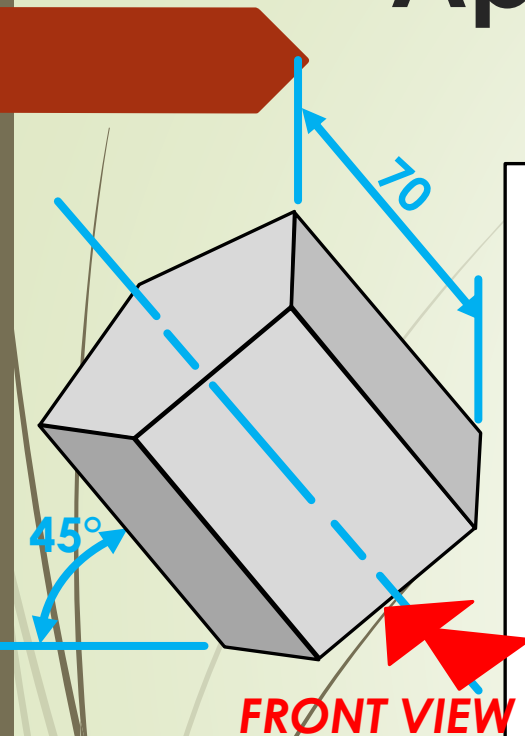
1. A front view
2. A left view
3. A top view



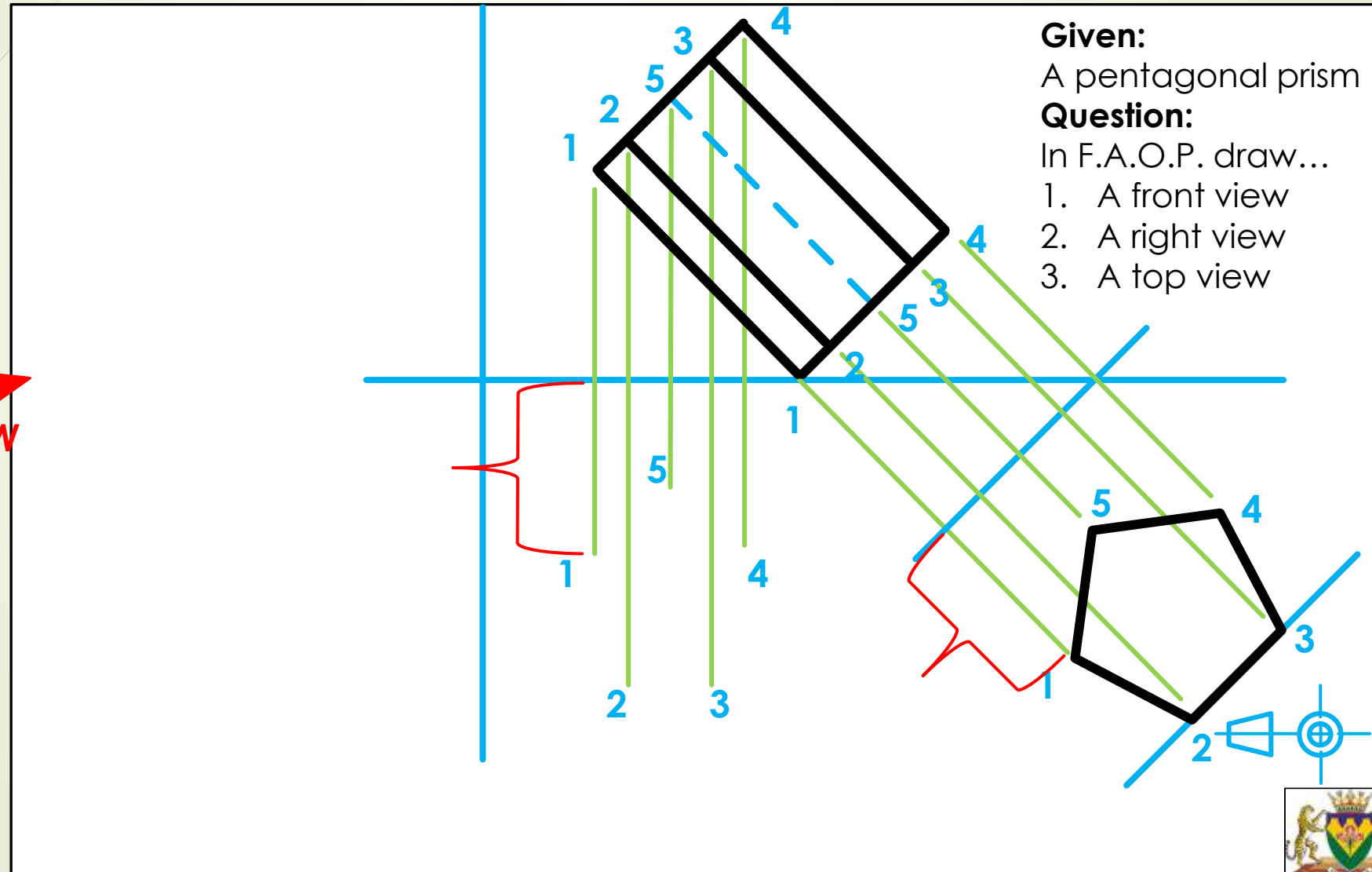
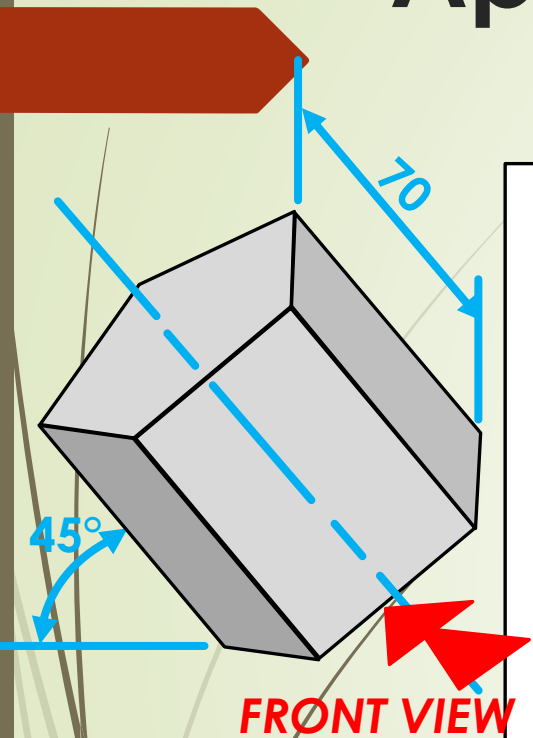




# Application on pyramids, prisms, cones and cylinders

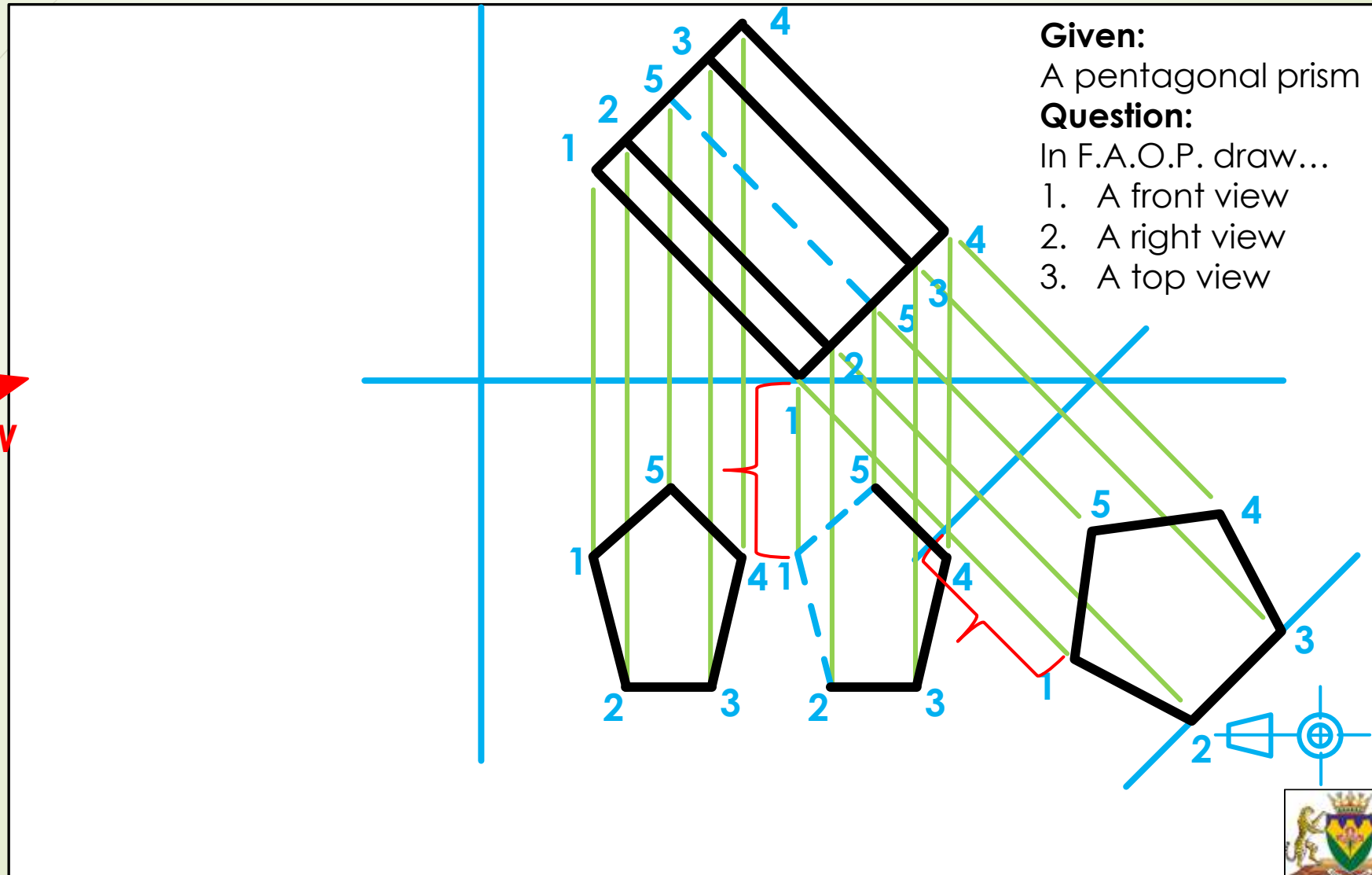
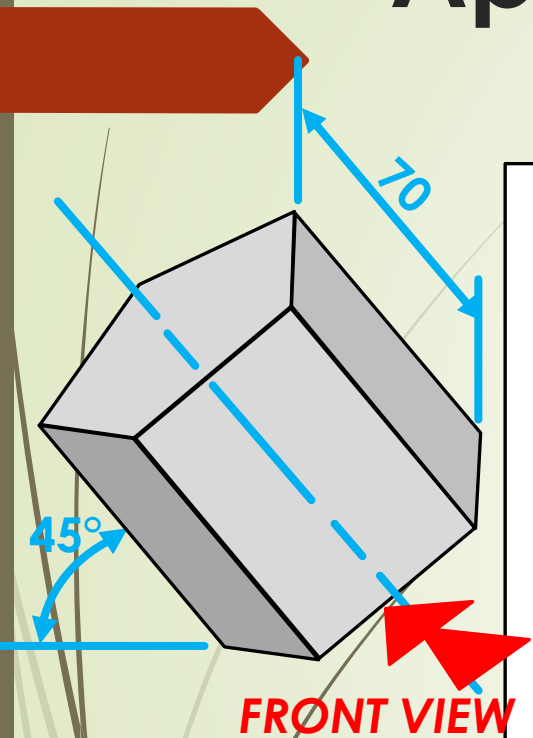


# Application on pyramids, prisms, cones and cylinders

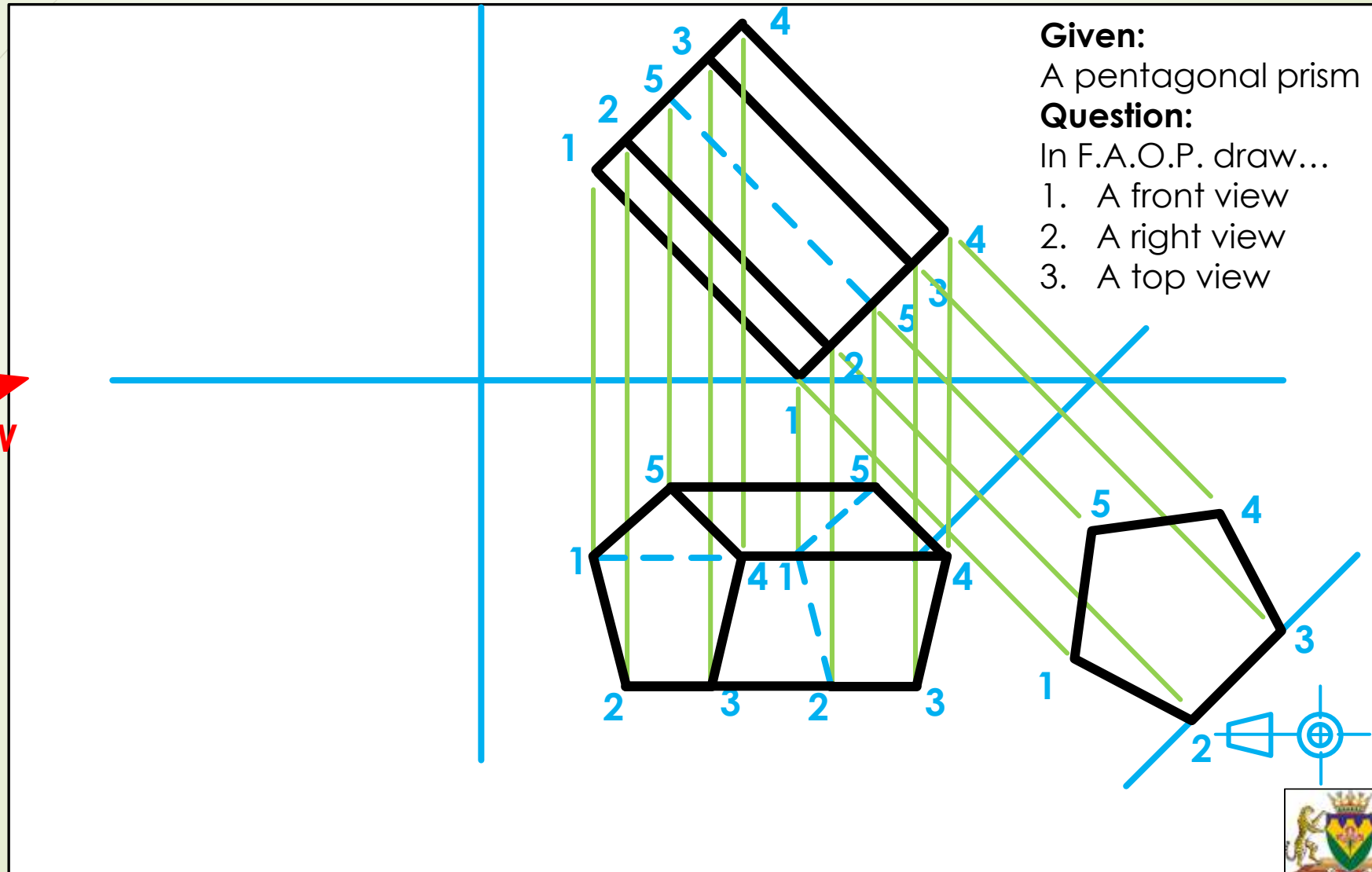
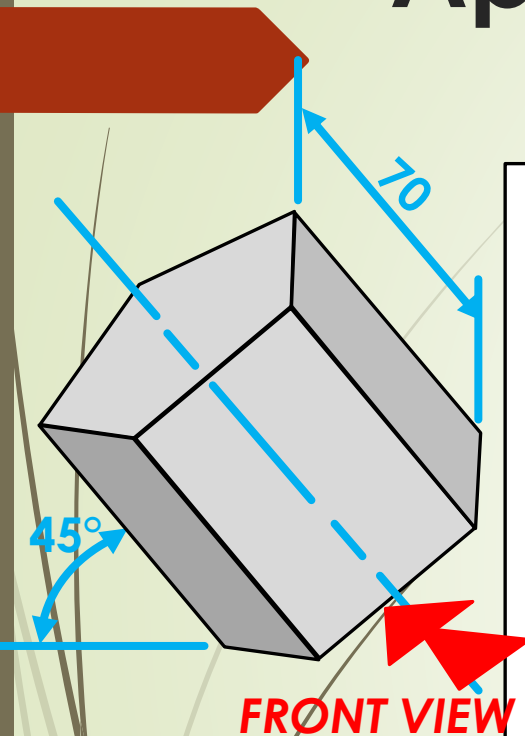




# Application on pyramids, prisms, cones and cylinders

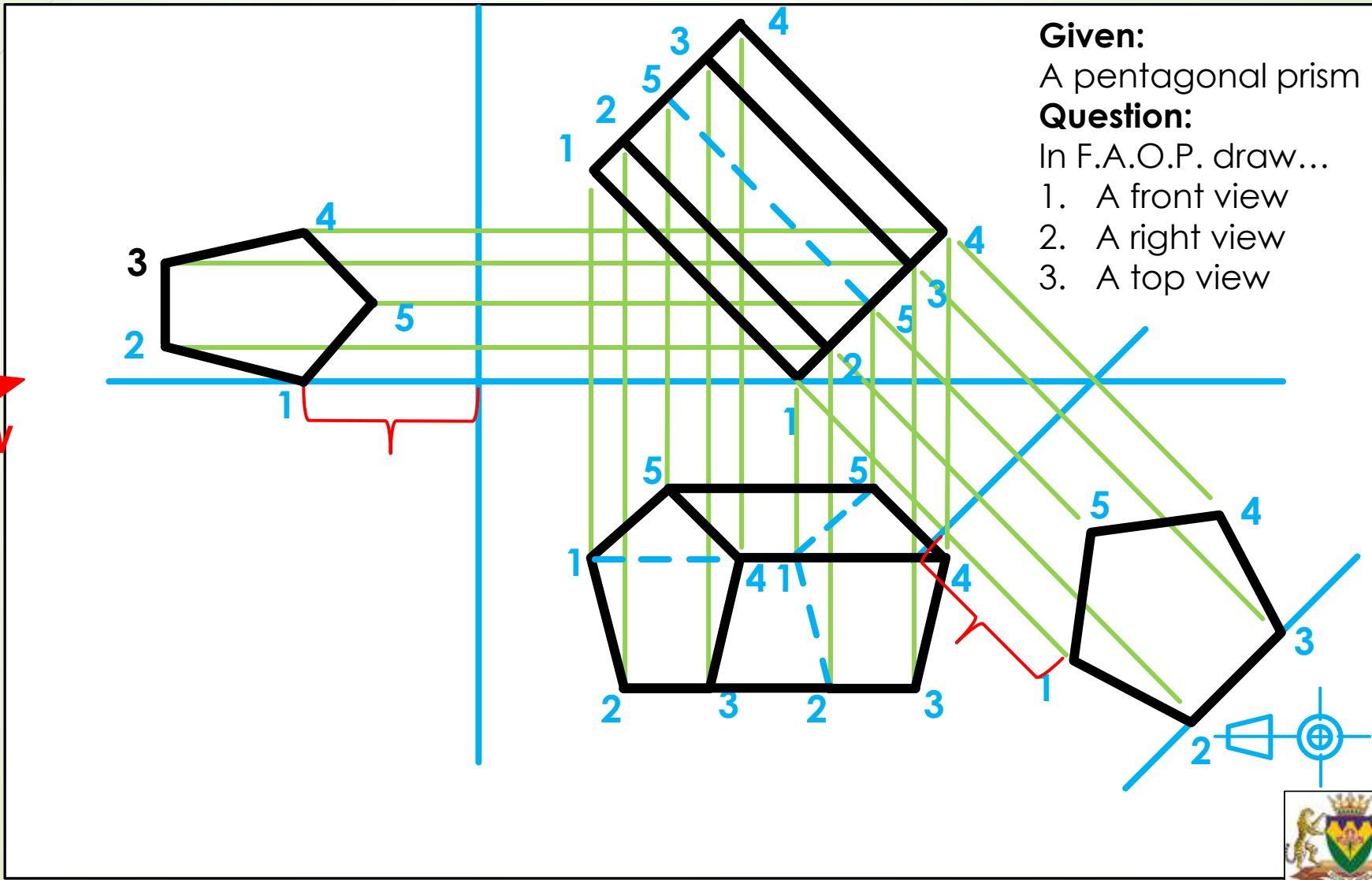
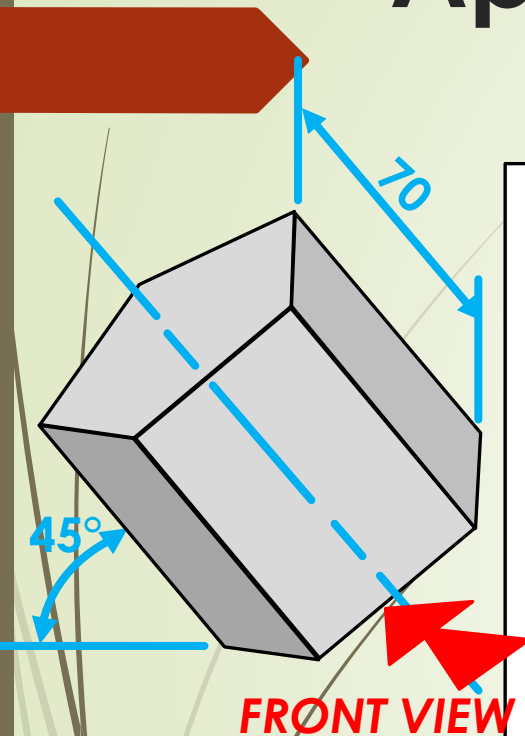


# Application on pyramids, prisms, cones and cylinders

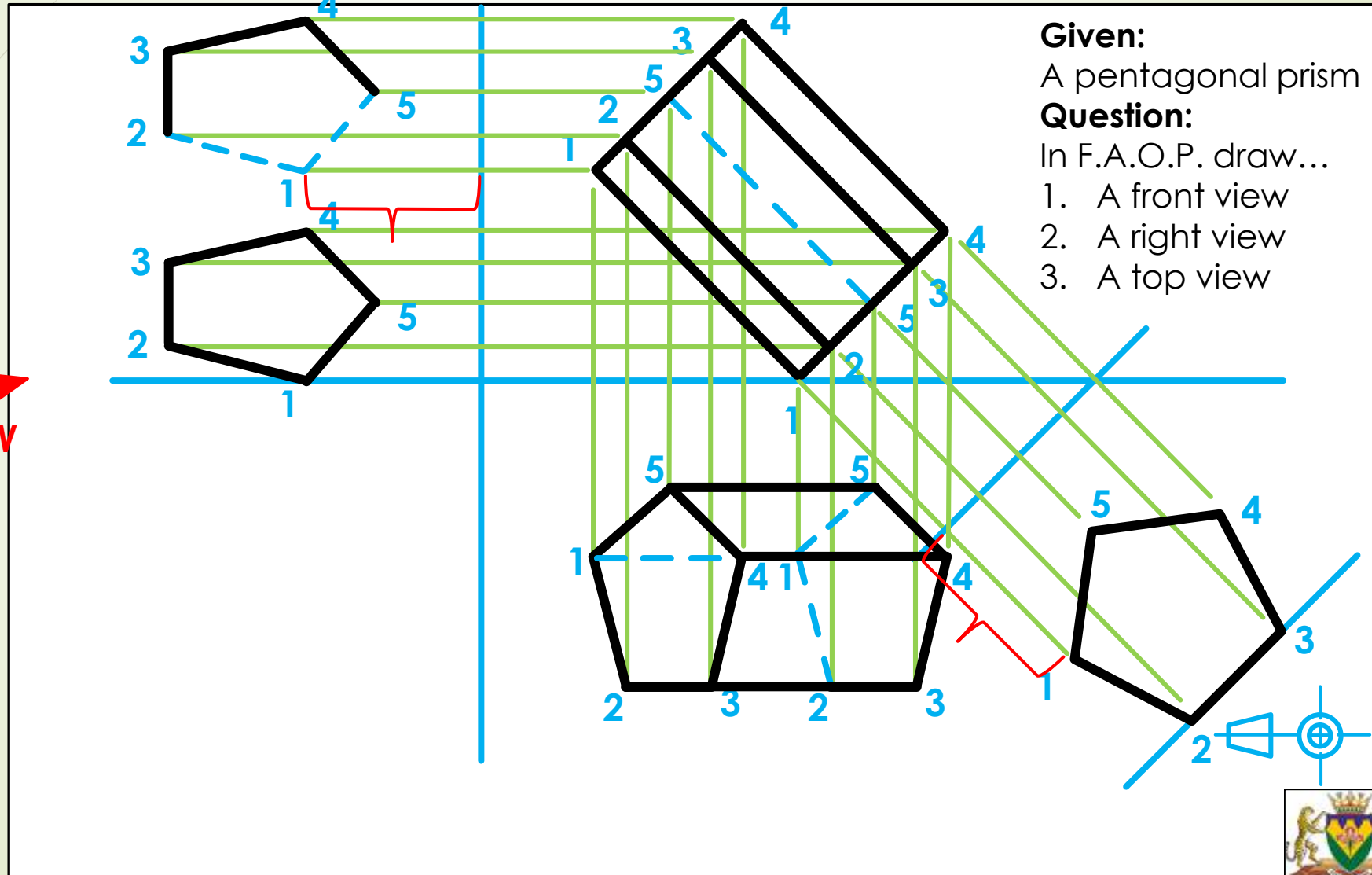
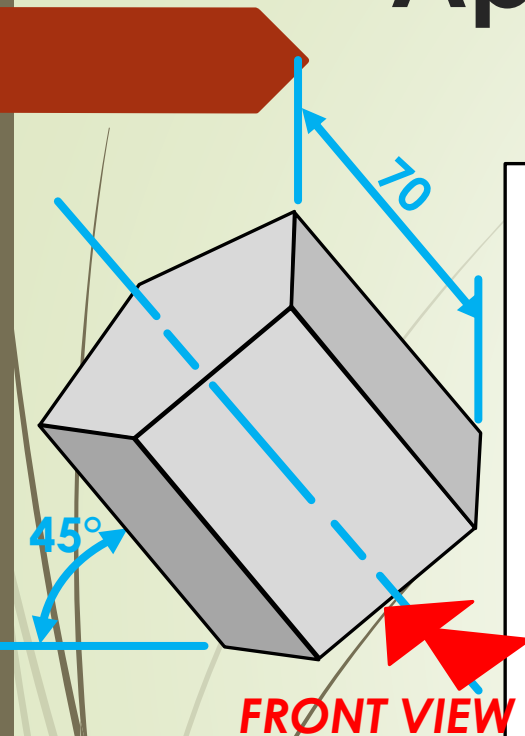




# Application on pyramids, prisms, cones and cylinders



# Application on pyramids, prisms, cones and cylinders



# Application on pyramids, prisms, cones and cylinders

