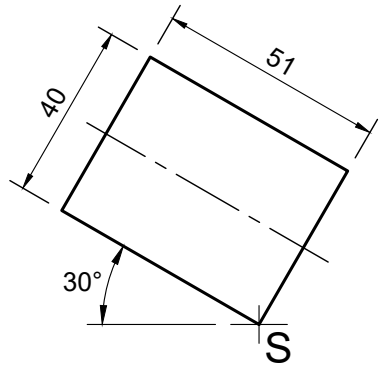


QUESTION 2.1: SOLID GEOMETRY



Given:

- The front view of a equilateral square prism.
- The base side length of the equilateral square prism is 40 mm.
- The start position S.

Instructions:

Draw to a scale of 1 : 1, the following views of the solid:

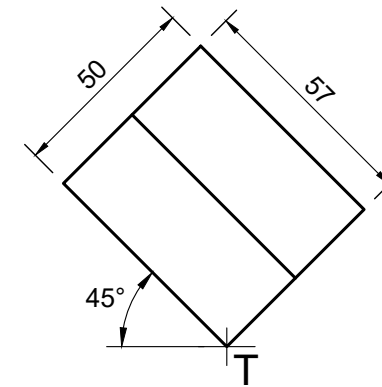
- 2.1 The given front view
- 2.2 The top view
- 2.3 The right view

Note:

- Planning is essential.
- Use the start position S on this diagram sheet.
- Show all construction lines.
- Show all hidden detail.

S

QUESTION 2.2: SOLID GEOMETRY



Given:

- The front view of a equilateral triangular prism.
- The base side length of the equilateral triangular prism is 50 mm.
- The start position T.

Instructions:

Draw to a scale of 1 : 1, the following views of the solid:

- 2.1 The given front view
- 2.2 The top view
- 2.3 The left view

Note:

- Planning is essential.
- Use the start position T on this diagram sheet.
- Show all construction lines.
- Show all hidden detail.

T

ASSESSMENT CRITERIA			
1	AUXILIARY VIEW	9	
2	FRONT VIEW	5	
3	TOP VIEW	7	
4	RIGHT VIEW	7	
PENALTIES (-1)			
TOTAL		28	

ASSESSMENT CRITERIA			
1	AUXILIARY VIEW	8	
2	FRONT VIEW	6	
3	TOP VIEW	7	
4	LEFT VIEW	7	
PENALTIES (-1)			
TOTAL		28	



SOLID GEOMETRY	ESTIMATED TIME FOR COMPLETION	35 MIN	GRADE 10	NAME & SURNAME		TASK	PAGE
	YOUR TIME OF COMPLETION	MIN				7.5	2.5