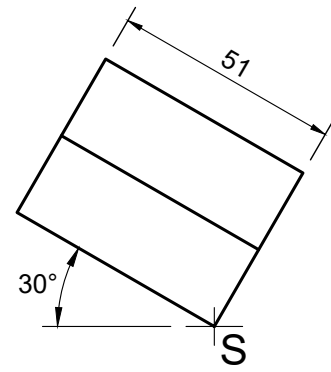


QUESTION 2.1: SOLID GEOMETRY



Given:

- The front view of an equilateral square prism.
- The base side length of the equilateral square prism is 35 mm.
- Start position S.

Instructions:

Draw to a scale of 1 : 1, the following views of the solid:

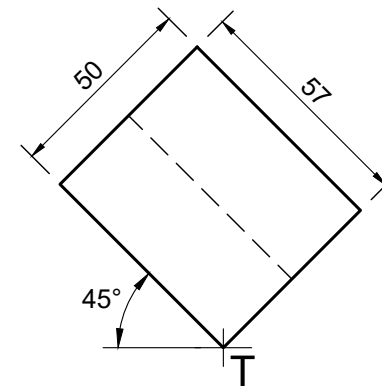
- 2.1 The given front view
- 2.2 The top view
- 2.3 The right view

Note:

- Planning is essential.
- Use point S on this diagram sheet as the start position.
- Show all construction lines.
- Show all hidden detail.

+S

QUESTION 2.2: SOLID GEOMETRY



Given:

- The front view of an equilateral triangular prism.
- The base side length of the equilateral triangular prism is 50 mm.
- Start position T

Instructions:

Draw to a scale of 1 : 1, the following views of the solid:

- 2.1 The given front view
- 2.2 The top view
- 2.3 The left view

Note:

- Planning is essential.
- Use point T on this diagram sheet as the start position.
- Show all construction lines.
- Show all hidden detail.

+T

ASSESSMENT CRITERIA

1	AUXILIARY VIEW	10		
2	FRONT VIEW	6		
3	TOP VIEW	13		
4	RIGHT VIEW	13		
PENALTIES (-1)				
TOTAL		42		

ASSESSMENT CRITERIA

1	AUXILIARY VIEW	8		
2	FRONT VIEW	6		
3	TOP VIEW	7		
4	LEFT VIEW	7		
PENALTIES (-1)				
TOTAL		28		



SOLID GEOMETRY

ESTIMATED TIME FOR COMPLETION

35 MIN

GRADE

10

NAME & SURNAME

TASK

7.6

PAGE

2.6