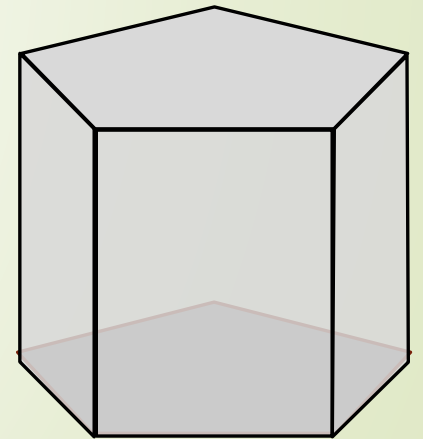
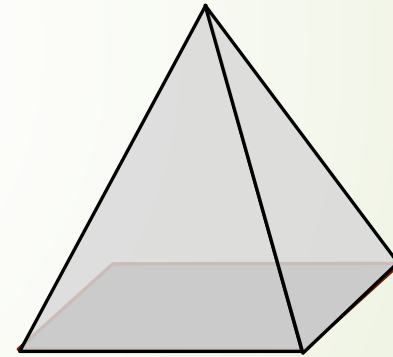
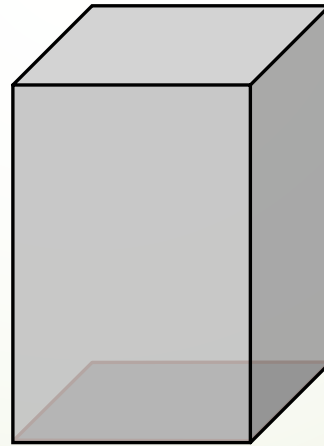
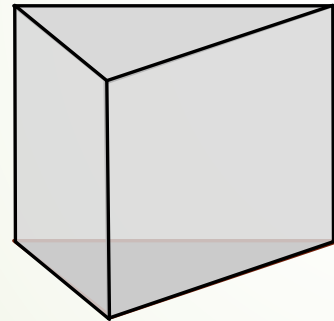
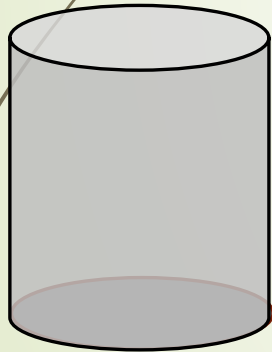




Application on polygons

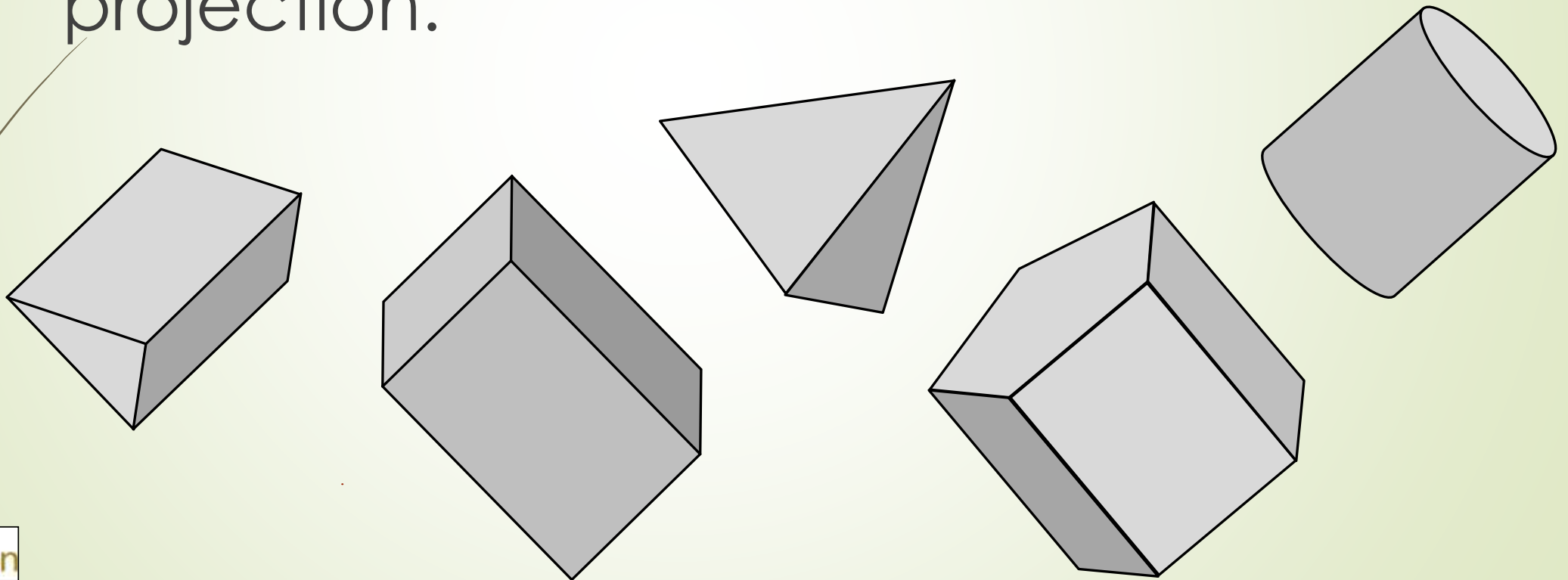
SOLID GEOMETRY

- Projecting right regular pyramids, prisms, cones and cylinders from polygons.

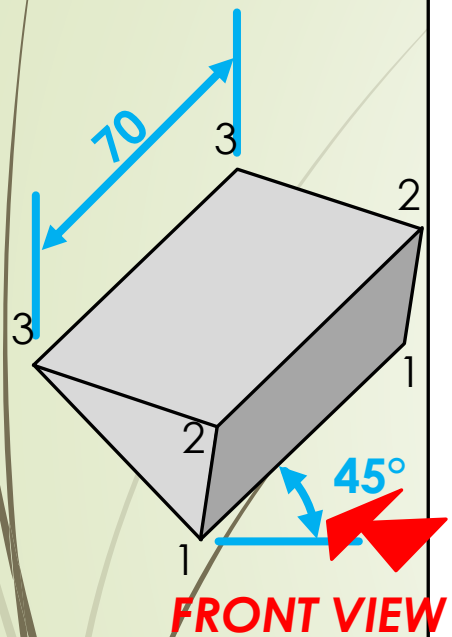


Application on pyramids, prisms, cones and cylinders

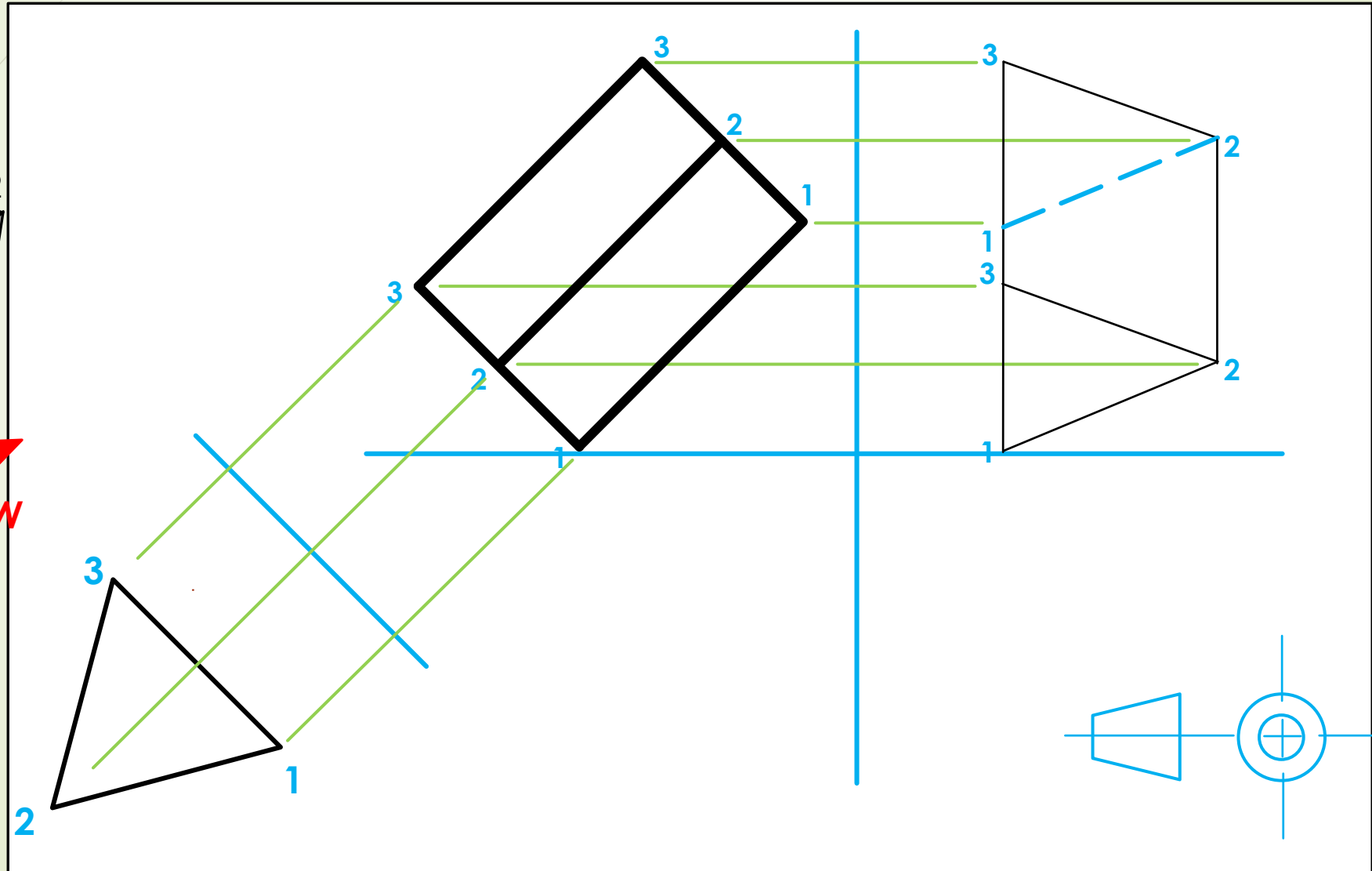
- ➔ Draw inclined pyramids, prisms, cones and cylinders in first angle orthographic projection.



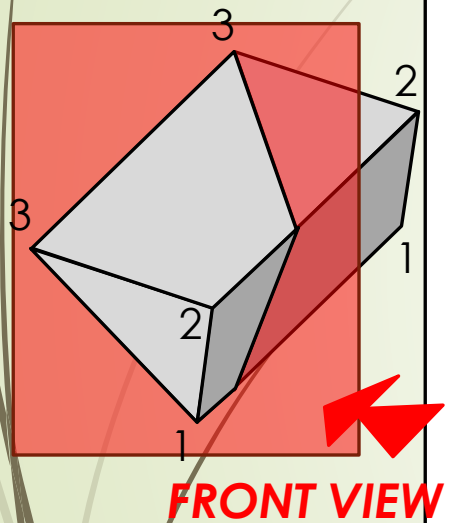
Application on pyramids, prisms, cones and cylinders



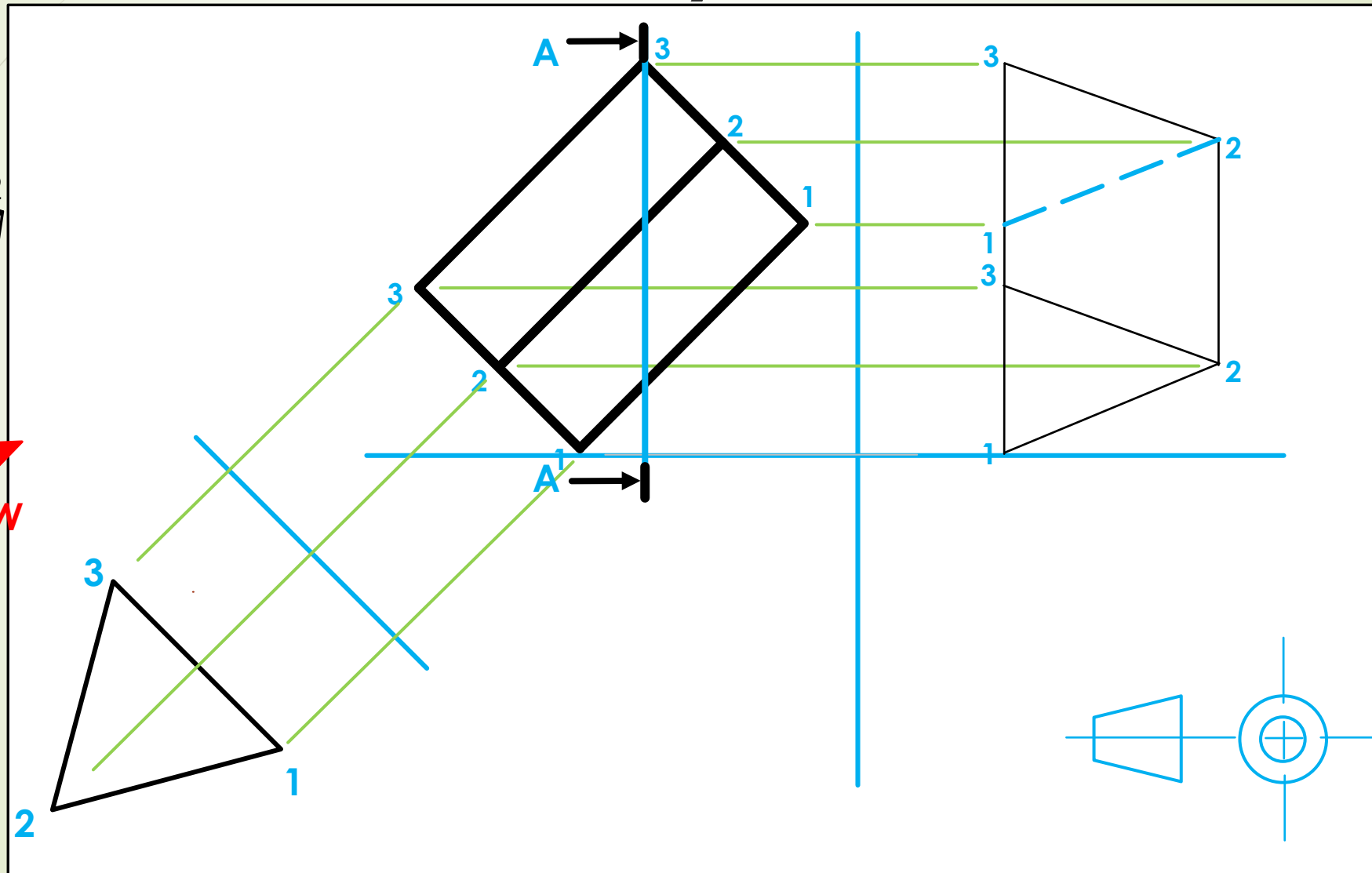
FRONT VIEW



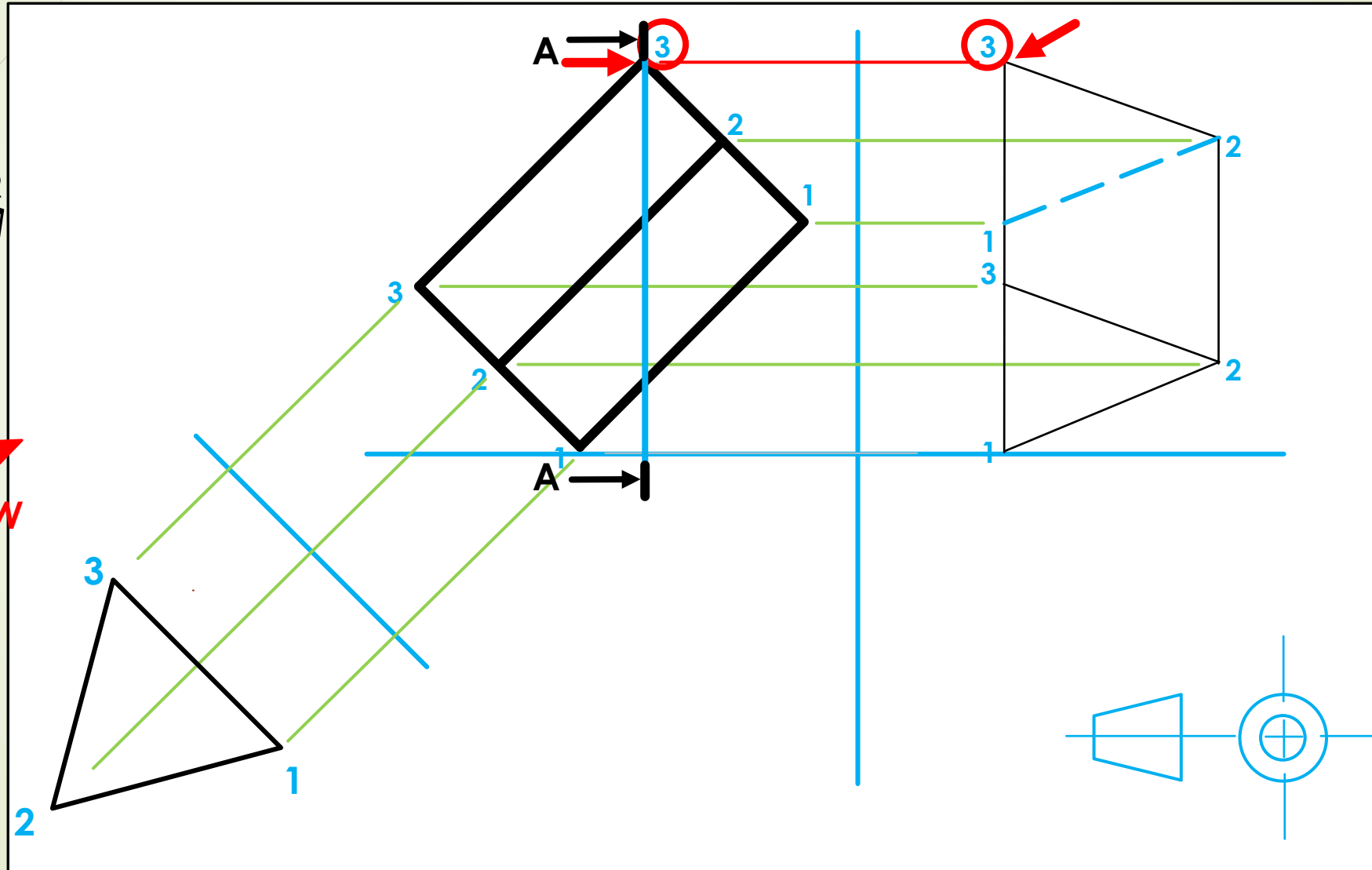
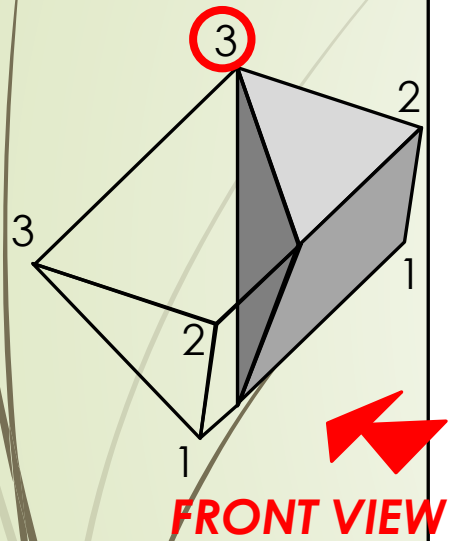
Application on pyramids, prisms, cones and cylinders



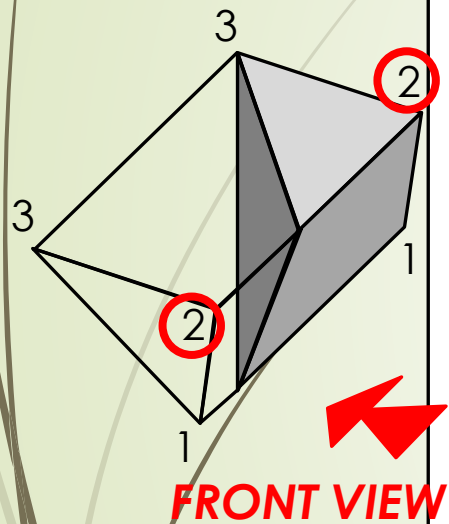
FRONT VIEW



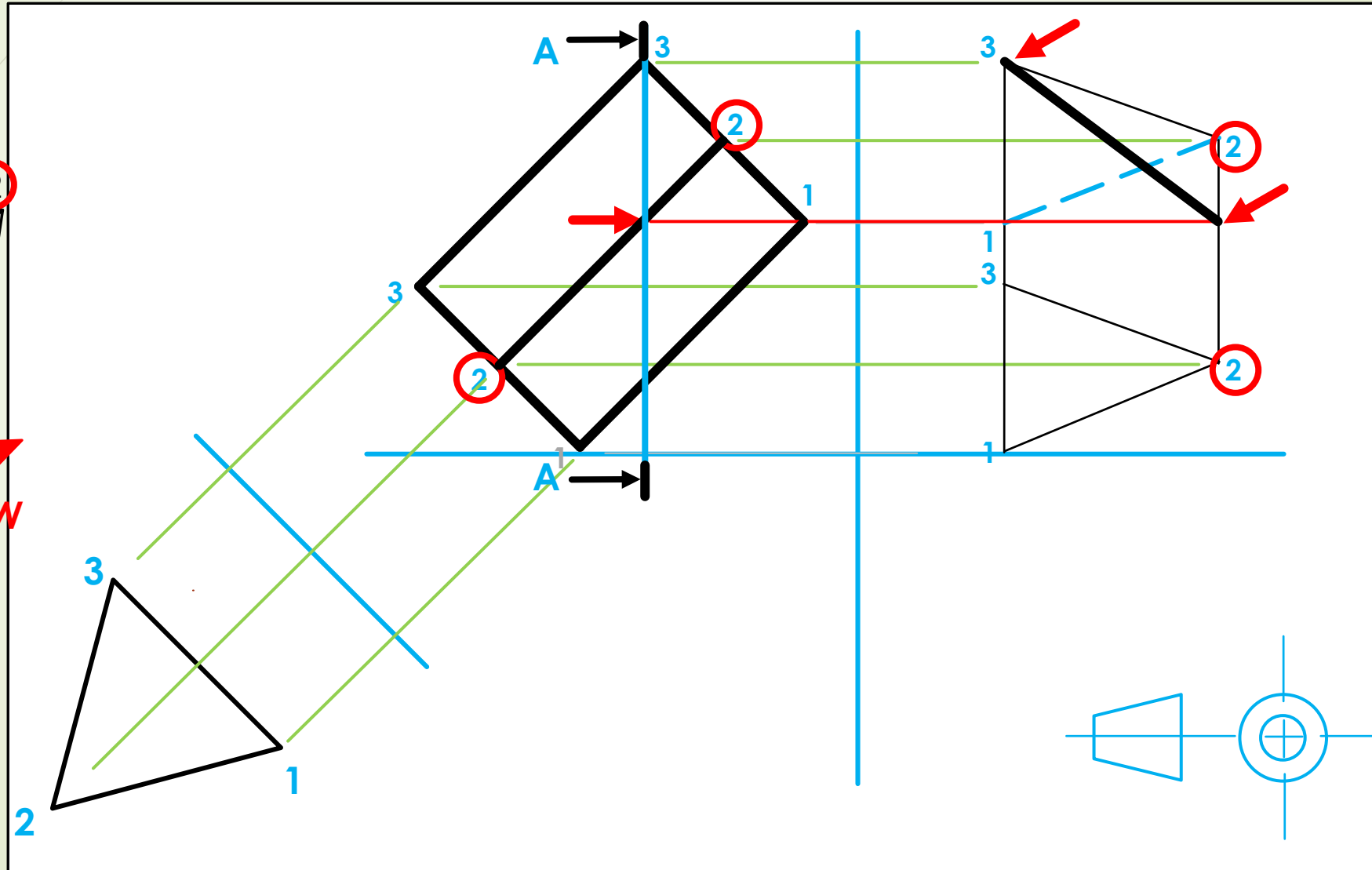
Application on pyramids, prisms, cones and cylinders



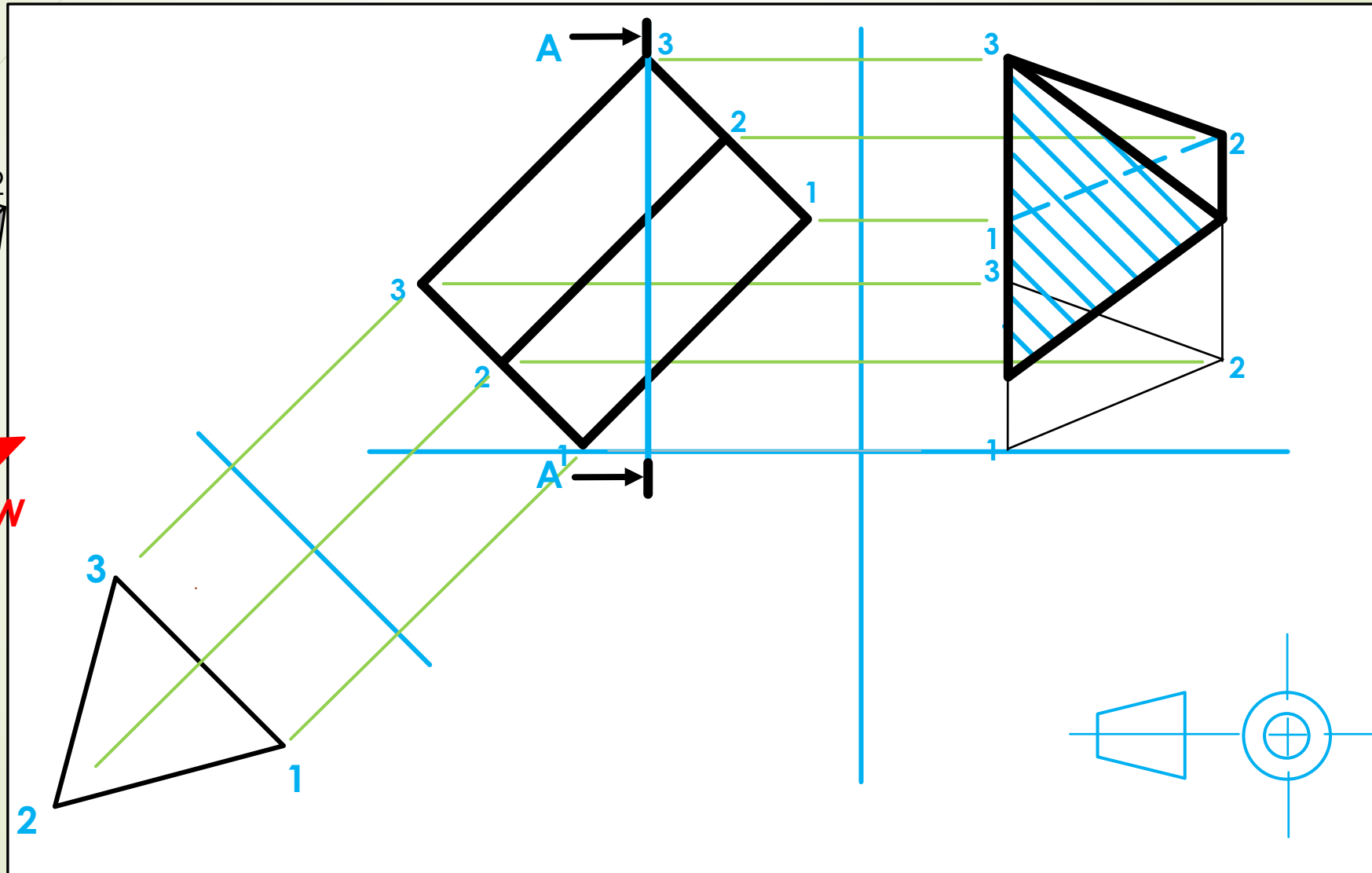
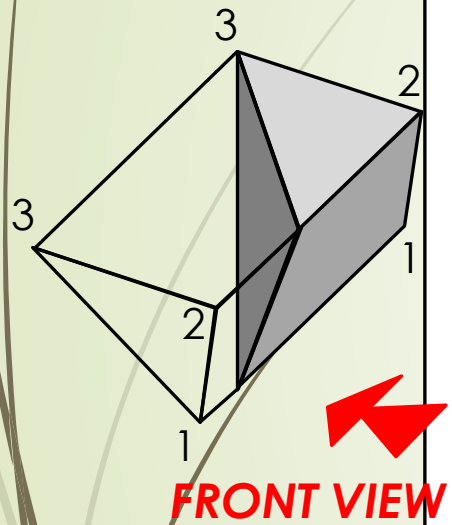
Application on pyramids, prisms, cones and cylinders



FRONT VIEW



Application on pyramids, prisms, cones and cylinders



Application on pyramids, prisms, cones and cylinders

