



# Application on polygons

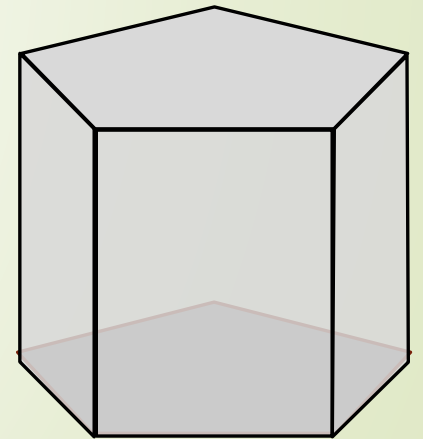
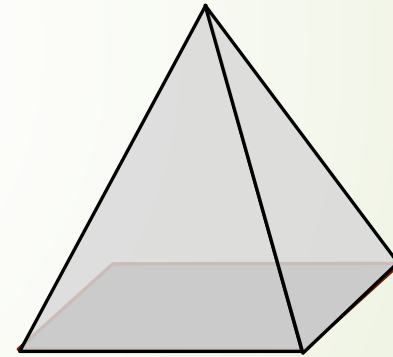
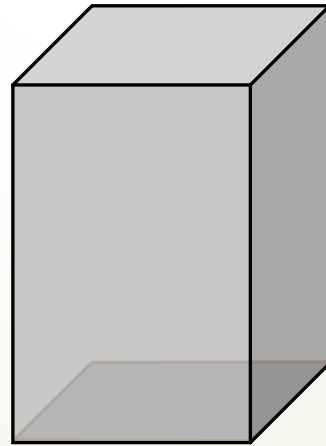
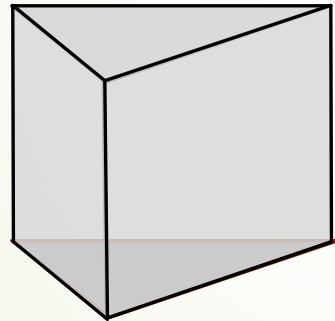
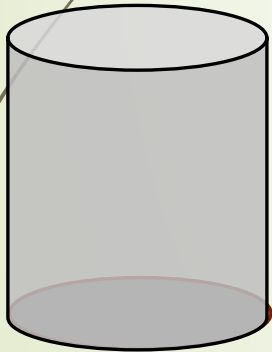
## Inclined Sectioning

Grade 10, 11 & 12

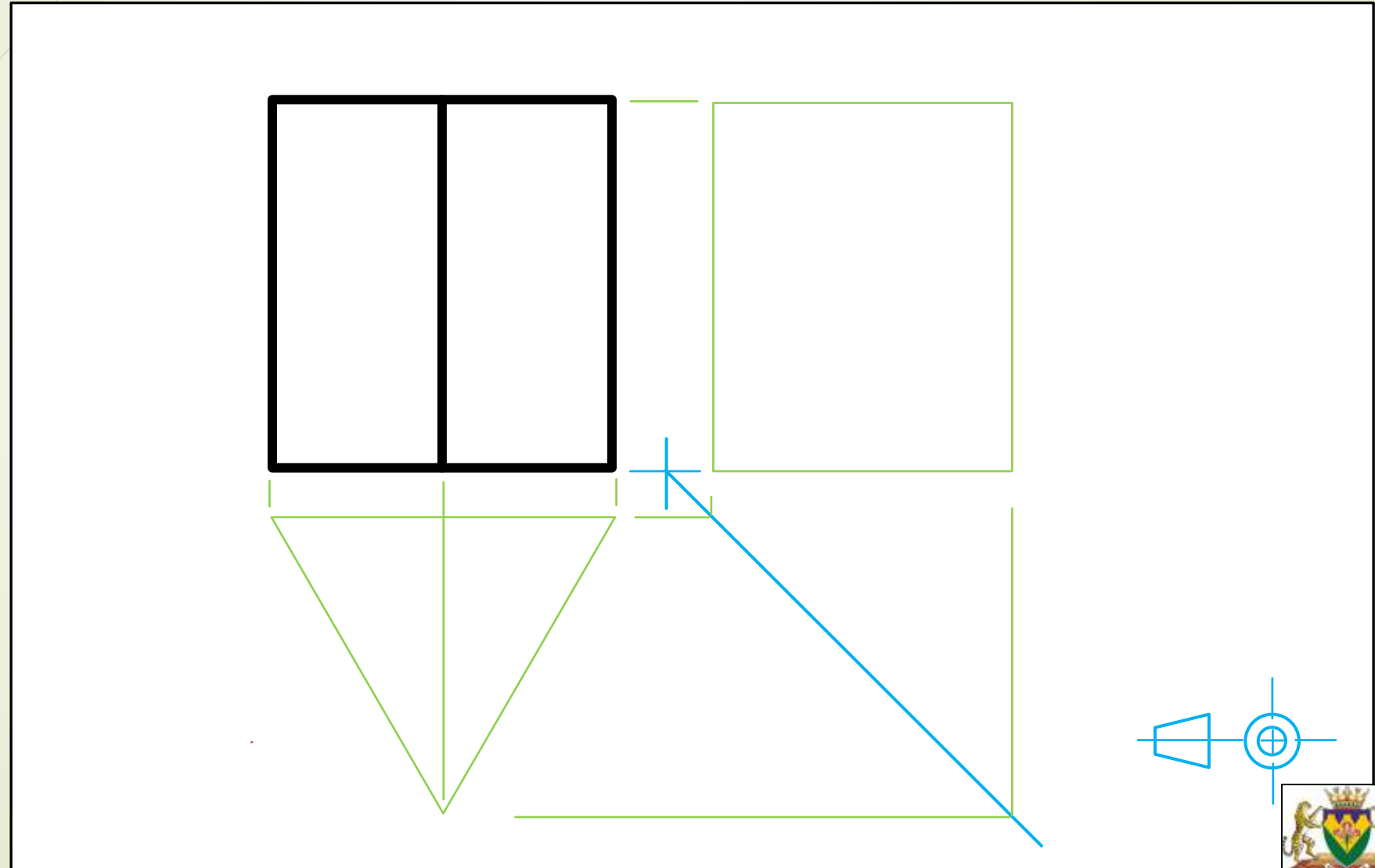
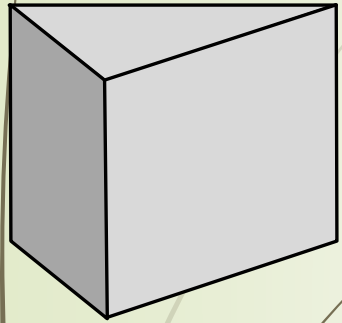
Developed by: PC Viljoen  
Senior Educational Specialist for  
Engineering Graphics and Design  
Free State Province

# SOLID GEOMETRY

- Projecting right regular pyramids, prisms, cones and cylinders from polygons.



# Sectioning through a right solid

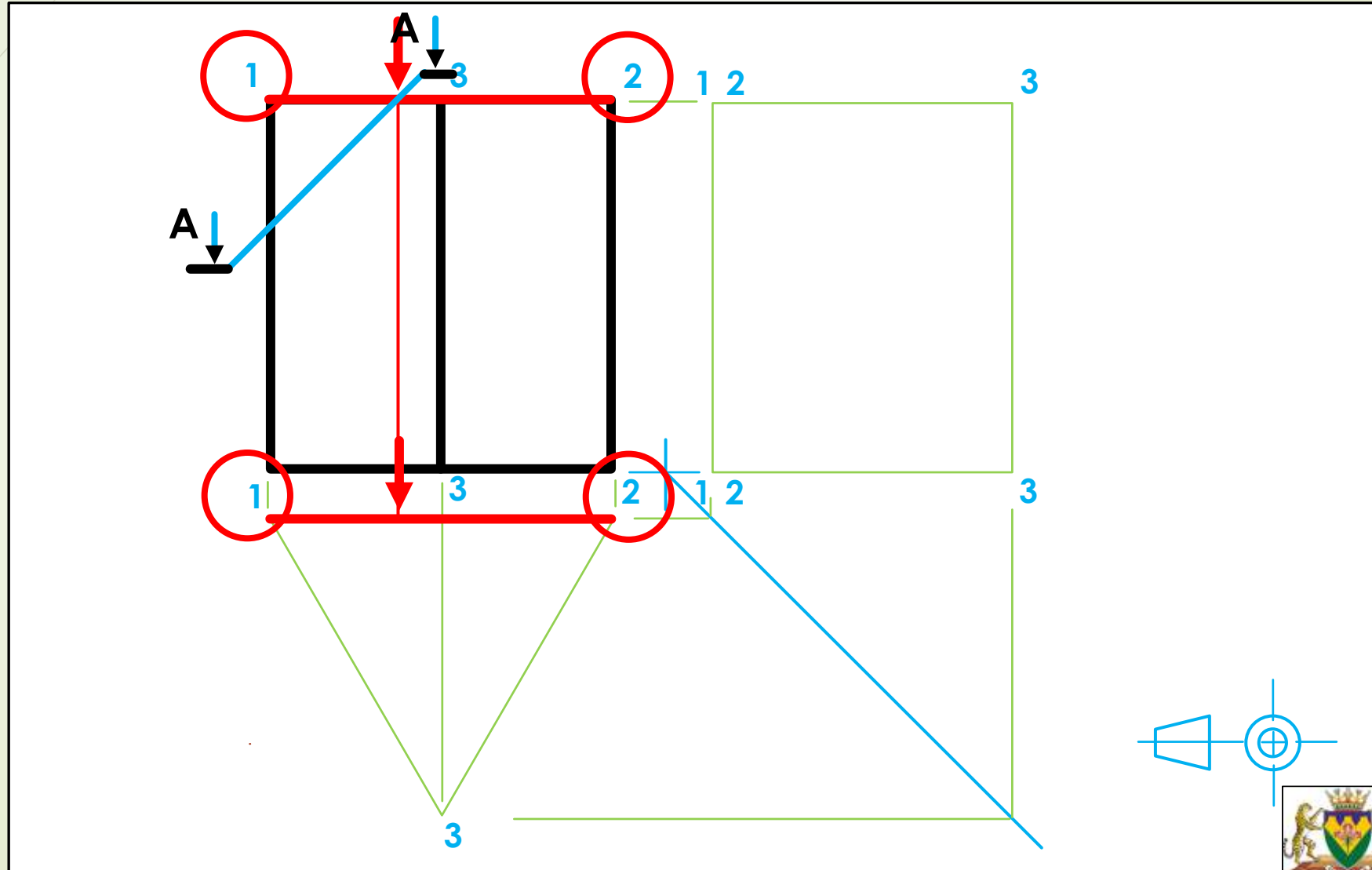
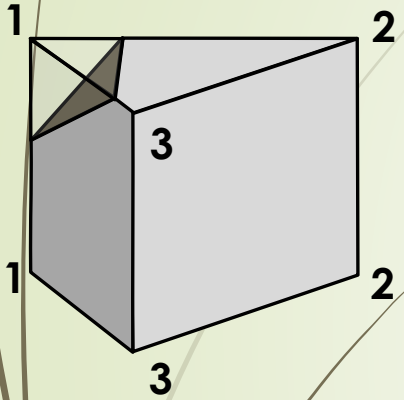






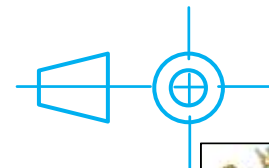
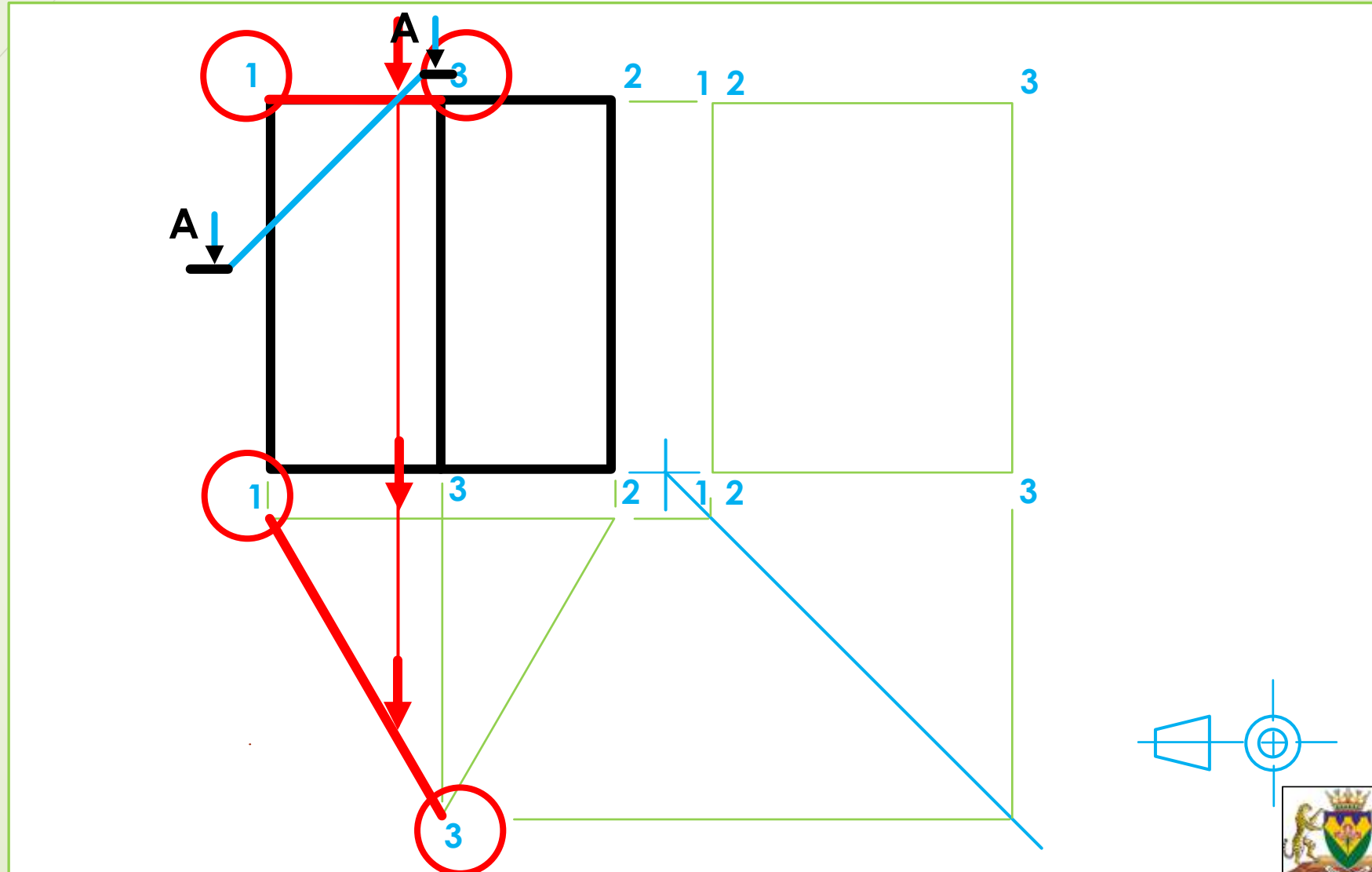
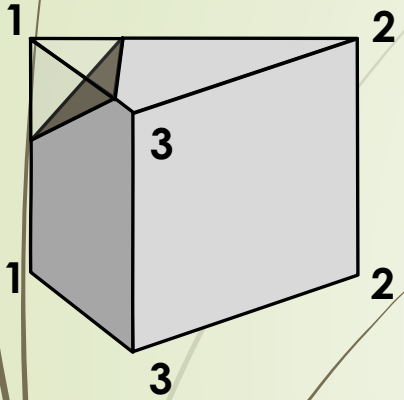


# Sectioning through a right solid

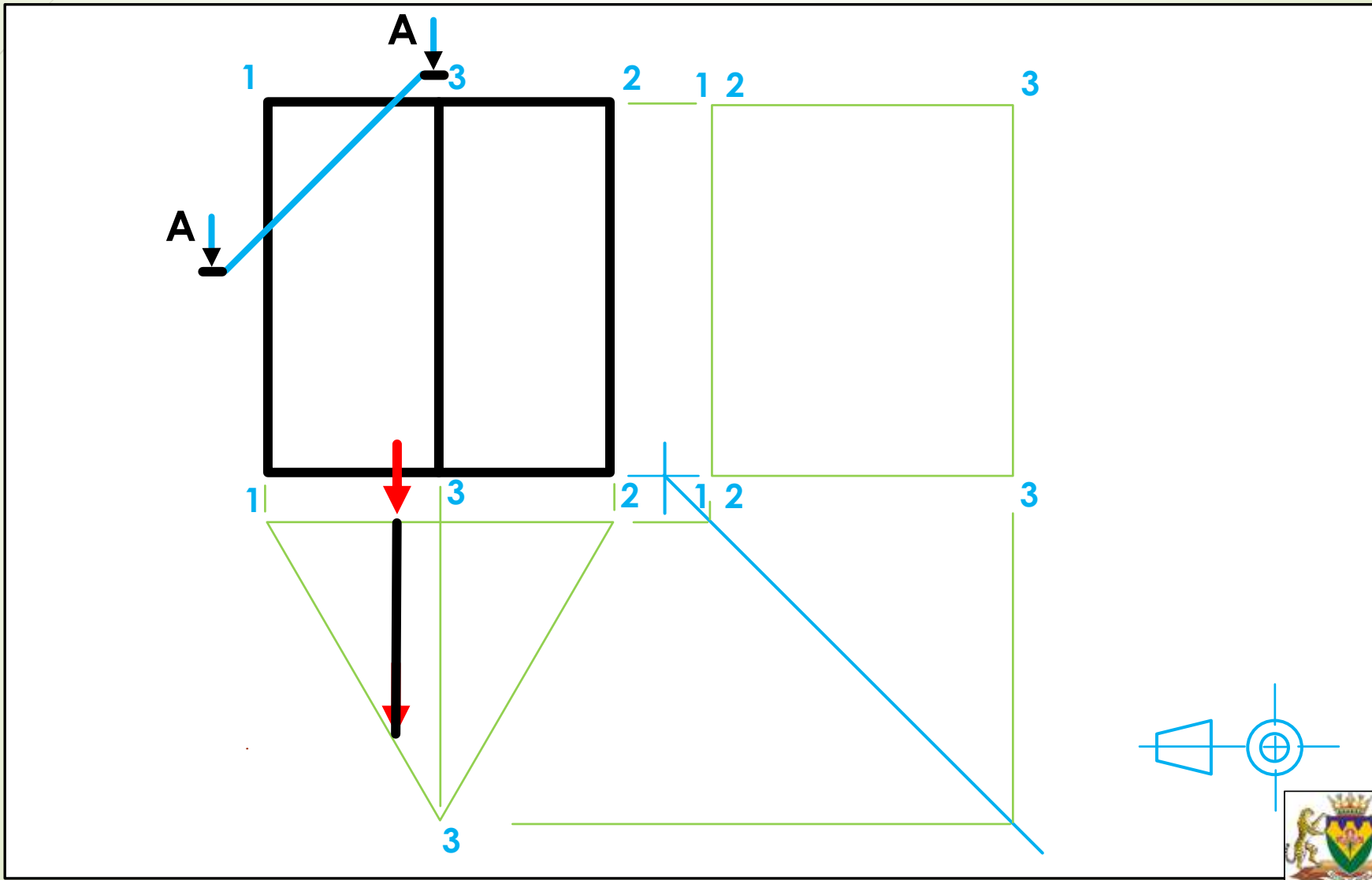
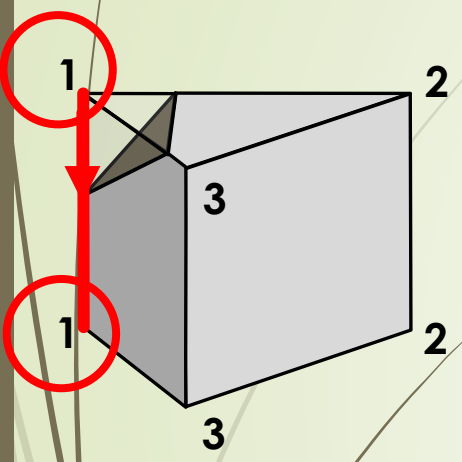




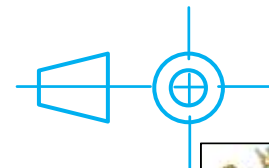
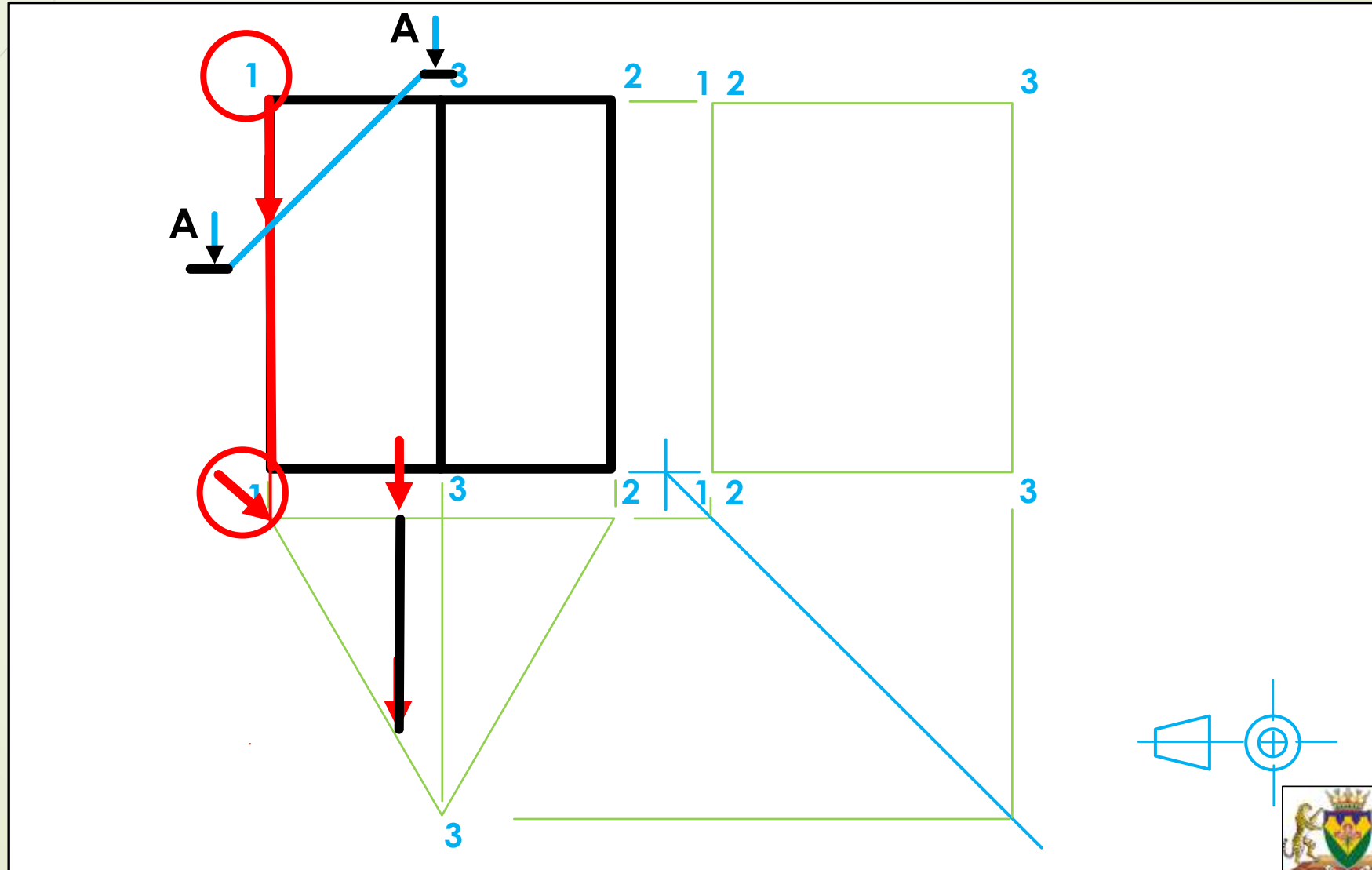
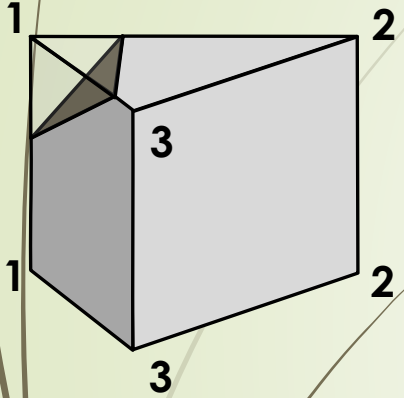
# Sectioning through a right solid



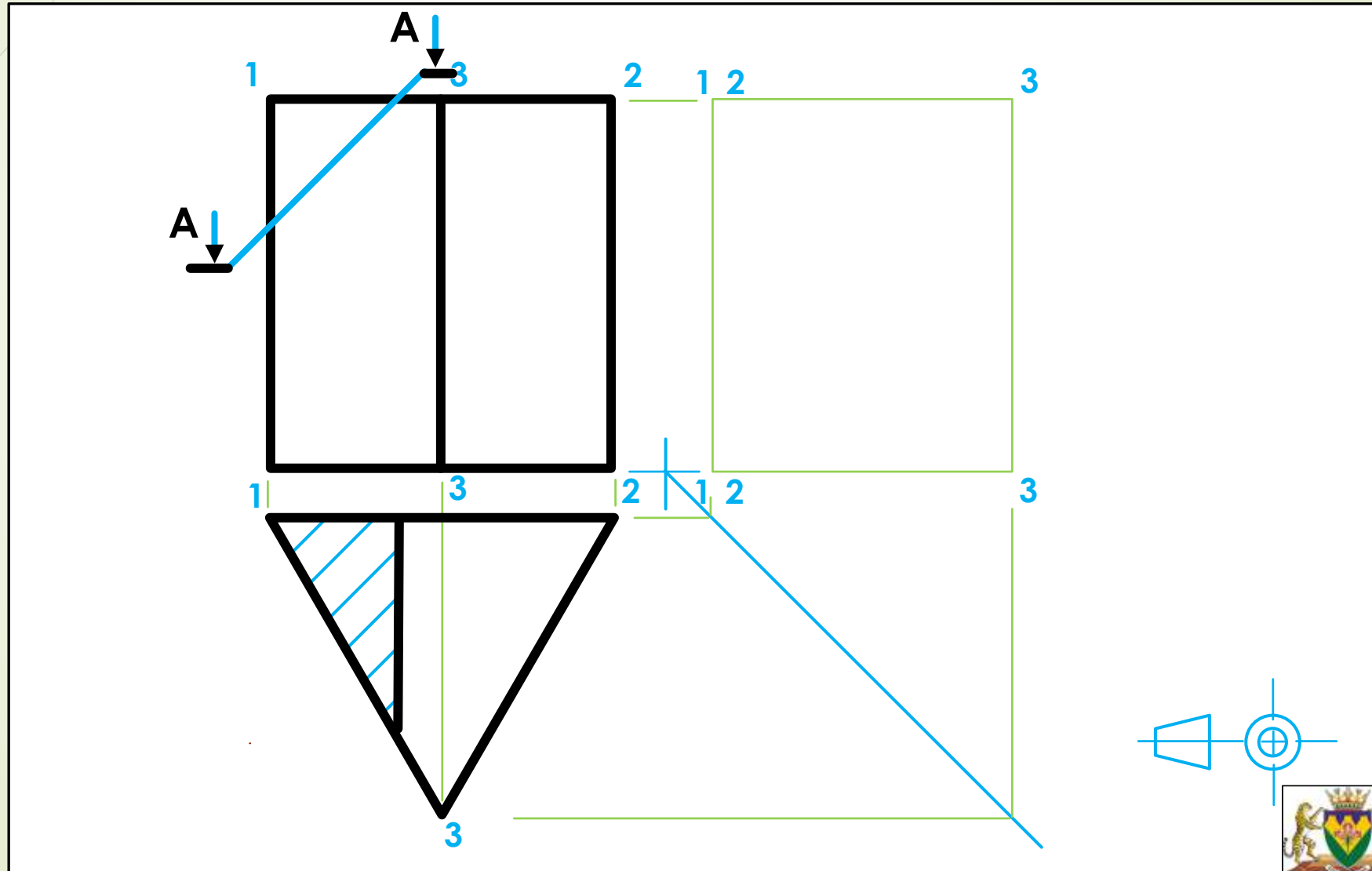
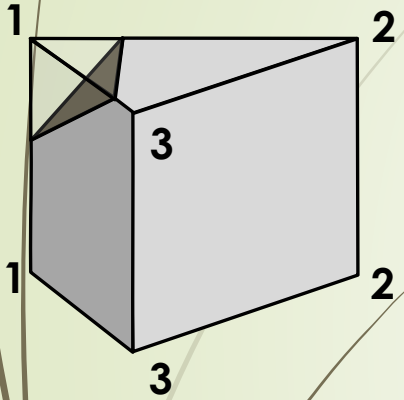
# Sectioning through a right solid



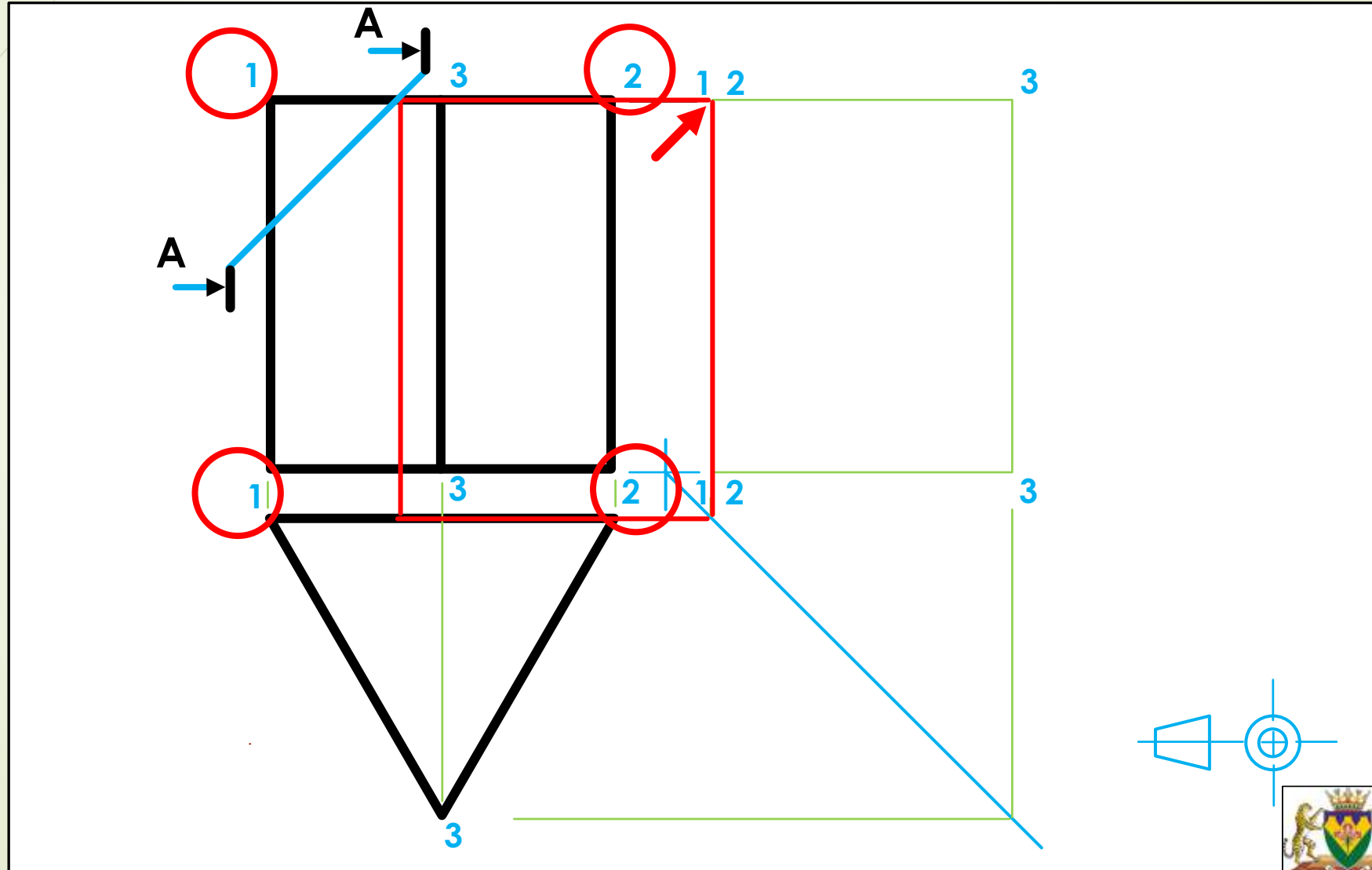
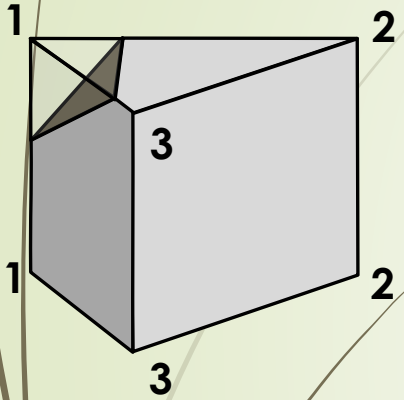
# Sectioning through a right solid



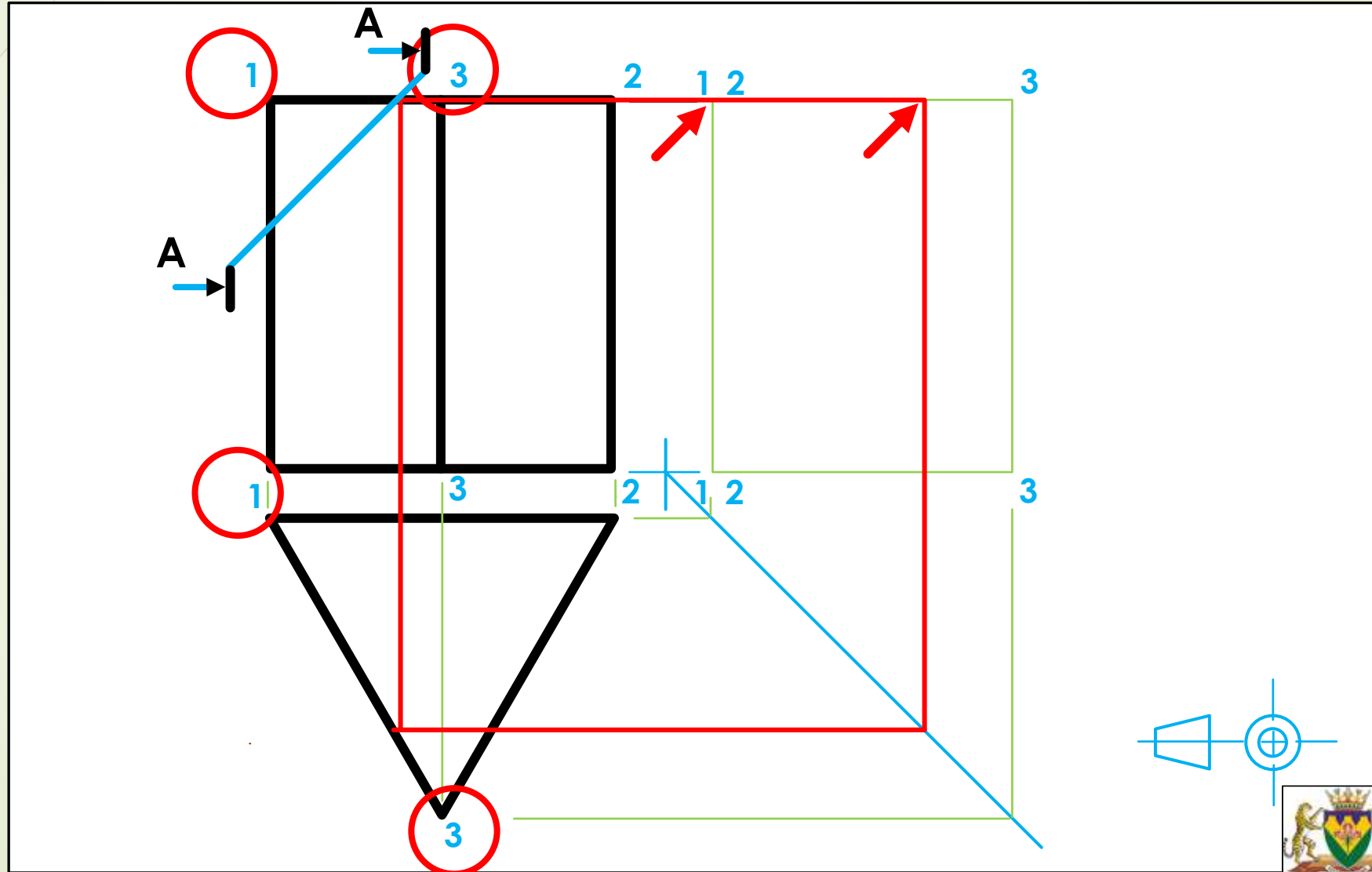
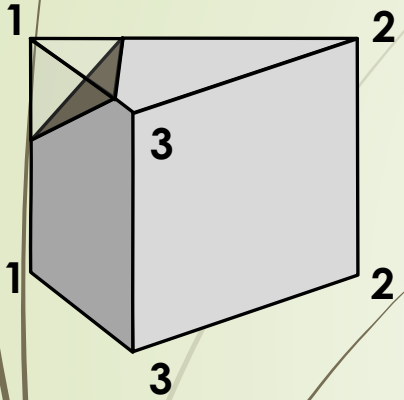
# Sectioning through a right solid



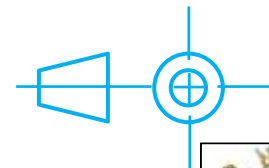
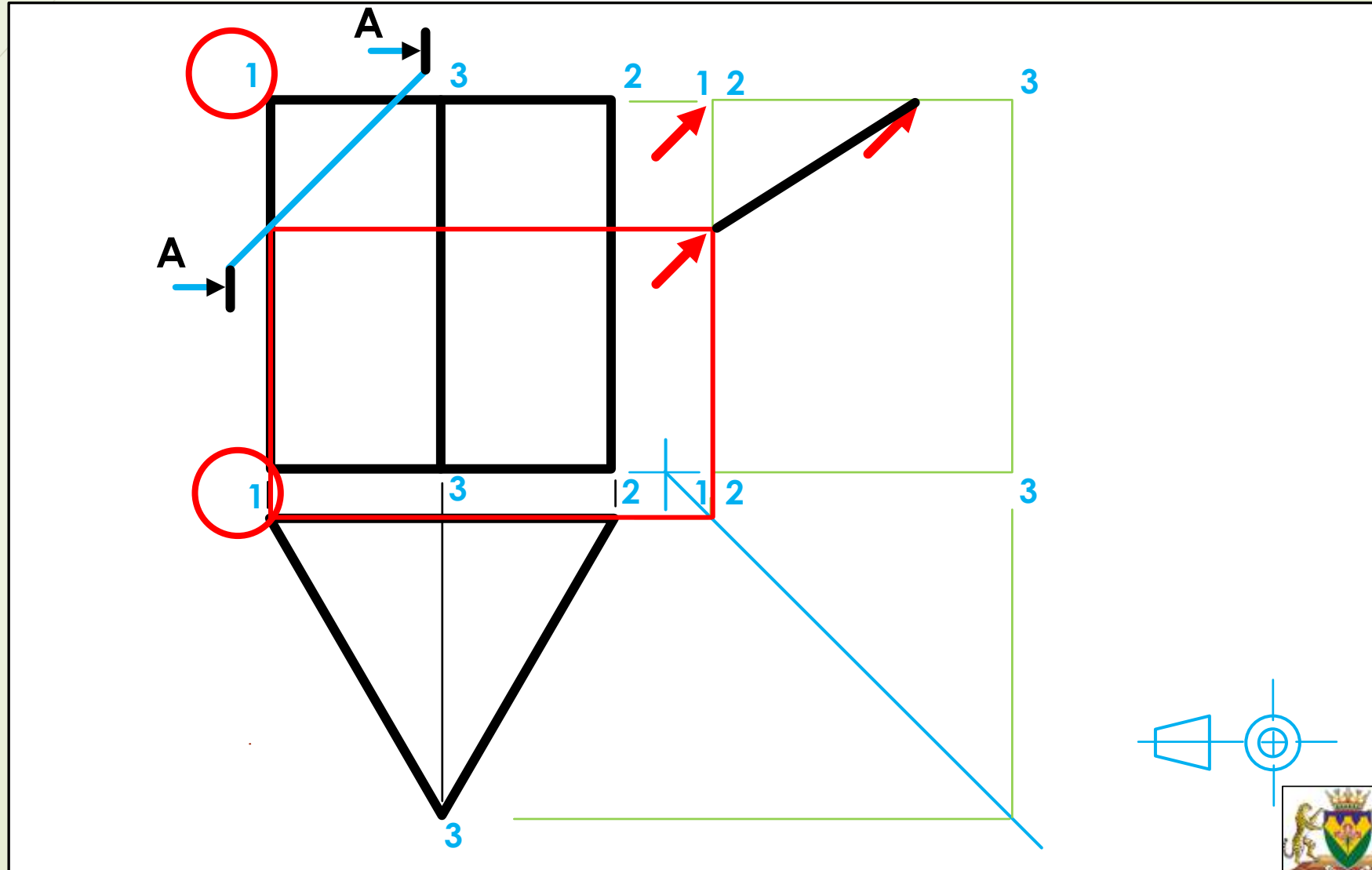
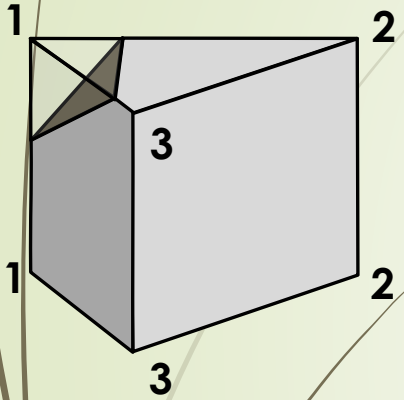
# Sectioning through a right solid



# Sectioning through a right solid

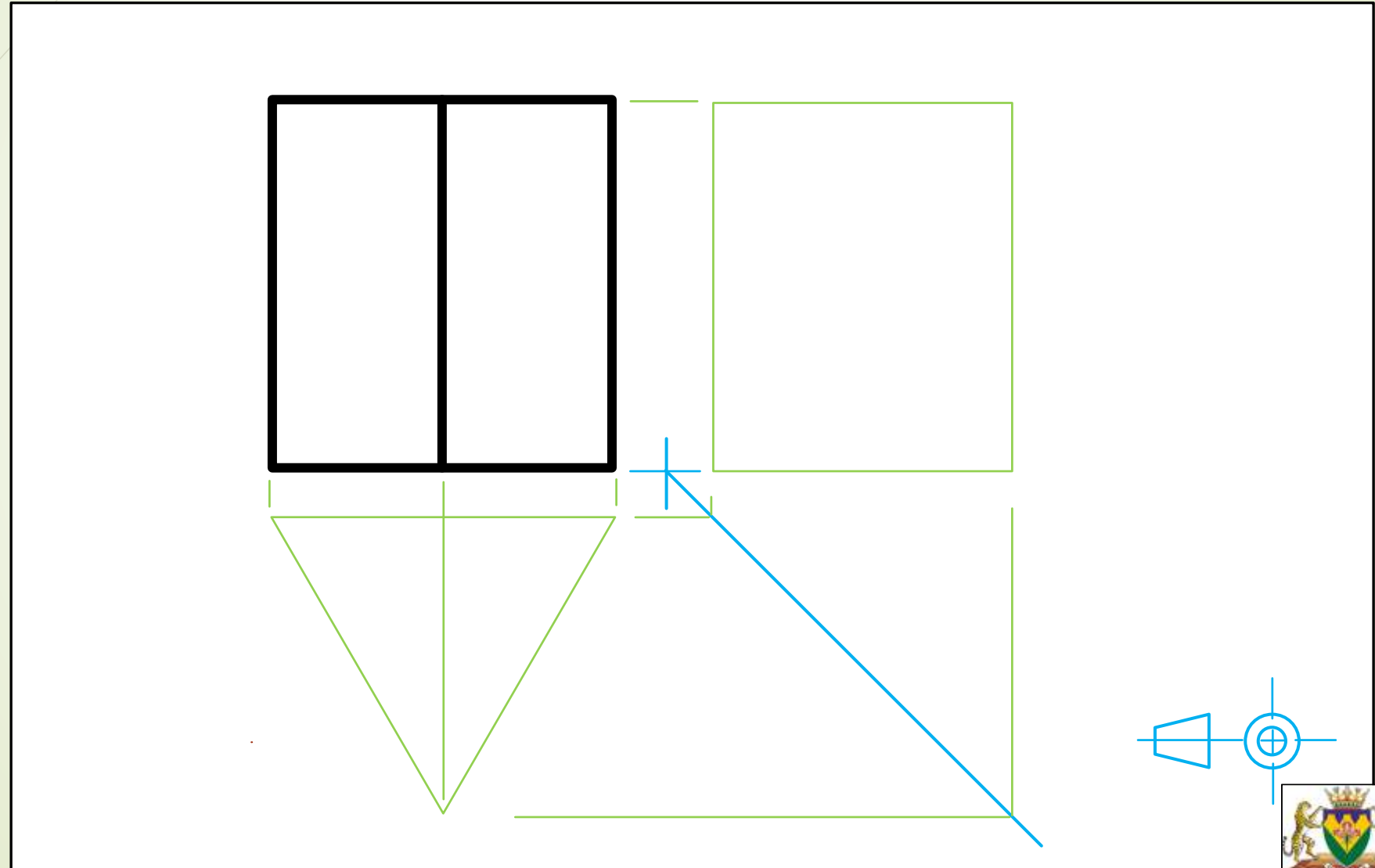
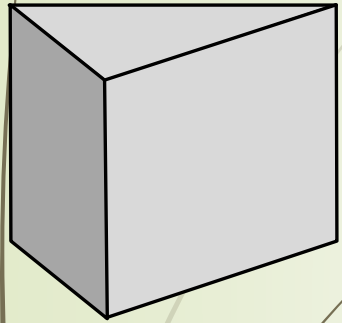


# Sectioning through a right solid

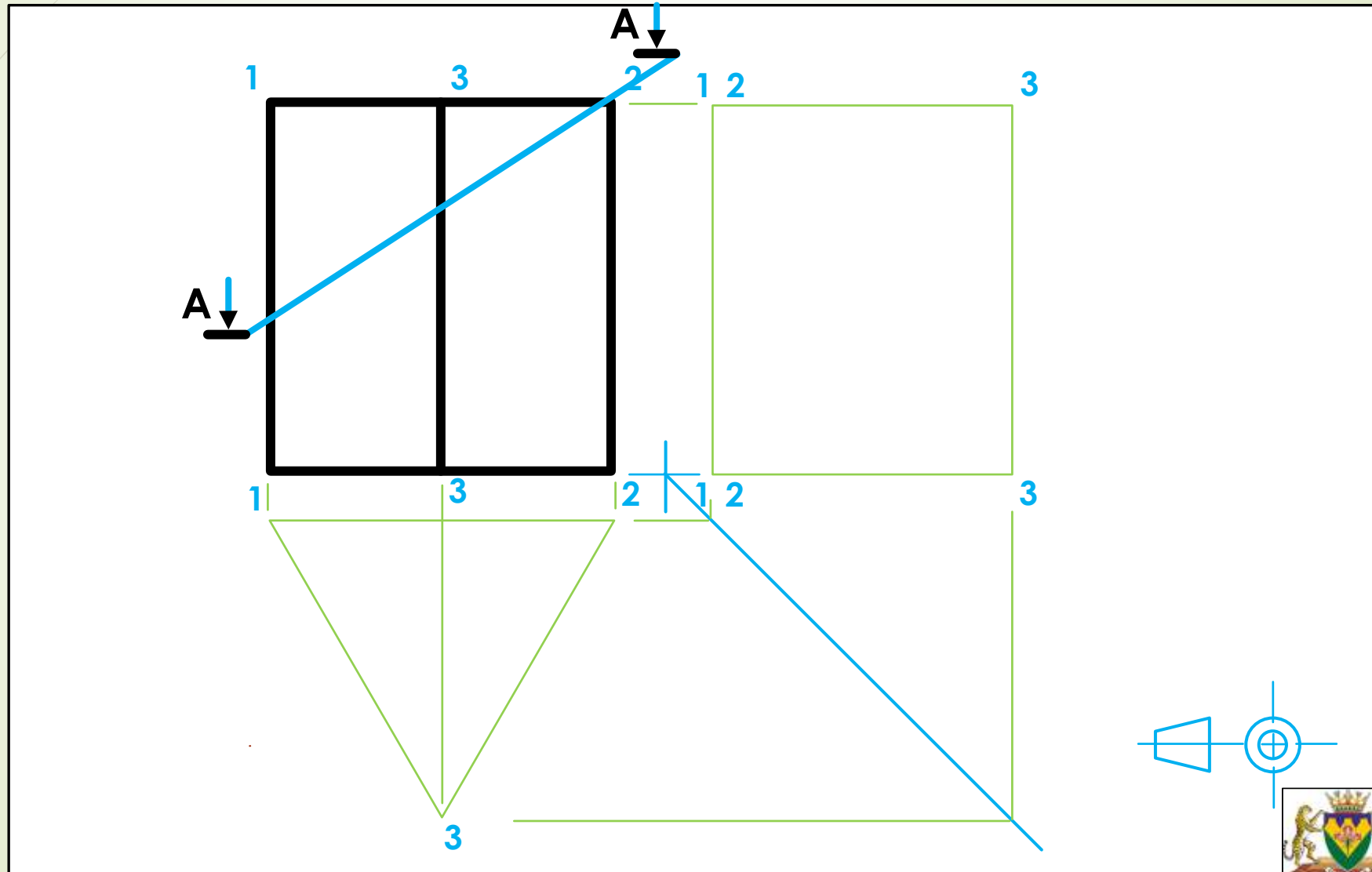
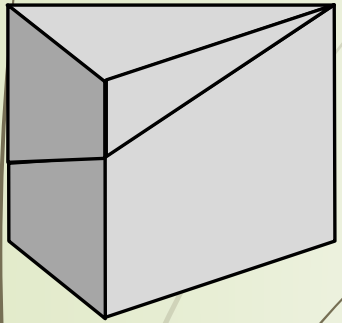




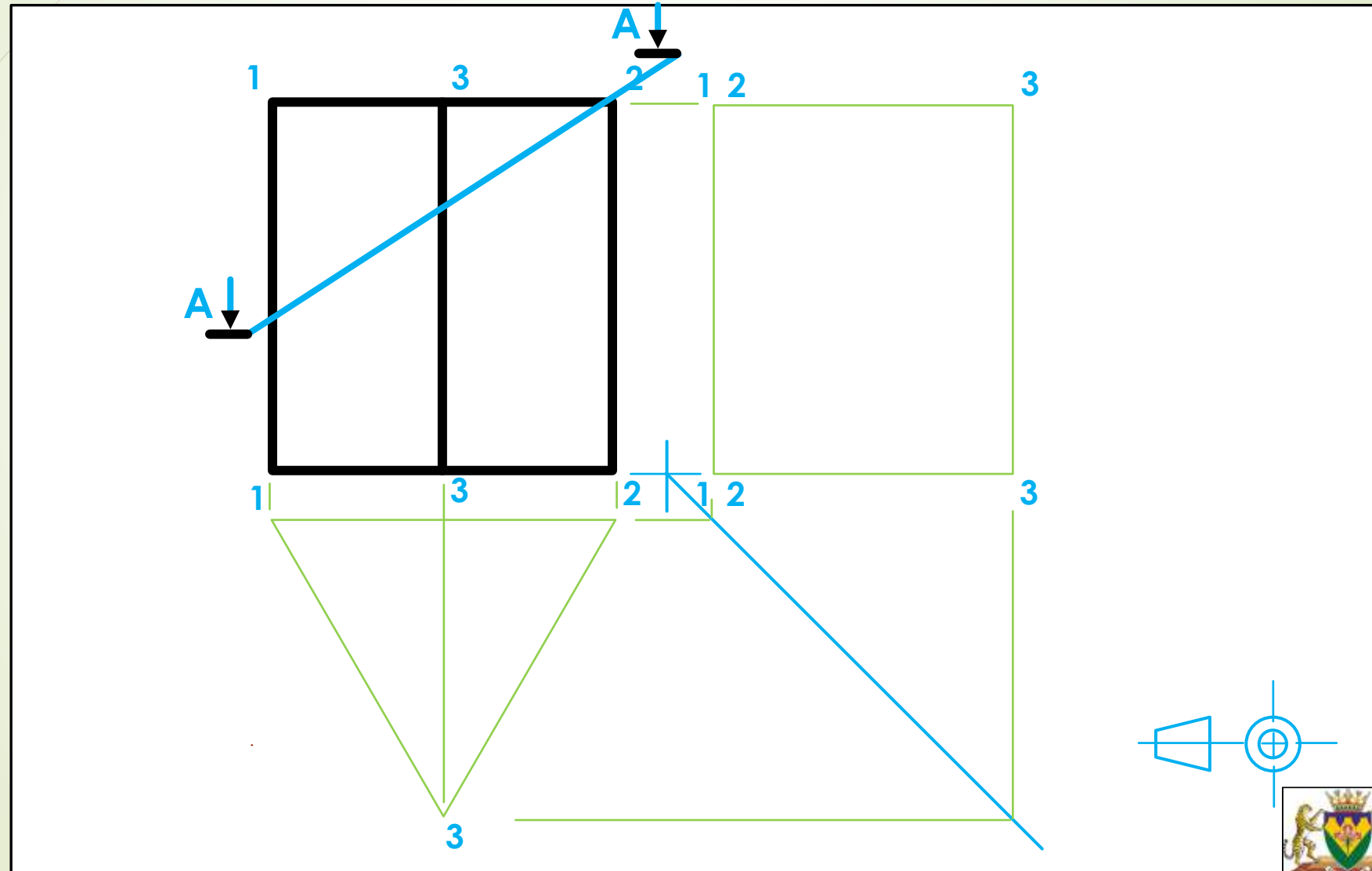
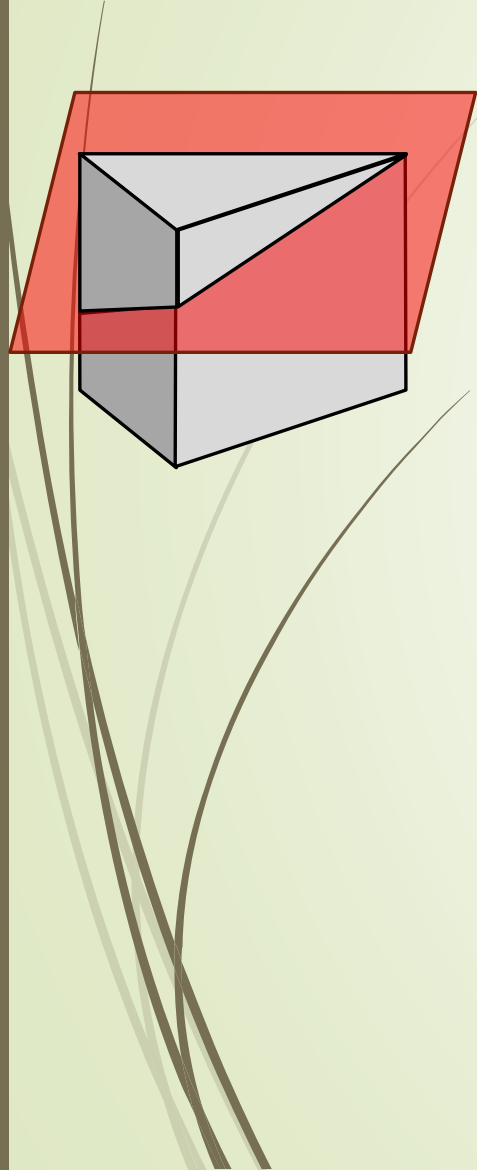
# Sectioning through a right solid



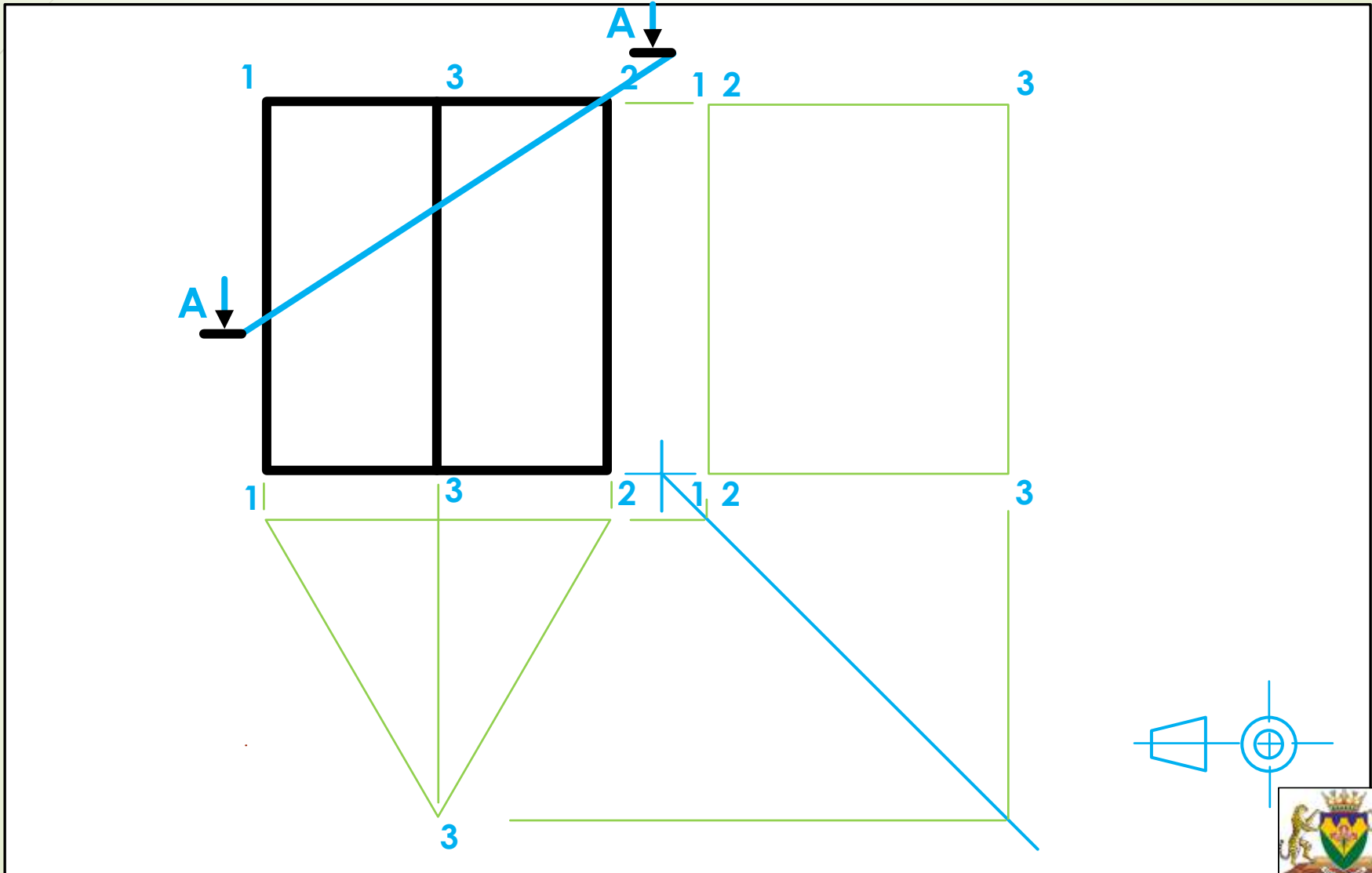
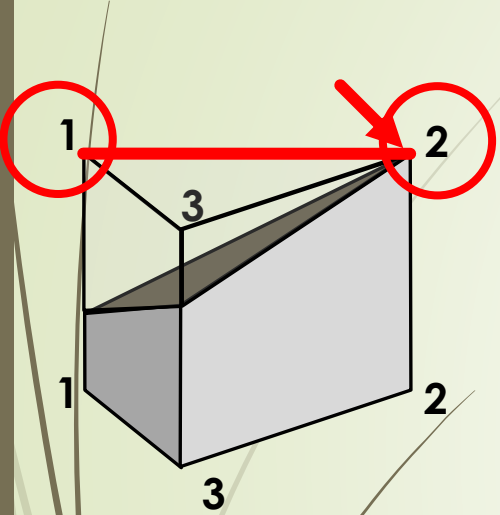
# Sectioning through a right solid



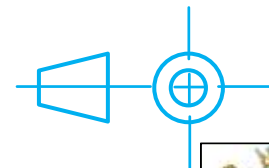
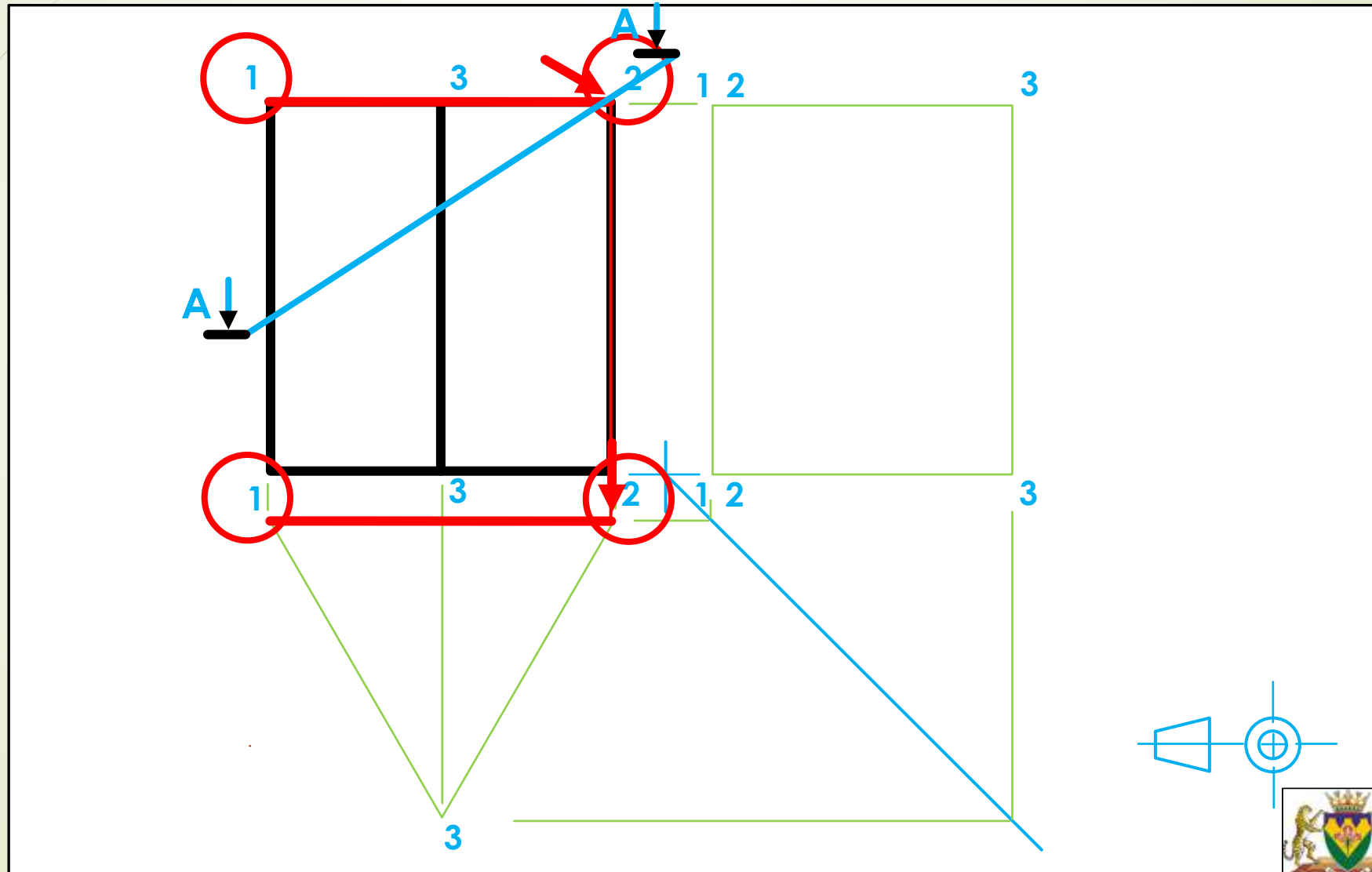
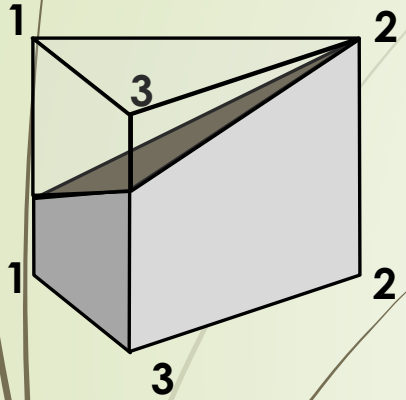
# Sectioning through a right solid



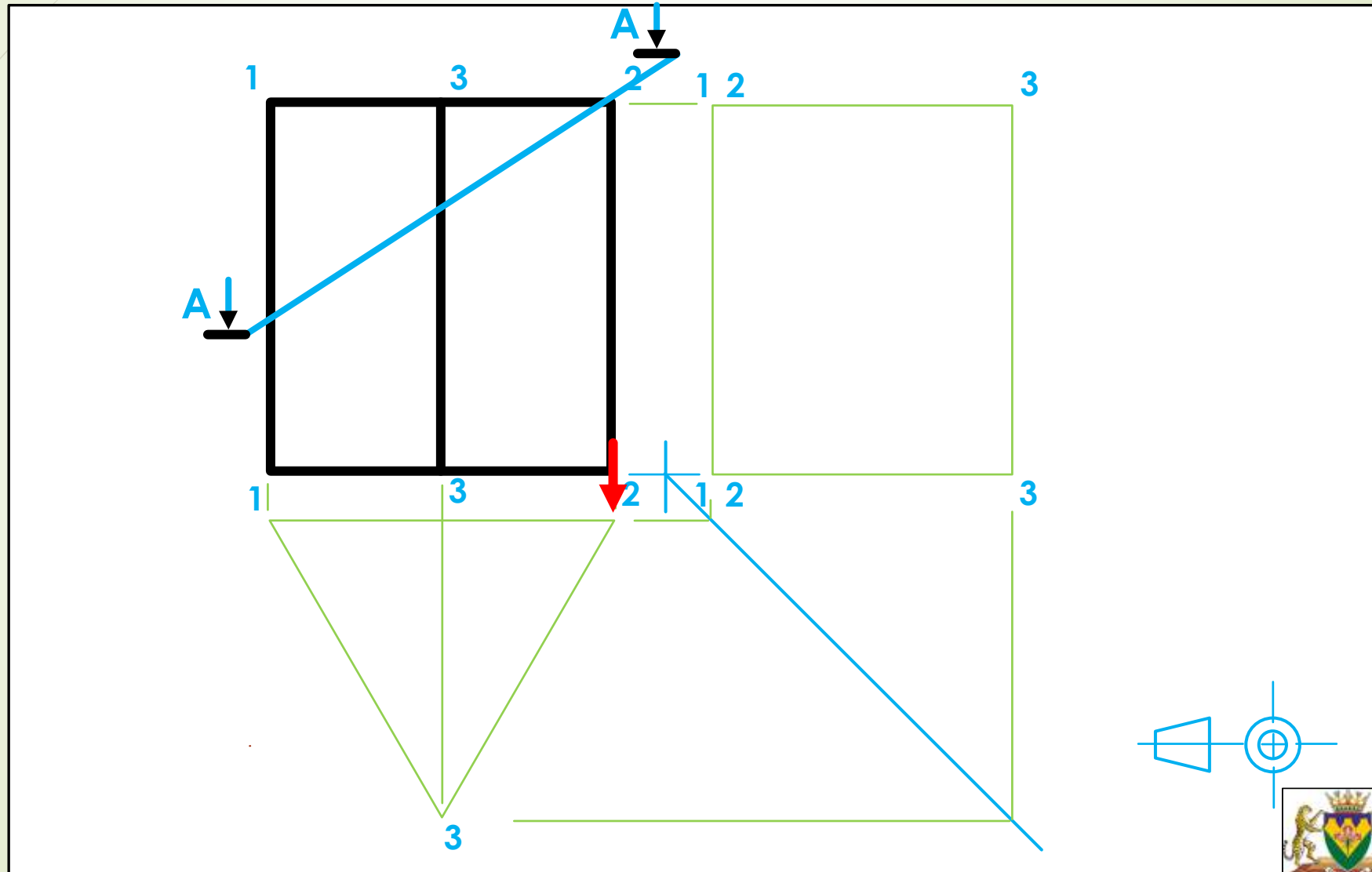
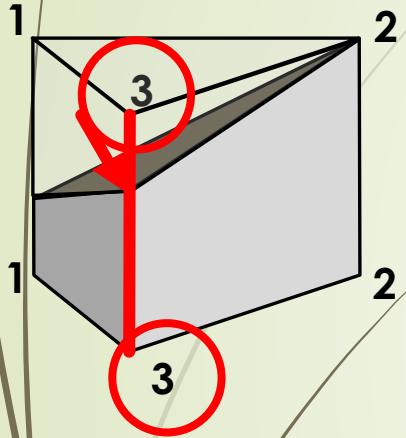
# Sectioning through a right solid



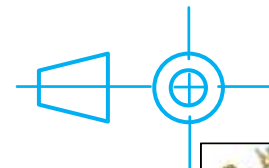
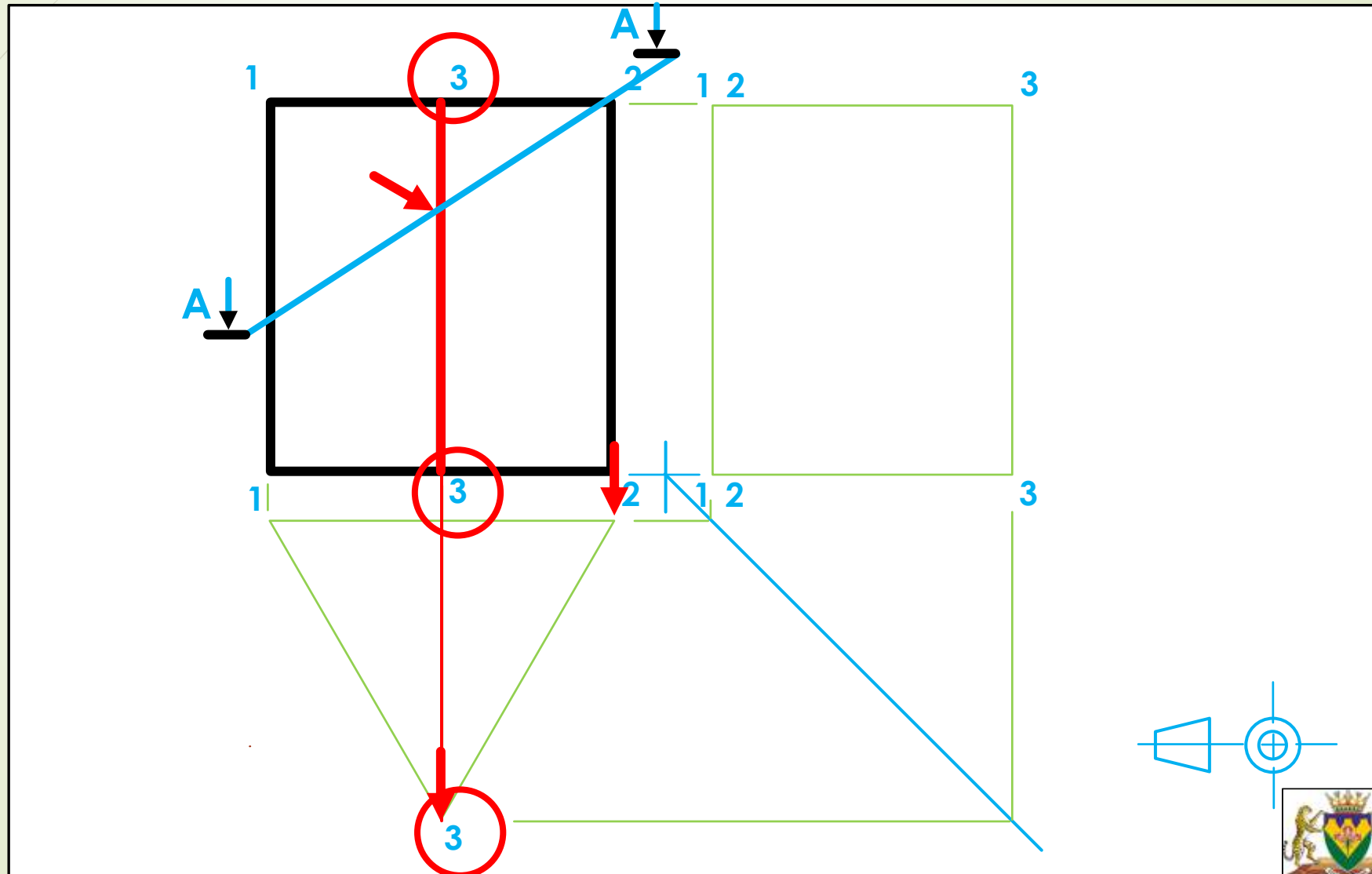
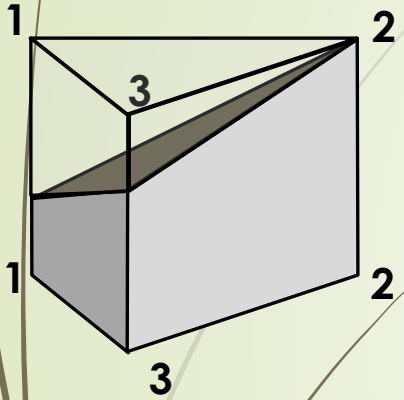
# Sectioning through a right solid



# Sectioning through a right solid

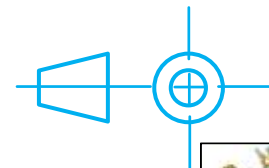
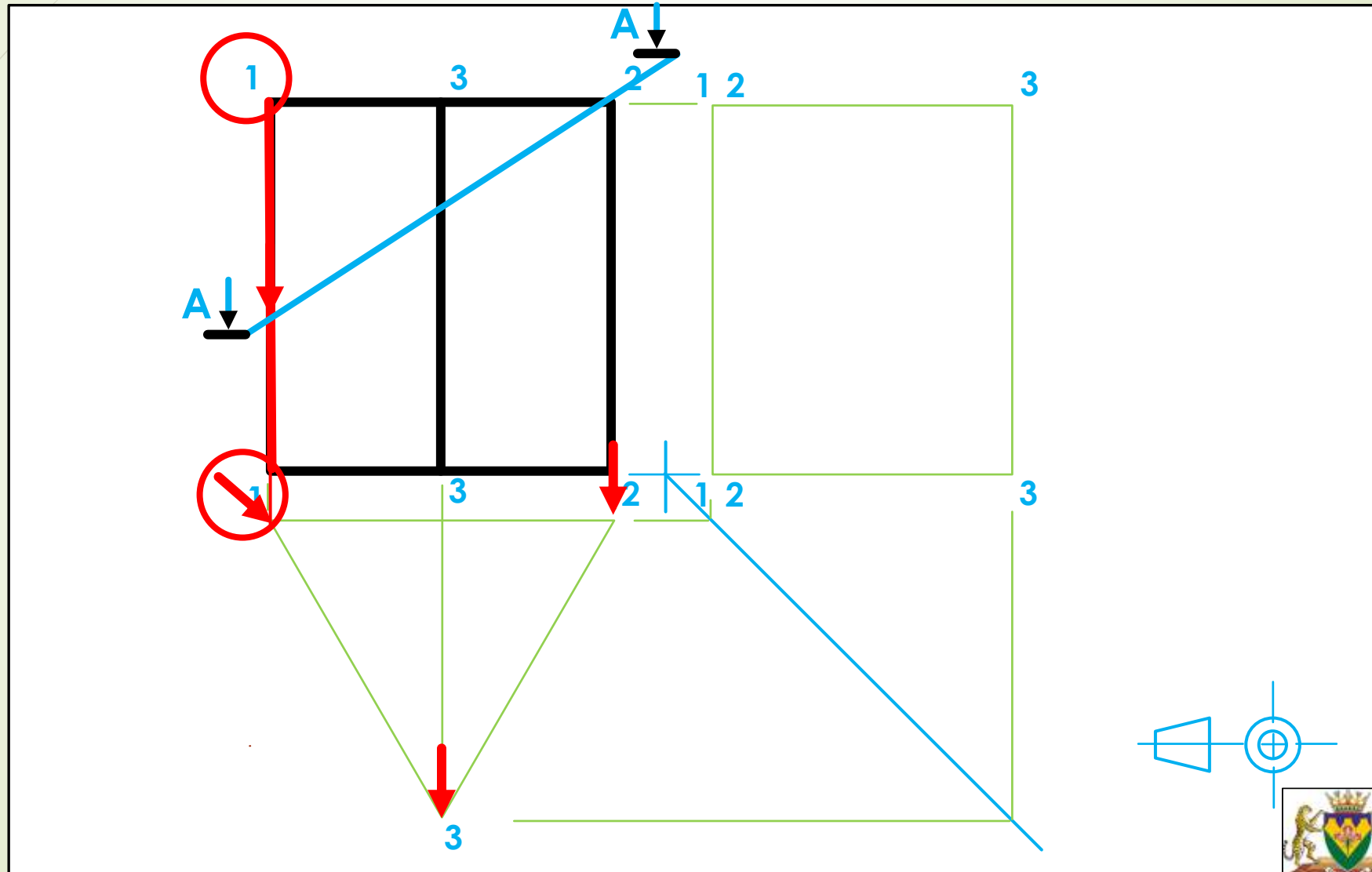
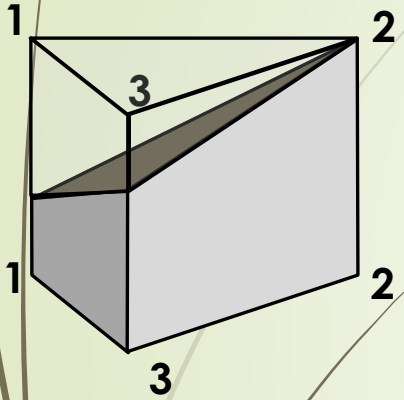


# Sectioning through a right solid



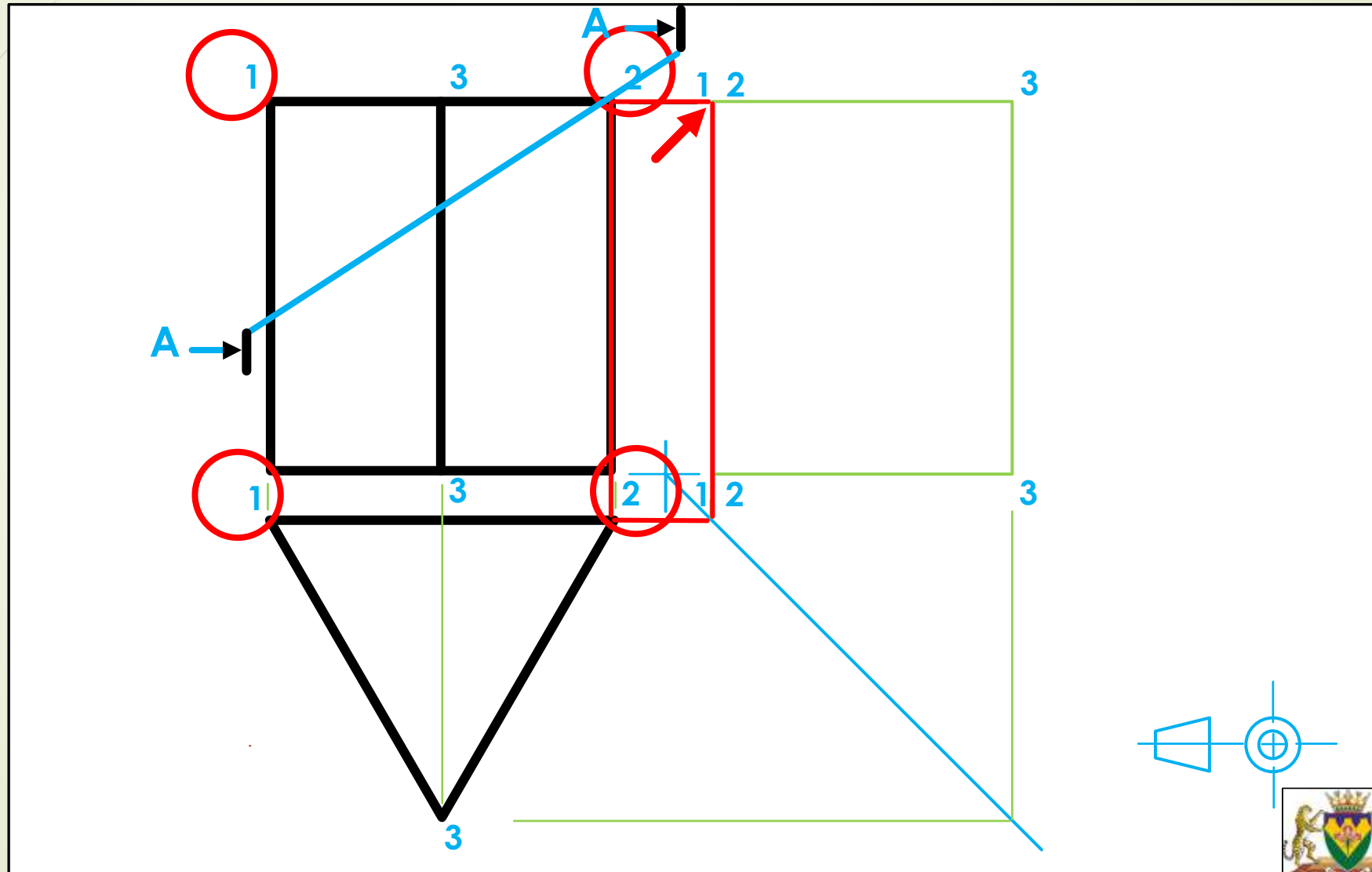
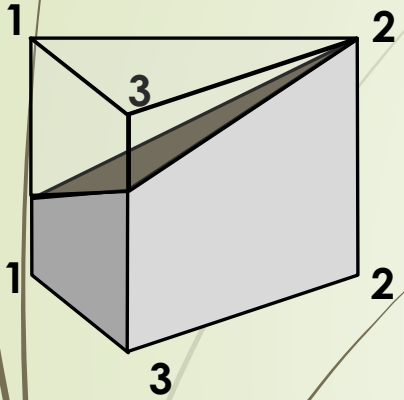


# Sectioning through a right solid

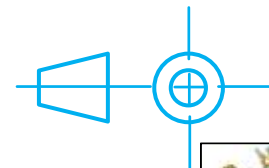
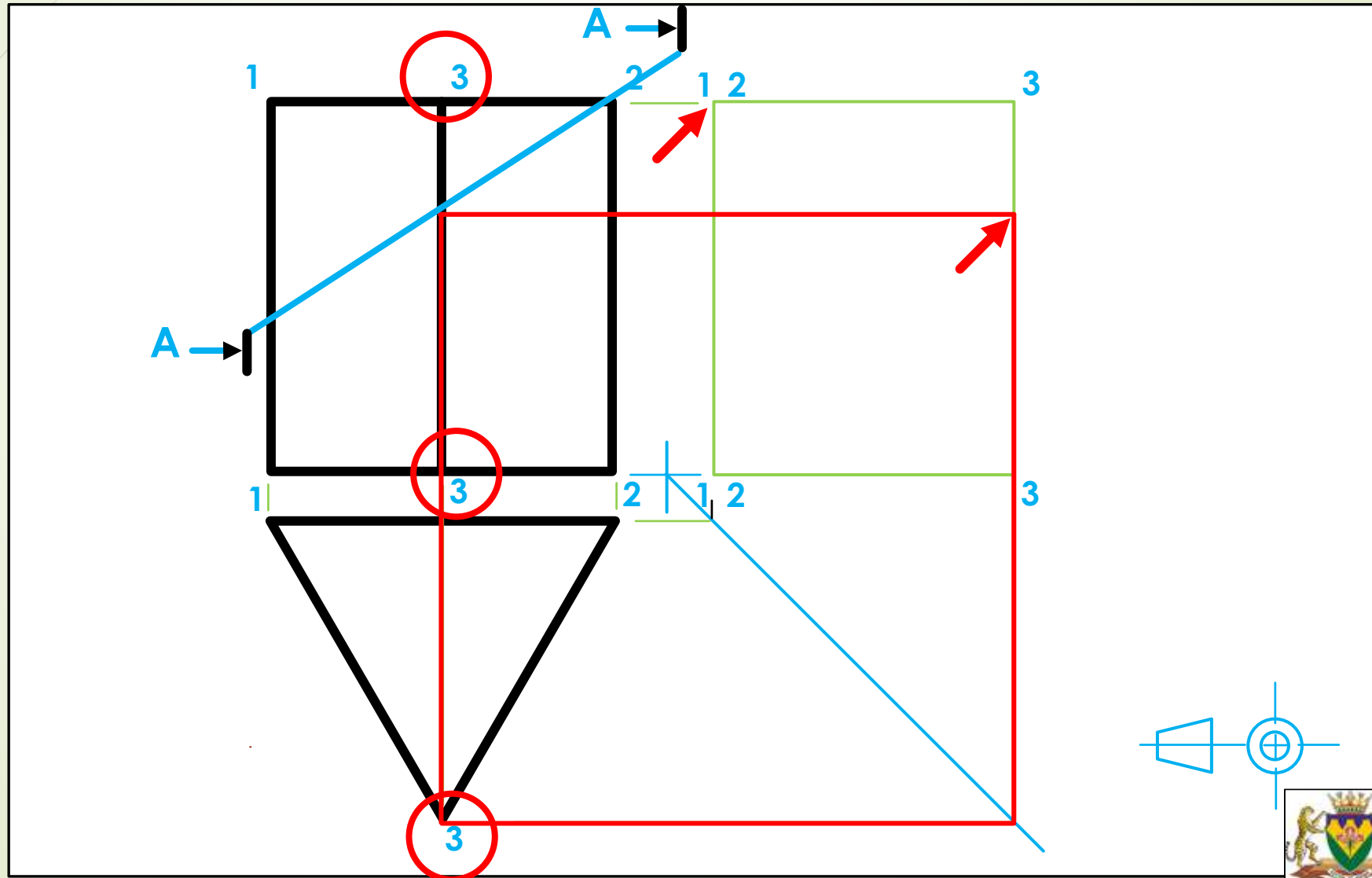
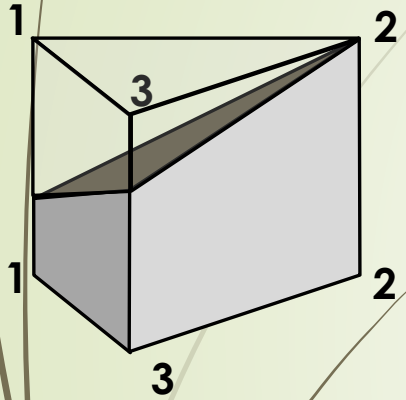




# Sectioning through a right solid

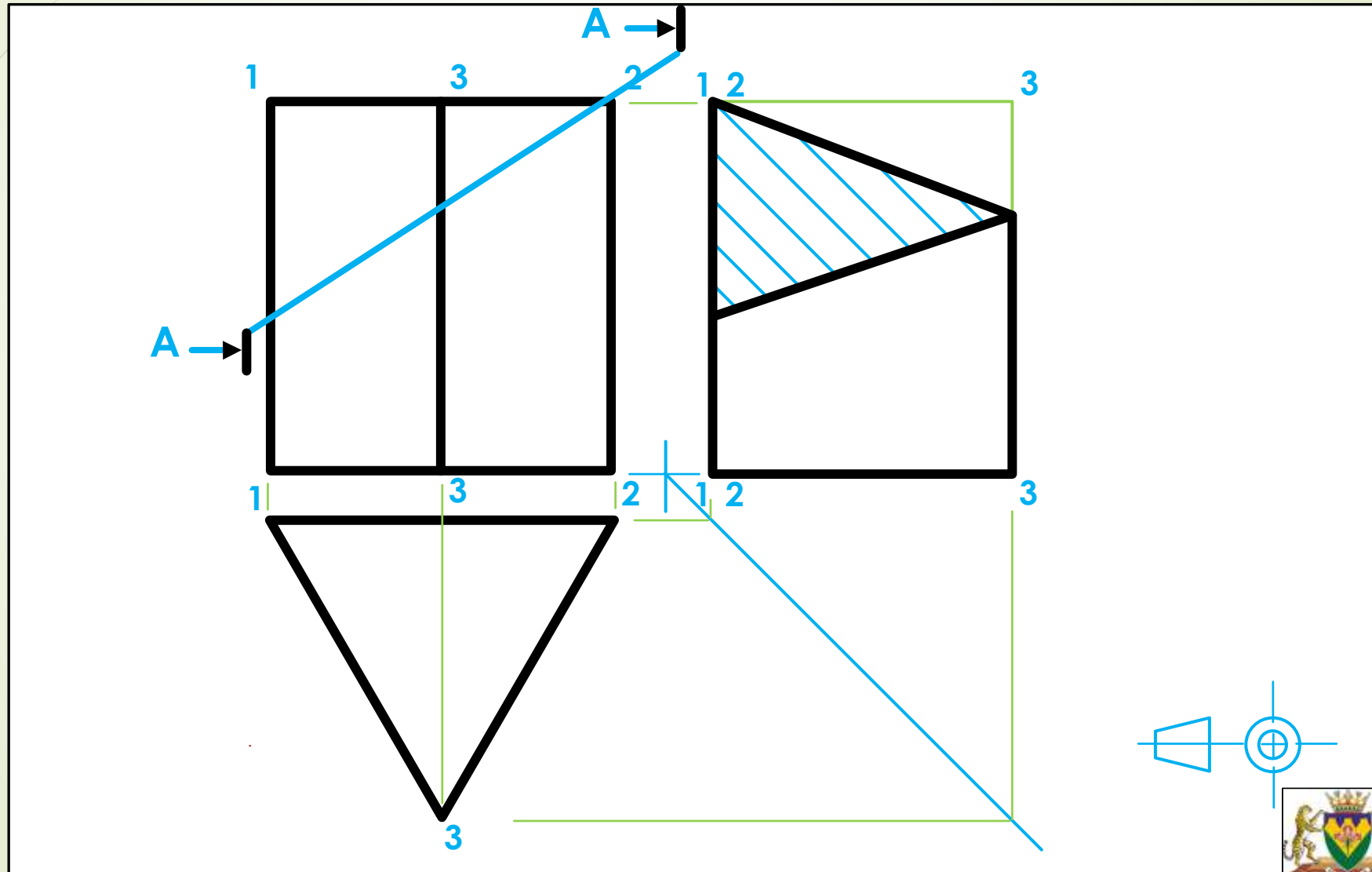
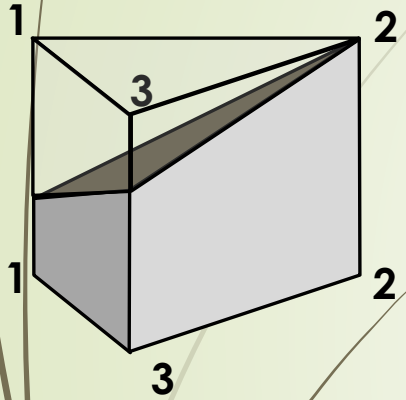


# Sectioning through a right solid

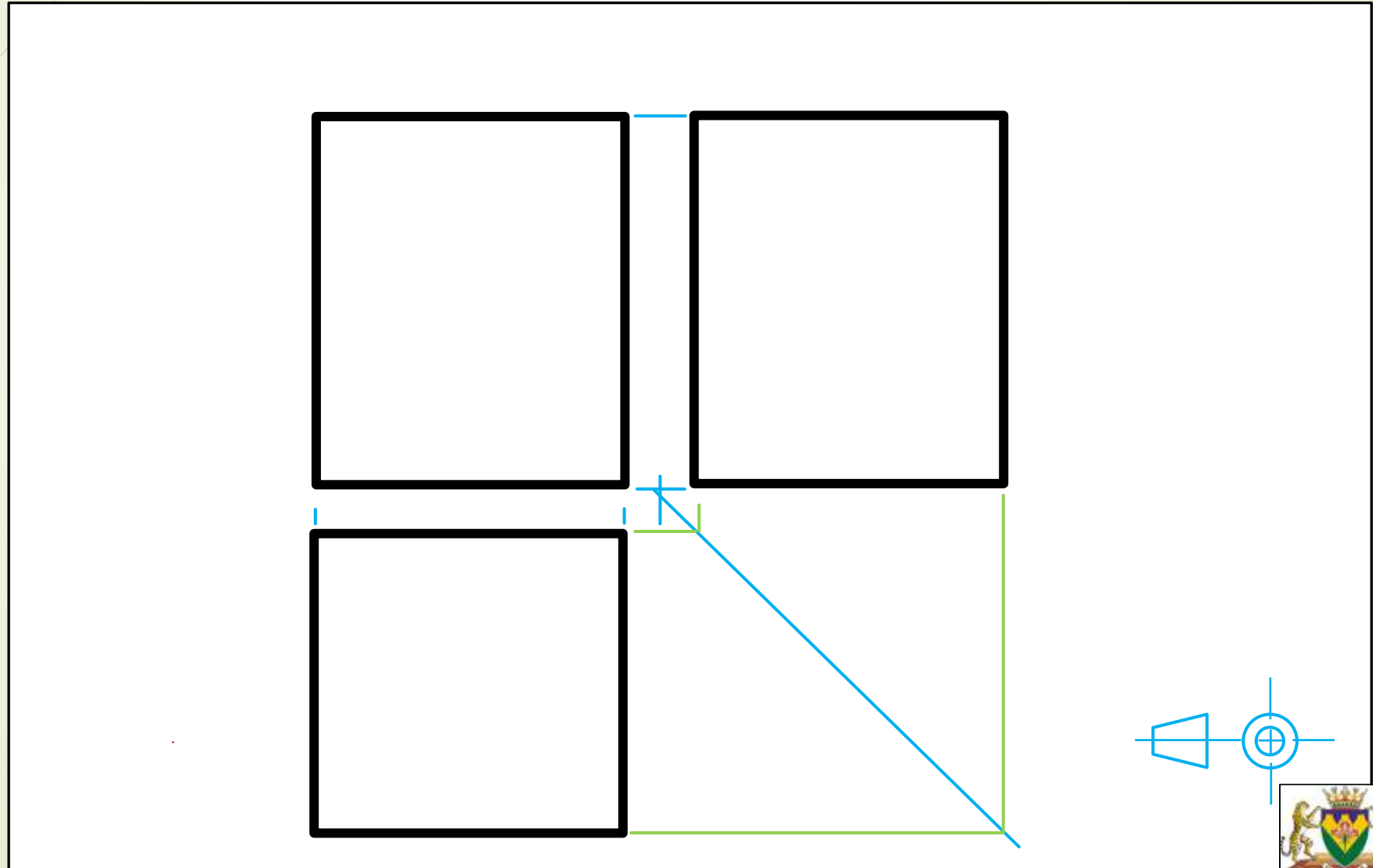
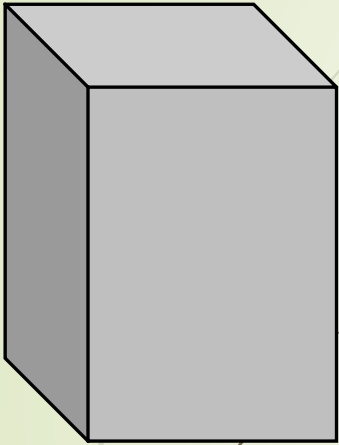




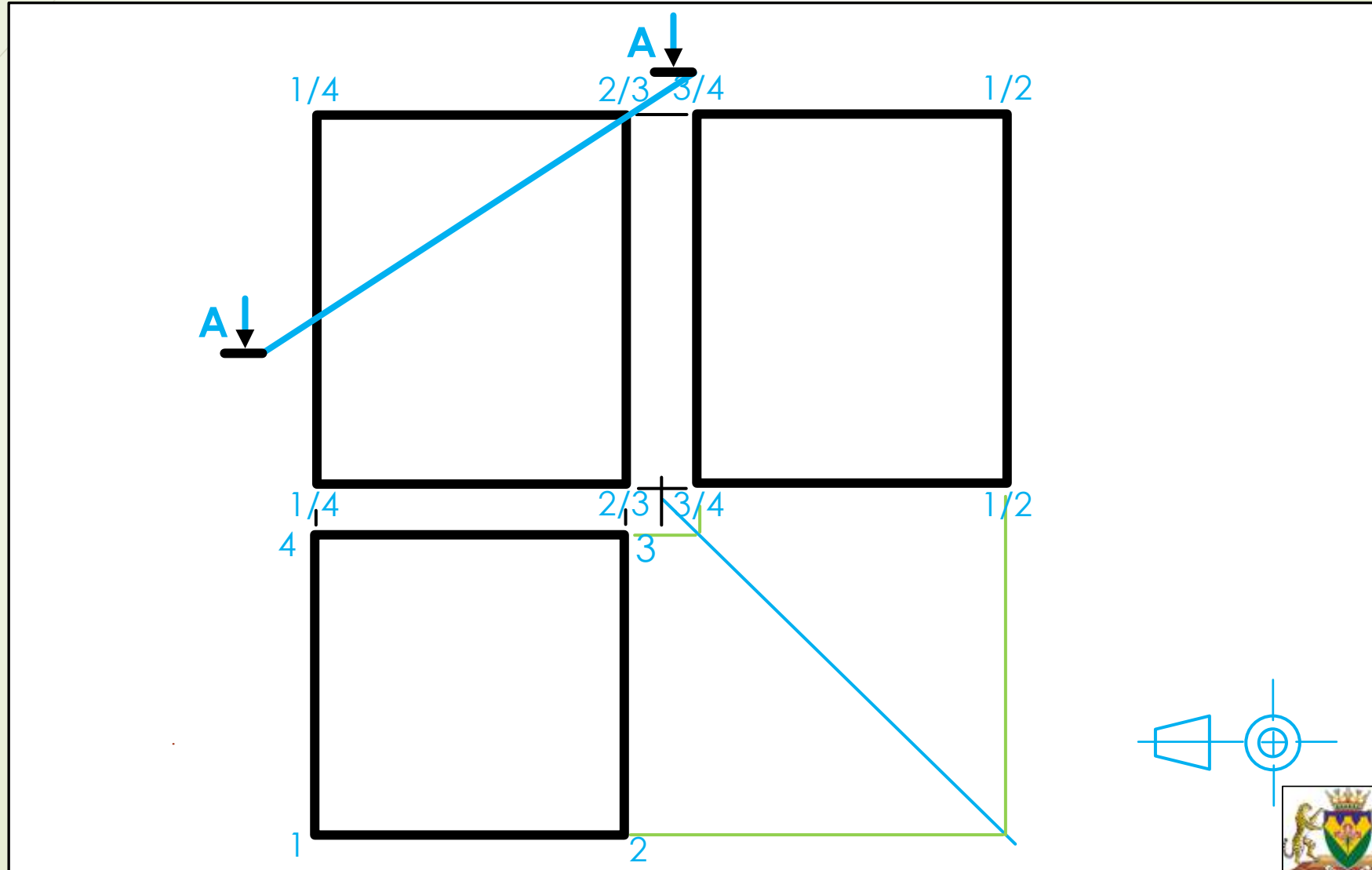
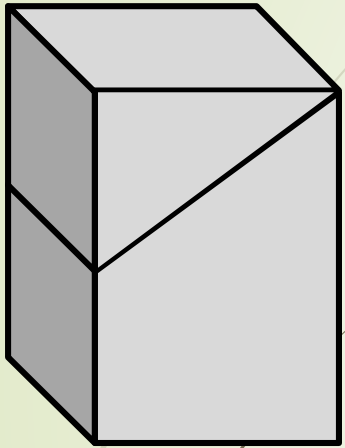
# Sectioning through a right solid



# Sectioning through a right solid

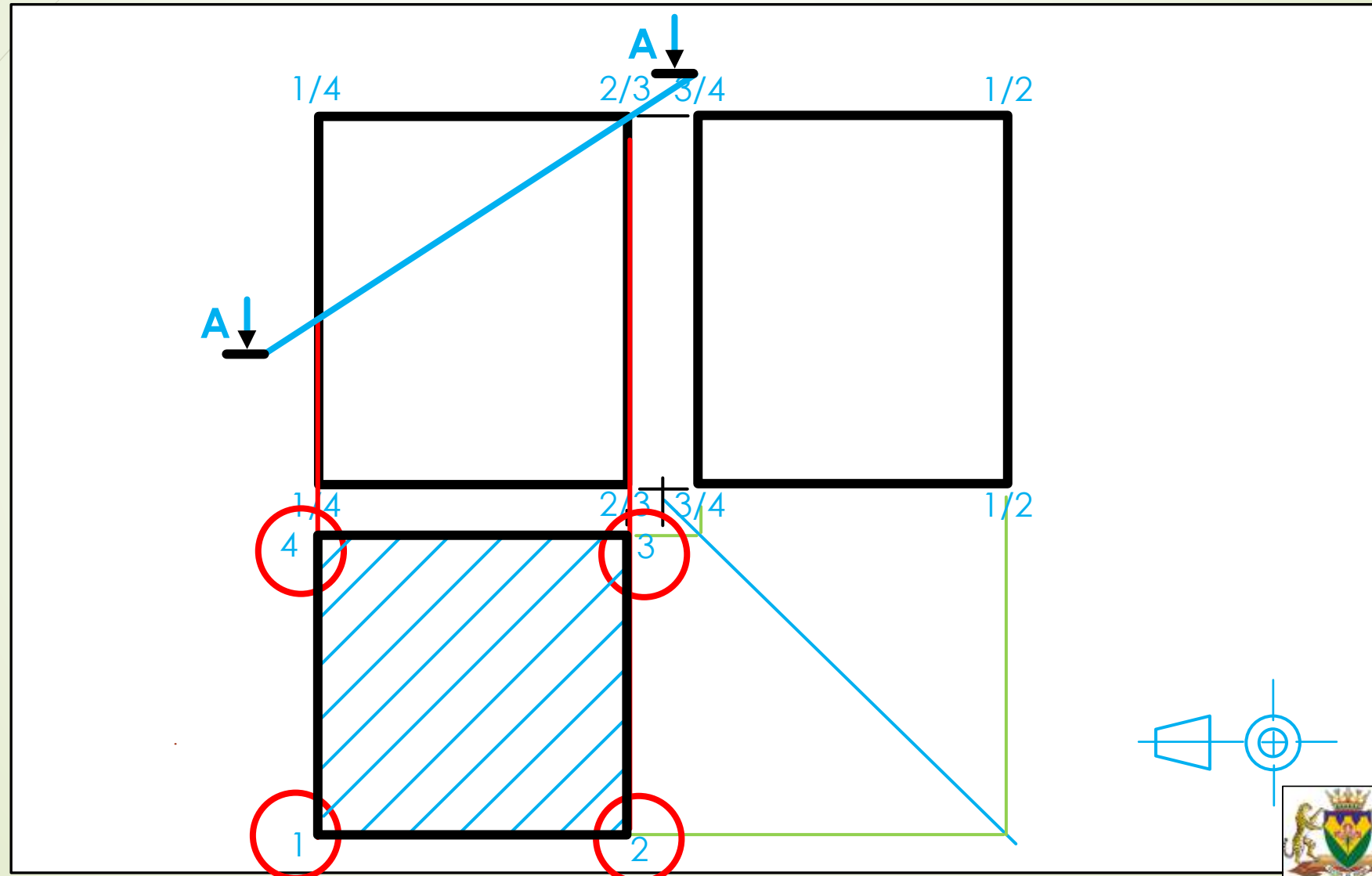
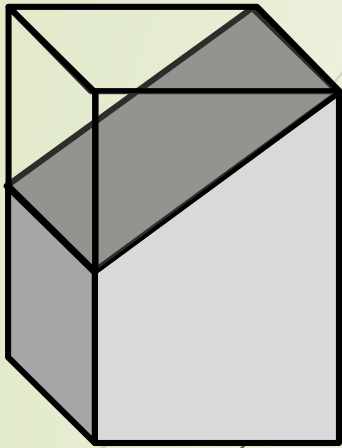


# Sectioning through a right solid

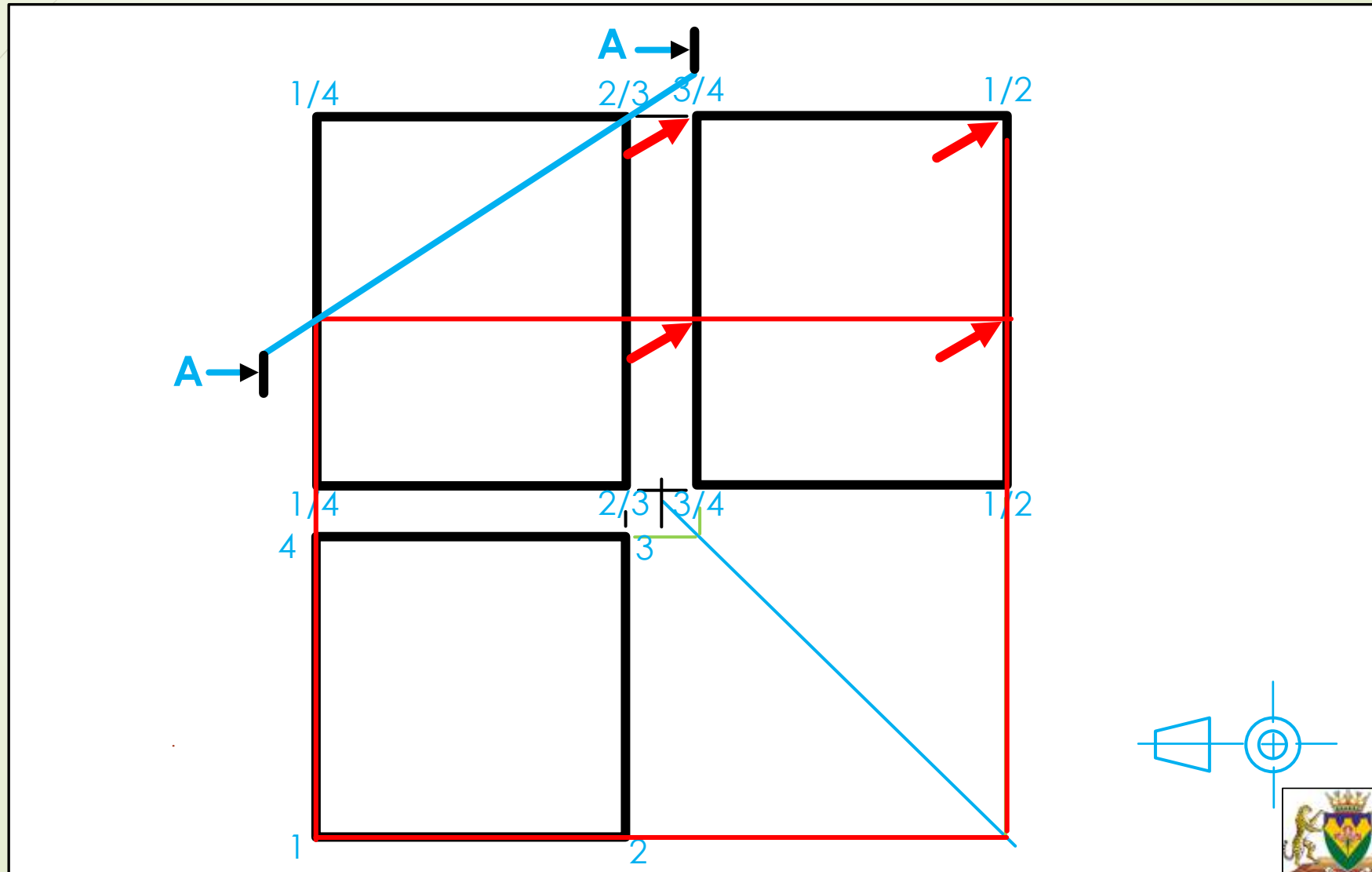
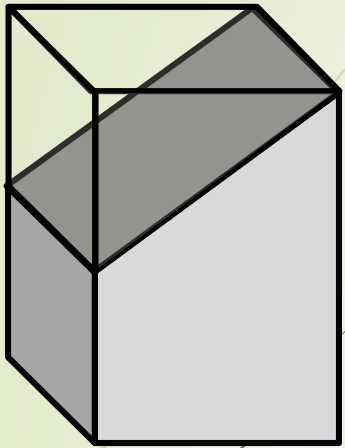




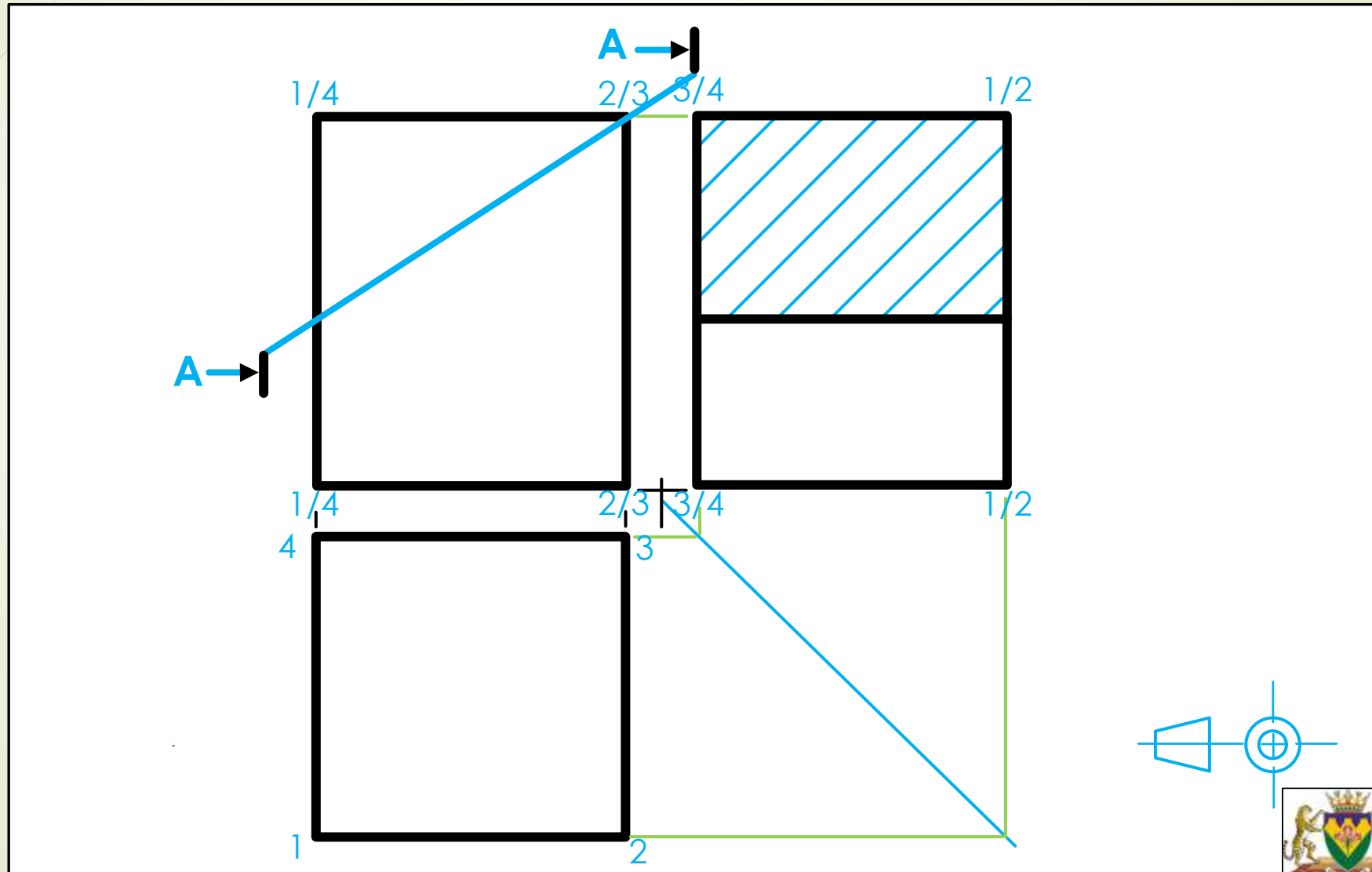
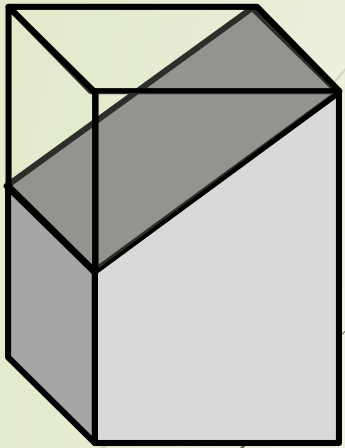
# Sectioning through a right solid



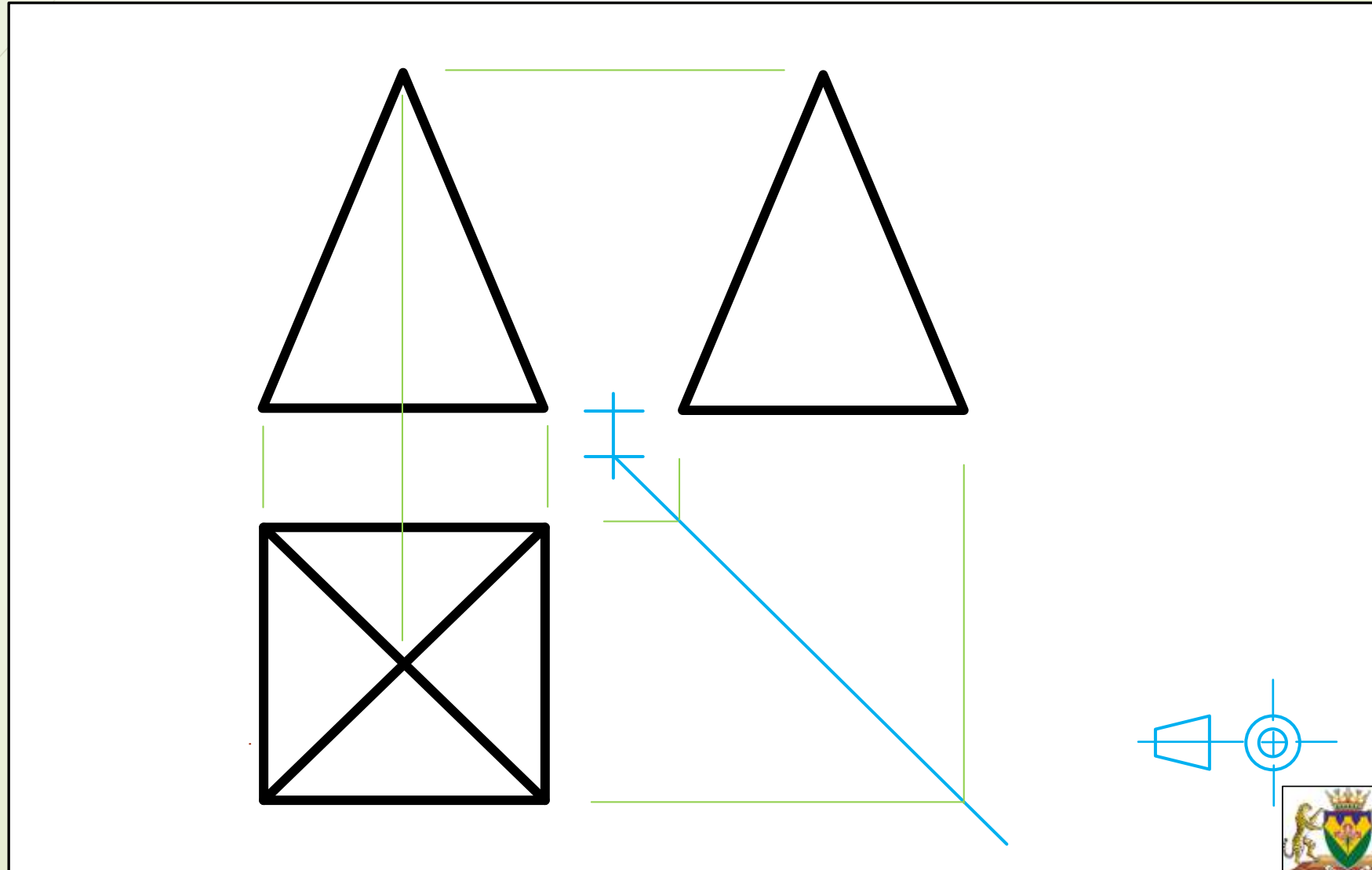
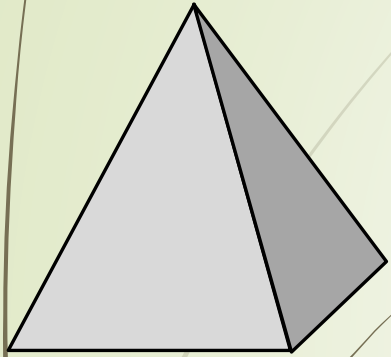
# Sectioning through a right solid



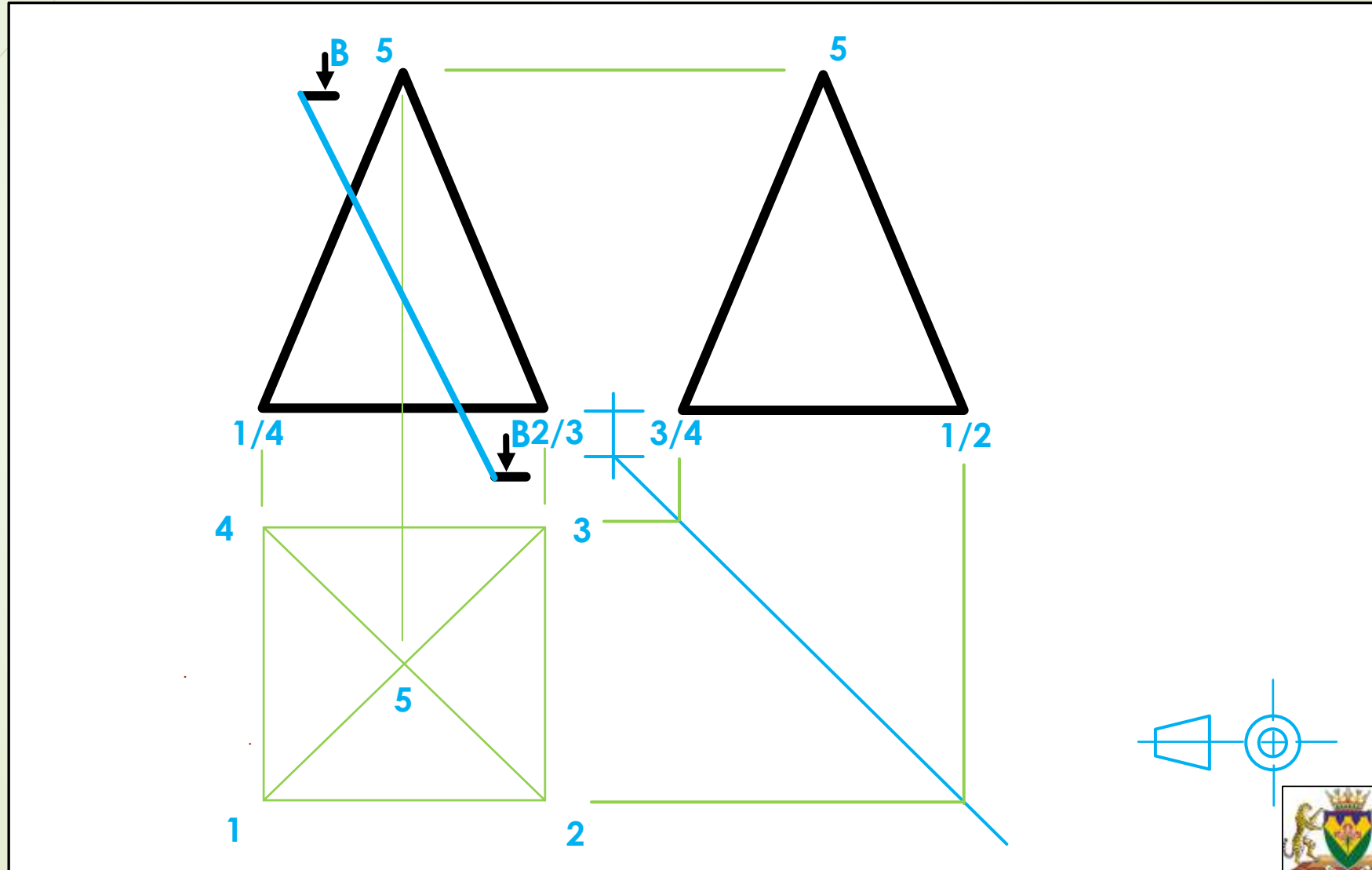
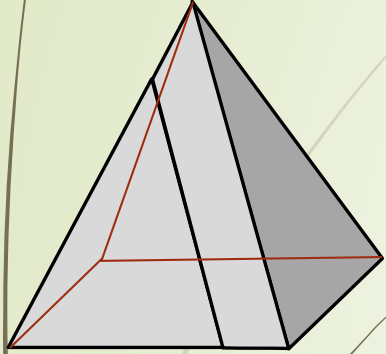
# Sectioning through a right solid



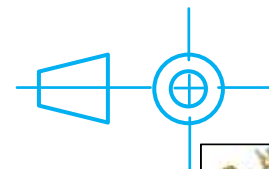
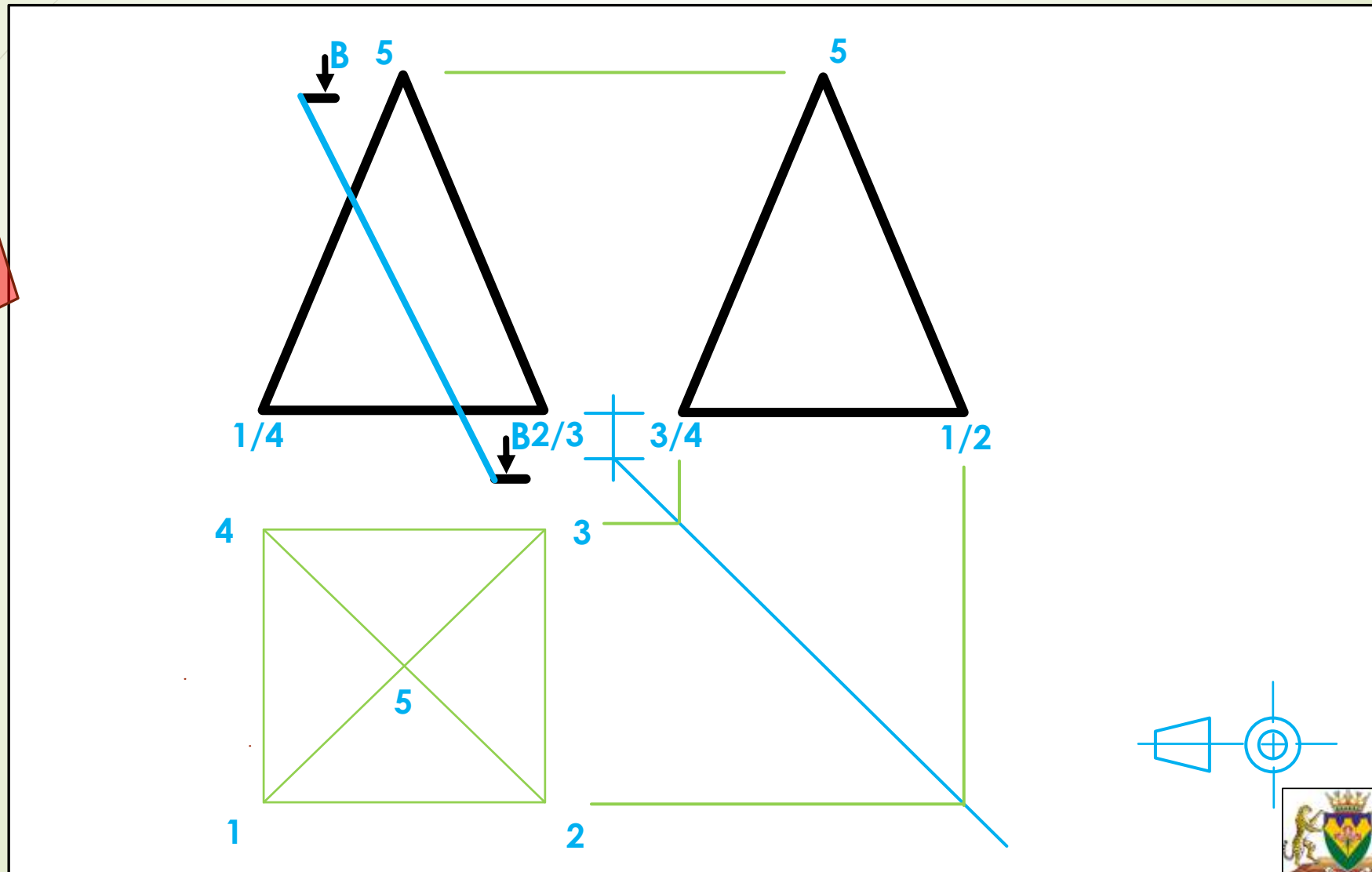
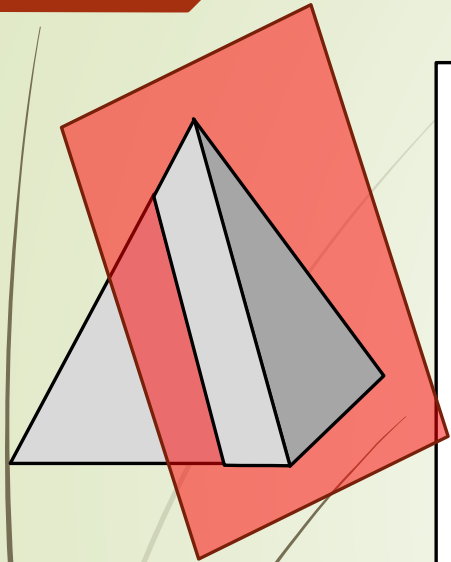
# Application on polygons



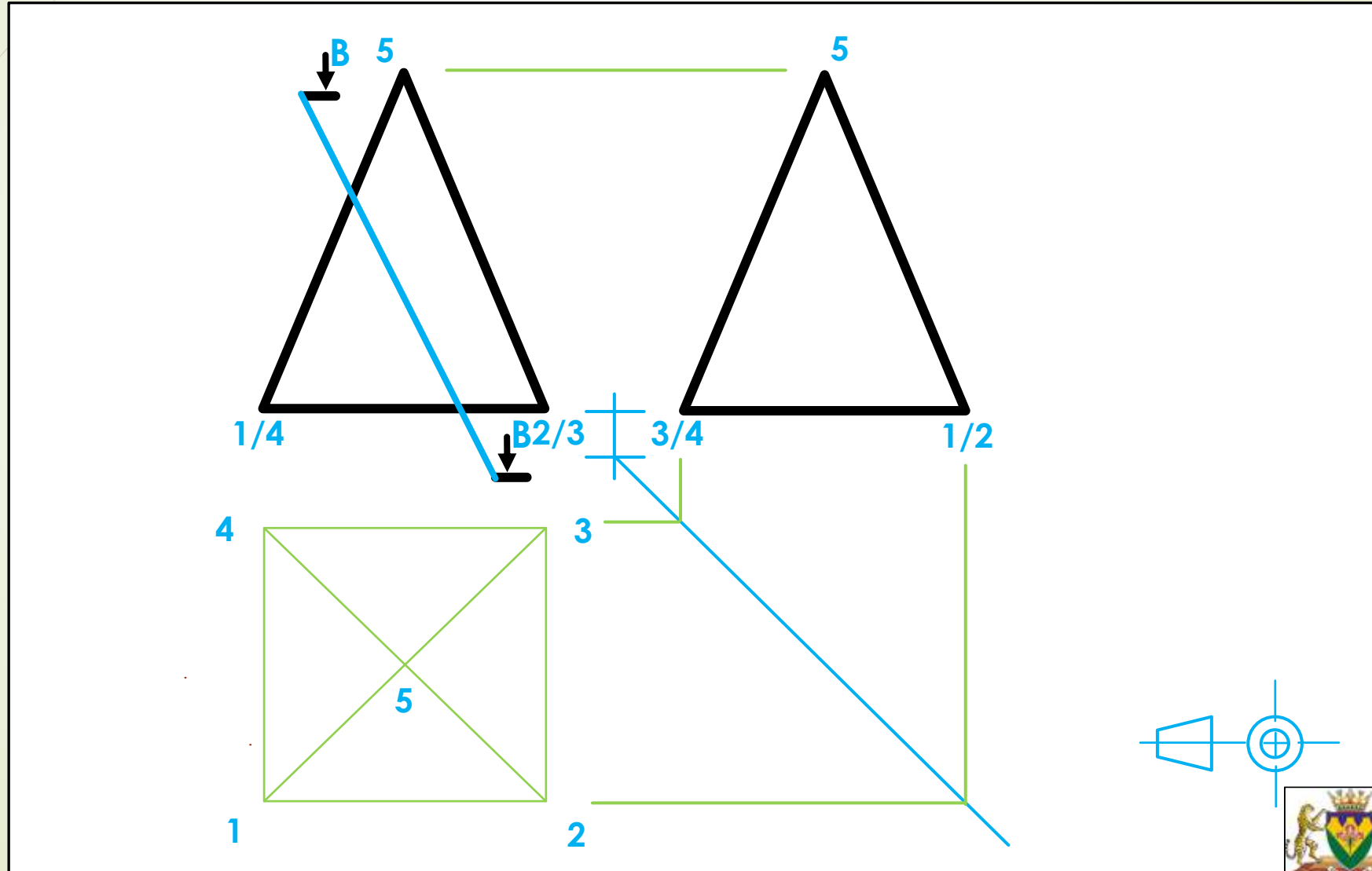
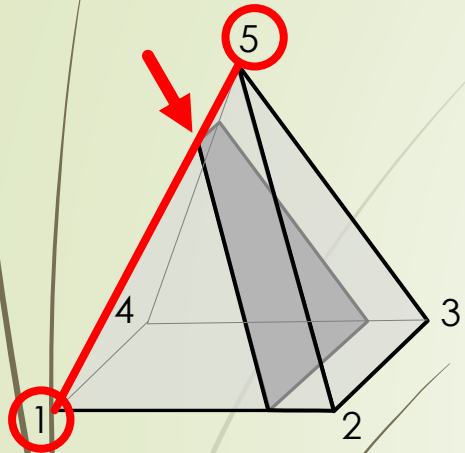
# Application on polygons



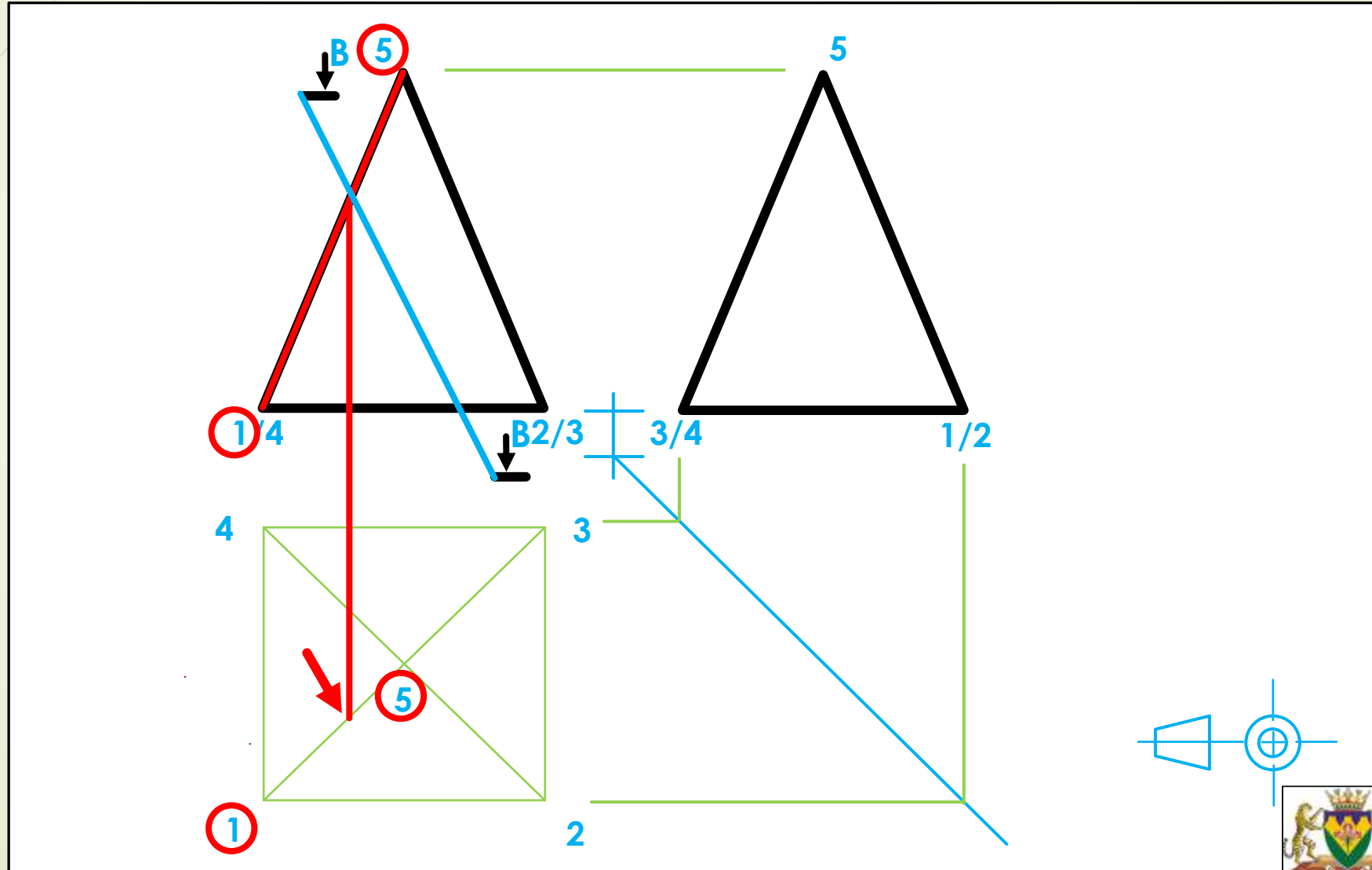
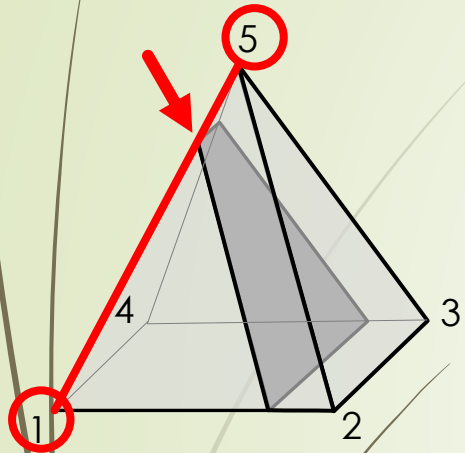
# Application on polygons



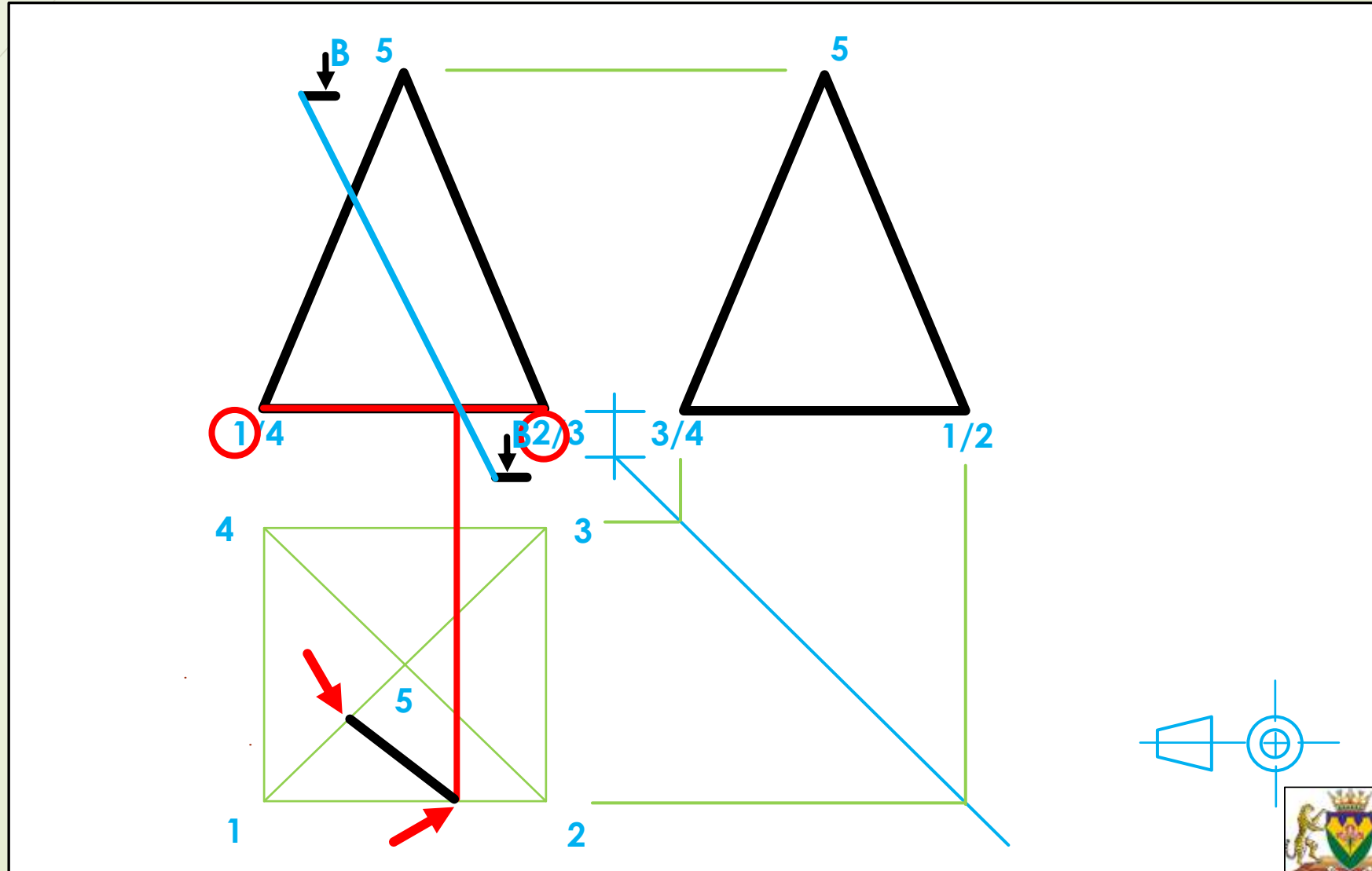
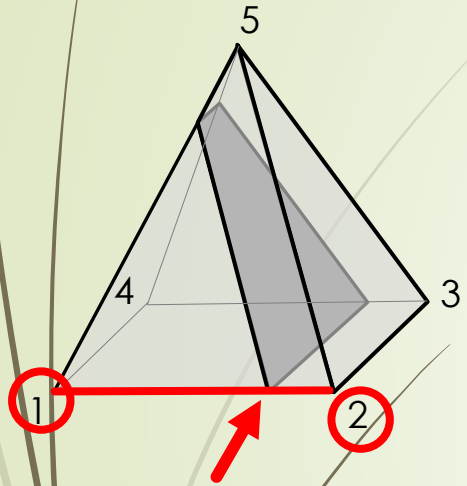
# Application on polygons



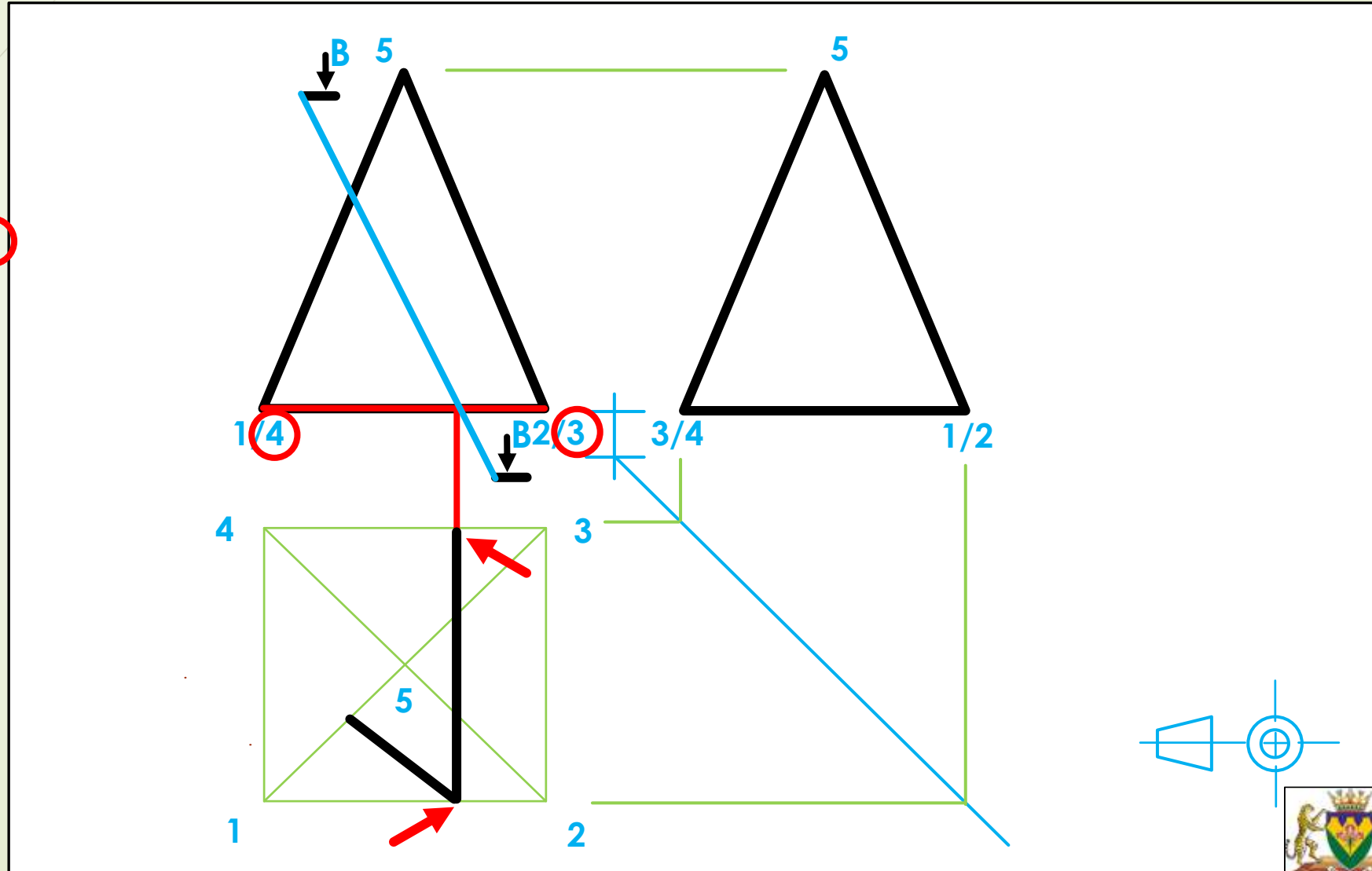
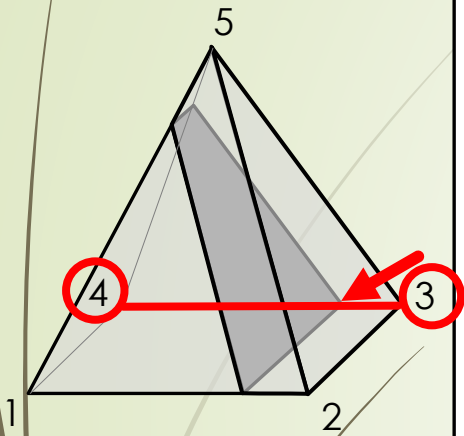
# Application on polygons



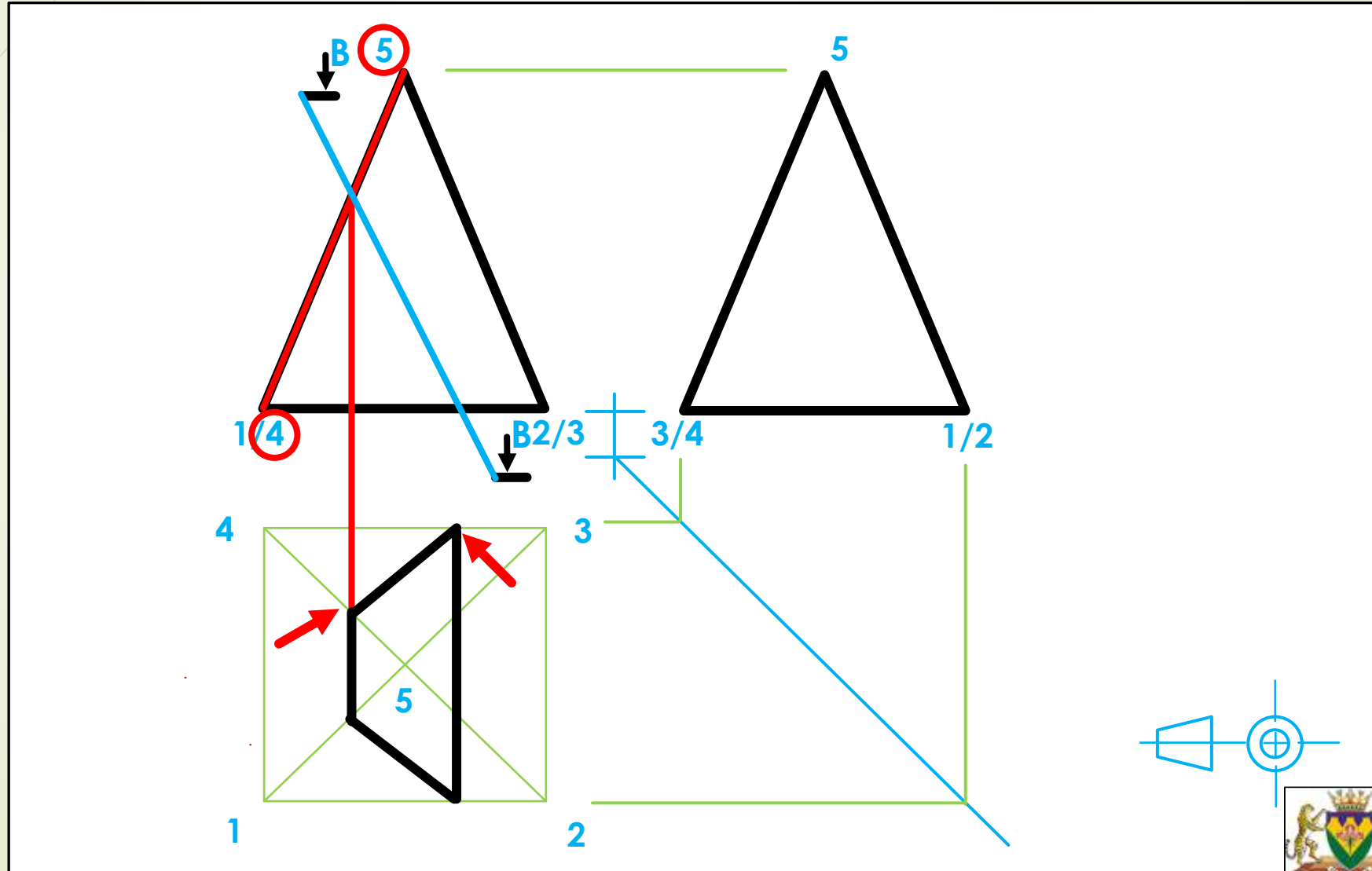
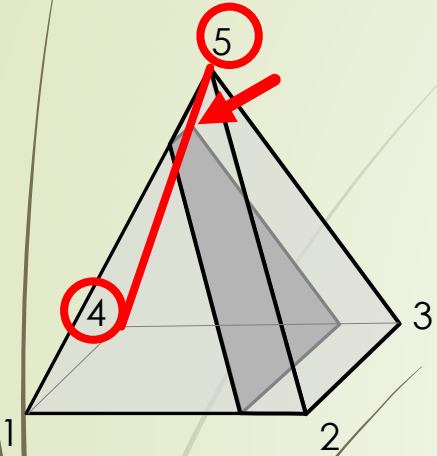
# Application on polygons



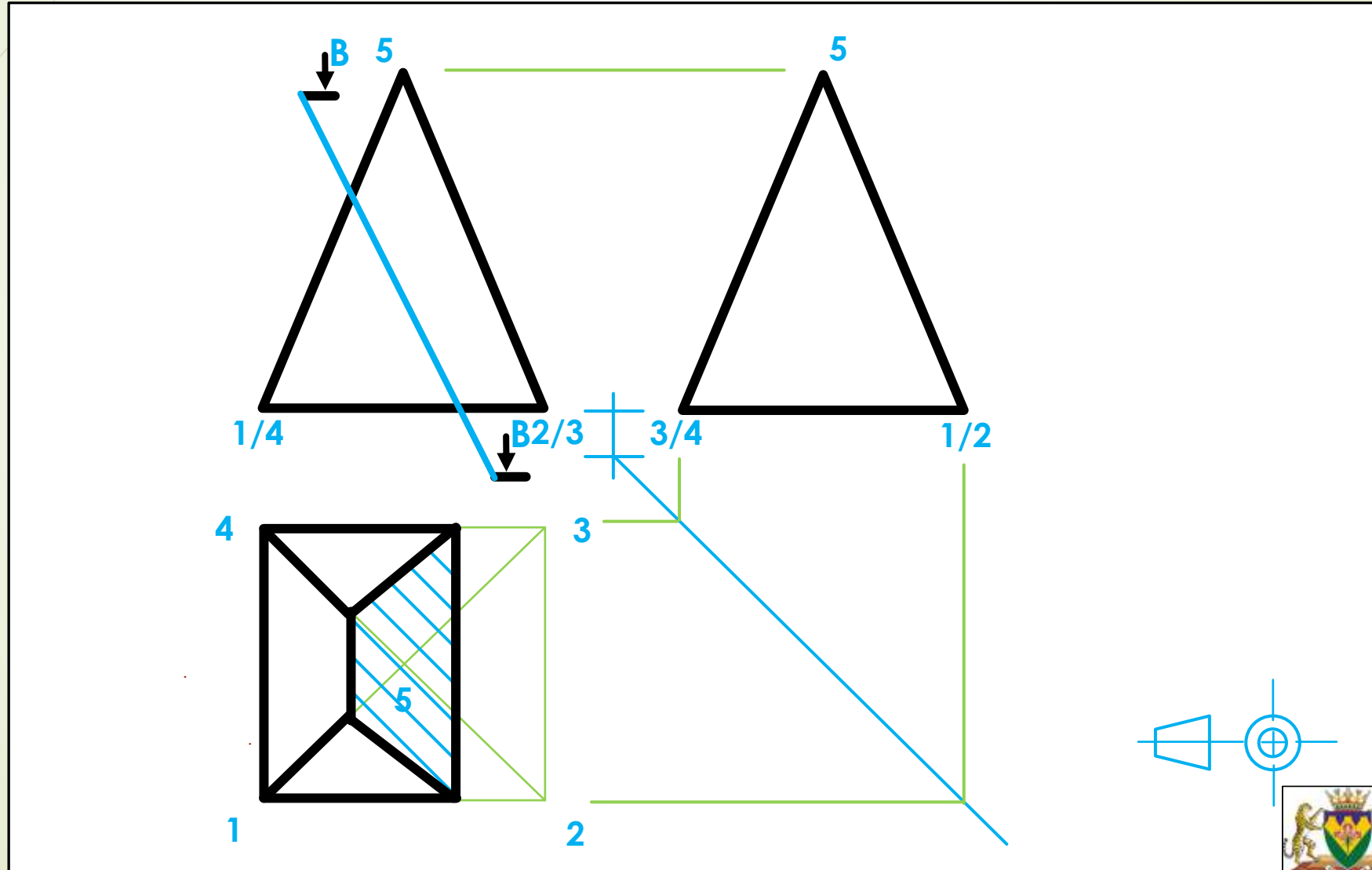
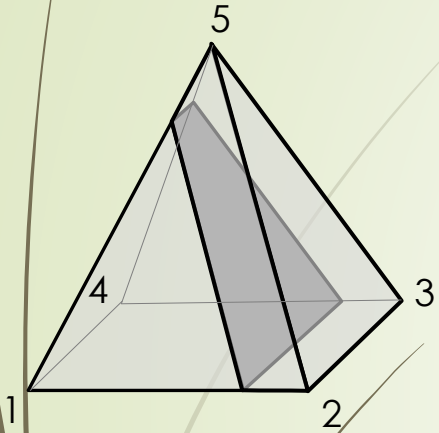
# Application on polygons



# Application on polygons



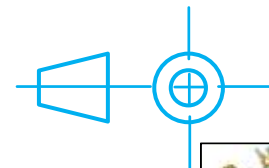
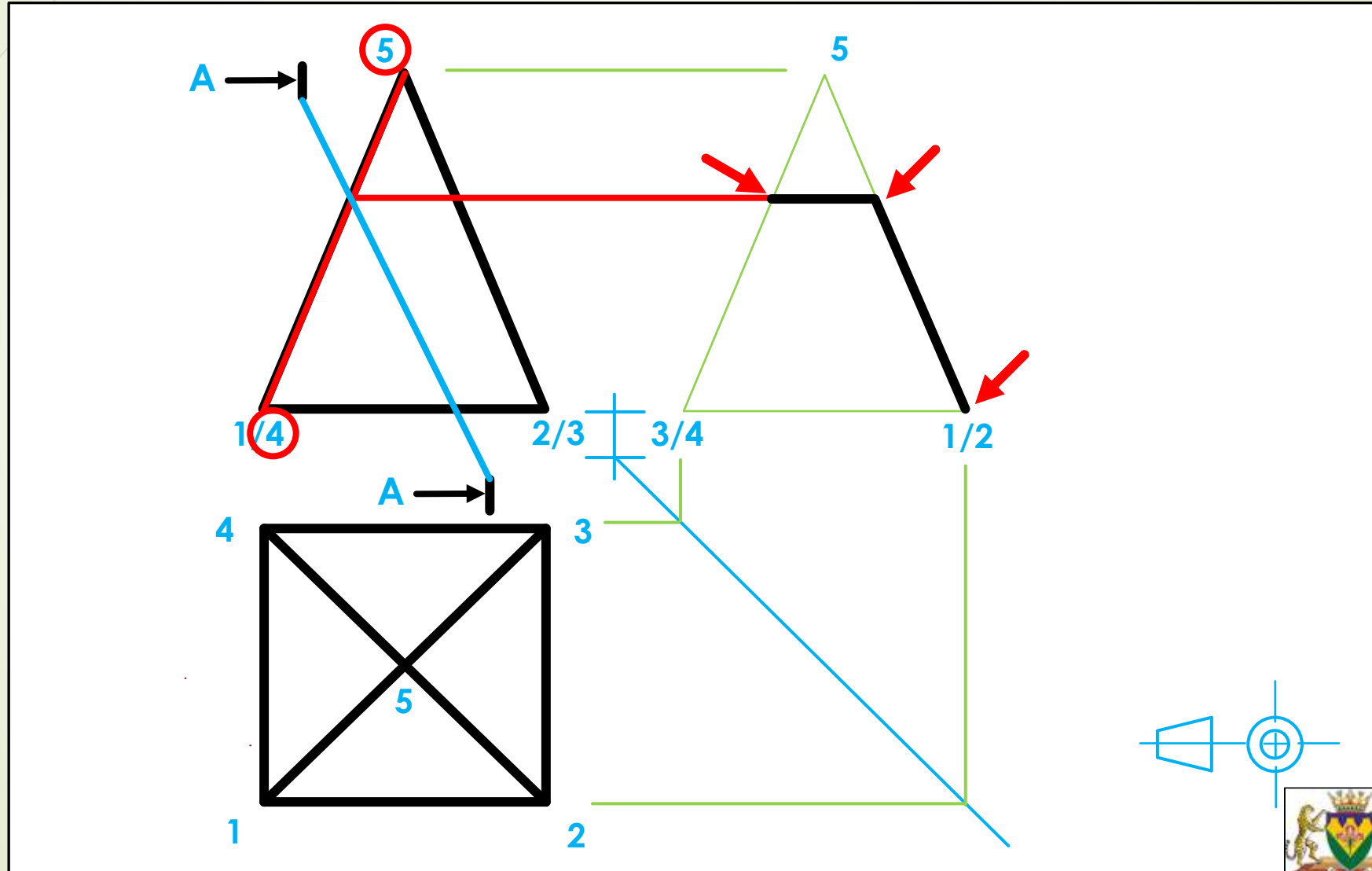
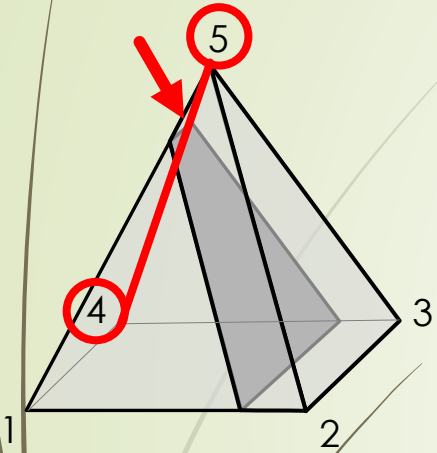
# Application on polygons







# Application on polygons



# Application on polygons

