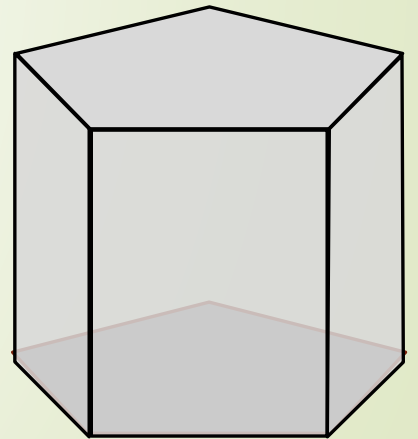
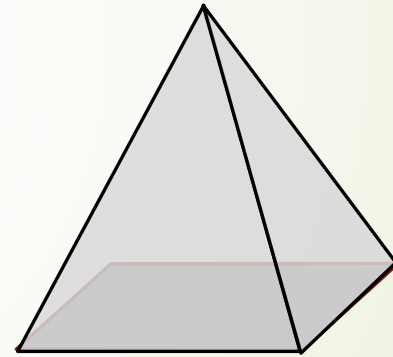
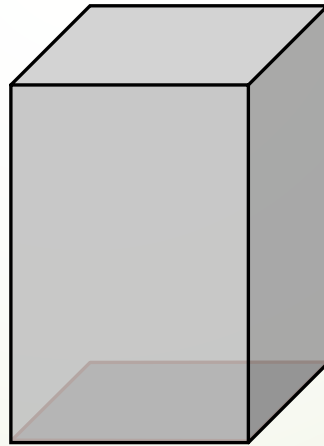
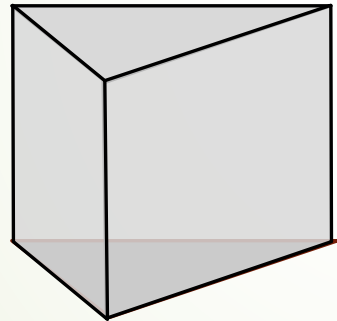
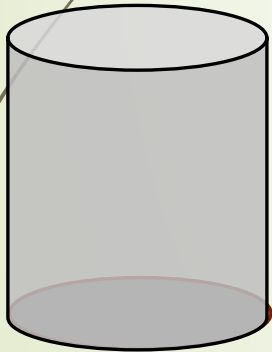




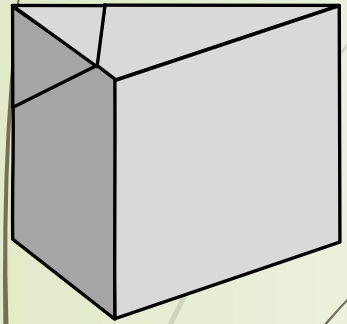
Application on polygons

SOLID GEOMETRY

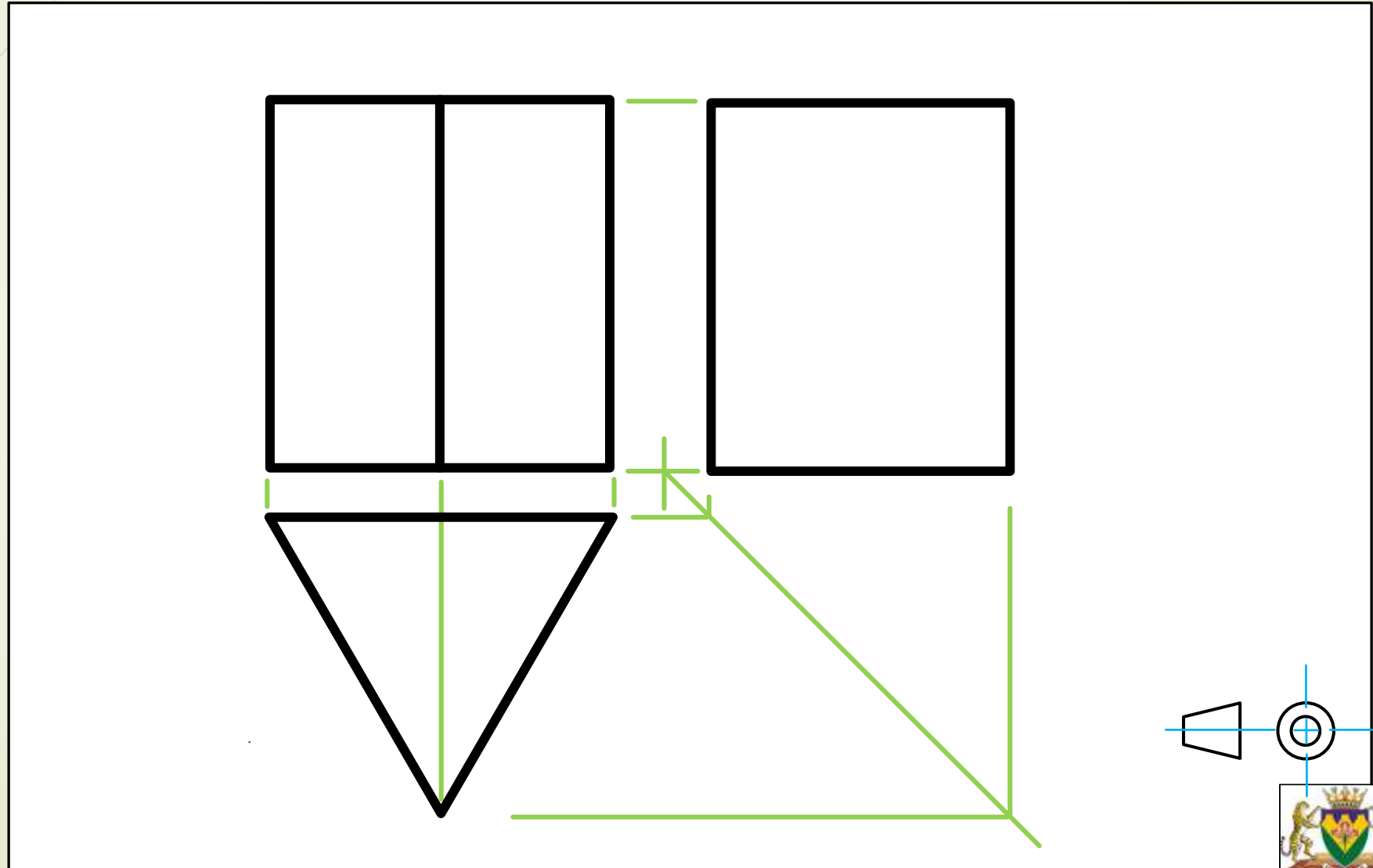
- Projecting right regular pyramids, prisms, cones and cylinders from polygons.



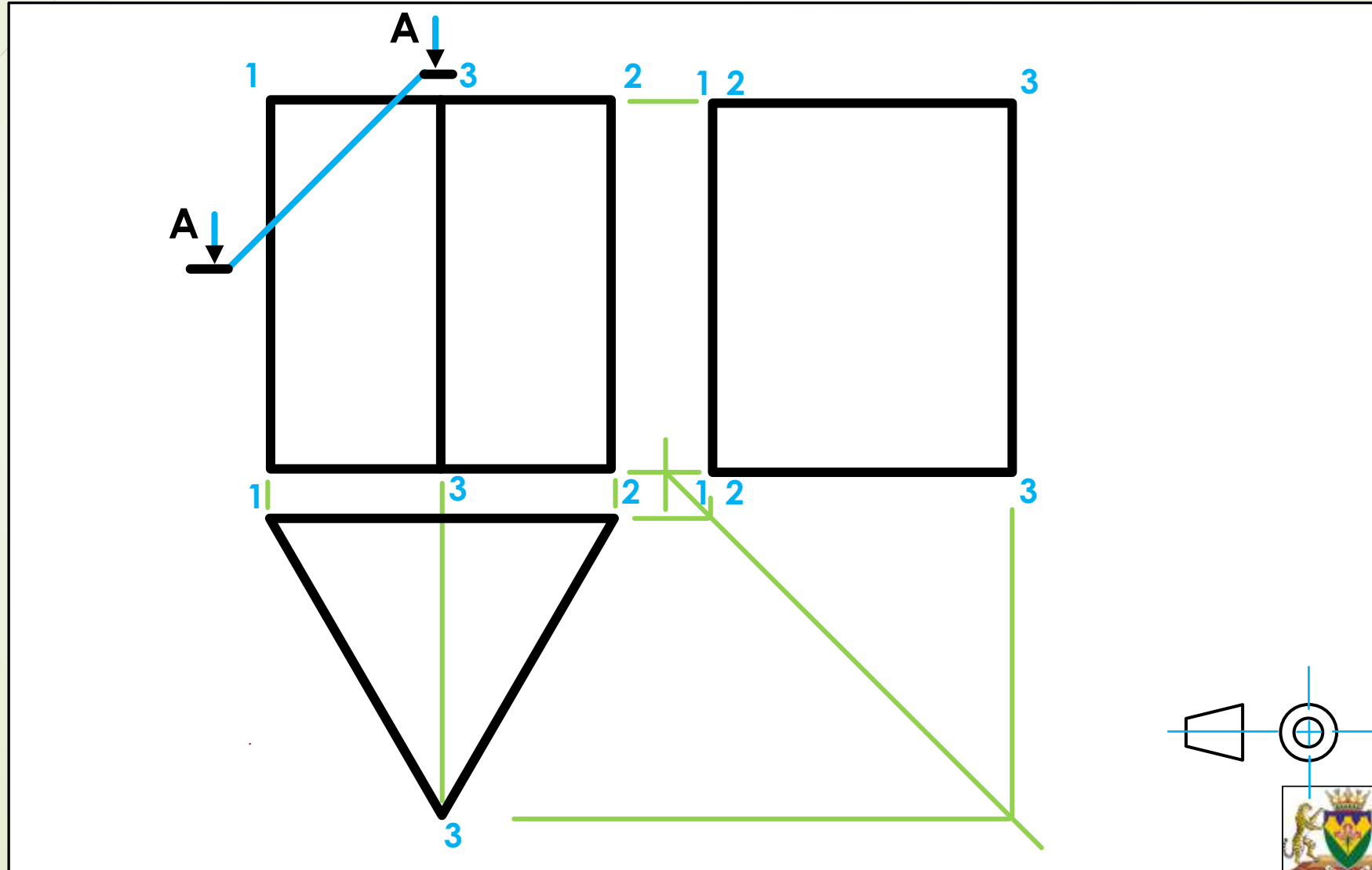
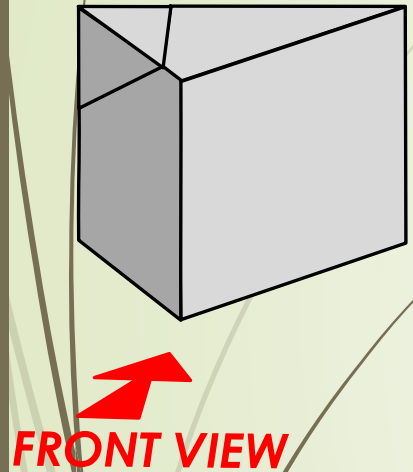
Sectioning through a right solid



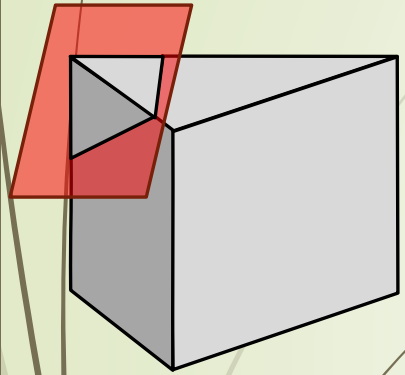

FRONT VIEW



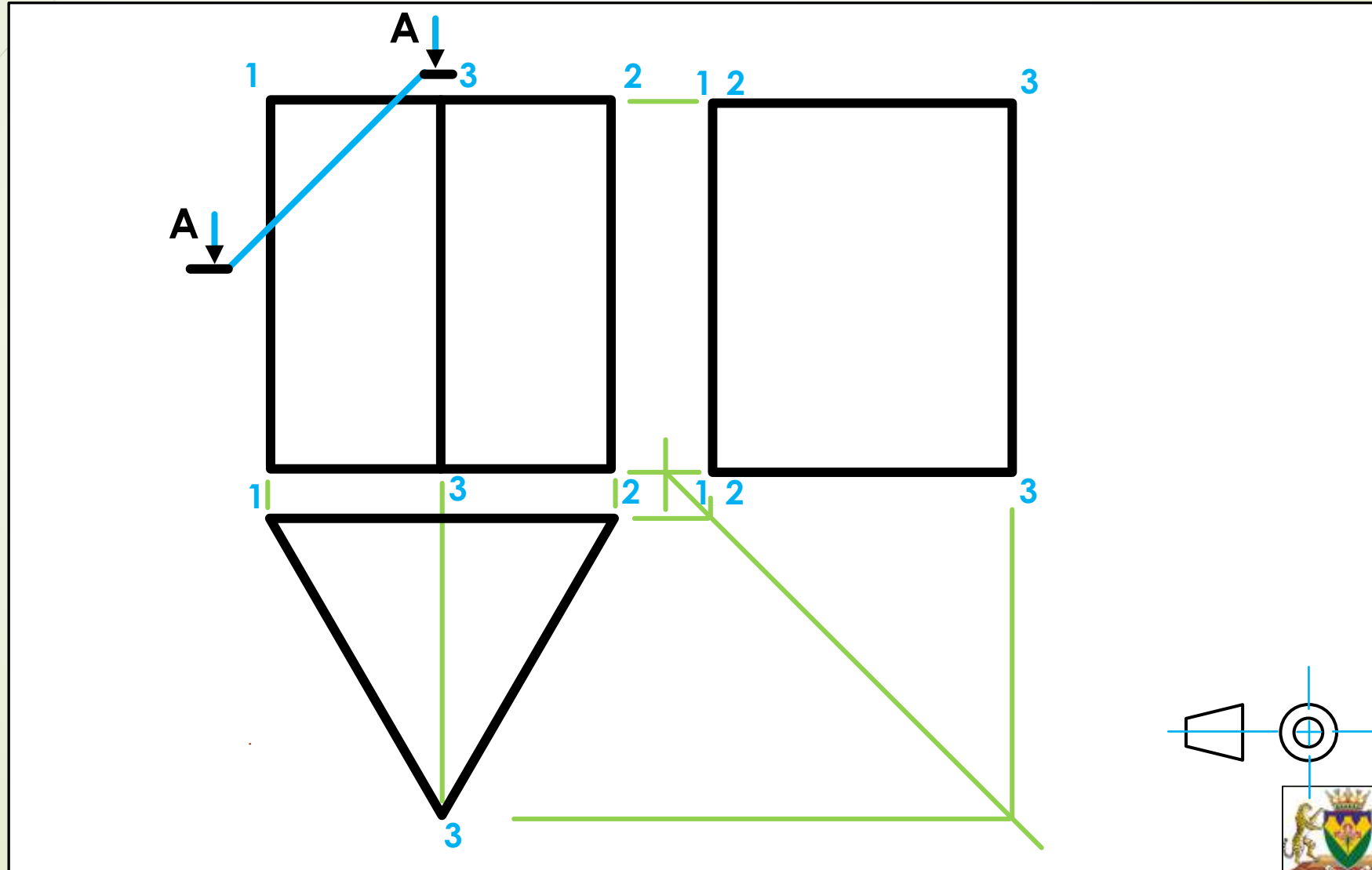
Sectioning through a right solid



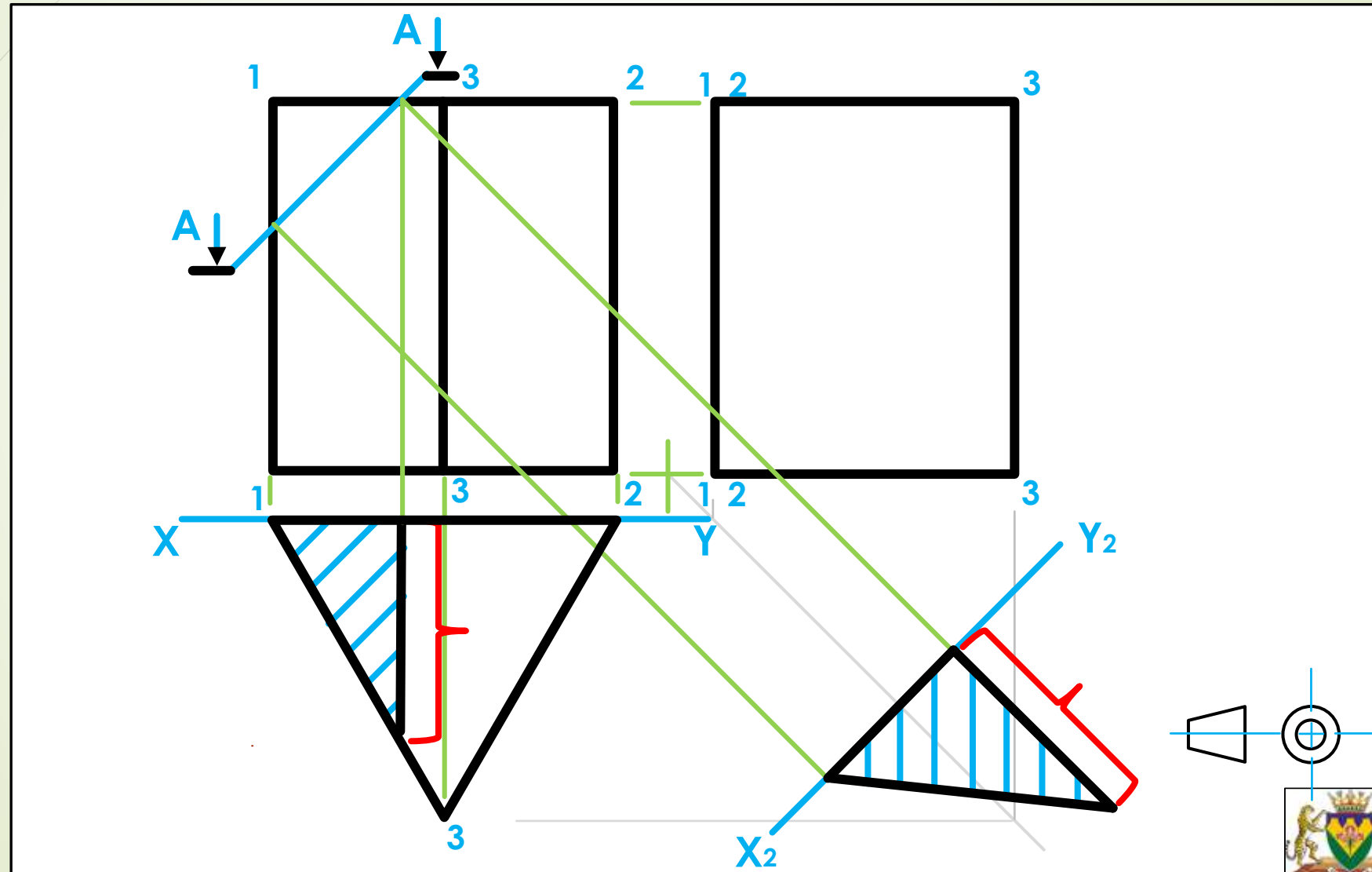
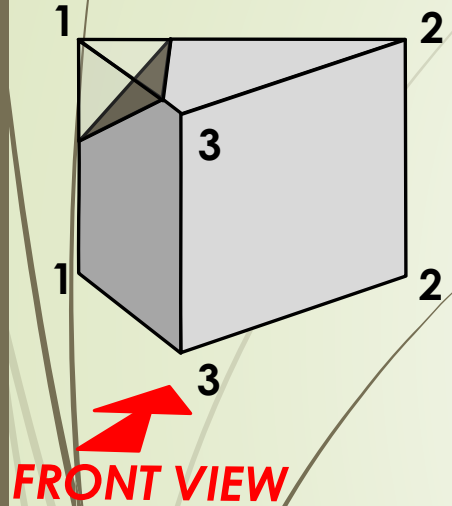
Sectioning through a right solid



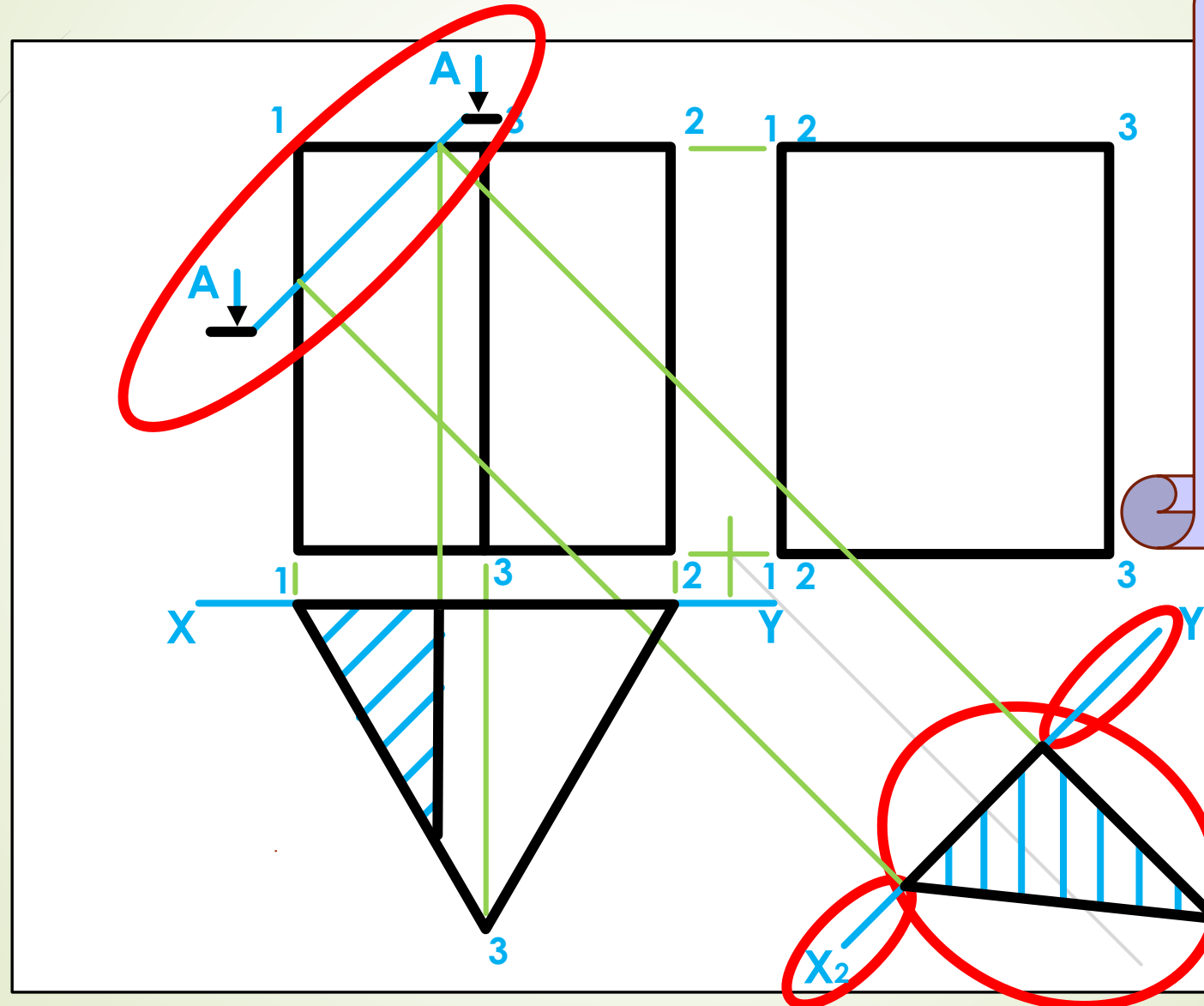
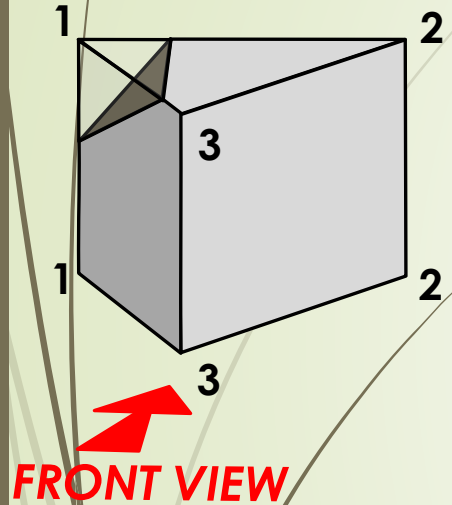
FRONT VIEW



True shape of the sectioned area

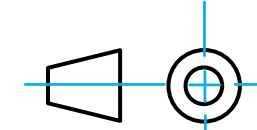


True shape of the sectioned area

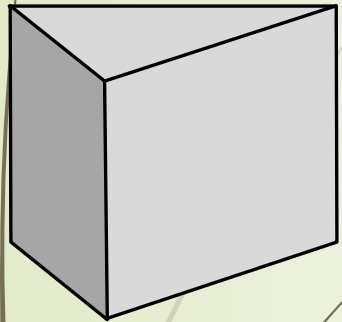


If the XY is drawn parallel with the cutting plane, the sectioned area will be the true shape

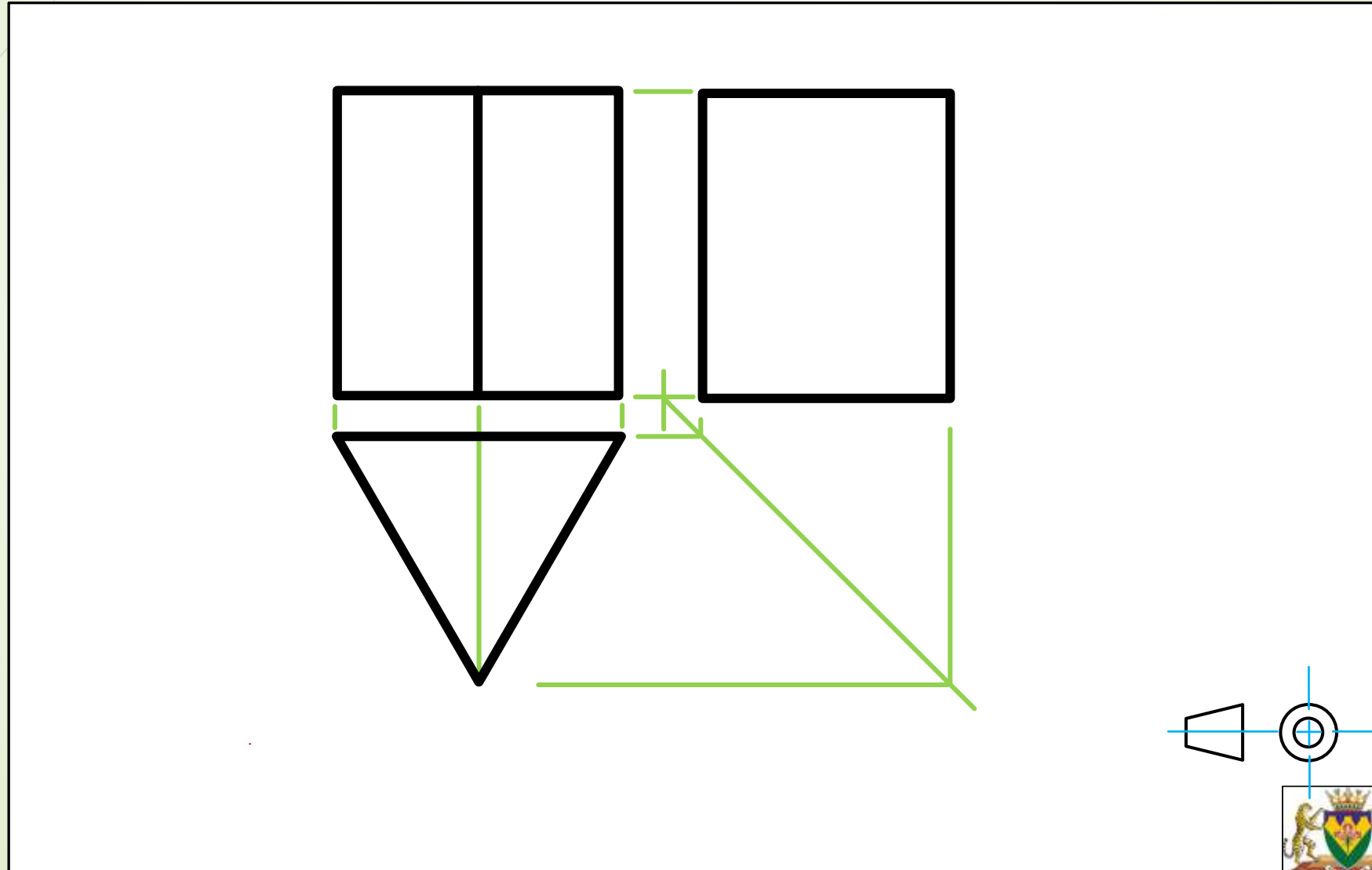
True Shape



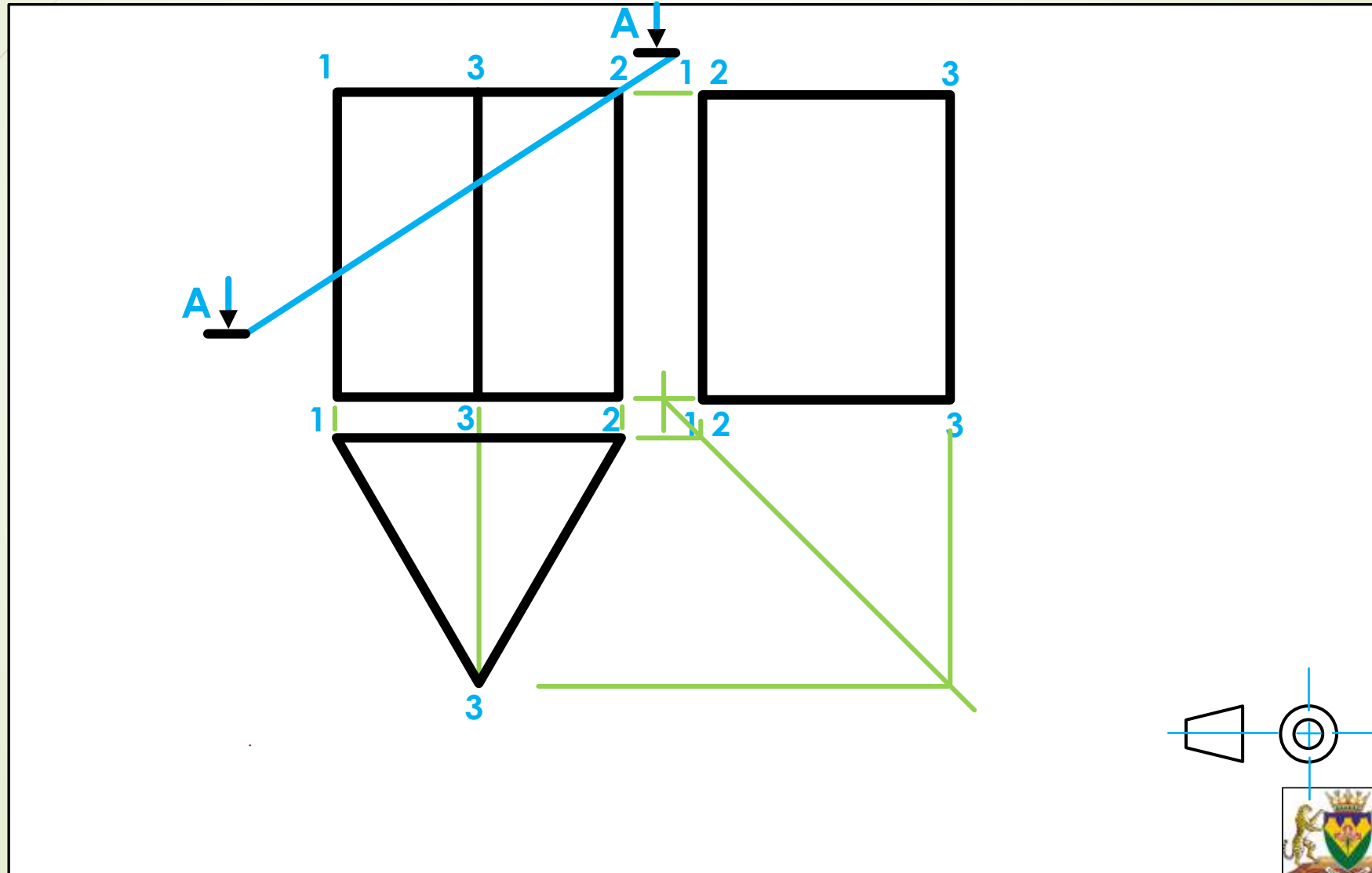
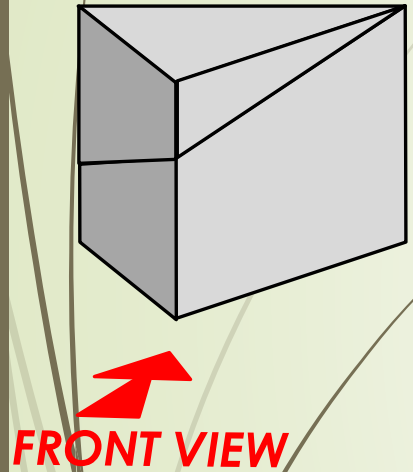
Sectioning through a right solid



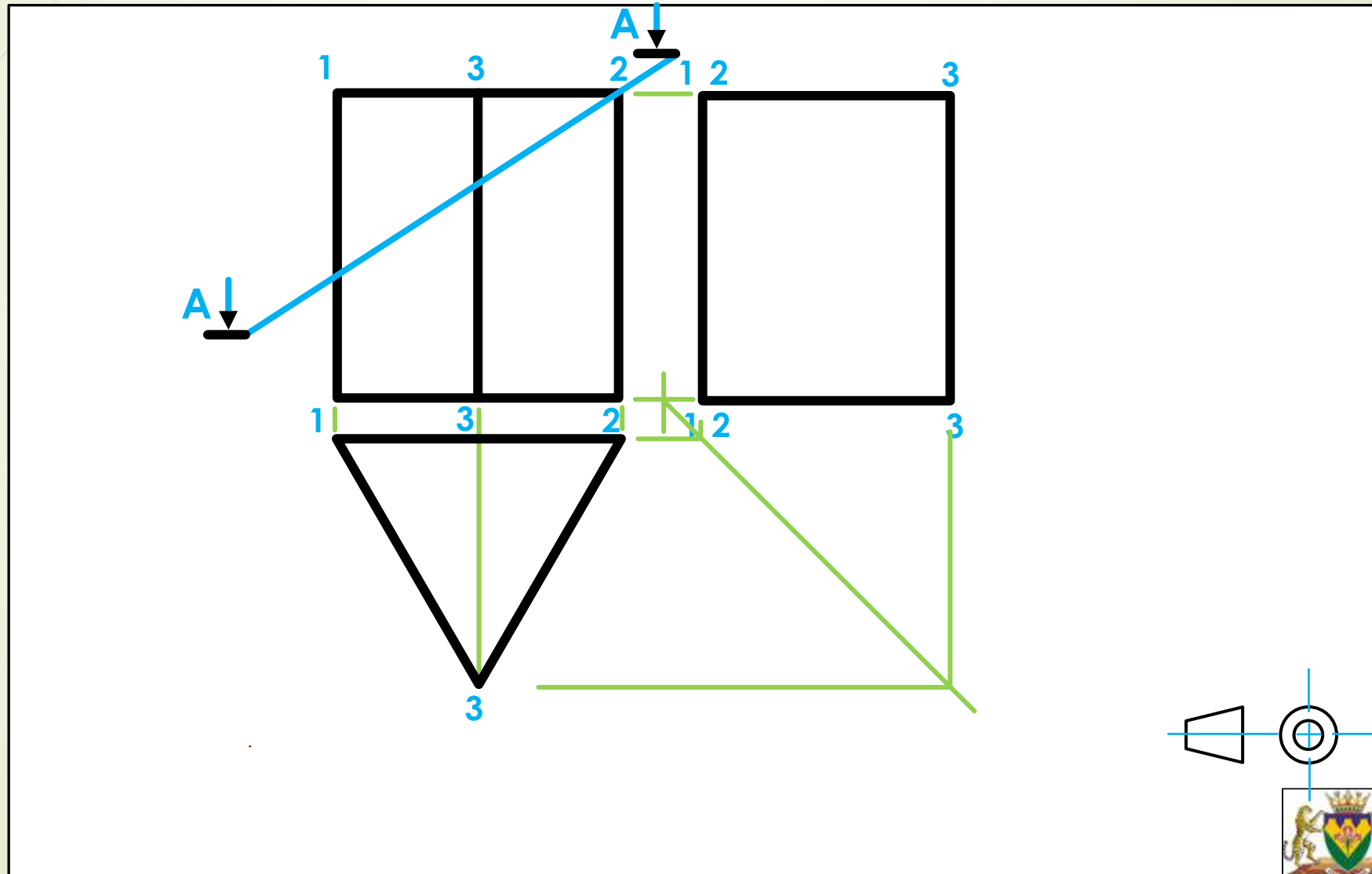
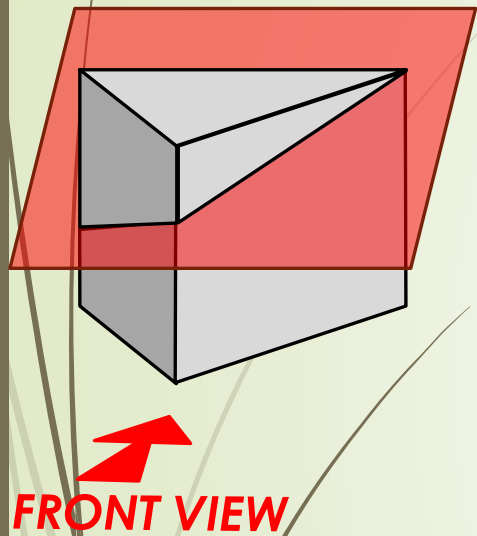

FRONT VIEW



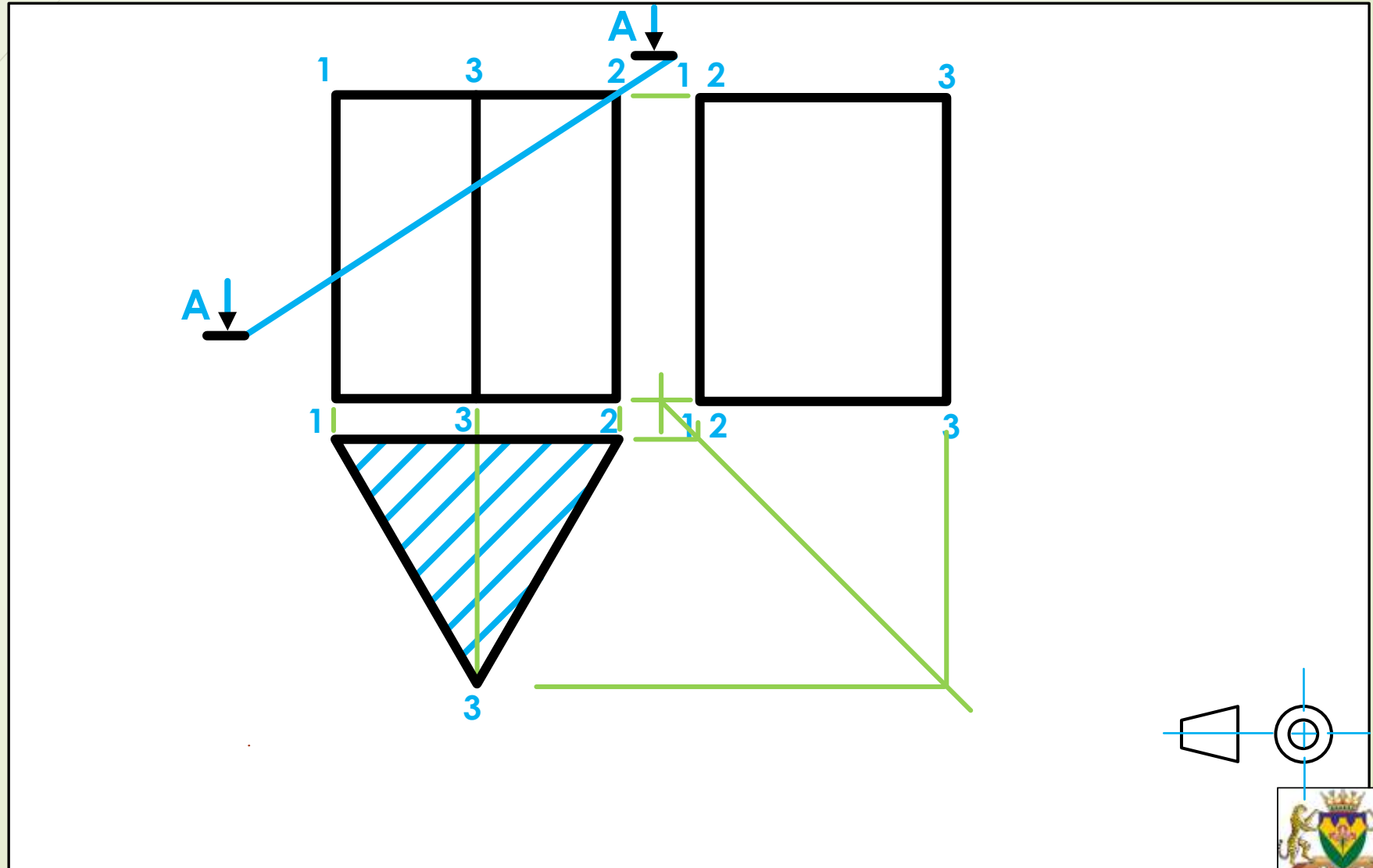
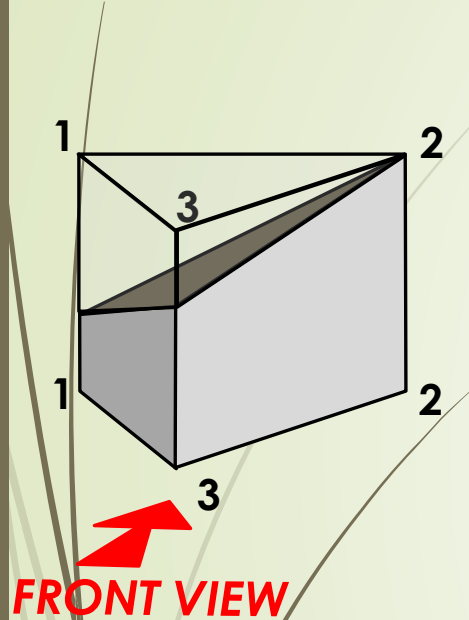
Sectioning through a right solid



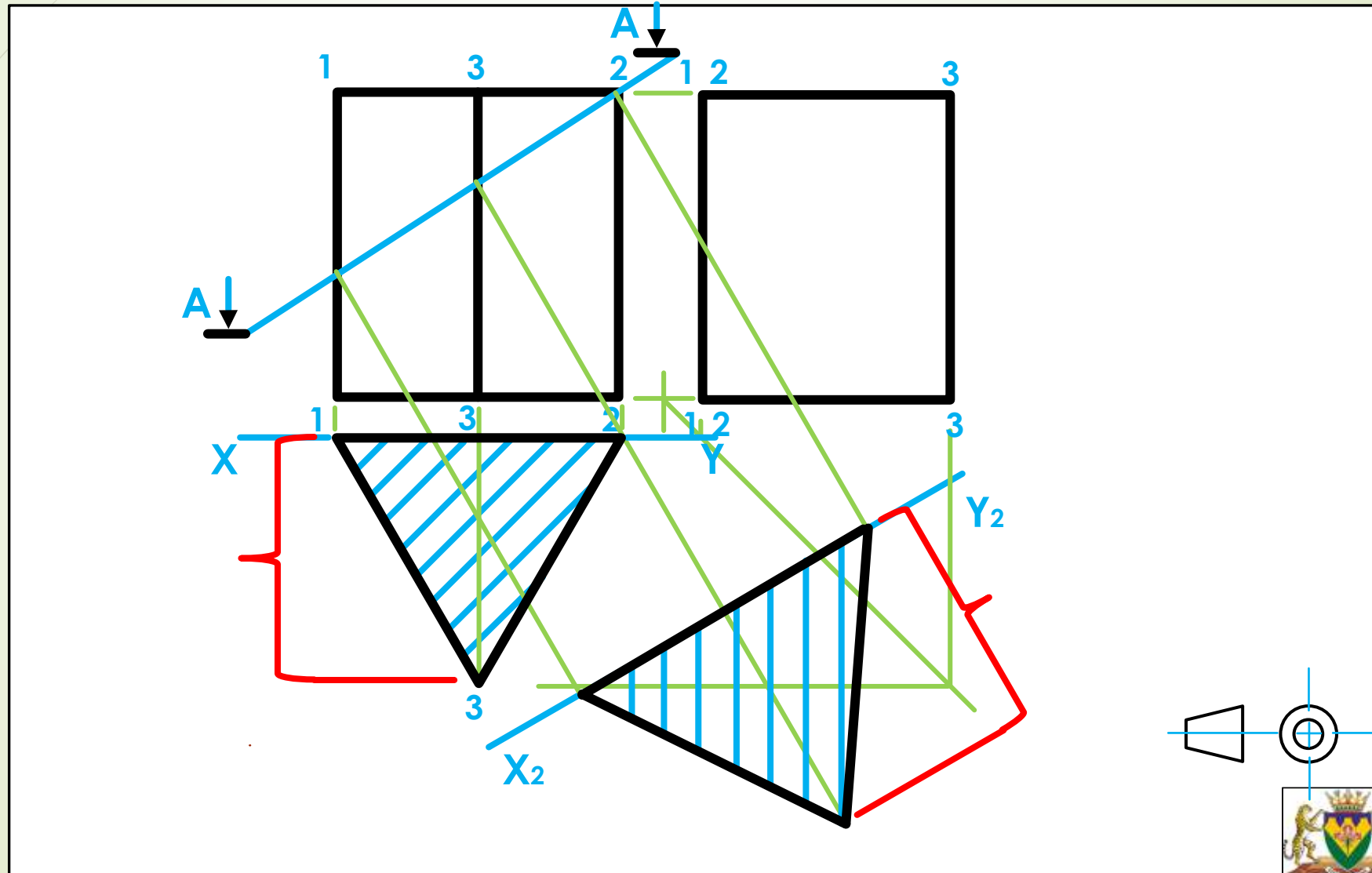
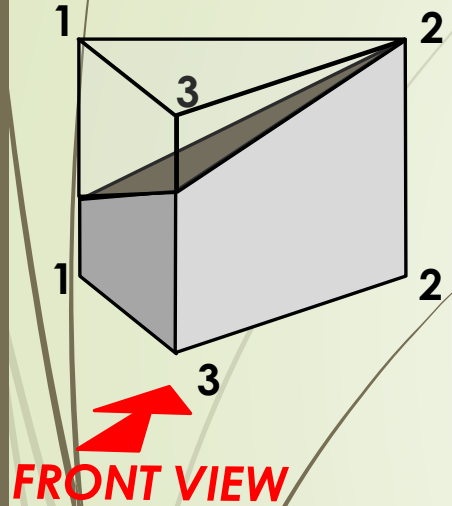
Sectioning through a right solid



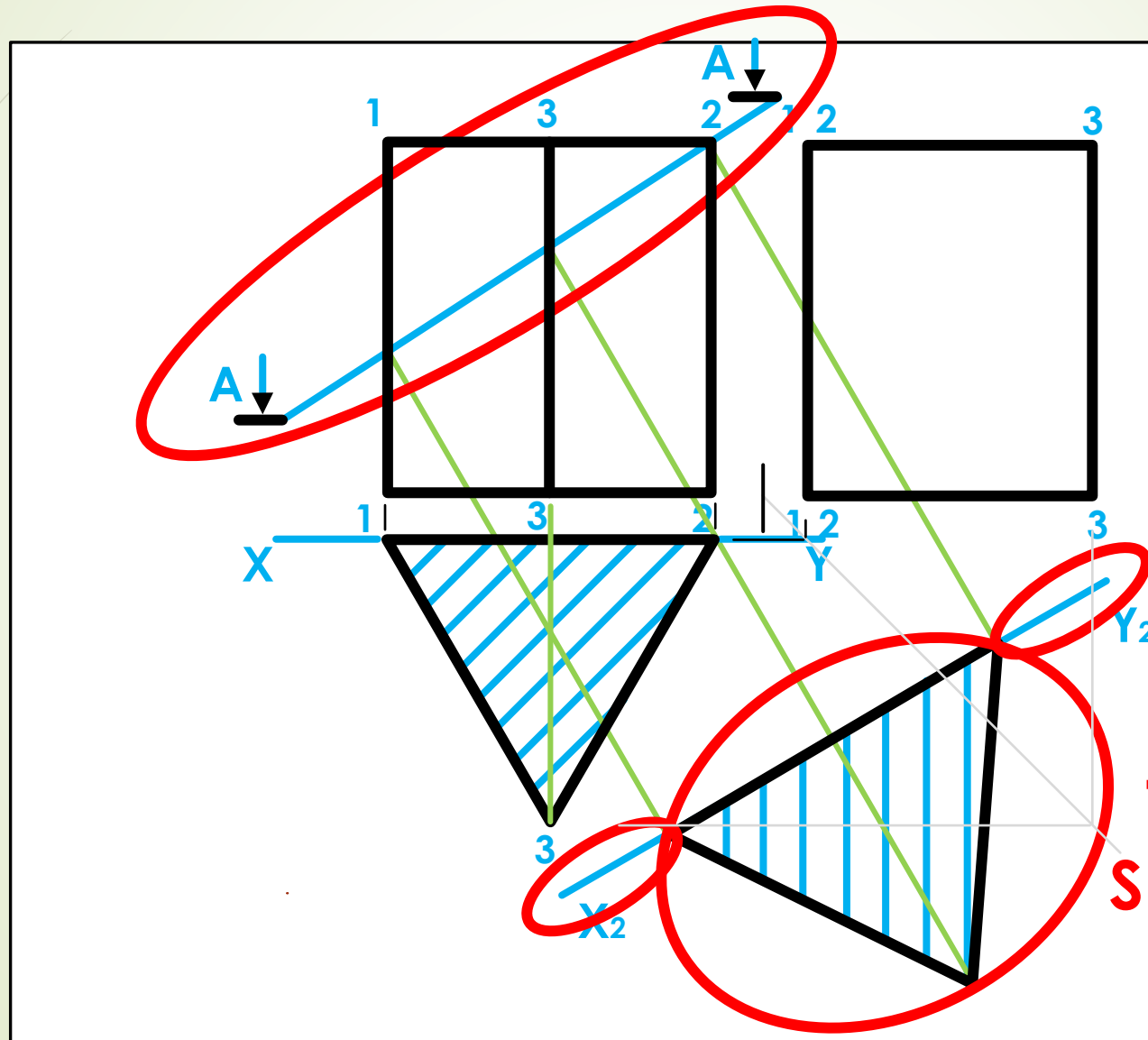
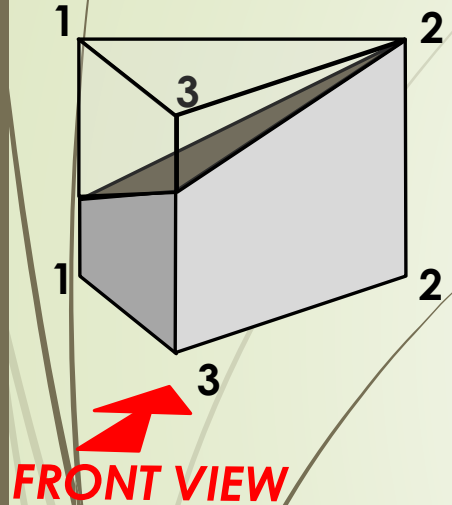
Sectioning through a right solid



True shape of the sectioned area



True shape of the sectioned area

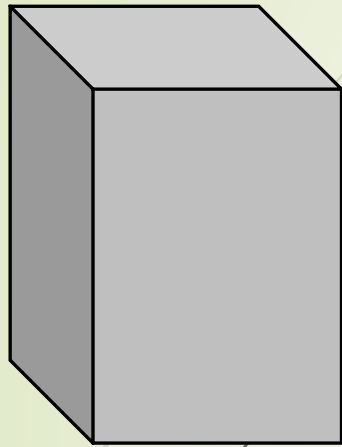


If the XY is drawn parallel with the cutting plane, the sectioned area will be the true shape

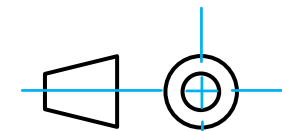
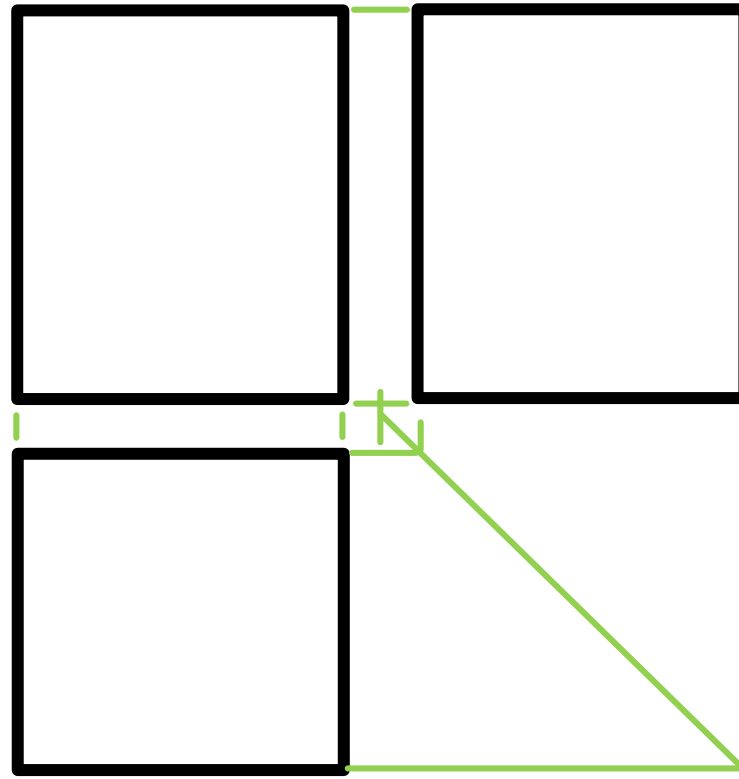
**True
Shape**



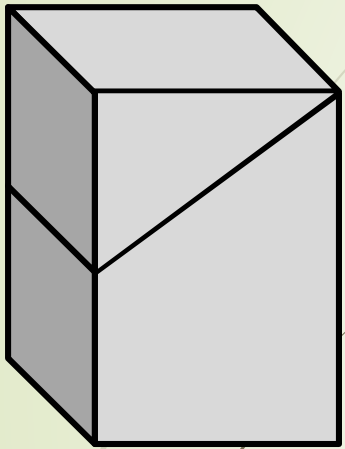
Sectioning through a right solid



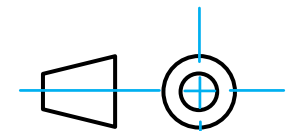
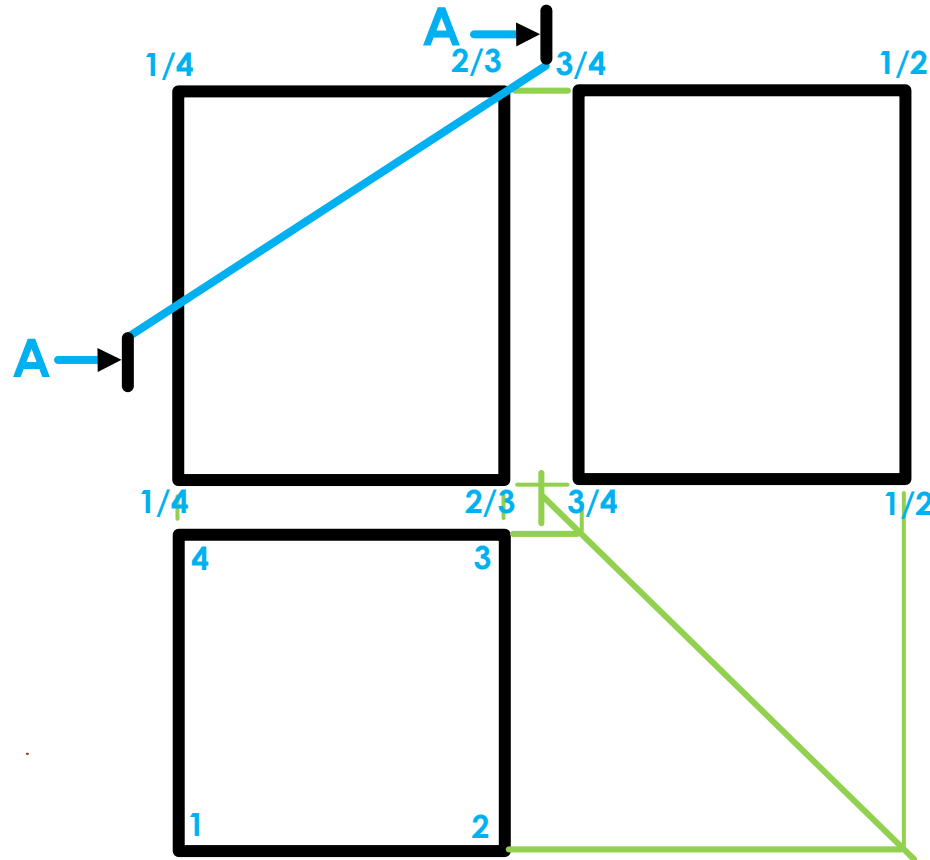
FRONT VIEW



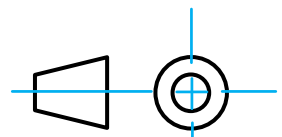
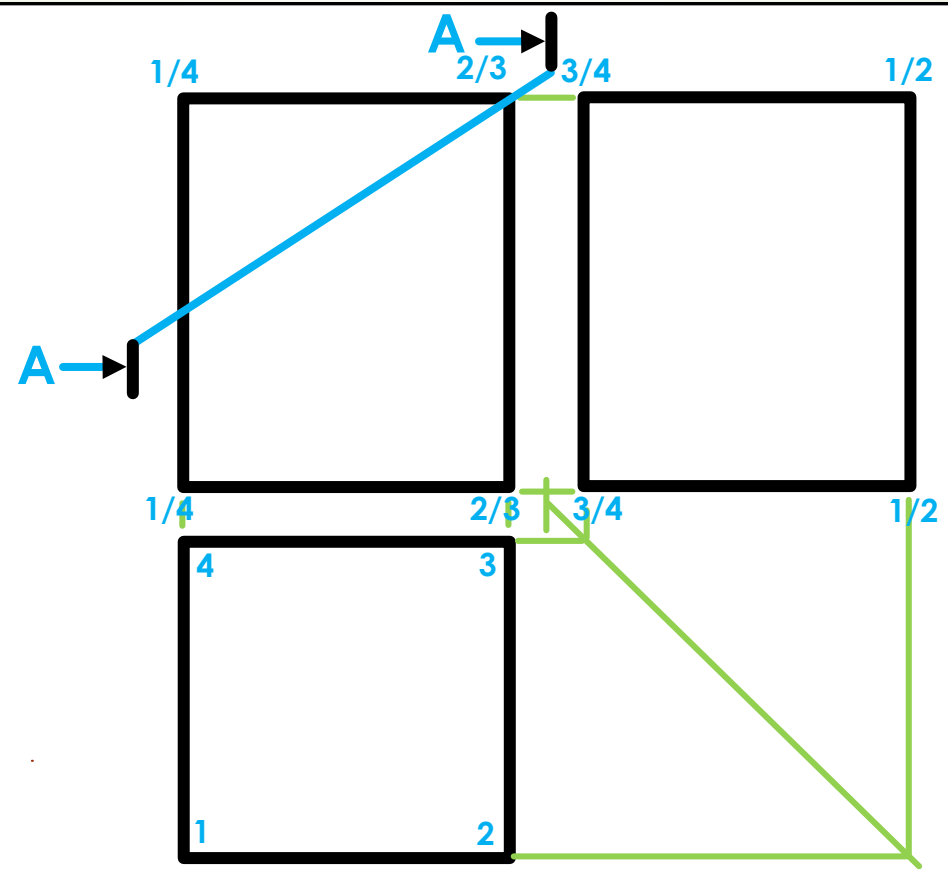
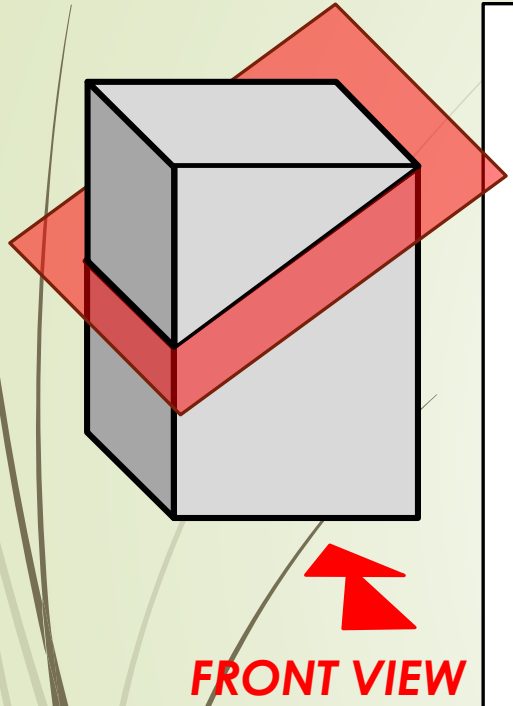
Sectioning through a right solid



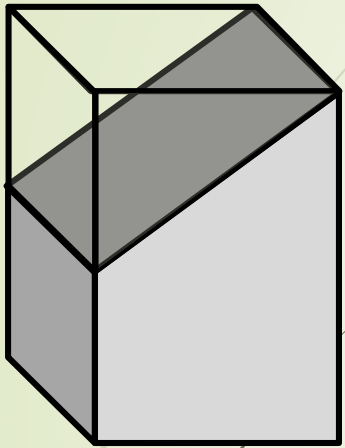
FRONT VIEW



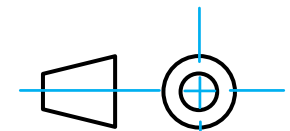
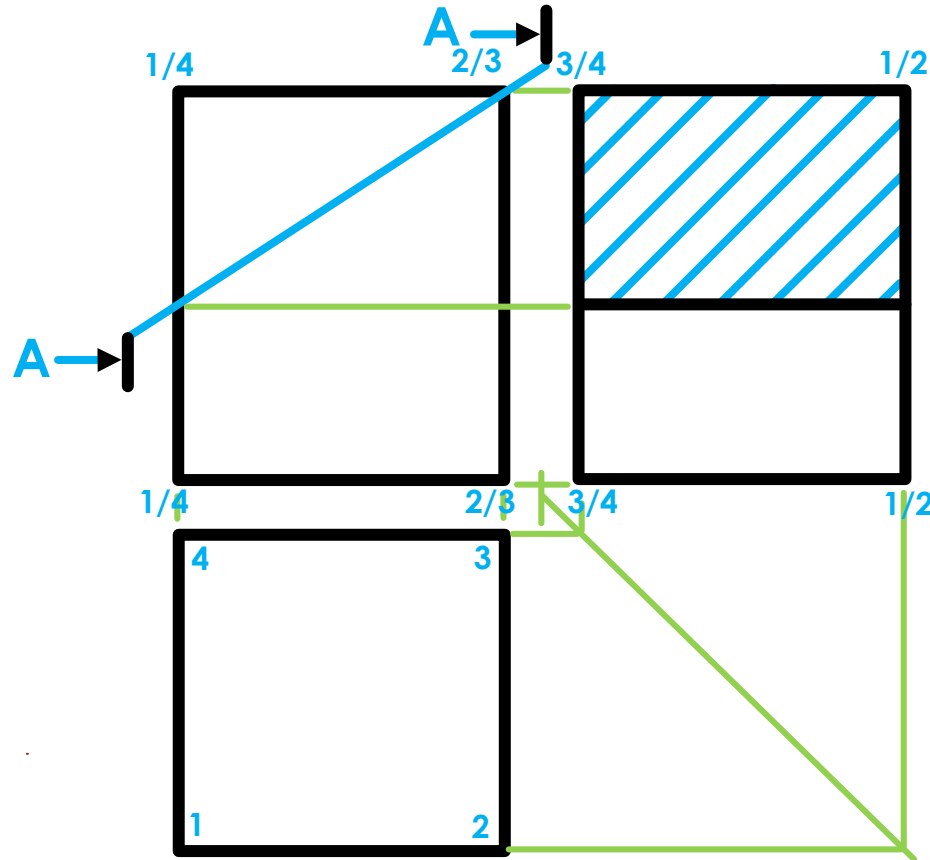
Sectioning through a right solid



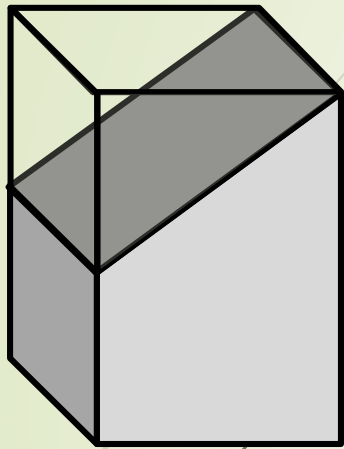
Sectioning through a right solid



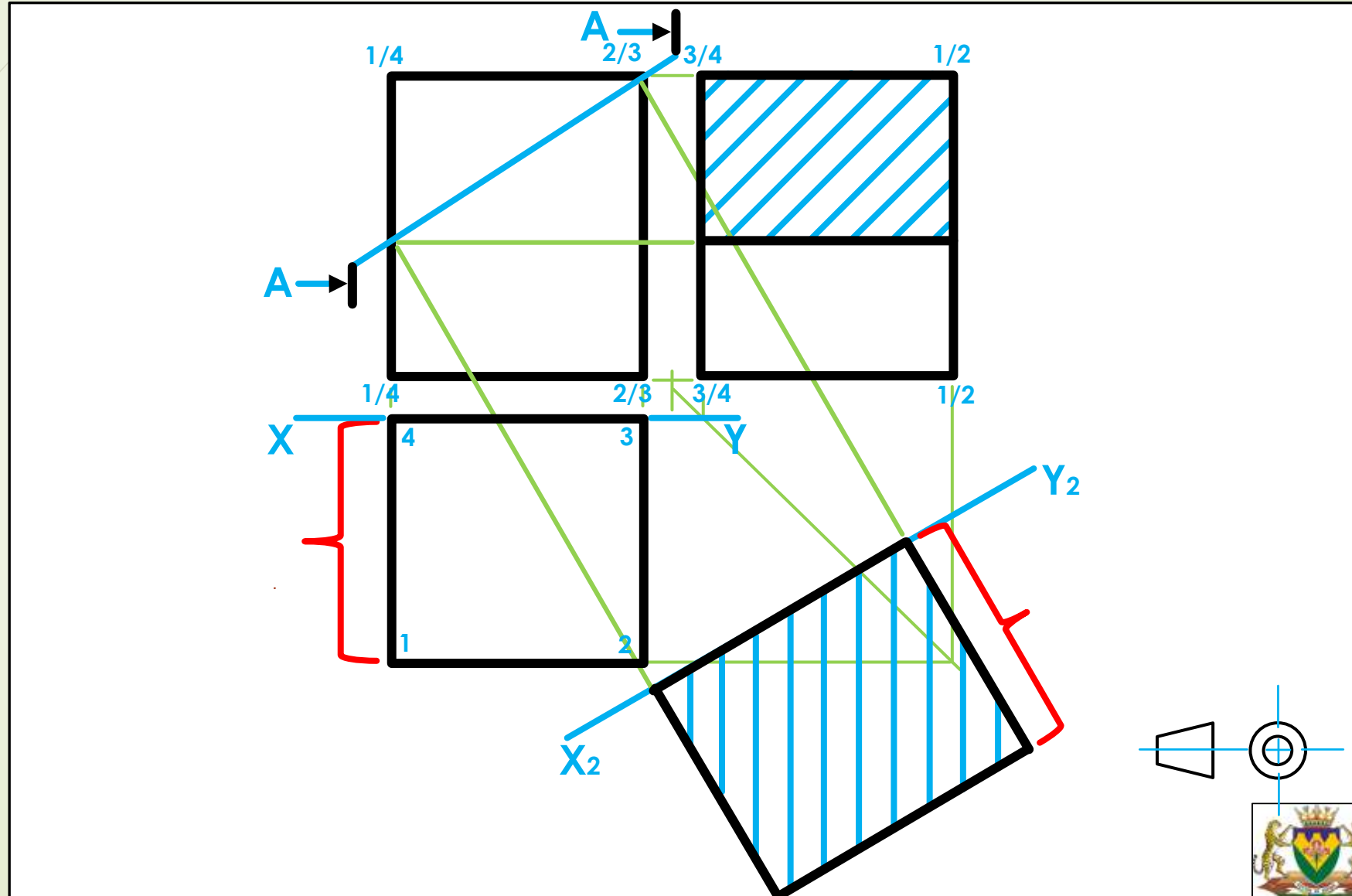
FRONT VIEW



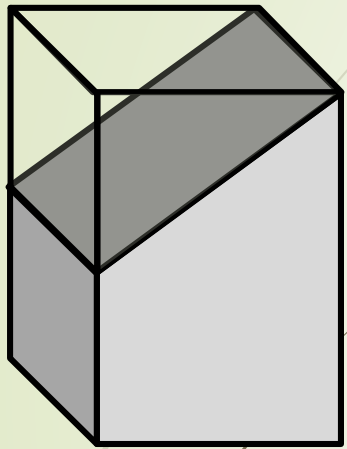
True shape of the sectioned area



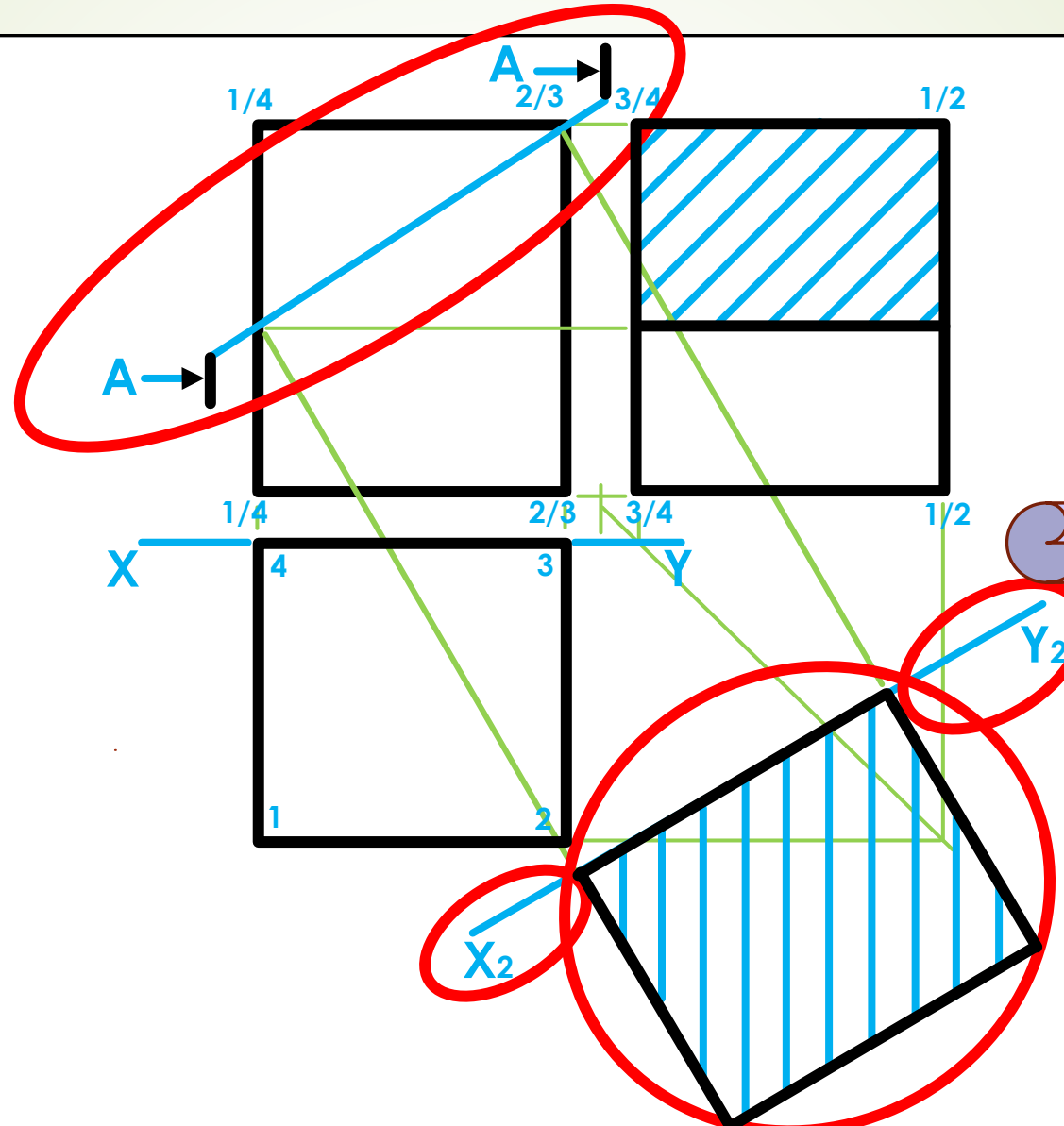
FRONT VIEW



True shape of the sectioned area

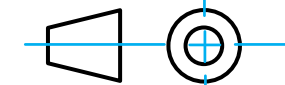


FRONT VIEW

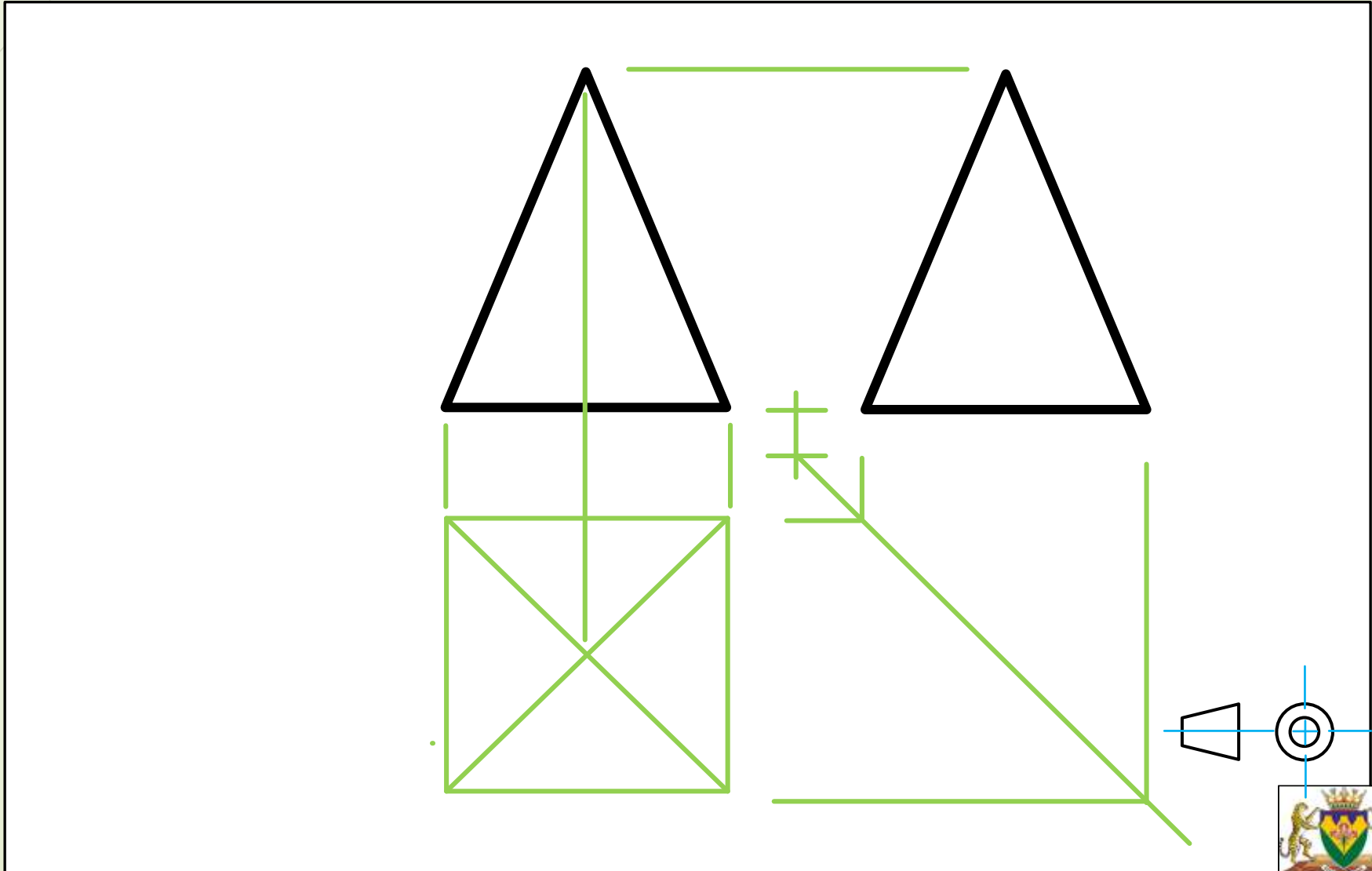
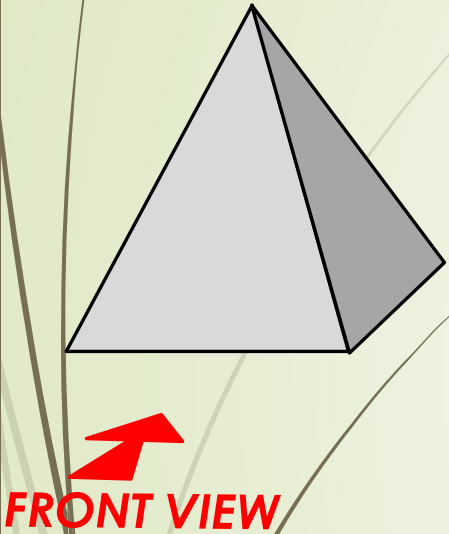


If the XY is drawn parallel with the cutting plane, the sectioned area will be the true shape

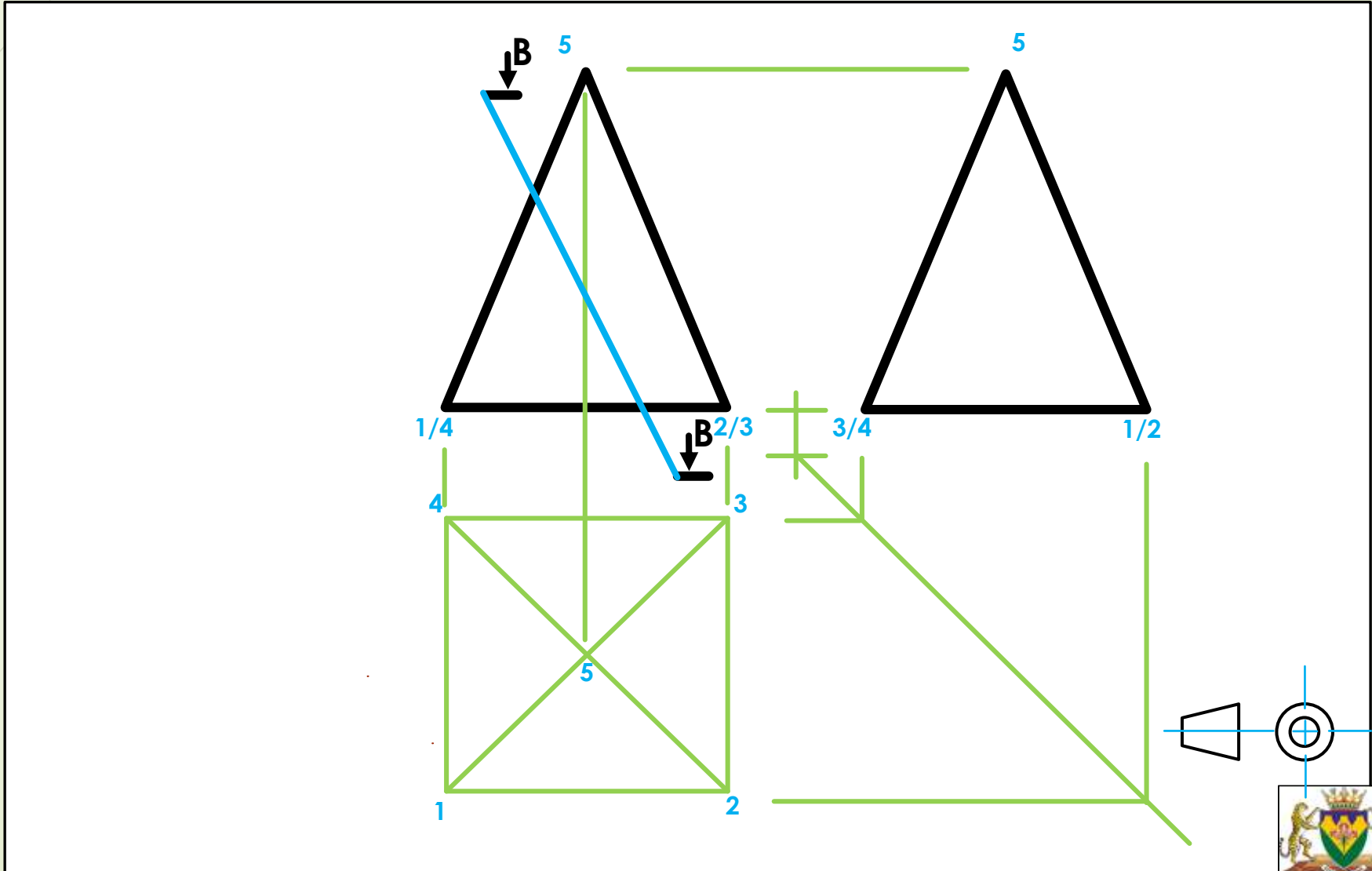
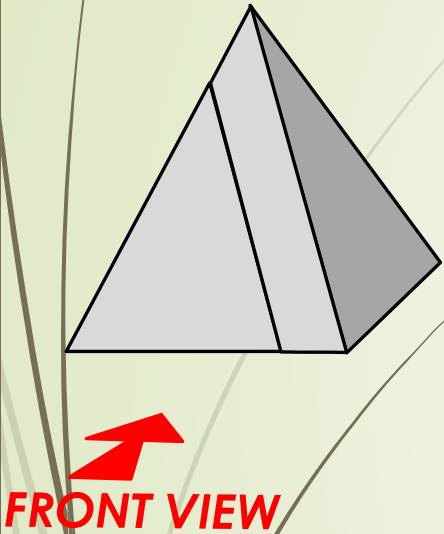
True Shape



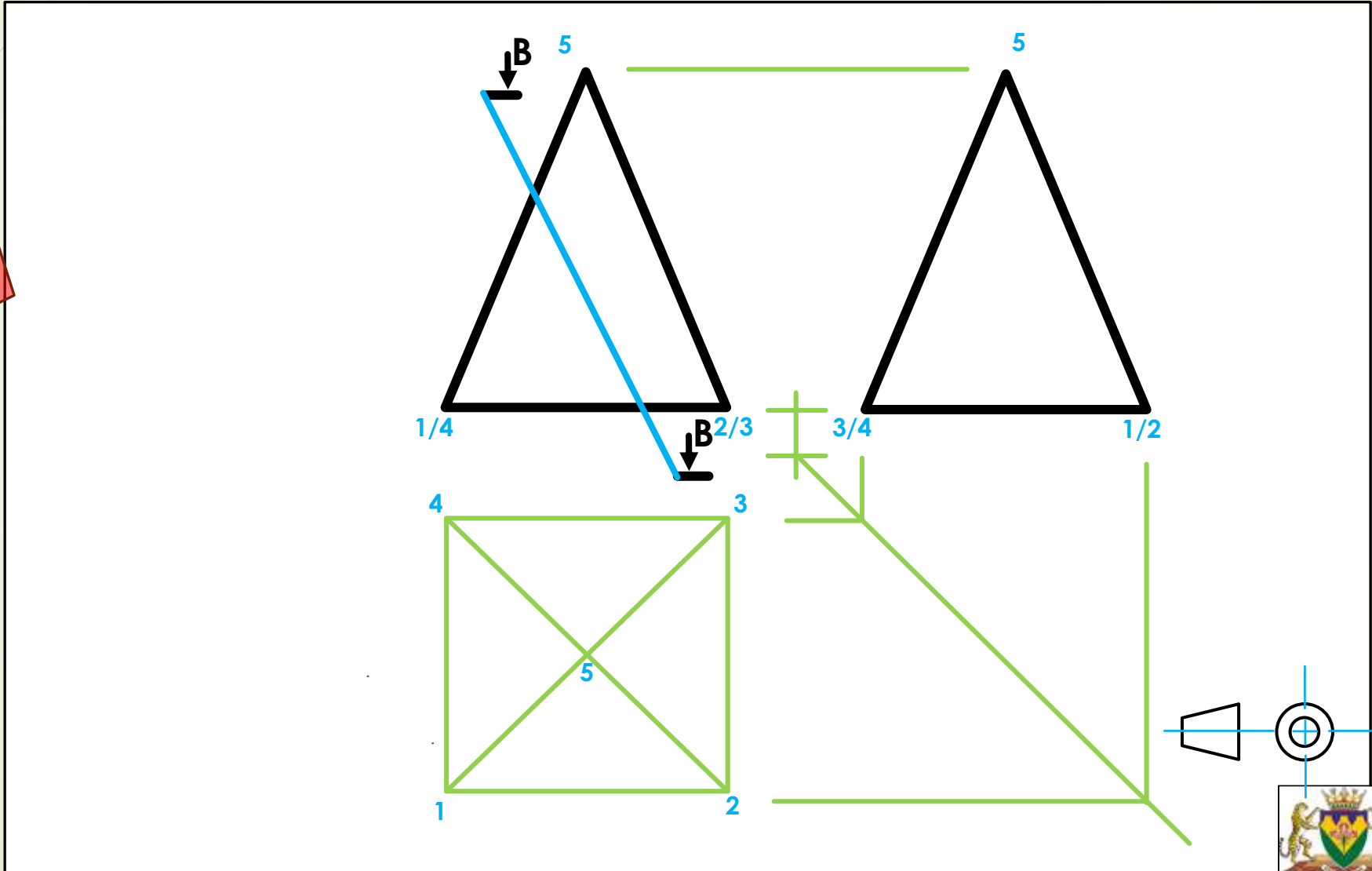
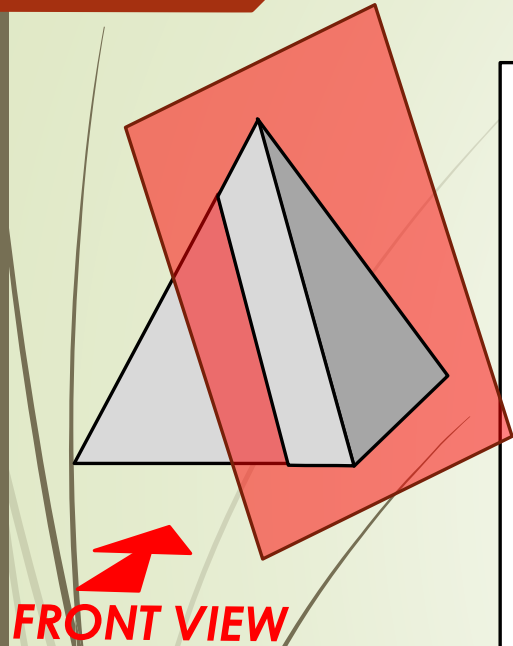
Application on polygons



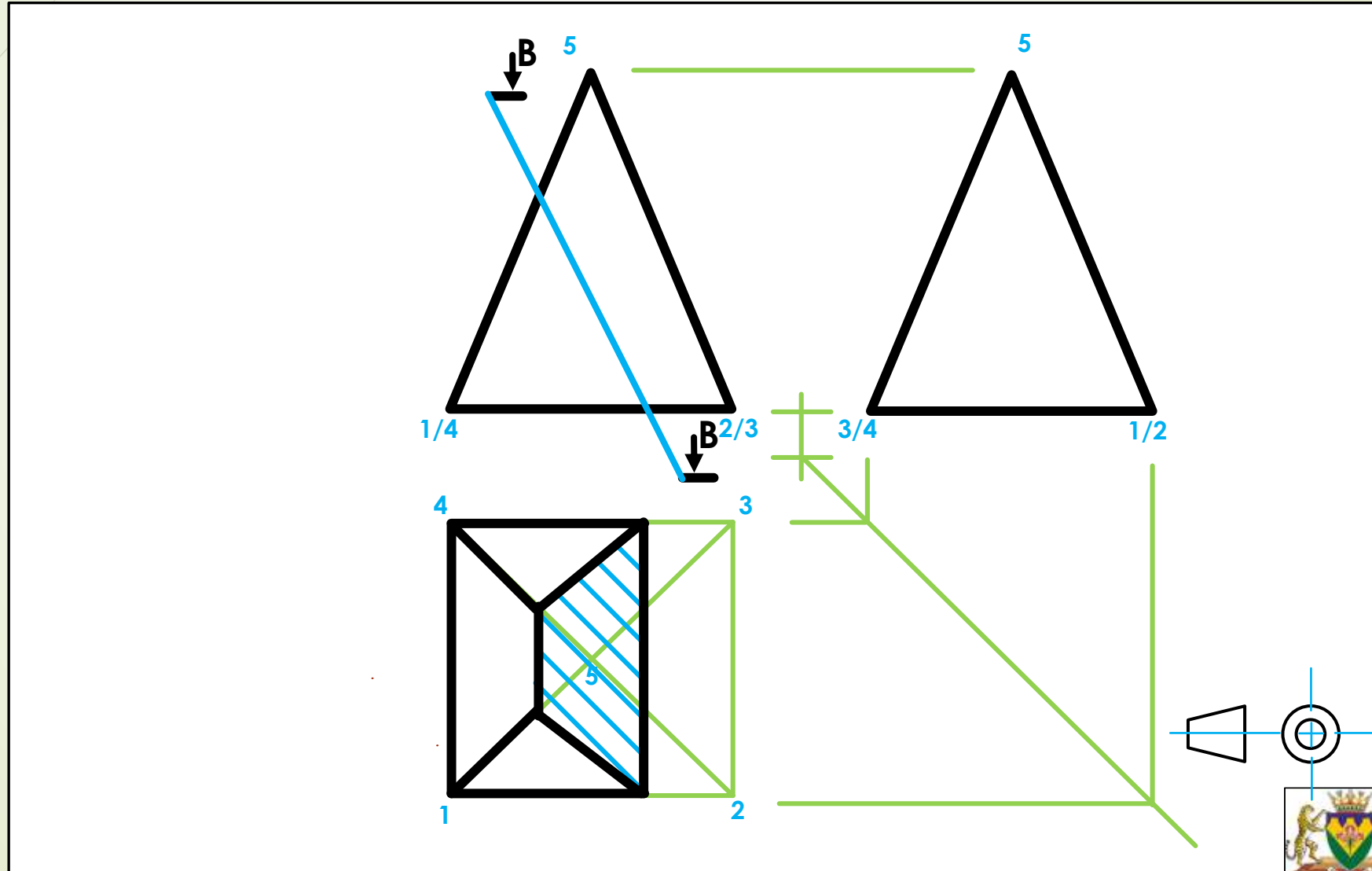
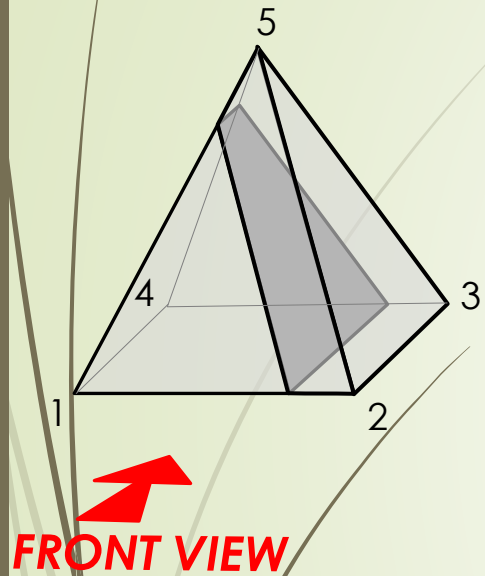
Application on polygons



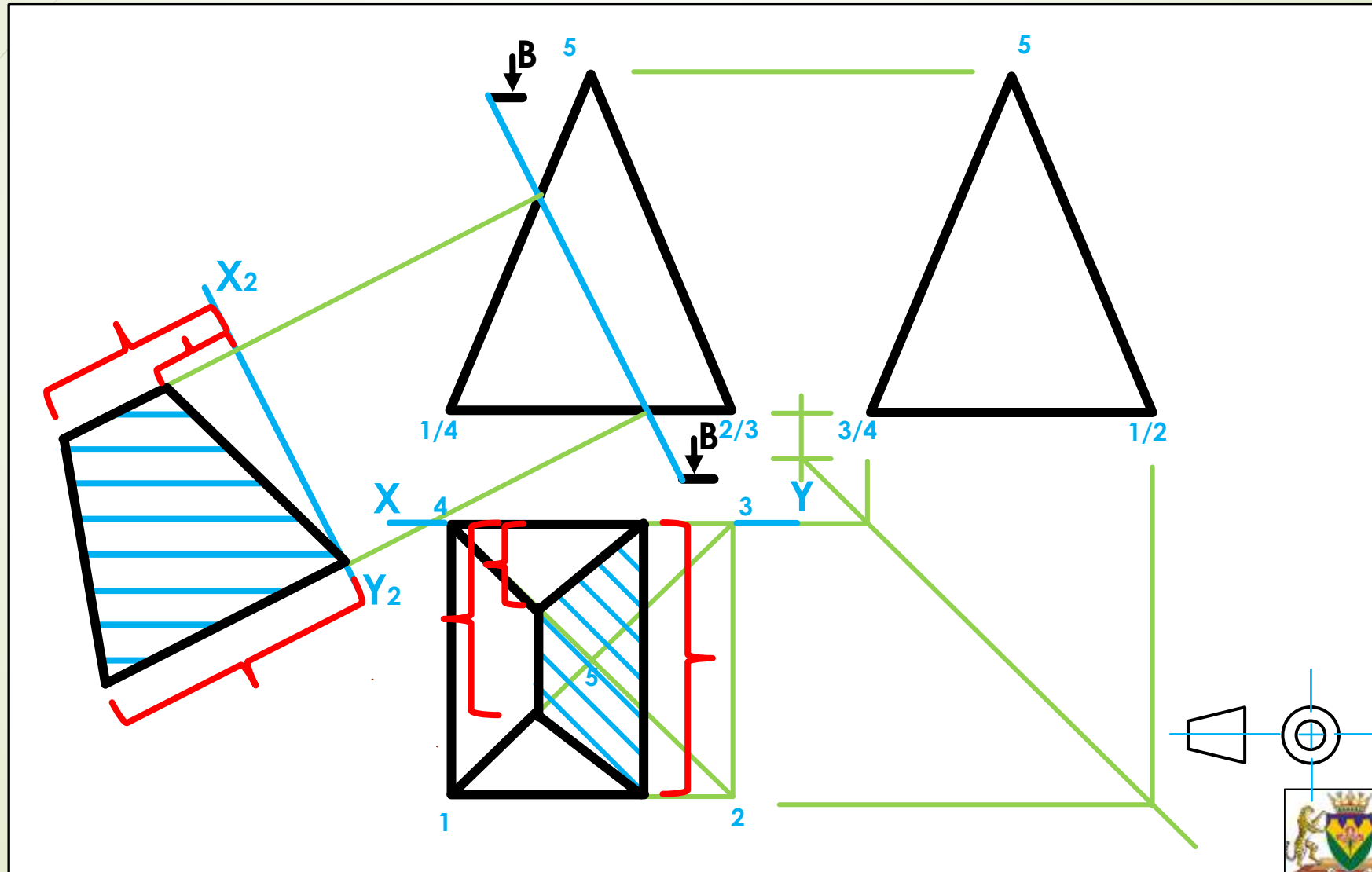
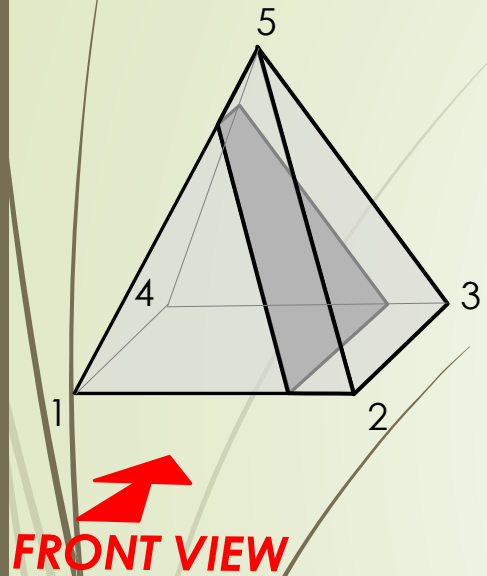
Application on polygons



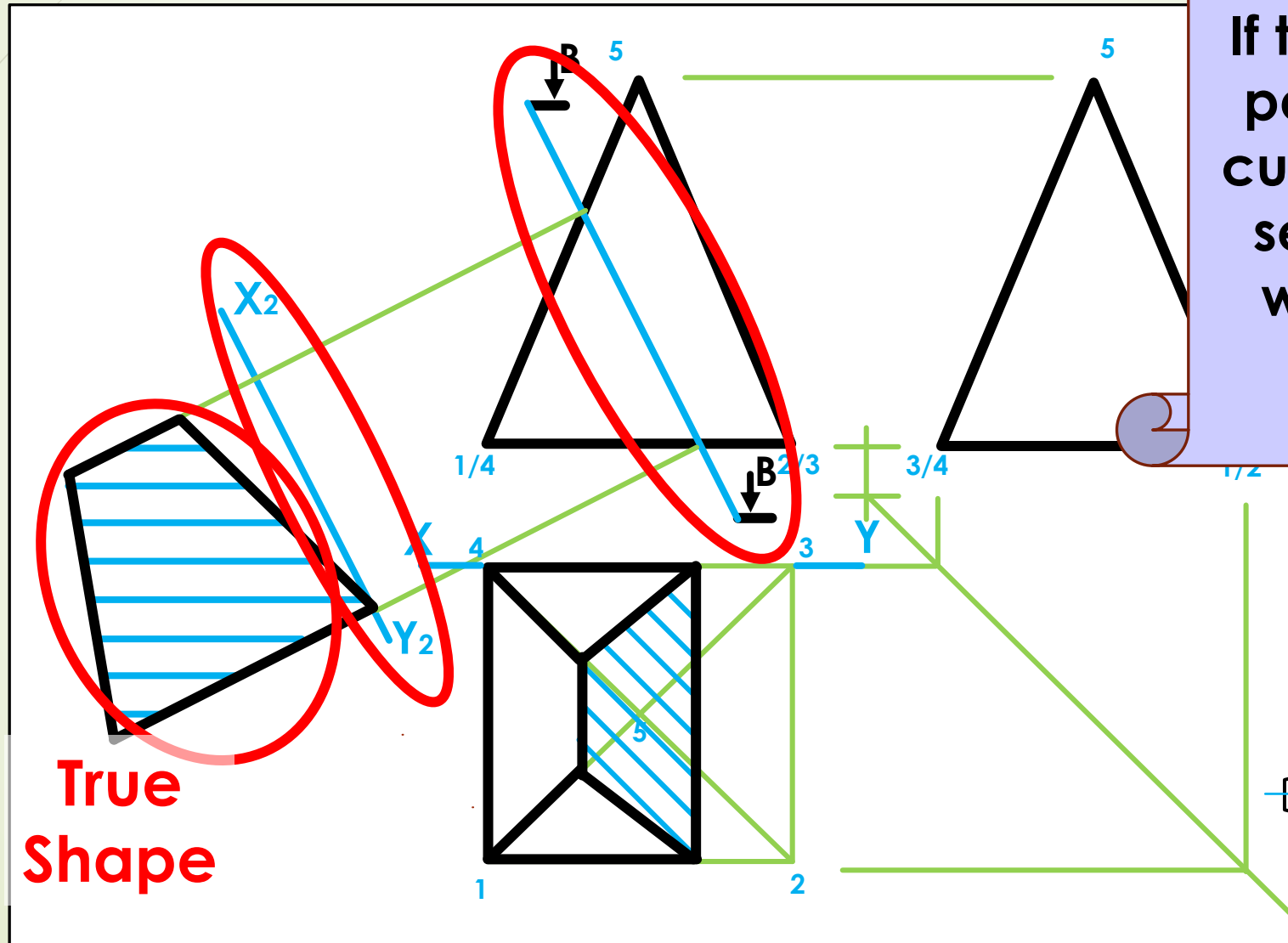
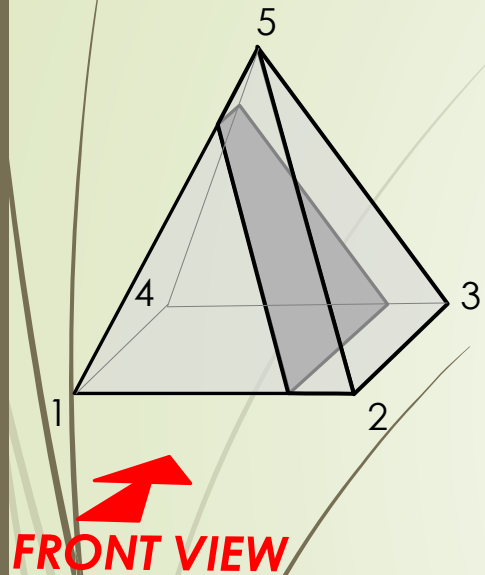
Application on polygons



Application on polygons



Application on polygons



If the XY is drawn parallel with the cutting plane, the sectioned area will be the true shape