

**QUESTION 2.1: SOLID GEOMETRY**

**Given:**

- The front view of an equilateral pentagonal pyramid with section line PQ.
- The base side length of the equilateral pentagonal pyramid is 25 mm.

**Instructions:**

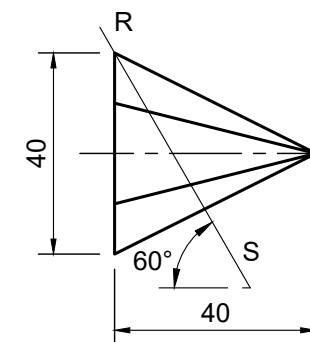
Draw to a scale of 1 : 1, the following views of the solid:

- 2.1 The given front view
- 2.2 A sectional top view
- 2.3 A sectional right view
- 2.4 The true shape of the sectioned area

**Note:**

- Planning is essential.
- Show all construction lines.
- Show all hidden detail.

ASSESSMENT CRITERIA			
1	SECTIONAL RIGHT VIEW	13	
2	FRONT VIEW	7	
3	SECTIONAL TOP VIEW	10	
4	TRUE SHAPE	8	
PENALTIES (-1)			
<b>TOTAL</b>		<b>38</b>	



**QUESTION 2.2: SOLID GEOMETRY**

**Given:**

- The front view of a equilateral hexagonal pyramid with section line RS.
- The distance at the base, from corner to corner of the equilateral hexagonal pyramid is 40 mm.

**Instructions:**

Draw to a scale of 1 : 1, the following views of the solid:

- 2.1 The given front view
- 2.2 A sectional top view
- 2.3 A sectional left view
- 2.4 The true shape of the sectioned area

**Note:**

- Planning is essential.
- Show all construction lines.
- Show all hidden detail.

ASSESSMENT CRITERIA			
1	SECTIONAL LEFT VIEW	15	
2	FRONT VIEW	7	
3	SECTIONAL TOP VIEW	11	
4	TRUE SHAPE	9	
PENALTIES (-1)			
<b>TOTAL</b>		<b>42</b>	



<b>SOLID GEOMETRY</b>	ESTIMATED TIME FOR COMPLETION	30 MIN	<b>GRADE 10</b>	NAME & SURNAME		TASK	PAGE
	YOUR TIME OF COMPLETION	MIN				7.25	2.25