

QUESTION 2.1: SOLID GEOMETRY

Given:

- The front view of a cylinder.
- Point S as the start position.

Instructions:

Draw to a scale of 1 : 1, the following views of the solid:

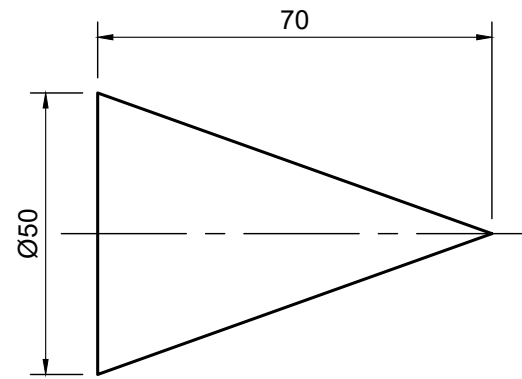
- 2.1 The given front view
- 2.2 The top view
- 2.3 The left view

Note:

- Planning is essential.
- Use point S as the start position on this diagram sheet.
- Show all construction lines.

+
S

ASSESSMENT CRITERIA			
1	AUXILIARY VIEW	12	
2	FRONT VIEW	6	
3	TOP VIEW	14	
4	LEFT VIEW	14	
PENALTIES (-1)			
TOTAL		46	



QUESTION 2: SOLID GEOMETRY

Given:

- The front view of a cone.
- The diameter of the cone is 50 mm (Ø50) and the width is 70 mm.

Instructions:

Draw to a scale of 1 : 1, the following views of the solid:

- 2.1 The given front view
- 2.2 The top view
- 2.3 The left view

Note:

- Planning is essential.

ASSESSMENT CRITERIA			
1	TOP VIEW	5	
2	FRONT VIEW	5	
3	RIGHT VIEW	5	
PENALTIES (-1)			
TOTAL		15	



SOLID GEOMETRY

ESTIMATED TIME FOR COMPLETION

30 MIN

GRADE

10

NAME &
SURNAME

TASK

8.2

PAGE

2.27