

QUESTION 2.2: SOLID GEOMETRY

Given:

- The front view of a cone with section line RS.

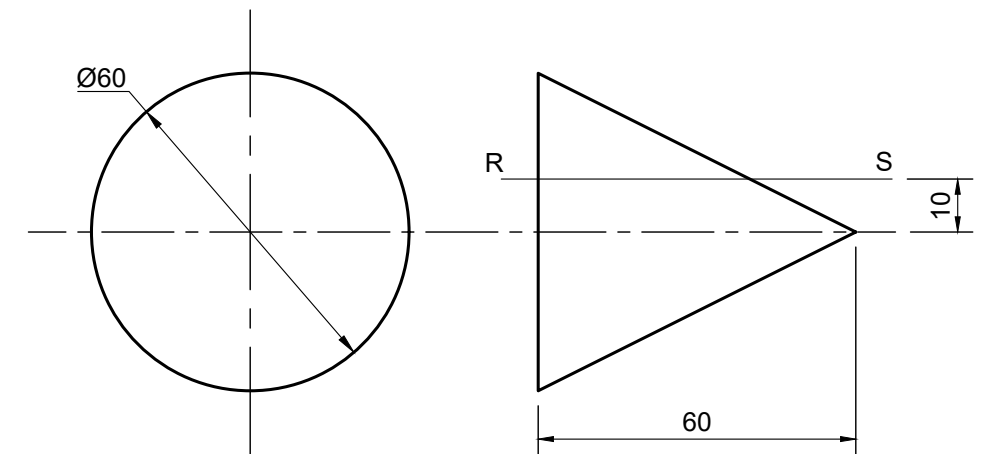
Instructions:

Draw to a scale of 1 : 1, the following views of the solid:

- 2.1 The given front view
- 2.2 A sectional top view
- 2.3 The left view

Note:

- Planning is essential.
- Show all construction lines.



ASSESSMENT CRITERIA			
1	LEFT VIEW	7	
2	FRONT VIEW	5	
3	SECTIONAL TOP VIEW	13	
PENALTIES (-1)			
TOTAL		25	



SOLID GEOMETRY	ESTIMATED TIME FOR COMPLETION	30 MIN	GRADE 10	NAME & SURNAME		TASK 8.3	PAGE 2.28
	YOUR TIME OF COMPLETION	MIN					