

# THE CONSTRUCTION INDUSTRY CIVIL DRAWINGS

Developed by: PC Viljoen  
Senior Educational Specialist for  
Engineering Graphics and Design  
Free State Province



# GENERAL INFORMATION

- Electrical distribution symbol keys showing the following:
  - Ceiling mounted light fittings.
  - Waterproof wall mounted lights.
  - 15A plugs.
  - Geyser point.
  - Stove.
  - Distribution box

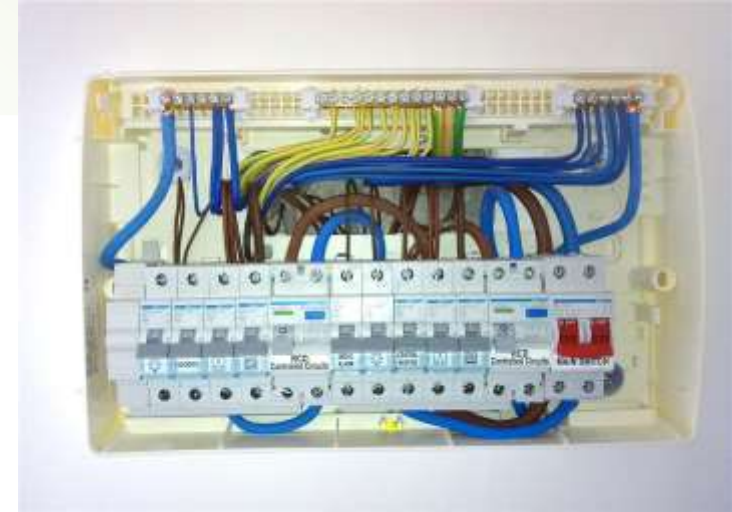
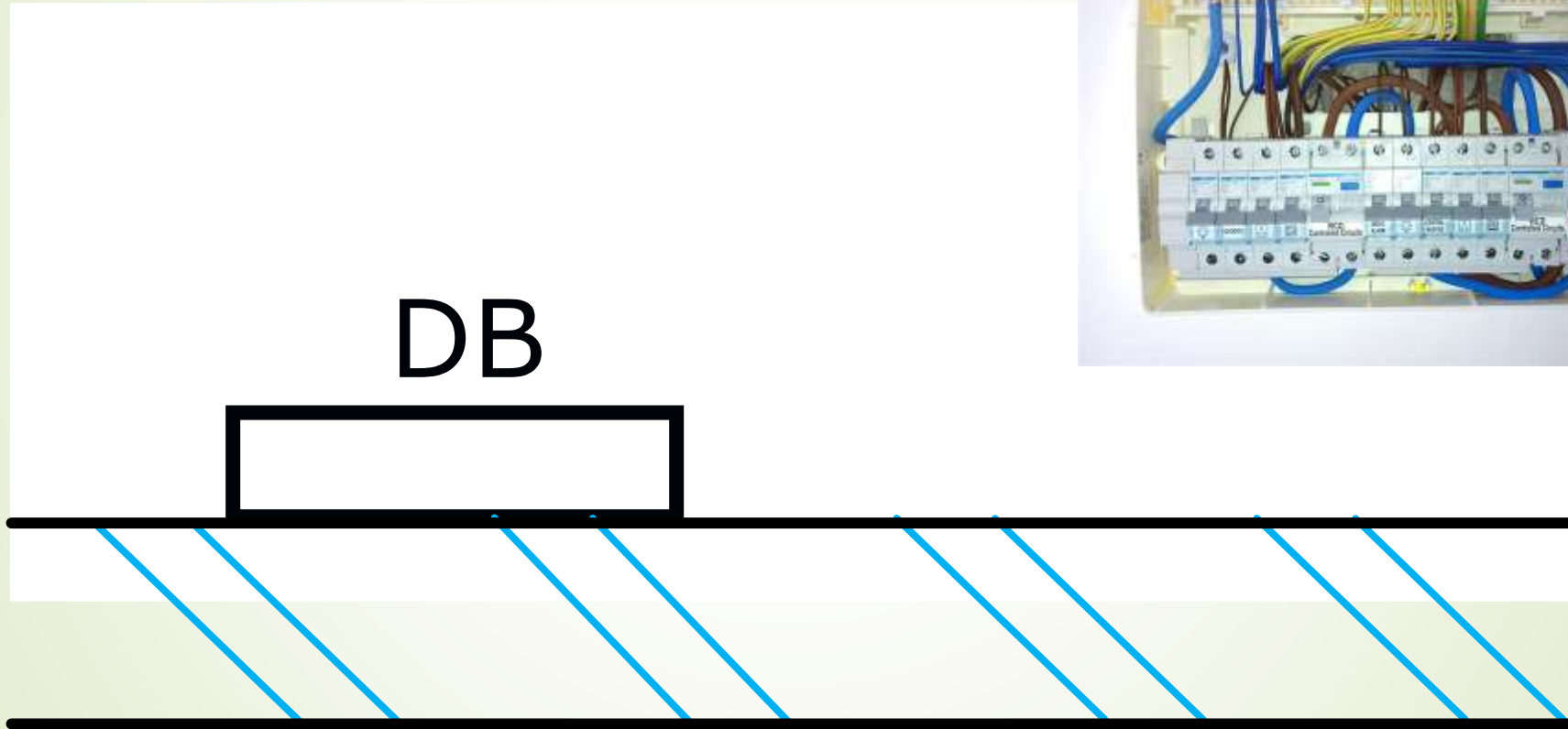
# ELECTRICAL

- On the floor plan the position of the following components must be shown.
  - (main board),
  - distribution board,
  - lights,
  - plugs and
  - switches.

# DISTRIBUTION BOARD

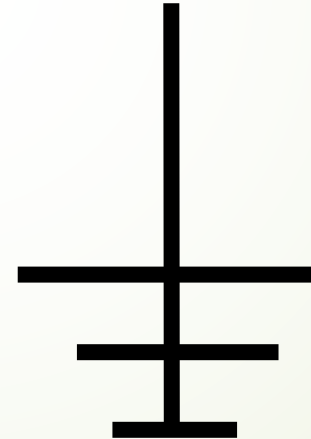
- This board houses all ...
  - Trip switches for the various circuits
  - The earth leakage relay or unit
  - Timers
  - Electrical meters.

# DISTRIBUTION BOARD

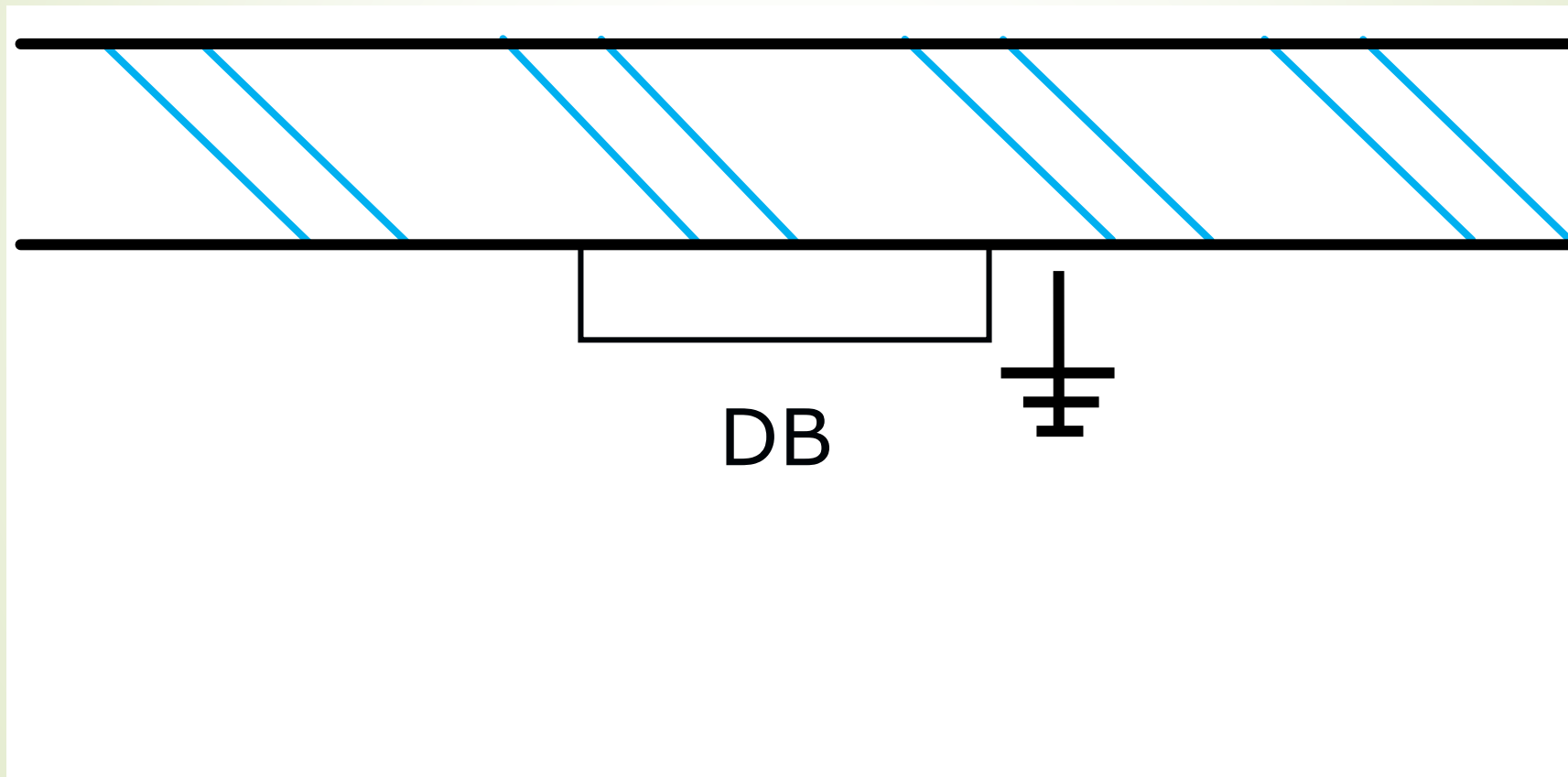


# EARTH

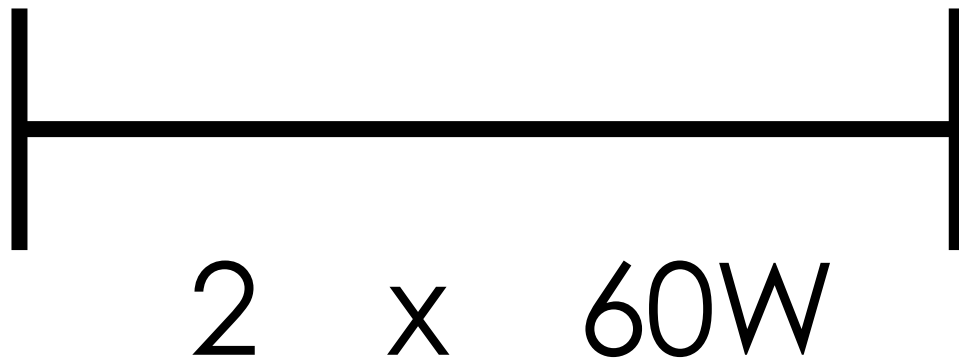
- ➔ This unit detects a leakage of electricity down to earth.



# EARTH



# 2 X FLUORESCENT LIGHTS (40W)



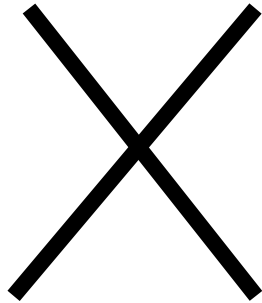
2 x 60W



education

Department of  
Education  
FREE STATE PROVINCE

# HANGING CEILING LIGHTS

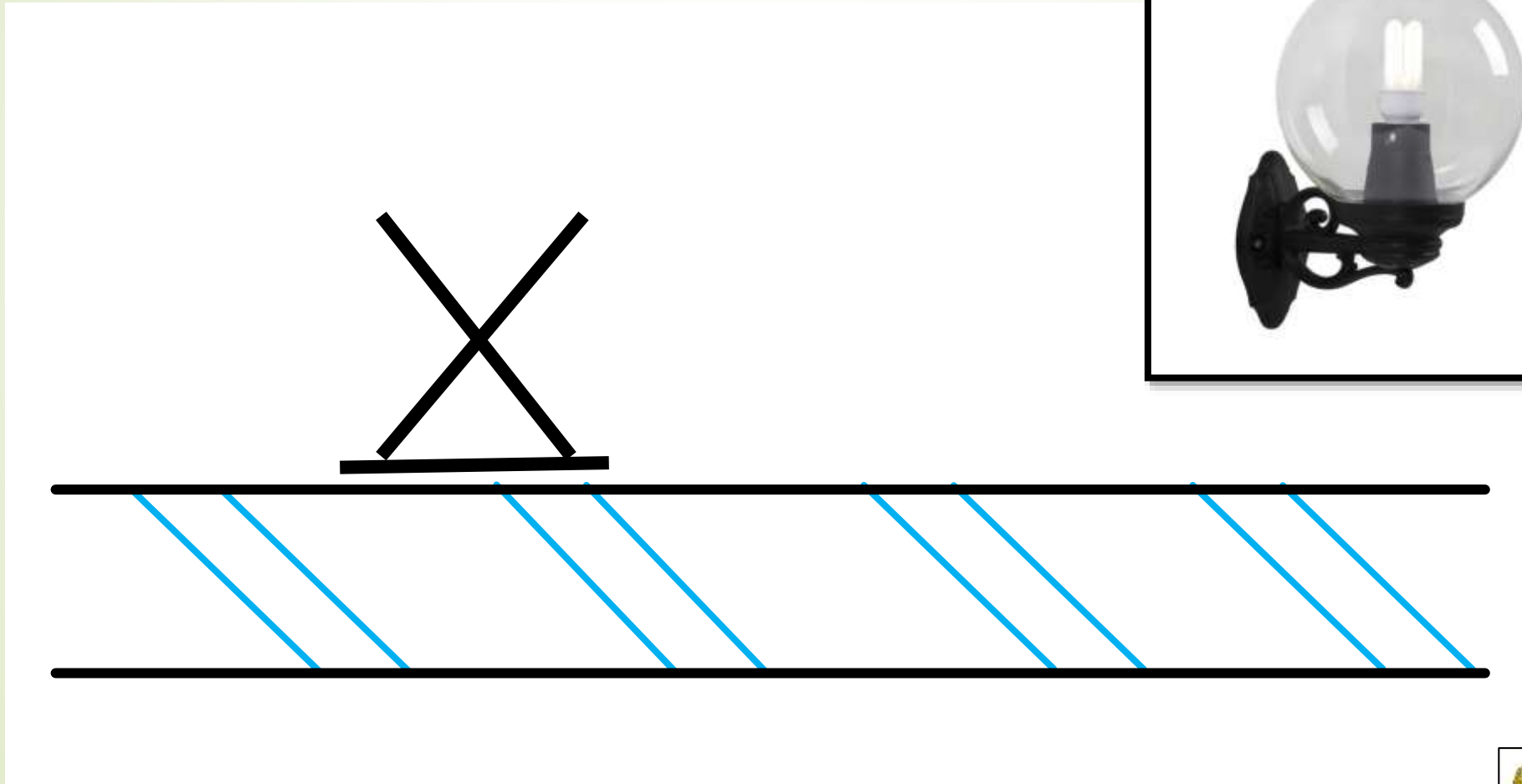


# 3 X HANGING CEILING LIGHTS (40 W)



3 X 40W

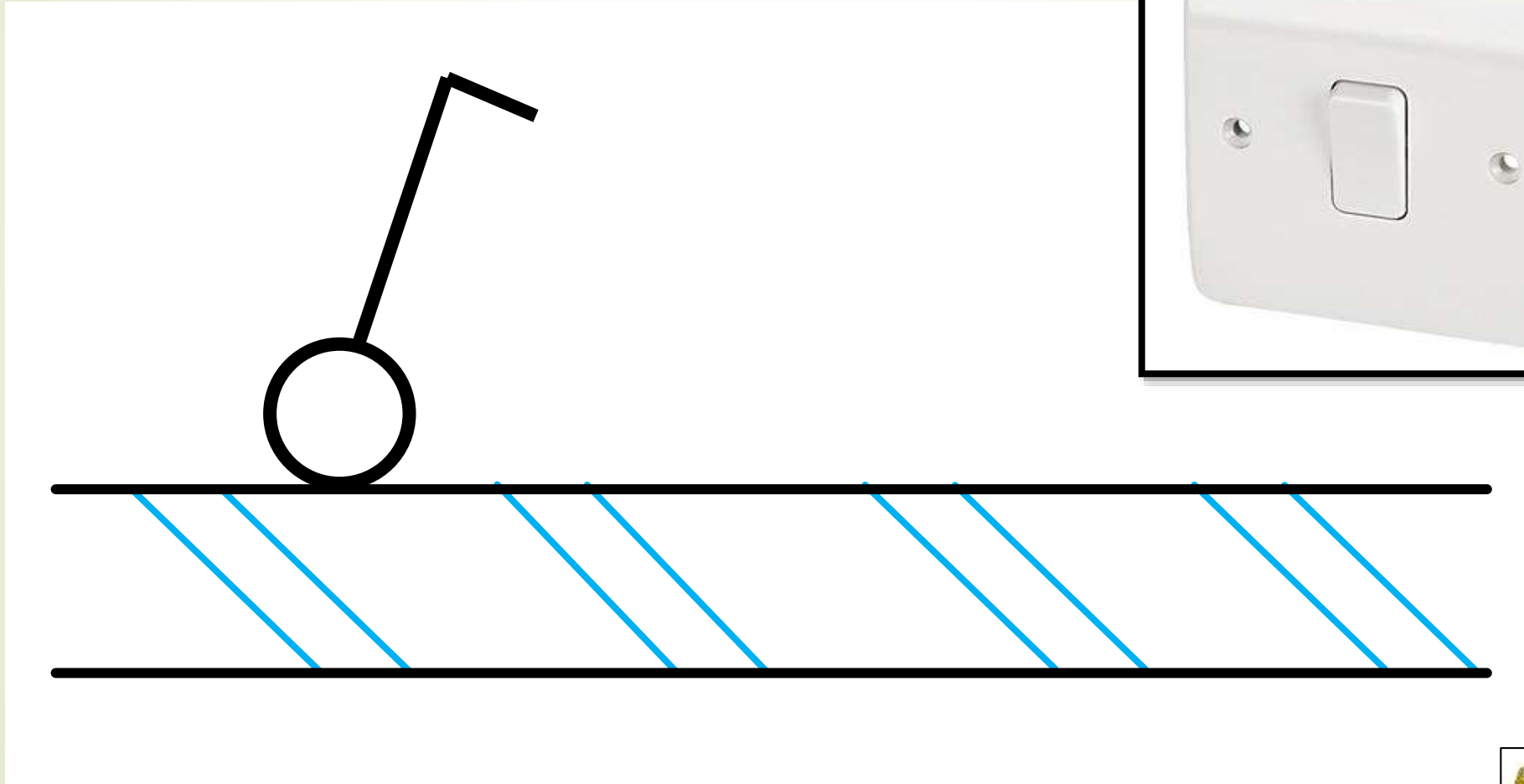
# WALL MOUNTED LIGHTS



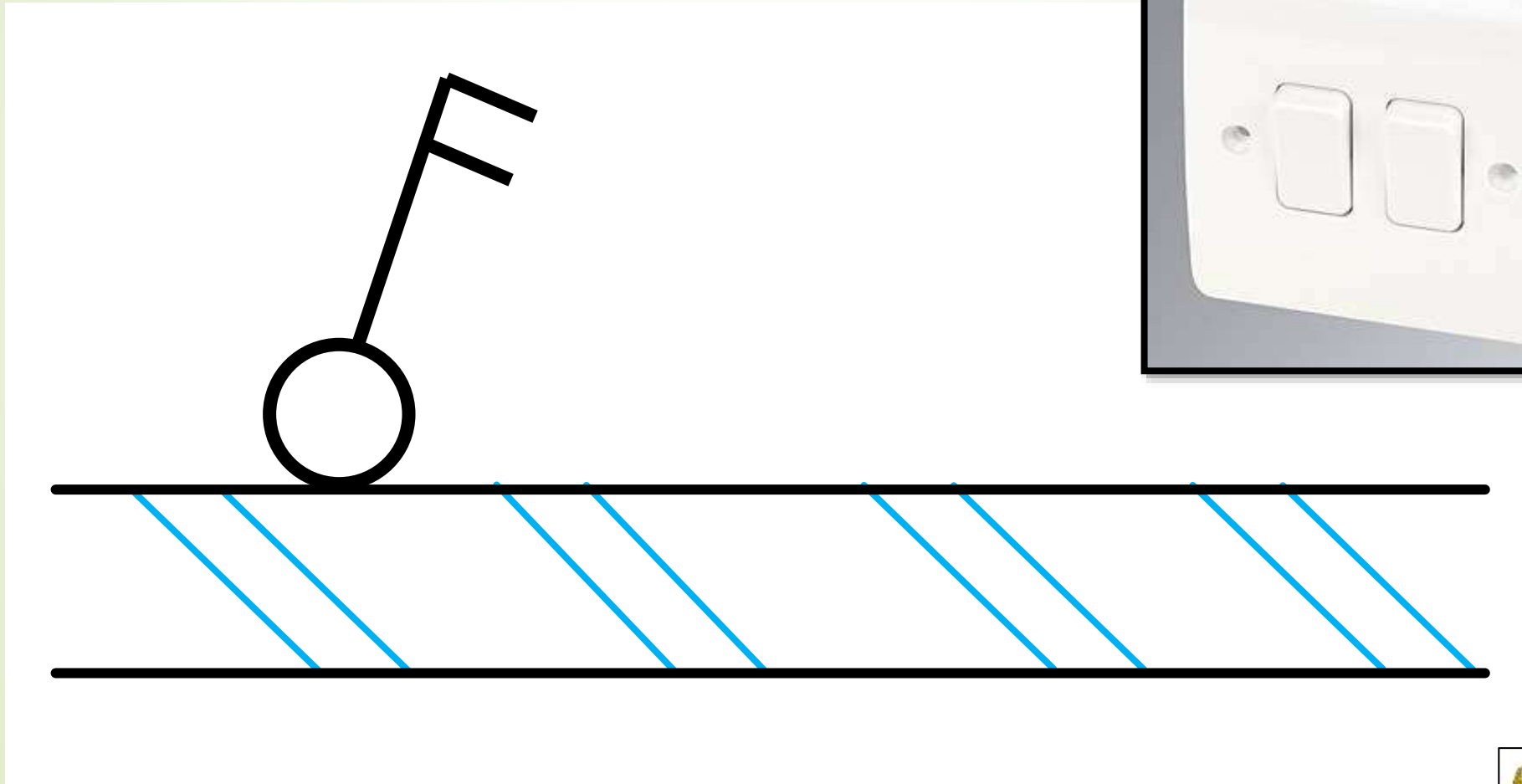
# SWITCHES

- This device comes in various shapes and is used to break the flow of current in a circuit

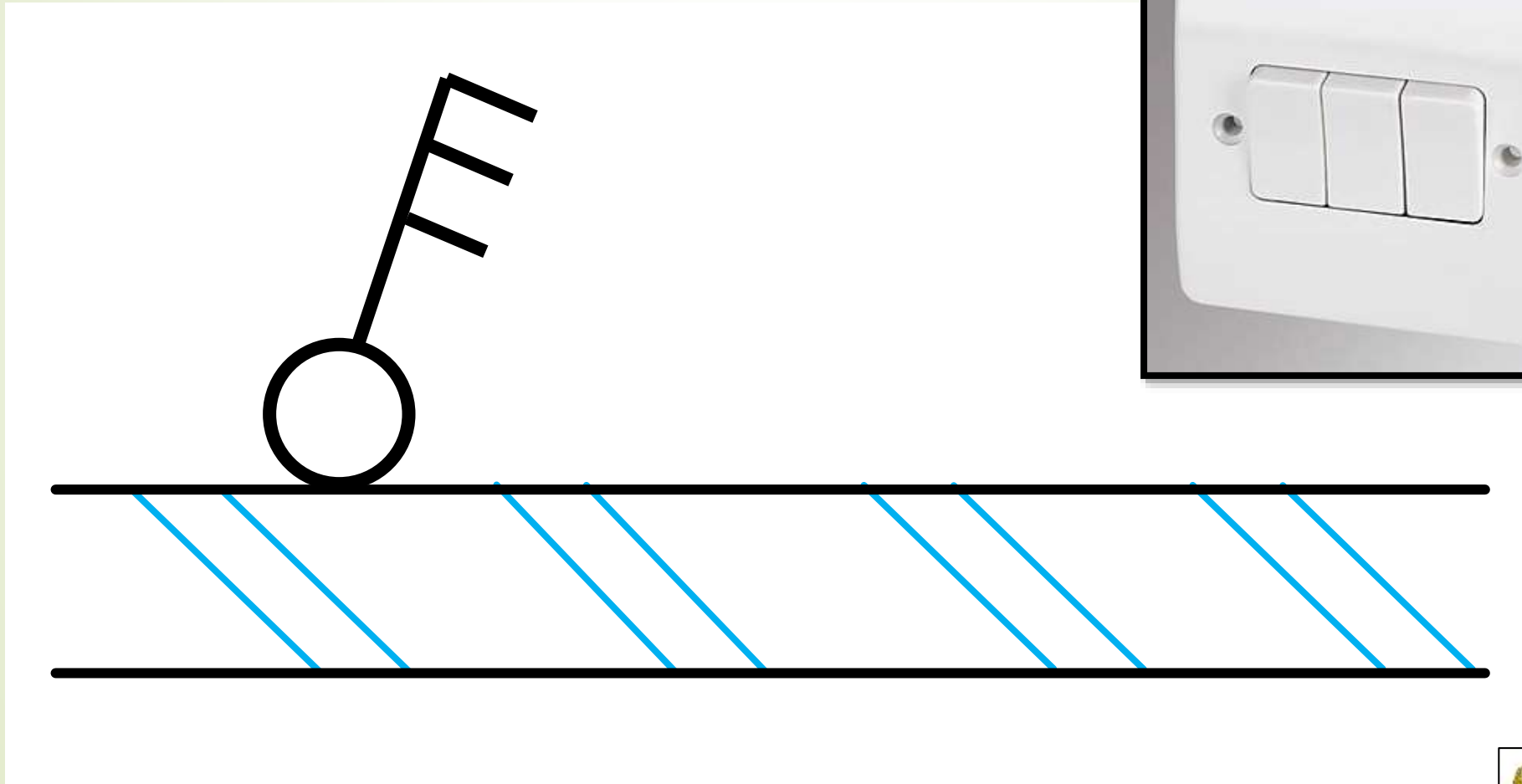
# ONE WAY SWITCH – ONE POLE



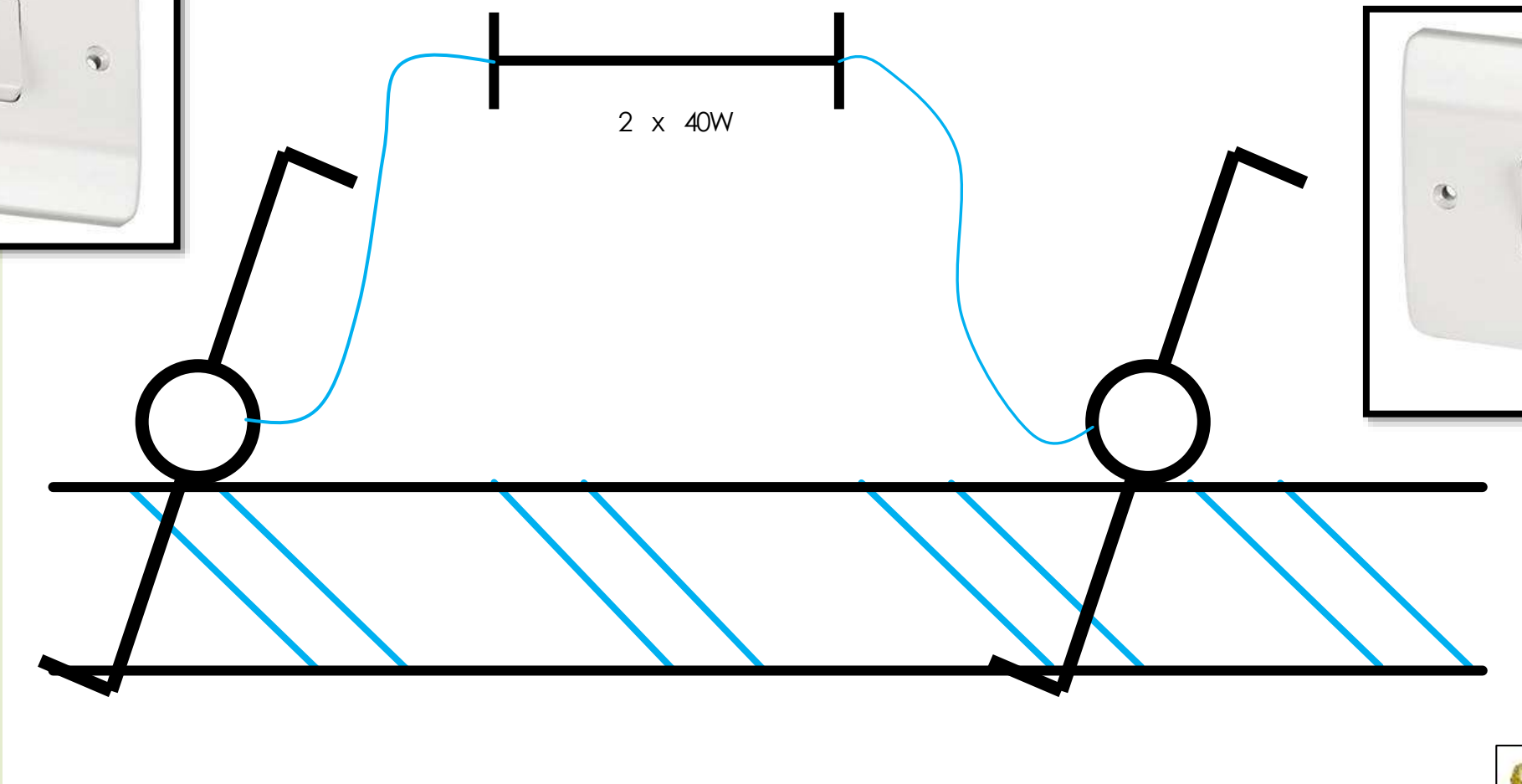
# ONE WAY SWITCH – TWO POLE



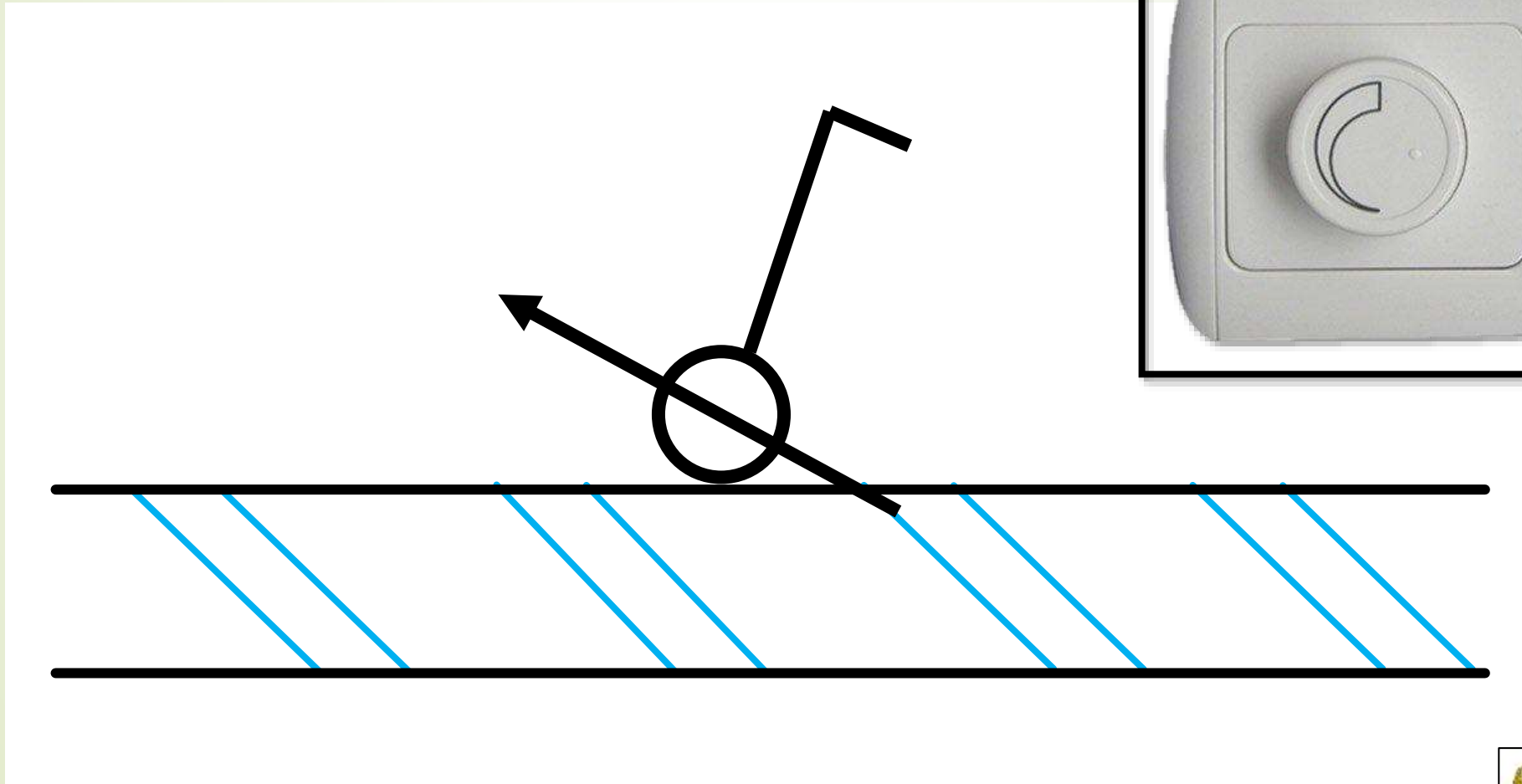
# ONE WAY SWITCH – THREE POLE



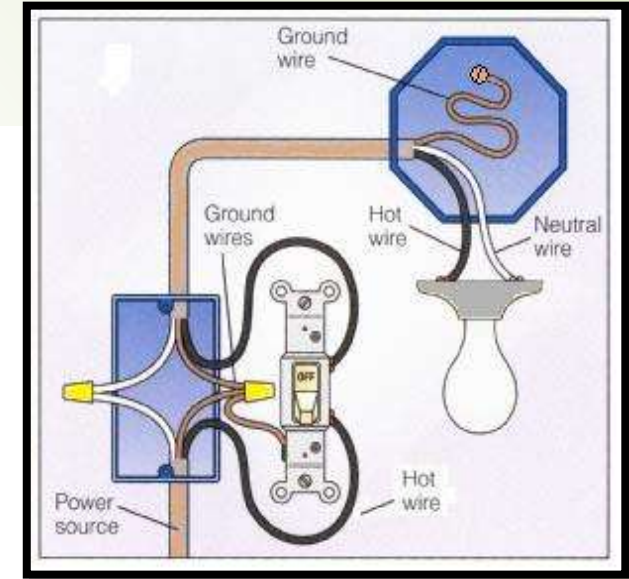
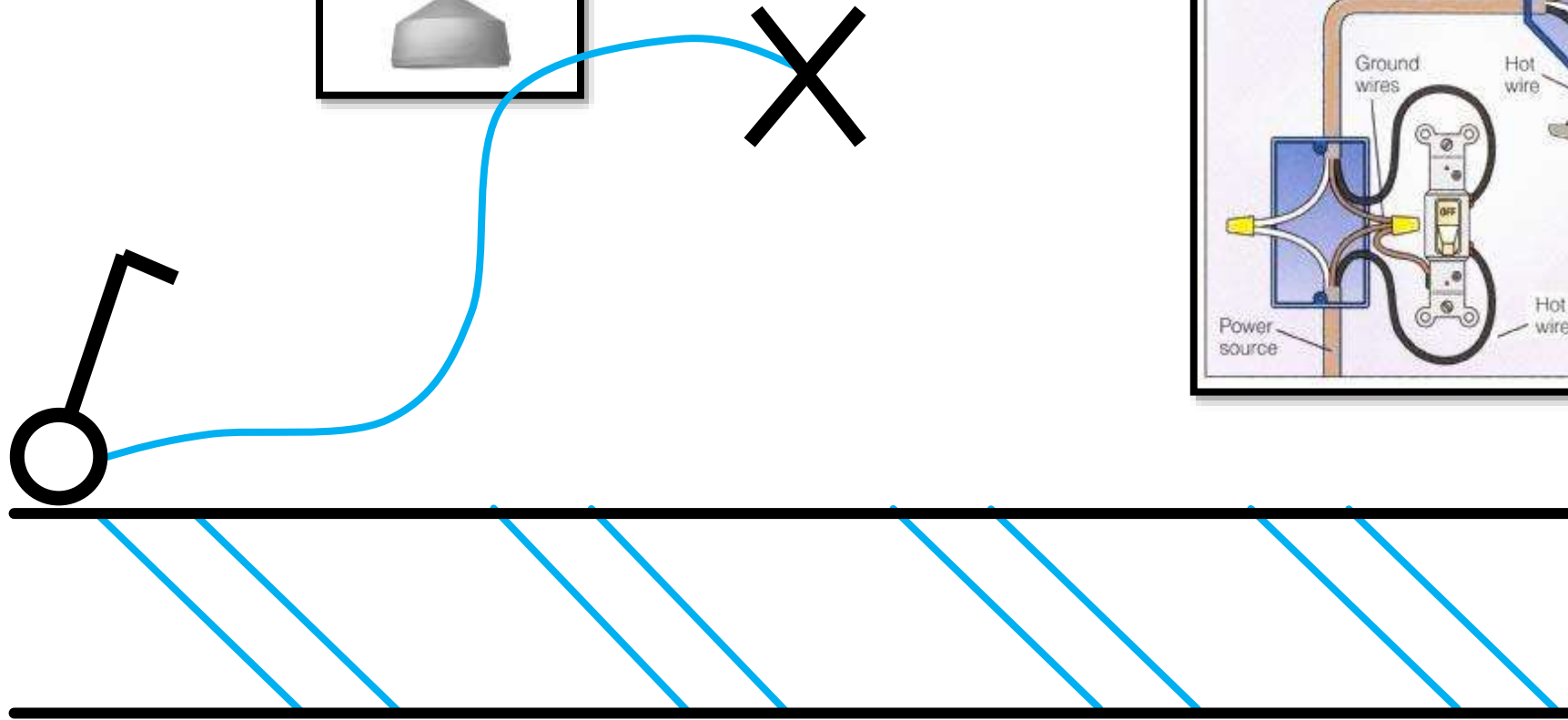
# TWO WAY SWITCH



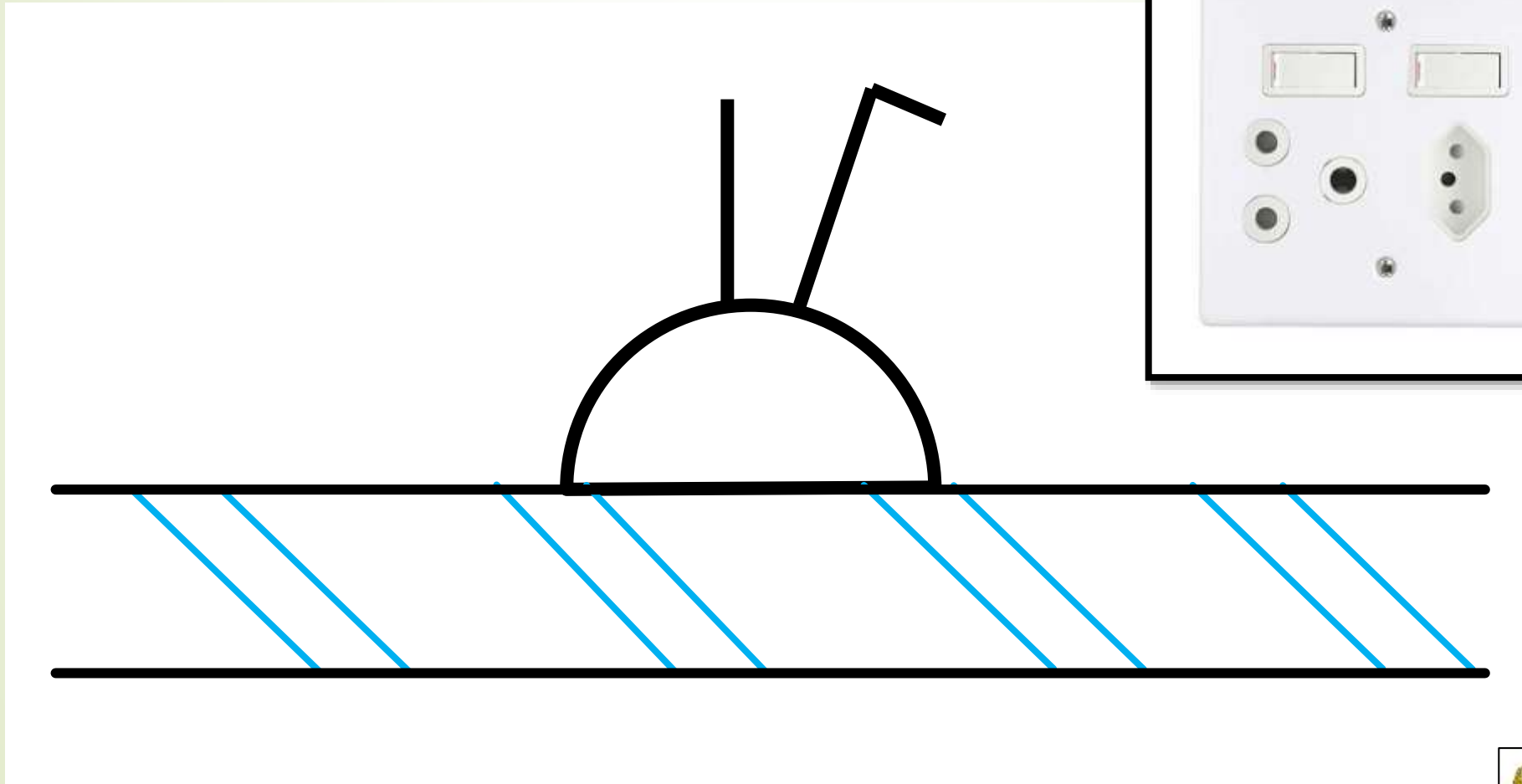
# REGULATING SWITCH (DIMMER)



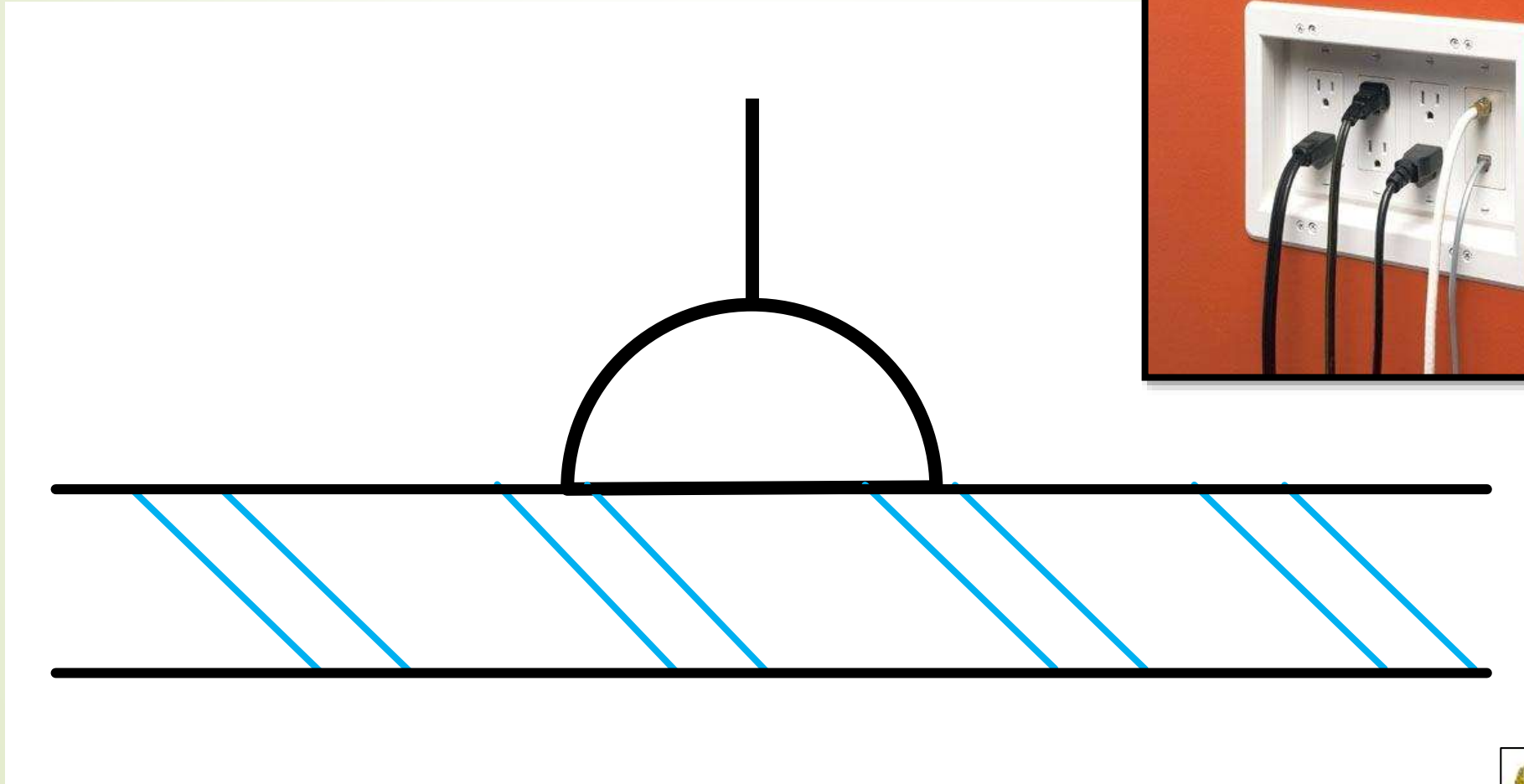
# CONNECTING LIGHTS & SWITCHES



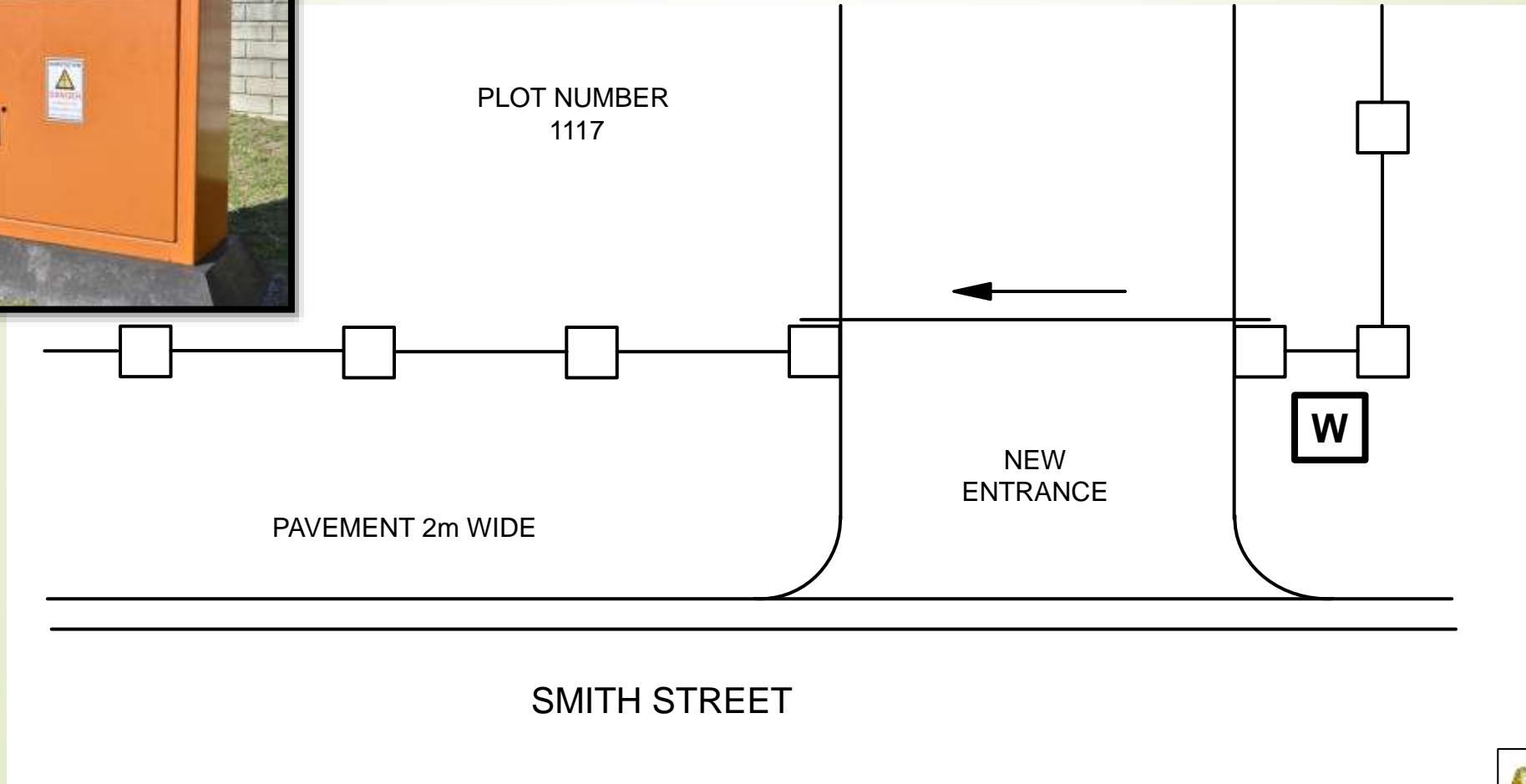
# SWITCHED SOCKET OUTLET



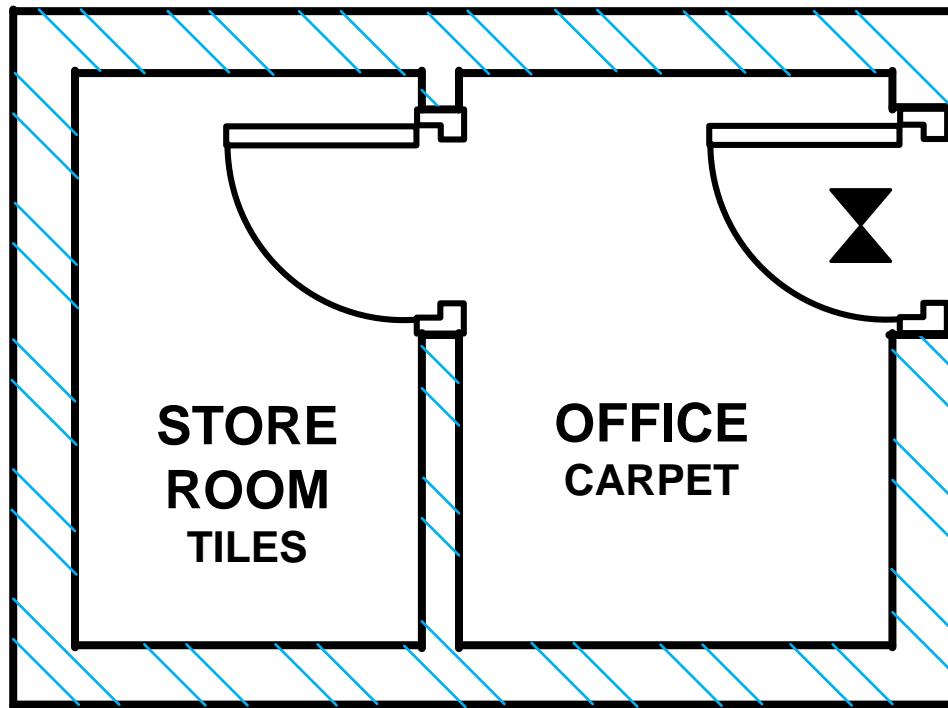
# SOCKET OUTLET



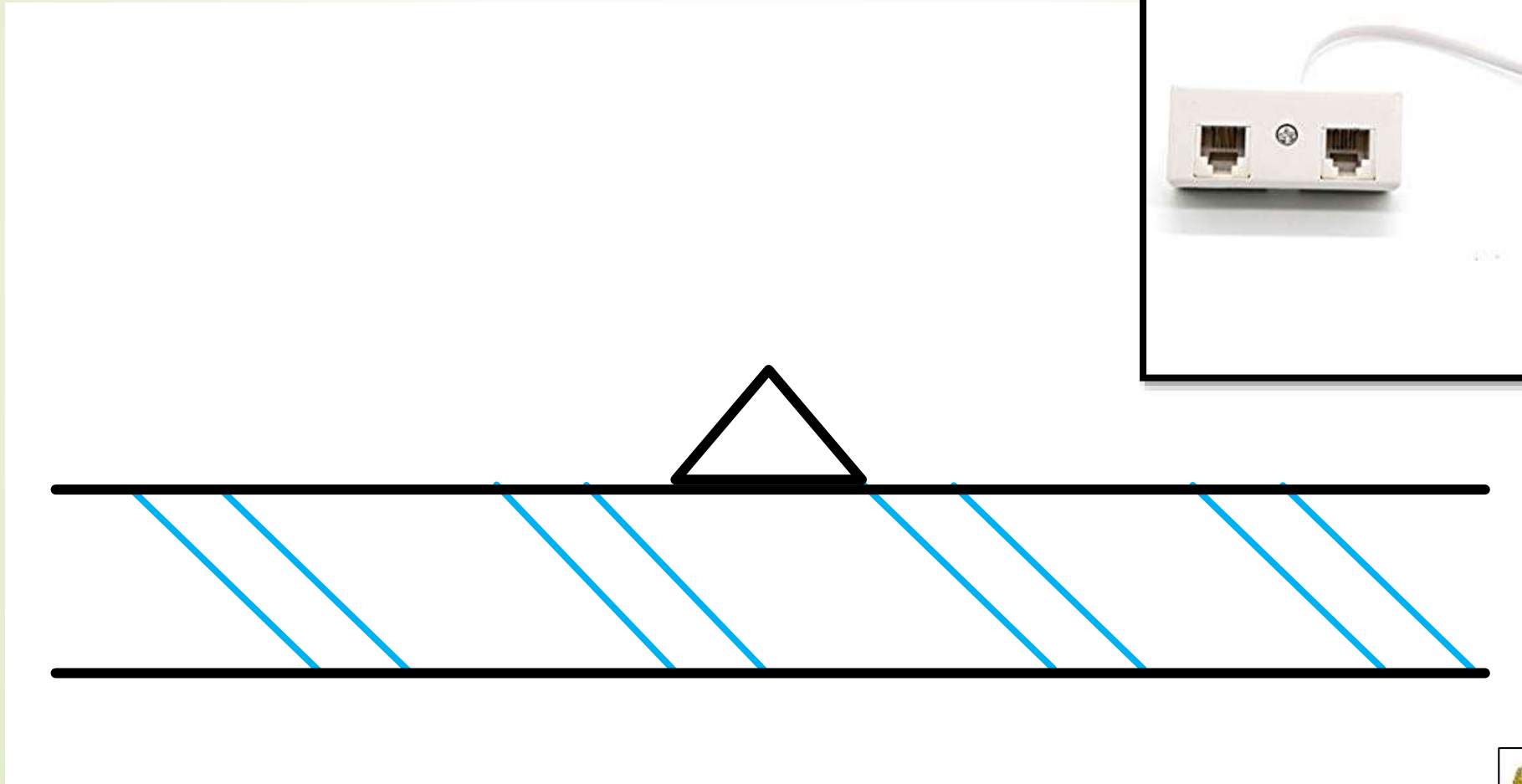
# ELECTRICITY METER WATT-METER RECORDING



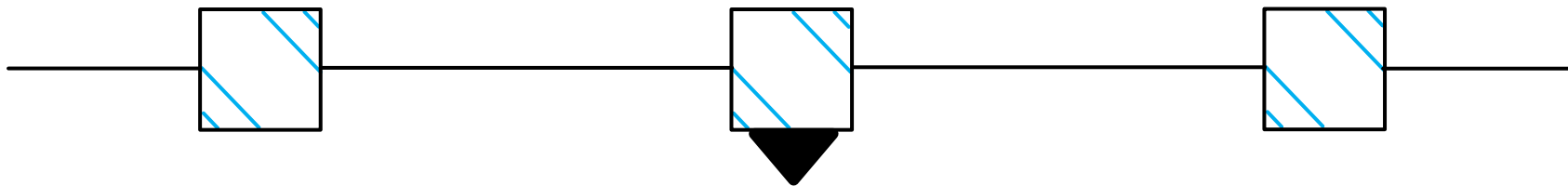
# EMERGENCY LIGHTS



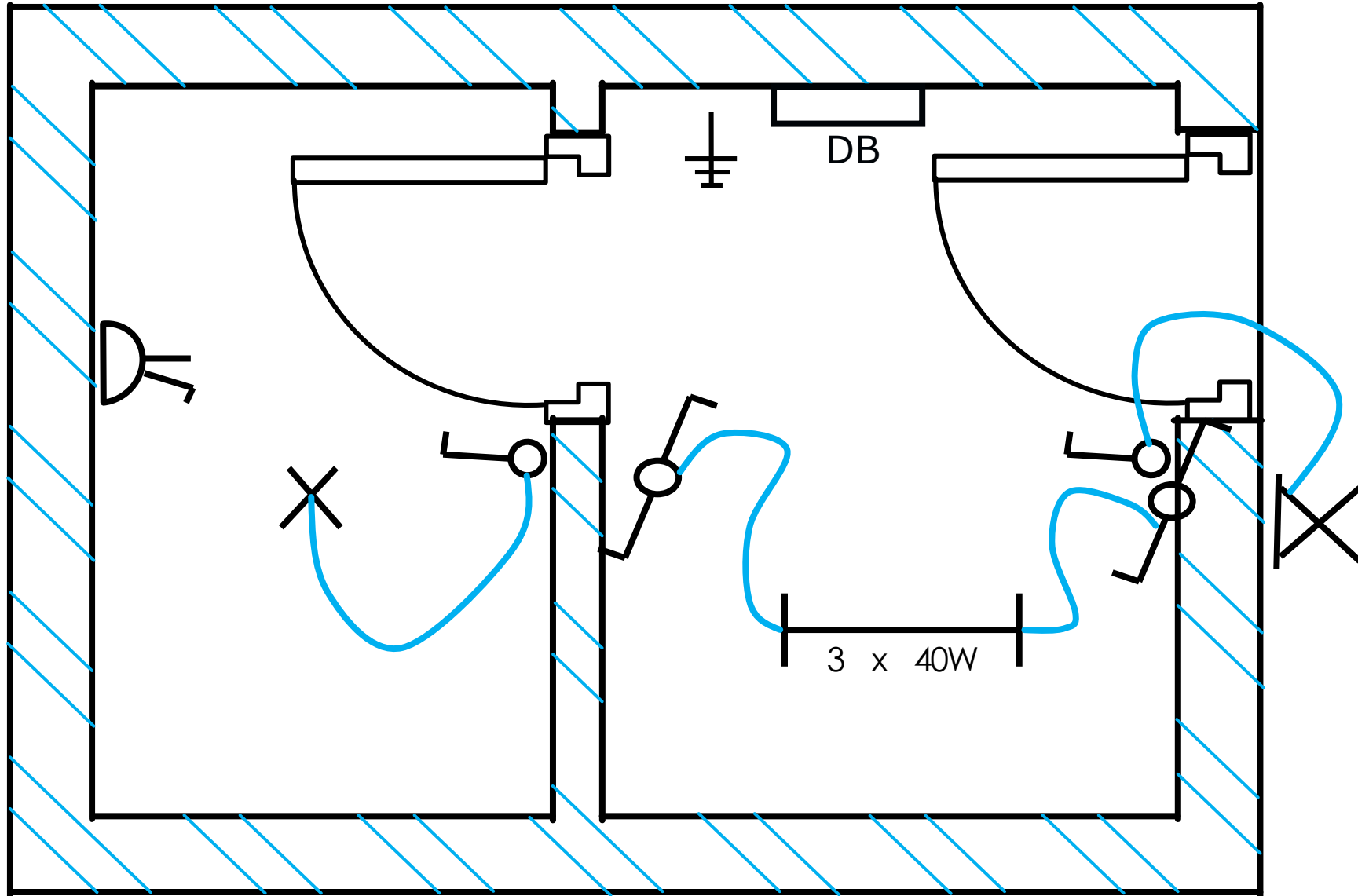
# INTERNAL TELEPHONE



# PUBLIC TELEPHONE



# ELECTRICITY



# ELECTRICITY

