



QUESTION 1 OR 4: FLOOR PLAN SANS 10143 SYMBOLS

Given:

- A series of architectural and computer (CAD) illustrations, features, installations and services which are normally shown on architect drawings.
- A table with a description column (column A) and an answer column (column B).

Instructions:

- Use the given presentations and **draw, freehand**, at column B the **SANS 10143 symbol** to match the description in column A. **[18]**

SANS 10143 SYMBOLS			
1		10	
2		11	
3		12	
4		13	
5		14	
6		15	
7		16	
8		17	
9		18	

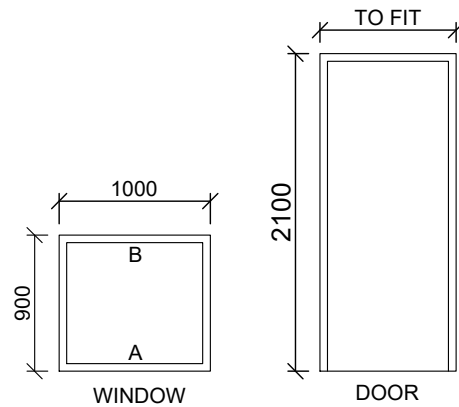
REFERENCE TABLE			
COLUMN A	COLUMN B	COLUMN A	COLUMN B
DRESSED WOOD		ONE-WAY SWITCH DOUBLE POLE	
SAND PLASTER OR SCREED		SWITCHED SOCKET OUTLET	
LIGHT WALL MOUNTED		EARTH	
ONE-WAY SWITCH THREE POLE		LIGHT CEILING MOUNTED	
DISTRIBUTION BOARD		ONE-WAY SWITCH SINGLE POLE	
HARD CORE		BREAK IN CONTINUITY / INTERRUPTED VIEW	
FACE BRICK		COMMON BRICK	
CINDER CONCRETE		SYMBOL INDICATING NORTH	
PLANES OF SECTIONS		FLUORESCENT LIGHT (3 X 40 W)	

QUESTION 4: FLOOR PLAN SANS 10143 SYMBOLS

Given:
Incomplete floor plans and sectioned views.

- Instructions:**
- Make use of the requested scale at each illustration and complete the questions.

- Note:**
- The wall are build from common brick
 - No hidden detail required. **[49]**



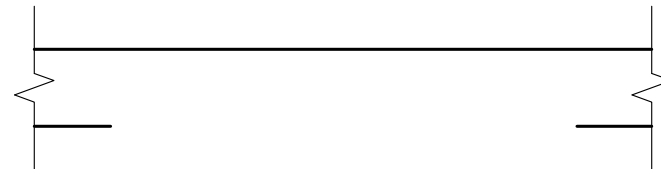
DOOR AND WINDOW NOTES:

- A = Opening position
- B = Hinge position
- C = Fixed panel
- Window frame is 50 mm thick
- 150 x 20 mm Fibre cement window sill at (30°) beneath each window
- 200 x 75 mm Lintel above each door and window
- Lintel is 2100 mm above FFL

QUESTION 4: CIVIL FLOOR PLAN - WINDOW

According to scale 1 : 20, supply the incomplete floor plan with the window.

- Note:**
- Show all hatching detail
 - The load bearing wall is 200 mm thick. **[6]**



QUESTION 4: CIVIL FLOOR PLAN - DOOR:

According to scale 1 : 20, supply the incomplete floor plan with door.

- Note:**
- Show all hatching detail
 - The load bearing wall is 200 mm thick. **[4]**



ASSESSMENT CRITERIA

SANS 10143 SYMBOLS			
SUB TOTAL		18	
WINDOW			
1	Window	5	
2	Hatching	1	
SUB TOTAL		6	
DOOR			
1	Door	3	
2	Hatching	1	
SUB TOTAL		4	
TOTAL PENALIZING (-)			
TOTAL		28	

