

QUESTION 4: CIVIL ELECTRICAL

Given:

- The floor plan of the electrical layout.
- The table of the electrical symbols.
- The labels of each number (electrical component)

Instructions:

Draw ALL electrical fittings as indicated by the numbers.

NOTE:

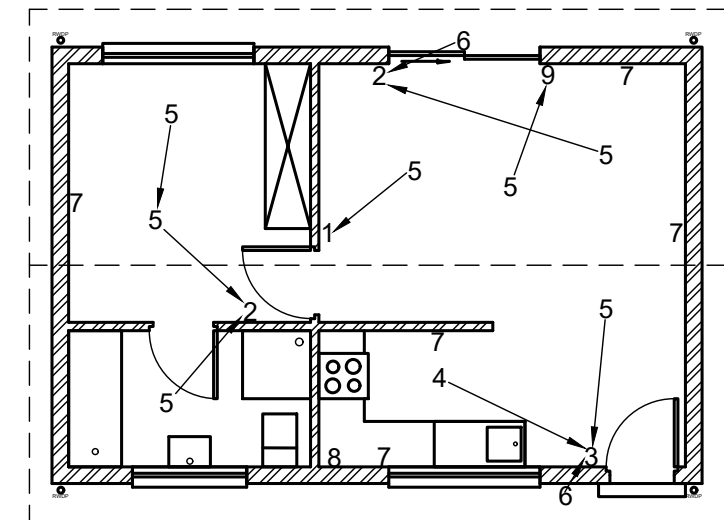
ALL drawings must comply with the **guidelines** and **graphical symbols** contained in the *SANS 10143*.

ELECTRICAL FITTINGS

1. ONE-WAY SWITCH - SINGLE-POLE
2. ONE-WAY SWITCH - DOUBLE-POLE
3. ONE-WAY SWITCH THREE POLE
4. FLUORESCENT LIGHT 2 x 40 W
5. CEILING LIGHT
6. WALL-MOUNTED LIGHT
7. SWITCHED SOCKET OUTLET
8. DISTRIBUTION BOARD
9. DIMMER SWITCH

NOTE:

THE ARROW SHOWS THE LIGHT CONNECTION TO THE SWITCH



ELECTRICAL DIAGRAM

ELECTRICAL SYMBOLS			
LIGHTS	SWITCHES	POWER OUTLETS	VARIETY

ASSESSMENT CRITERIA

ELECTRICAL			
1	ELECTRICAL COMPONENTS	32	
TOTAL		32	



PERSPECTIVE DRAWING

ESTIMATED TIME FOR COMPLETION	15 MIN	GRADE
YOUR TIME FOR COMPLETION	MIN	

INITIALS & SURNAME

TASK 10.6 PAGE 5.2