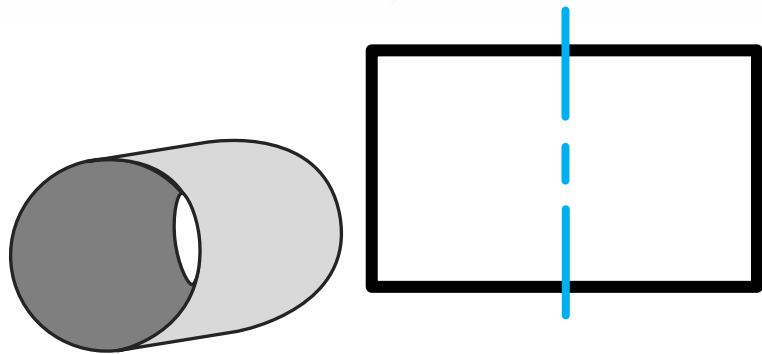


One-Point-Perspective Drawing Principles Grade 10, 11 & 12

Developed by: PC Viljoen
Senior Educational Specialist for
Engineering Graphics and Design
Free State Province

One-Point-Perspective Drawing



PP

PP

HL

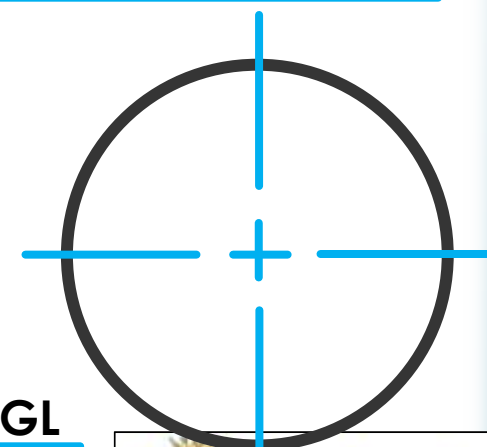
VP

HL

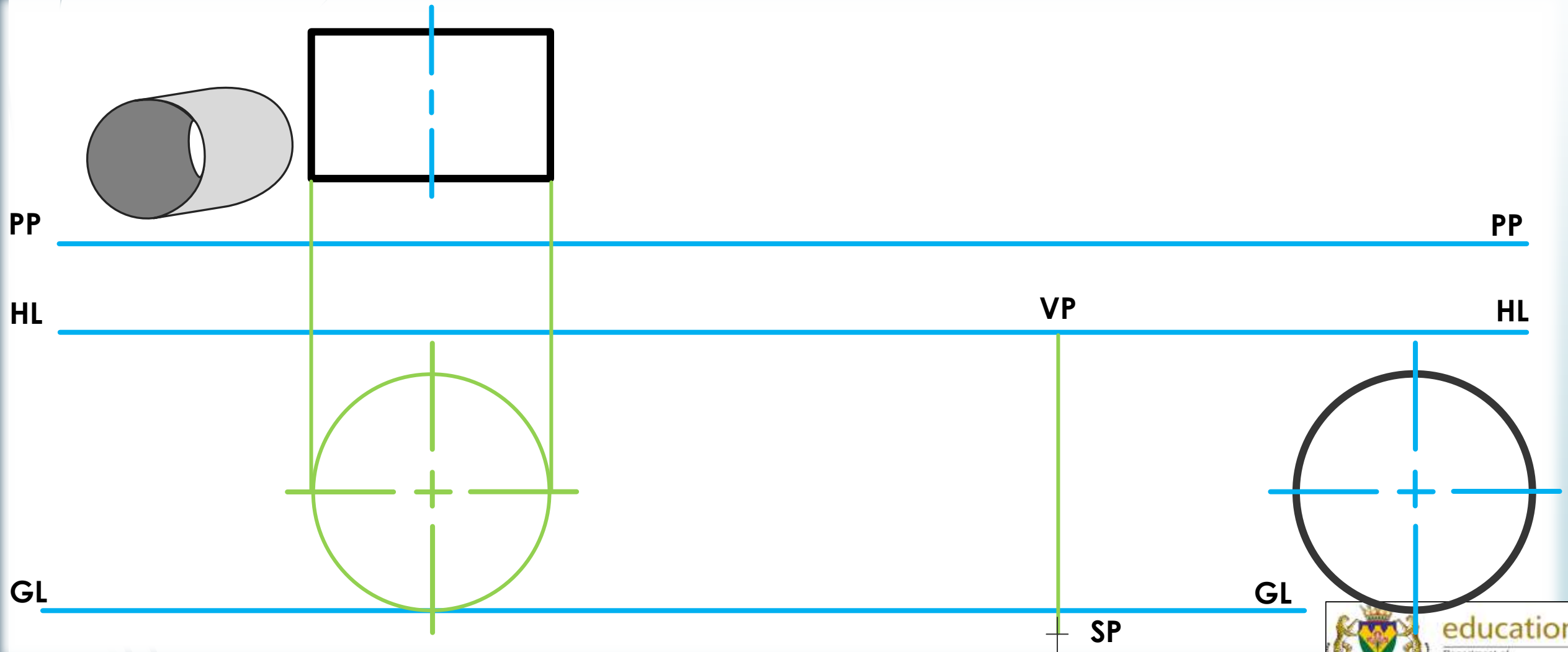
GL

SP

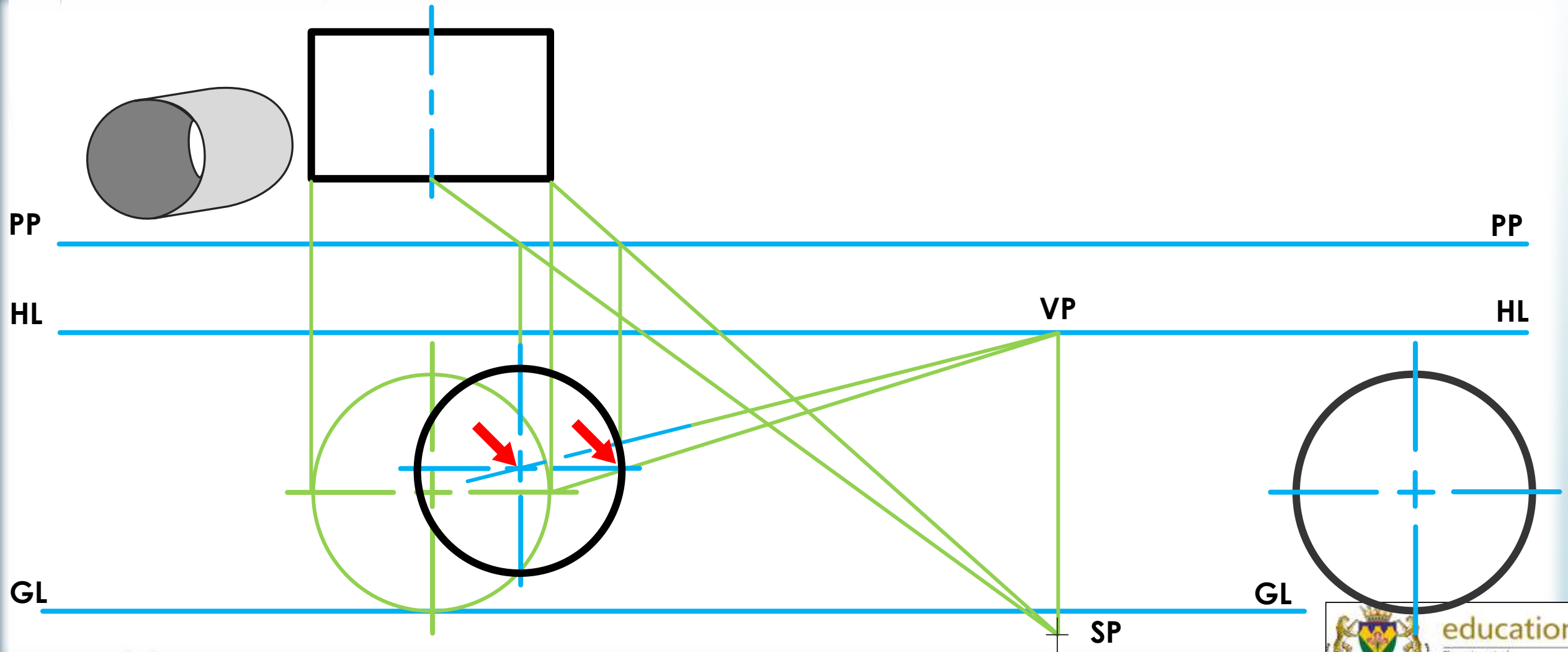
GL



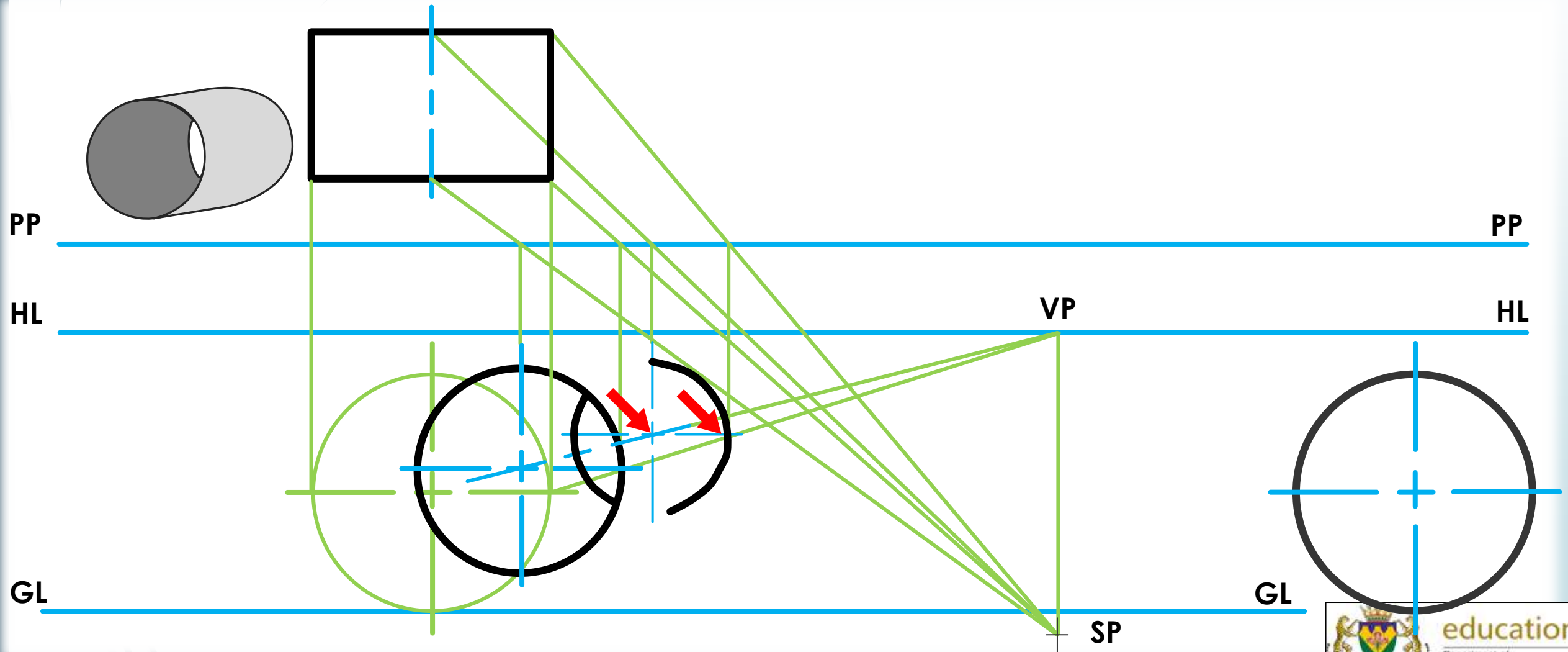
One-Point-Perspective Drawing



One-Point-Perspective Drawing



One-Point-Perspective Drawing



One-Point-Perspective Drawing

