

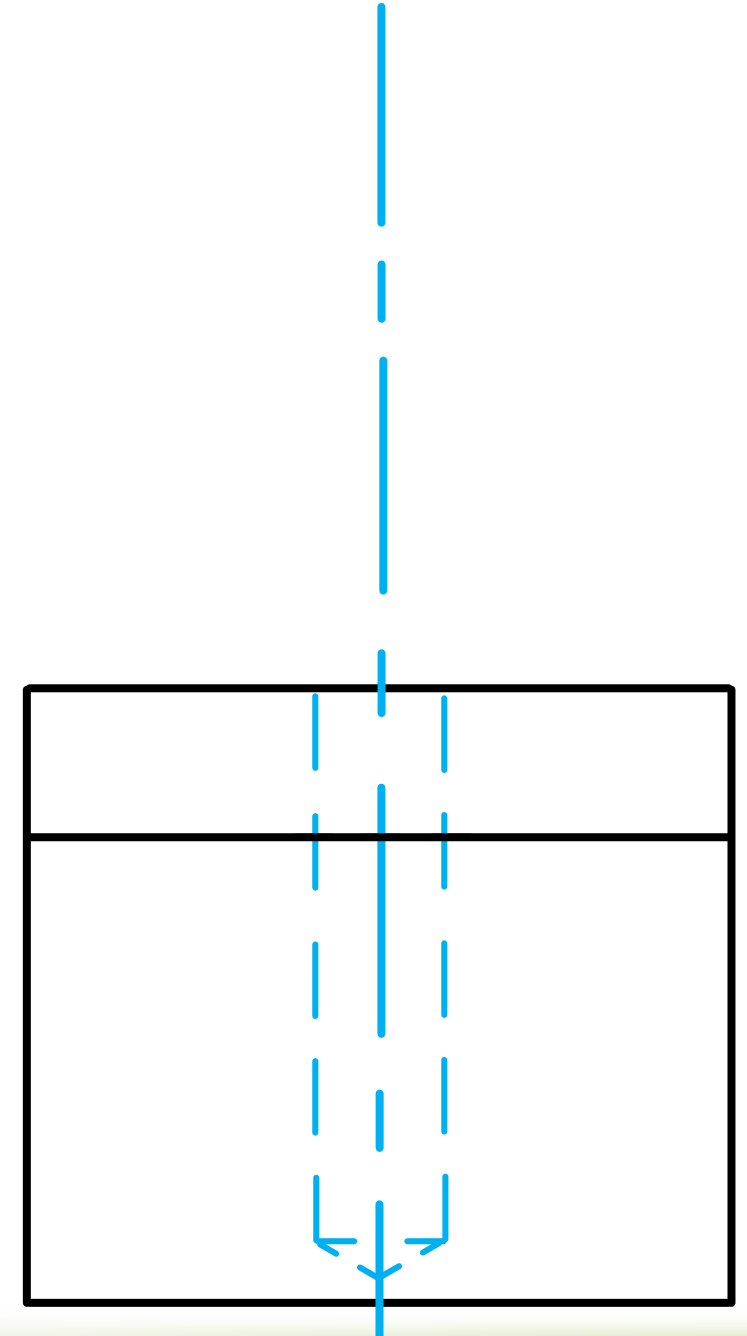


Principles of Mechanical Drawings – HIDDEN DETAIL

Developed by: PC Viljoen
Senior Educational Specialist for
Engineering Graphics and Design
Free State Province

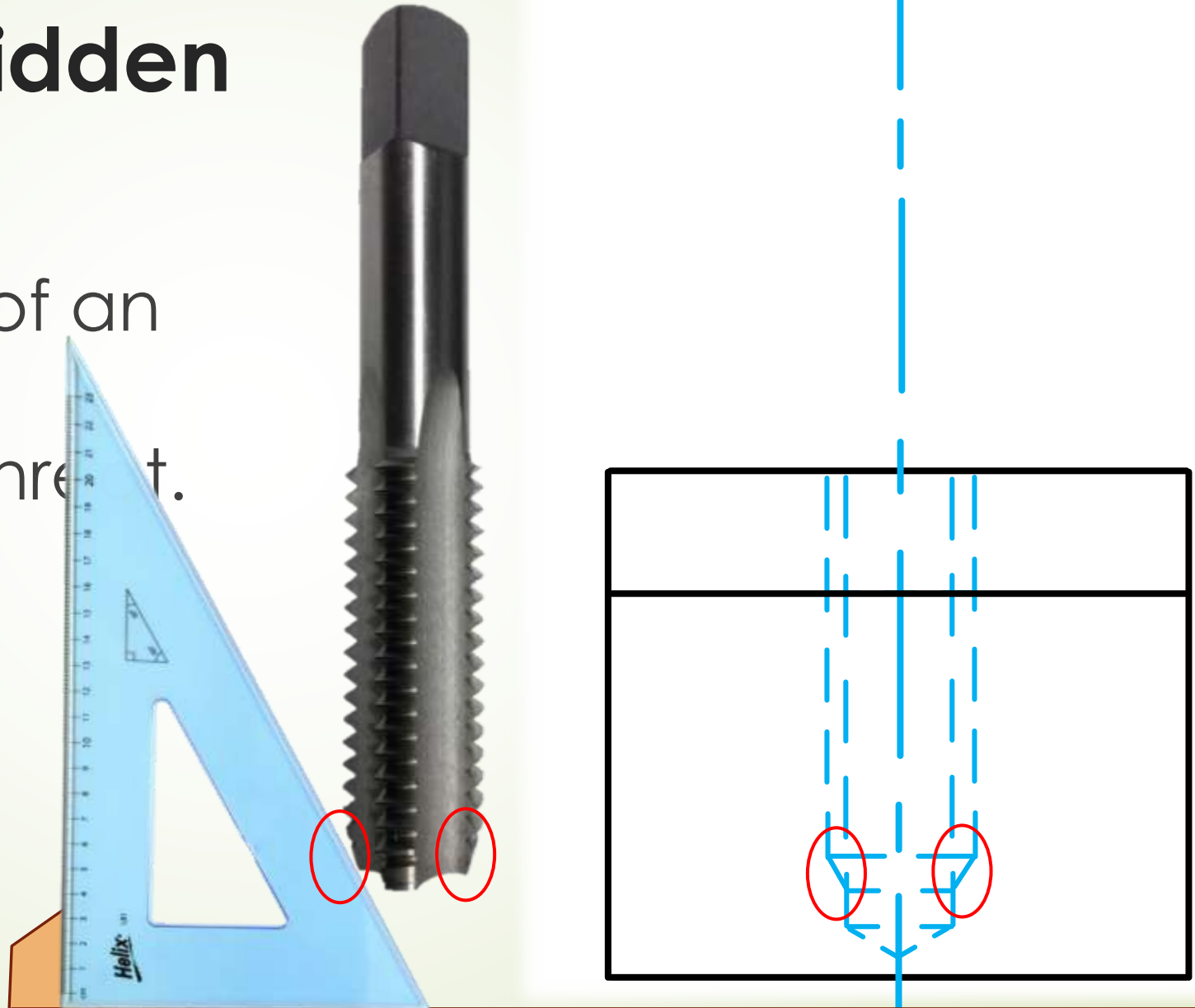
Mechanical Drawings (hidden detail)

- Hidden detail of an internal hole.



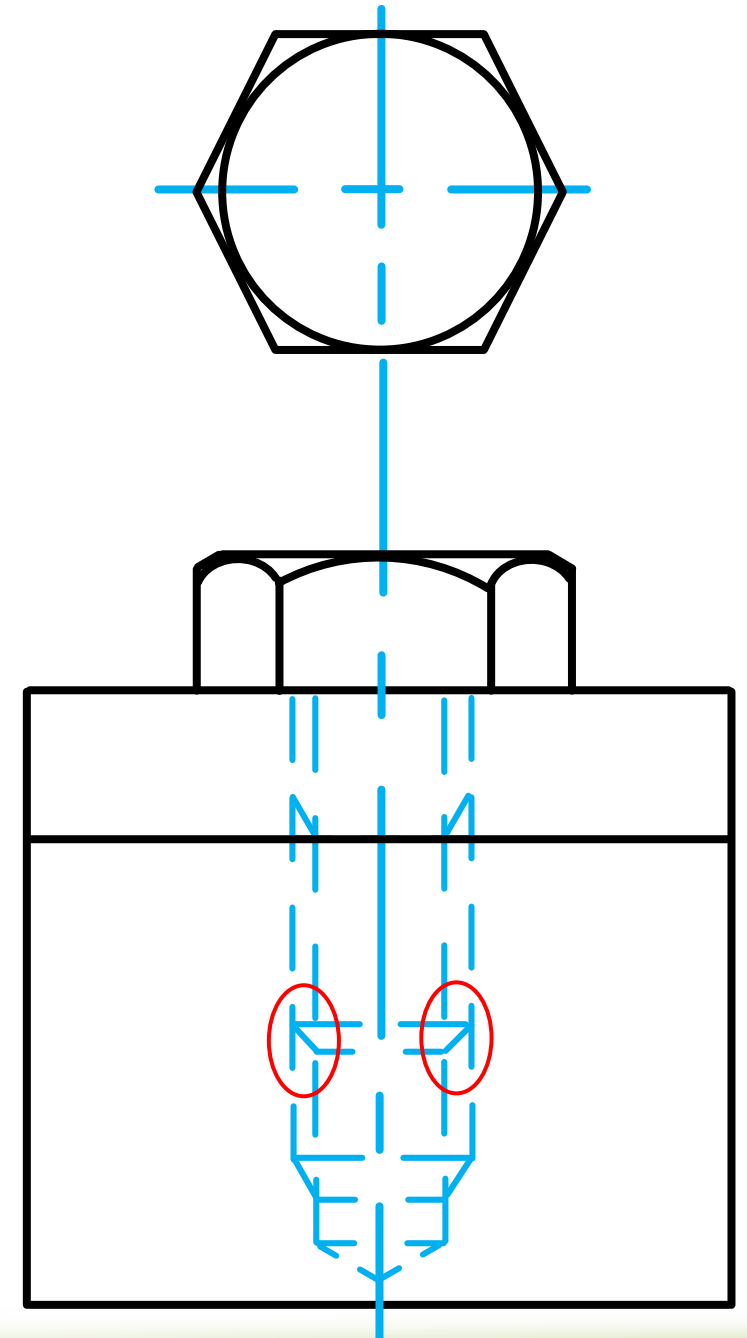
Mechanical Drawings (hidden detail)

- Hidden detail of an internal hole including the thread.



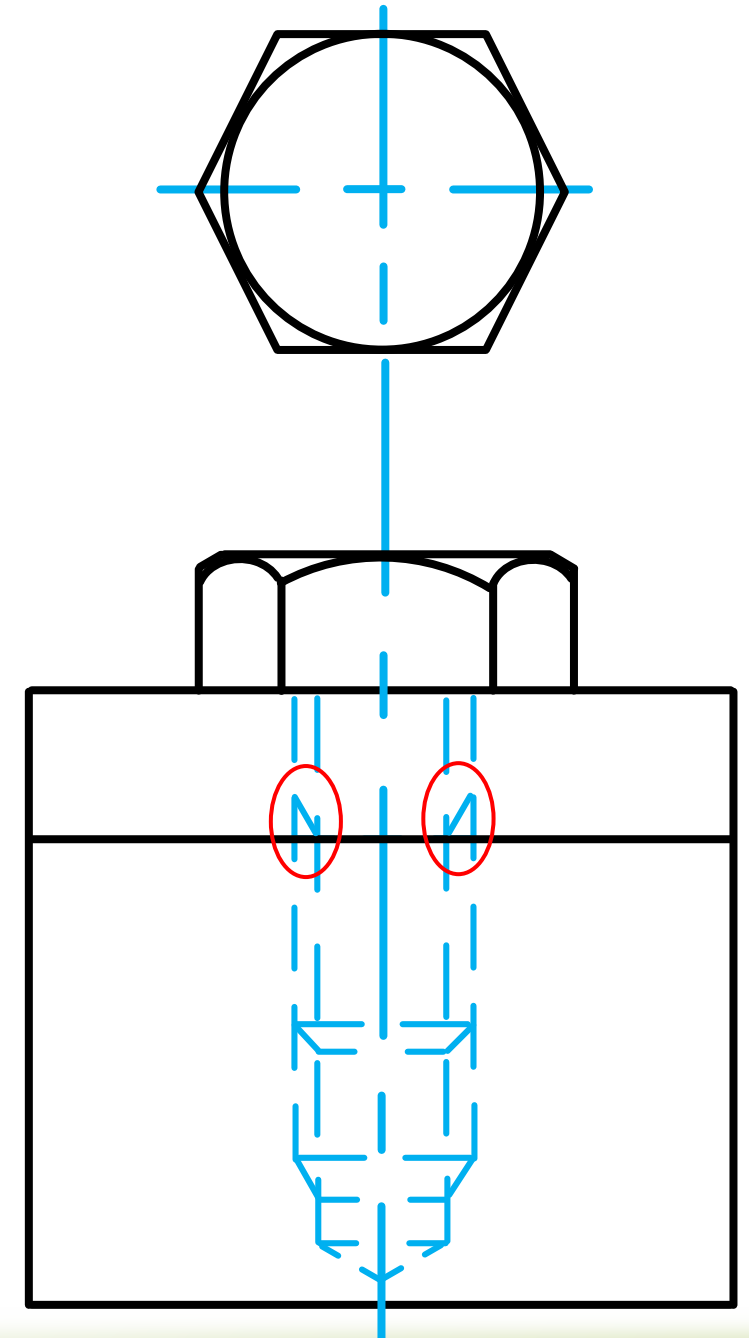
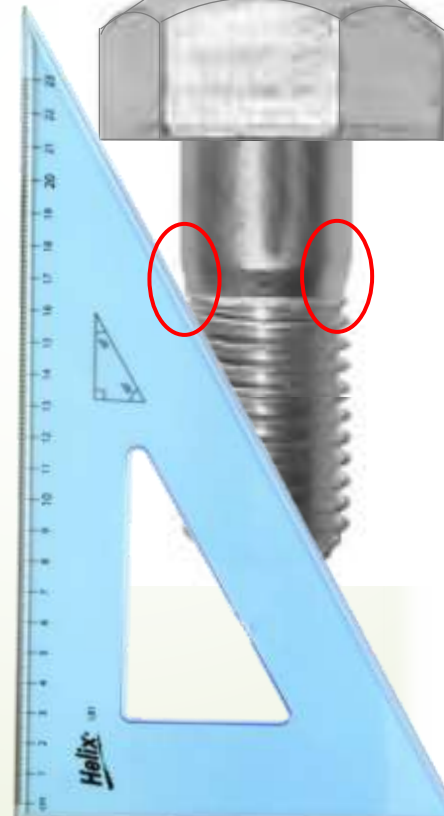
Mechanical Drawings (hidden detail)

- Hidden detail of an internal hole including the thread and the bolt.



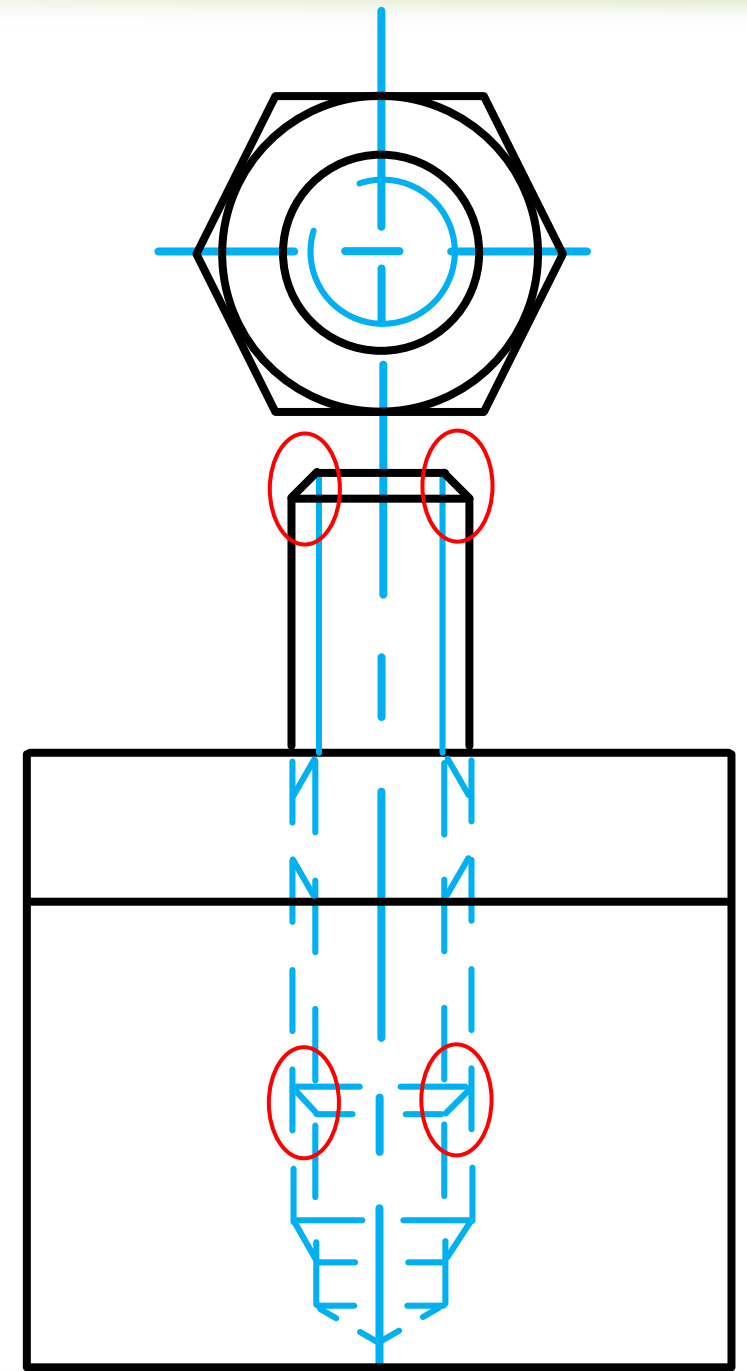
Mechanical Drawings (hidden detail)

- Hidden detail of an internal hole including the thread and the bolt.



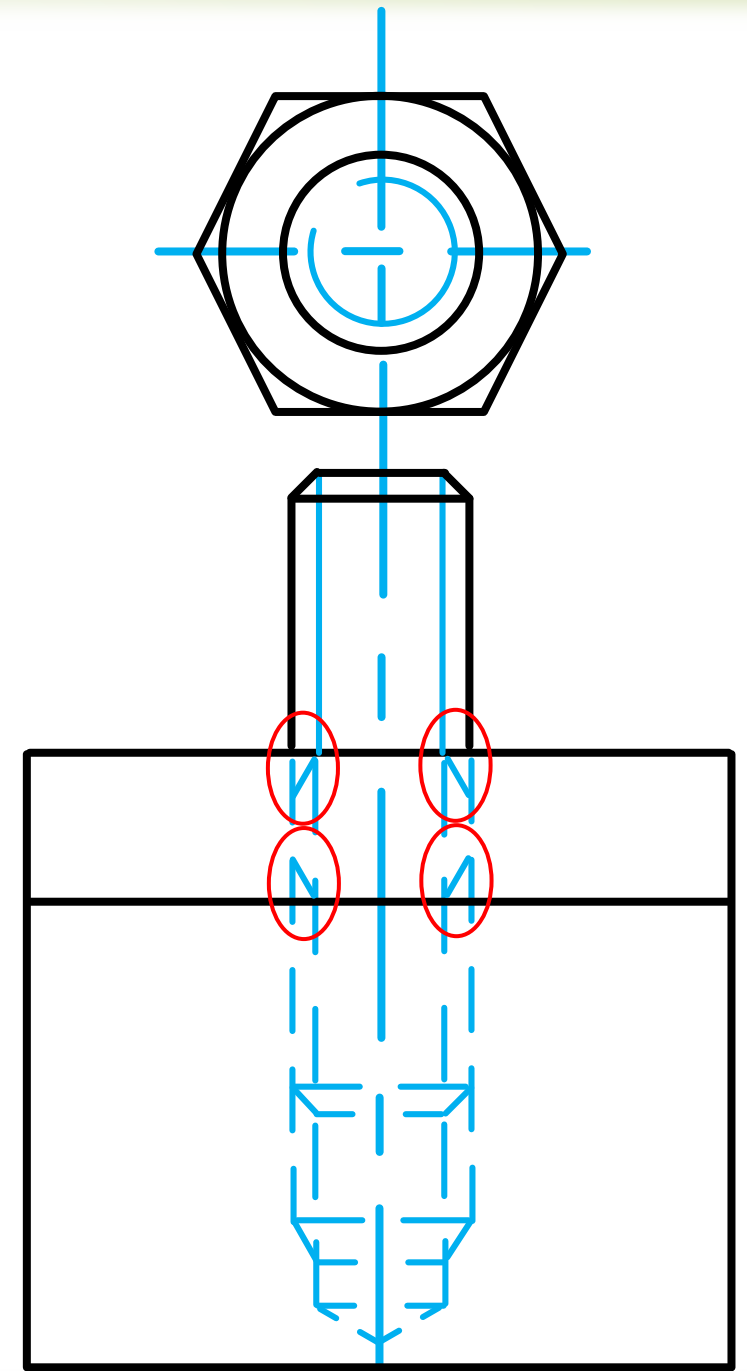
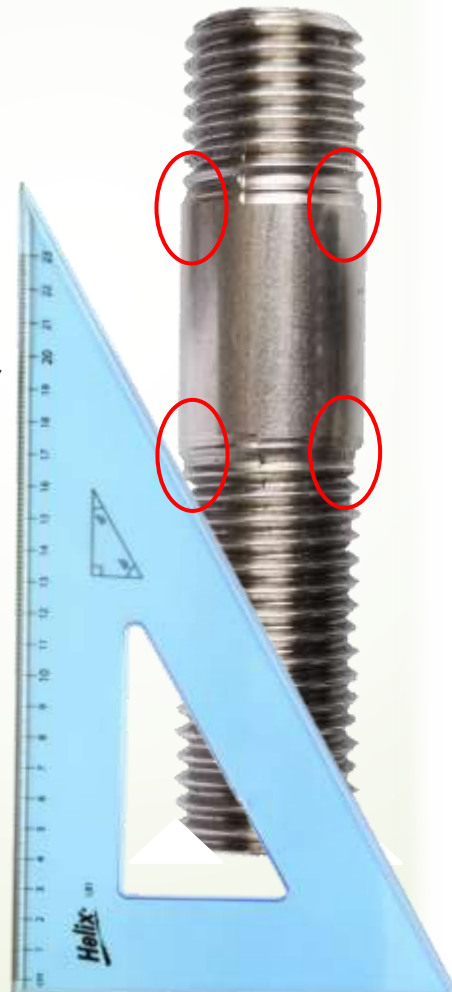
Mechanical Drawings (hidden detail)

- Hidden detail of an internal hole including the thread, washer, nut and a stud.



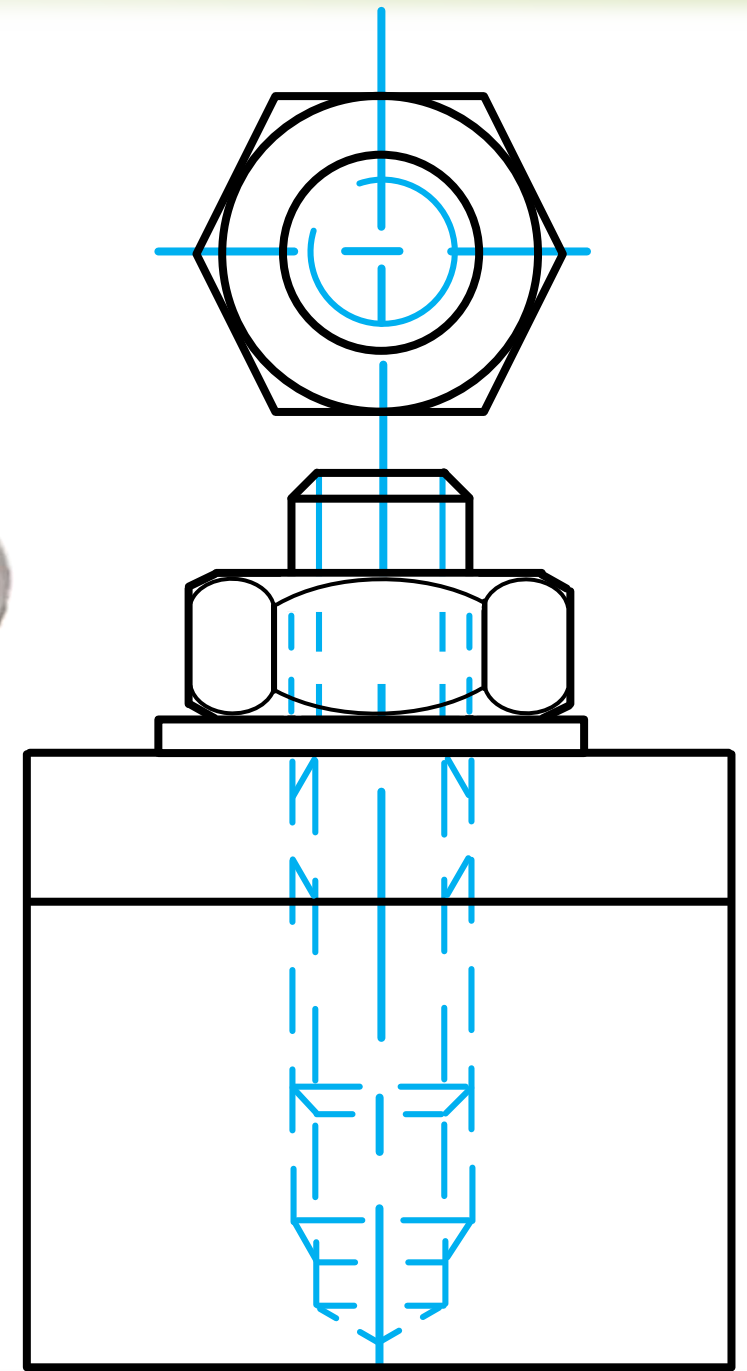
Mechanical Drawings (hidden detail)

- Hidden detail of an internal hole including the thread, washer, nut and a stud.



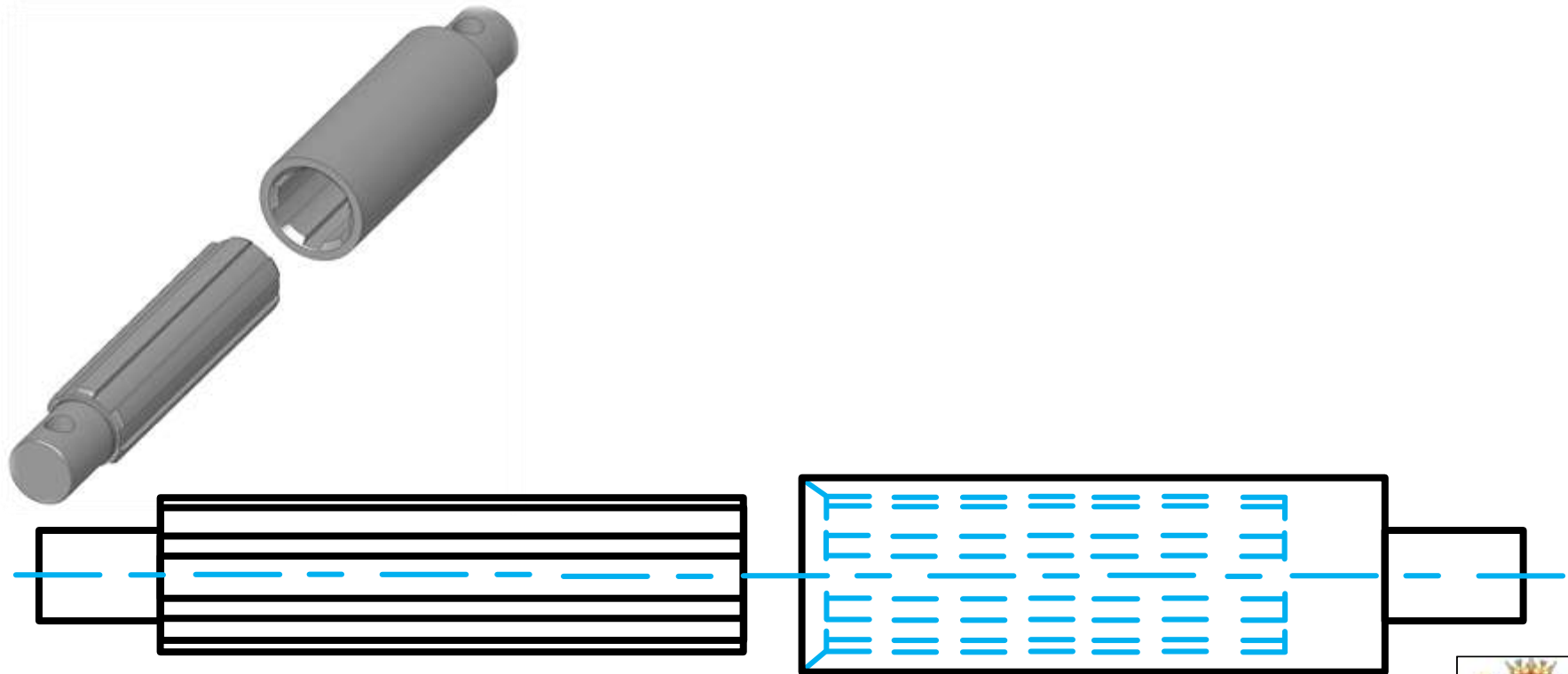
Mechanical Drawings (hidden detail)

- Hidden detail of an internal hole including the thread, stud, washer and nut.



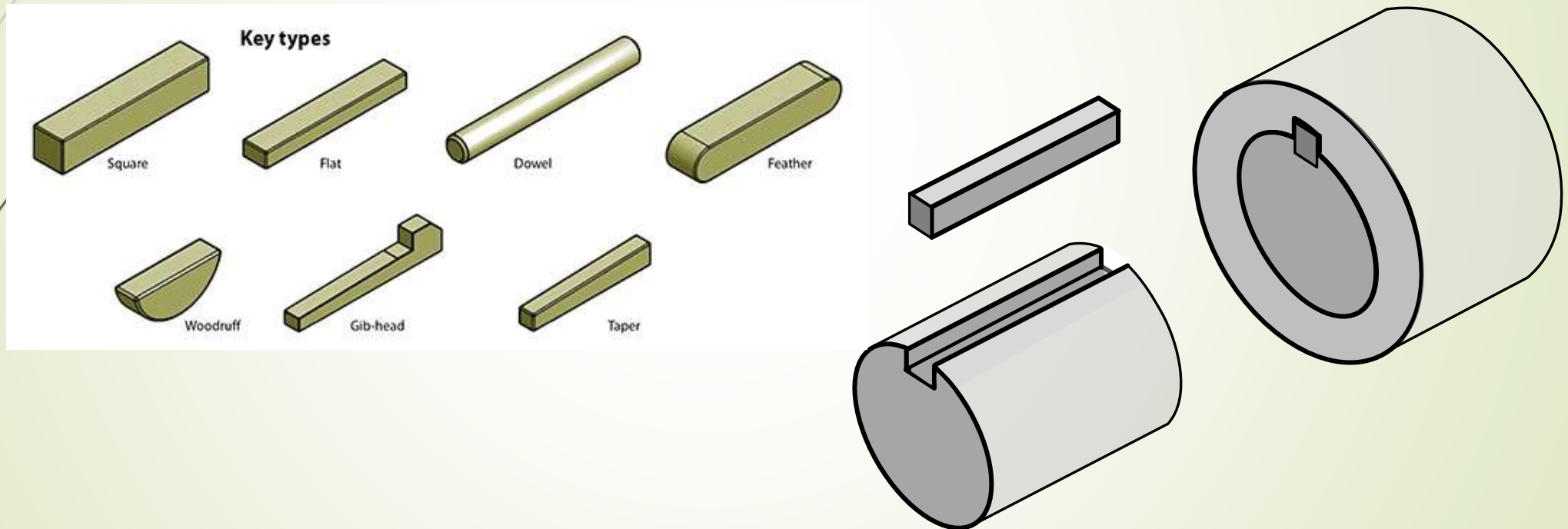
Mechanical Drawings (hidden detail)

- Hidden detail of interior parts



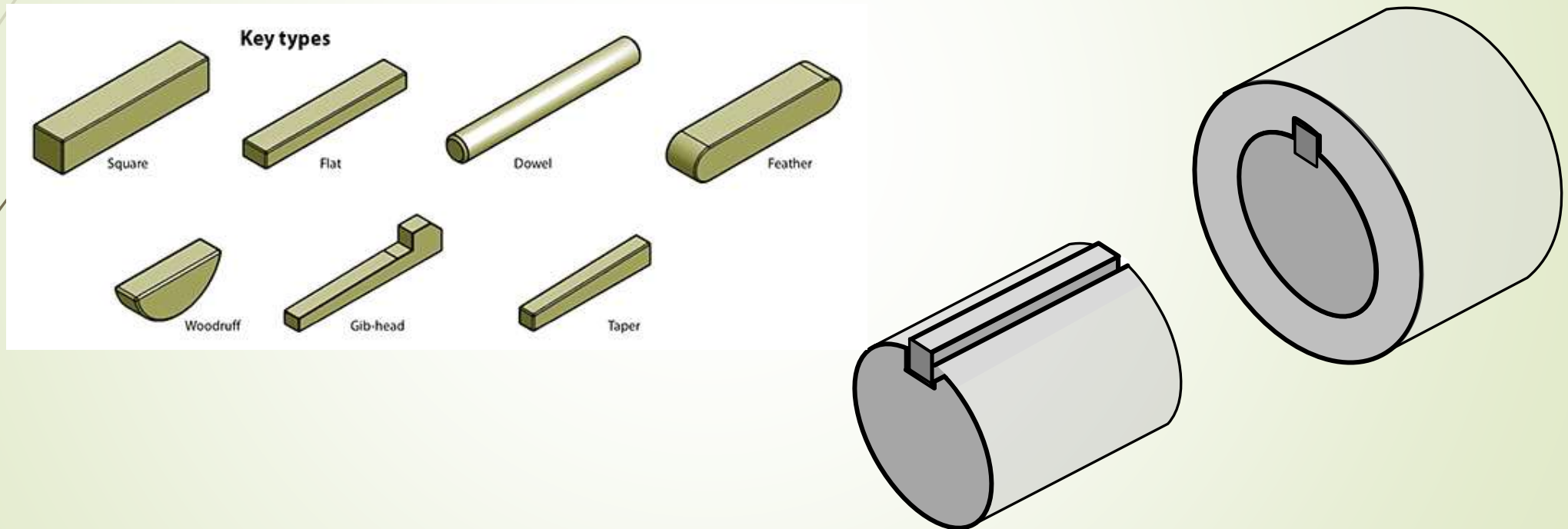
Mechanical Drawings (sectioning)

- Keys may **not** be sectioned when the cutting plane passes longitudinally through them.



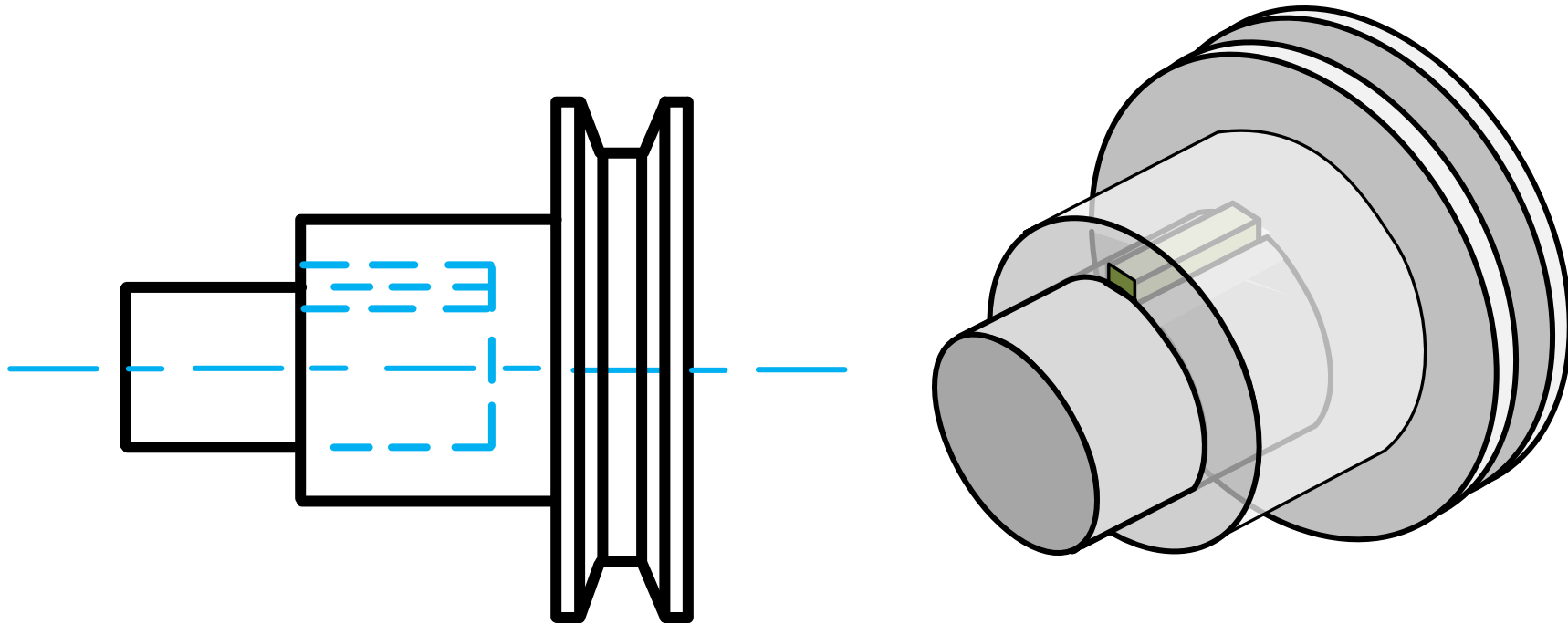
Mechanical Drawings (sectioning)

- Keys may **not** be sectioned when the cutting plane passes longitudinally through them.



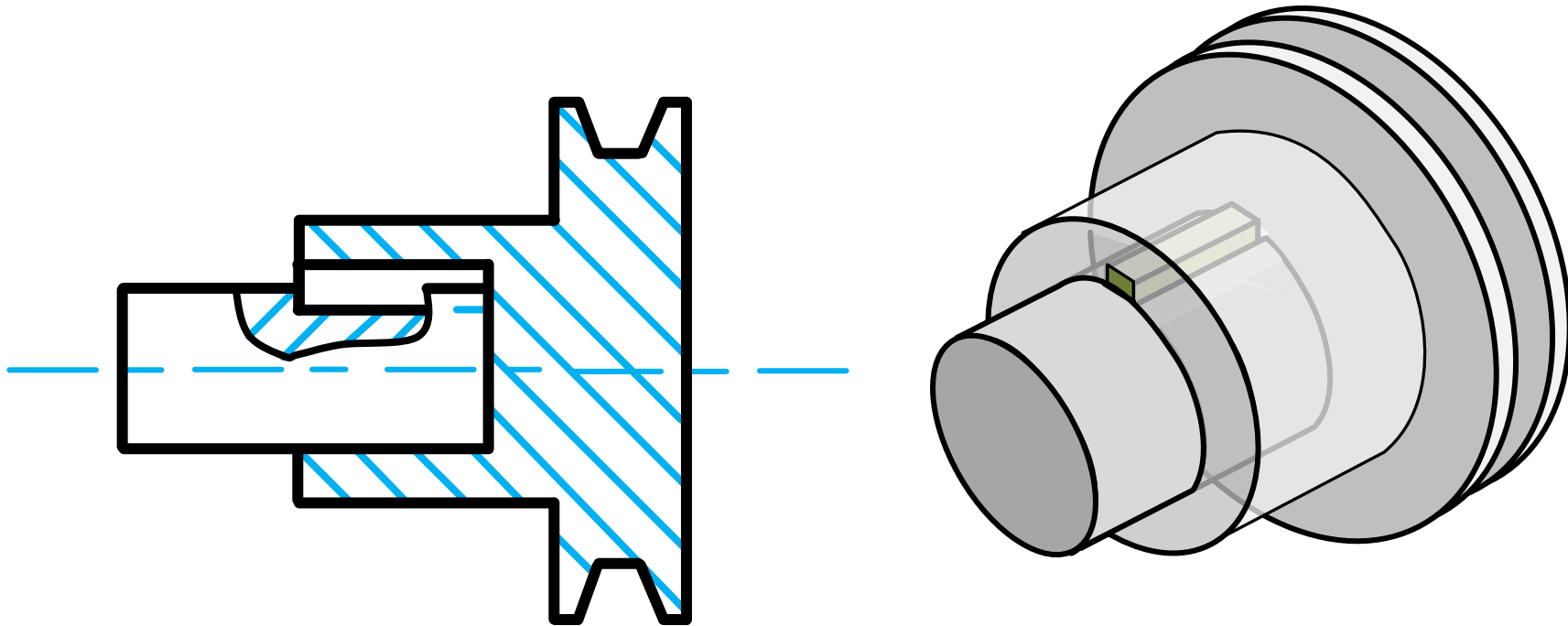
Mechanical Drawings (hidden detail)

- Hidden detail of interior parts



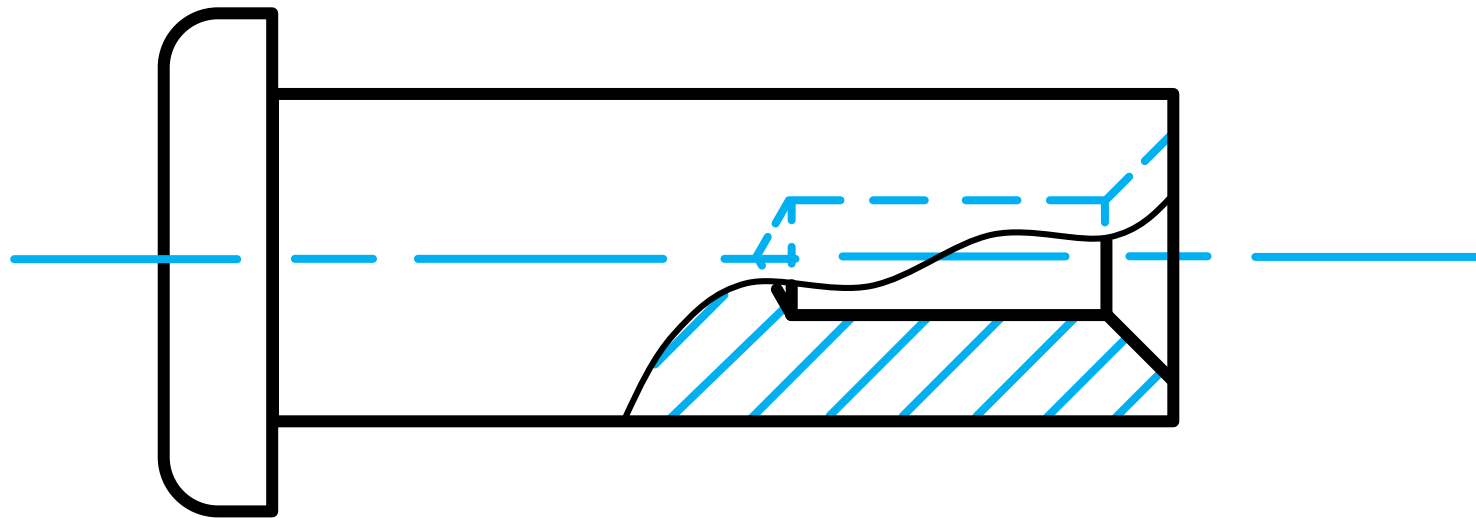
Mechanical Drawings (hidden detail)

- Hidden detail of interior parts



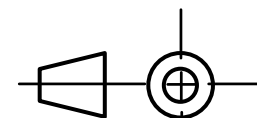
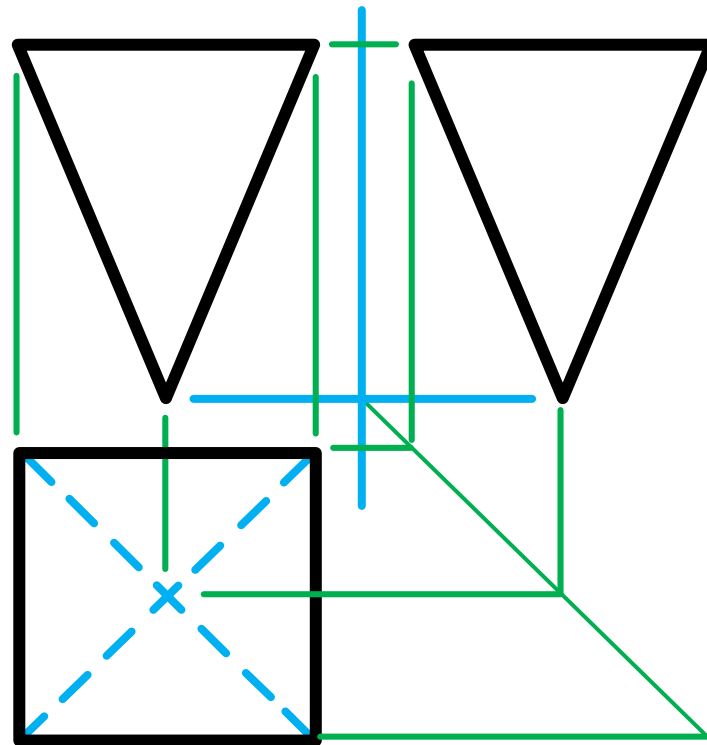
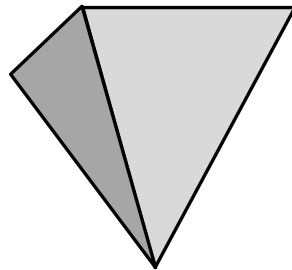
Mechanical Drawings (hidden detail)

- Components may be partly sectioned to explain access hidden detail.



Mechanical Drawings (hidden detail)

- ➔ **Hidden detail** should always be shown when necessary for clarity.



Mechanical Drawings (hidden detail)

- ➔ **Hidden detail** can also be shown **behind hatching** when **necessary for clarity**.

