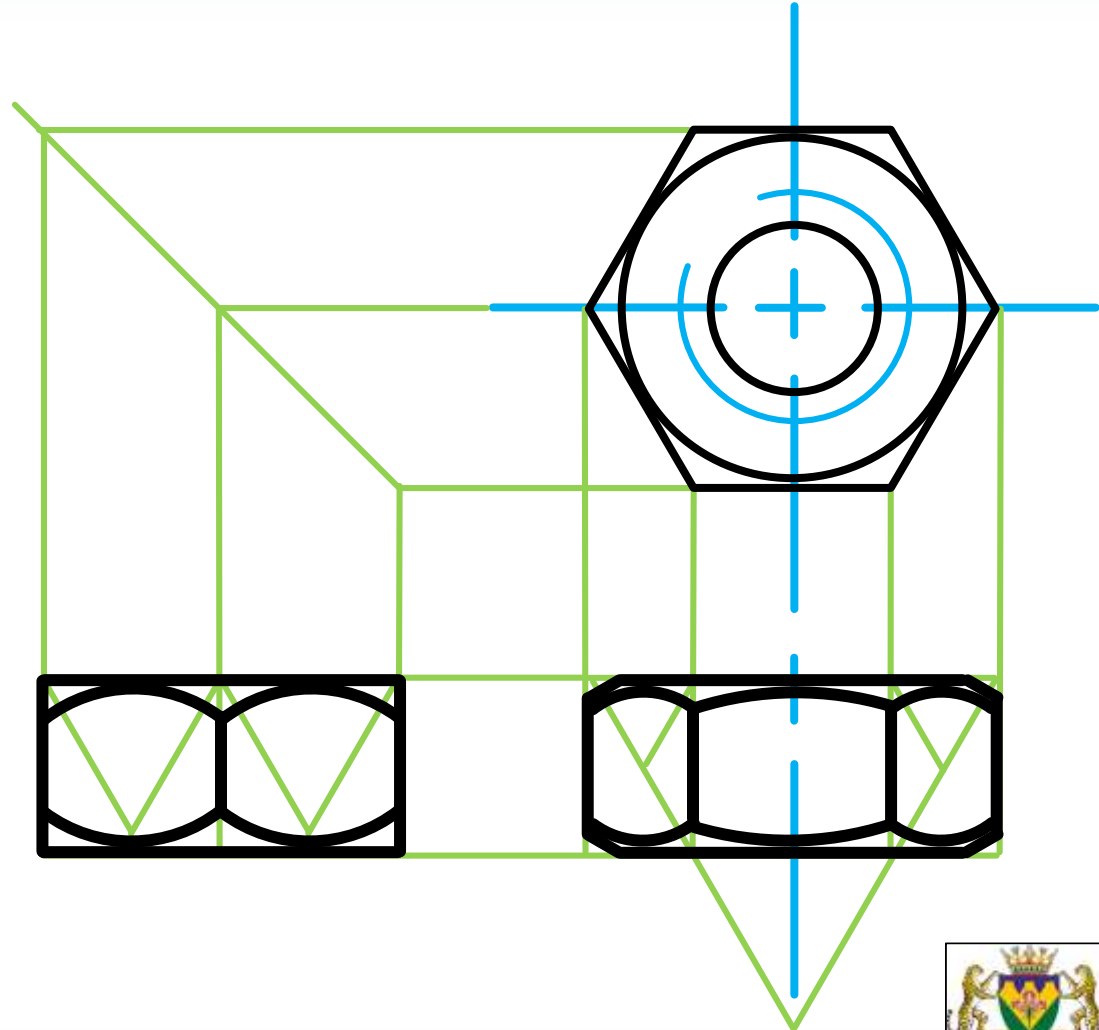


Principles of Mechanical Drawings – PRESENTATION OF COMMON FEATURES

Developed by: PC Viljoen
Senior Educational Specialist for
Engineering Graphics and Design
Free State Province

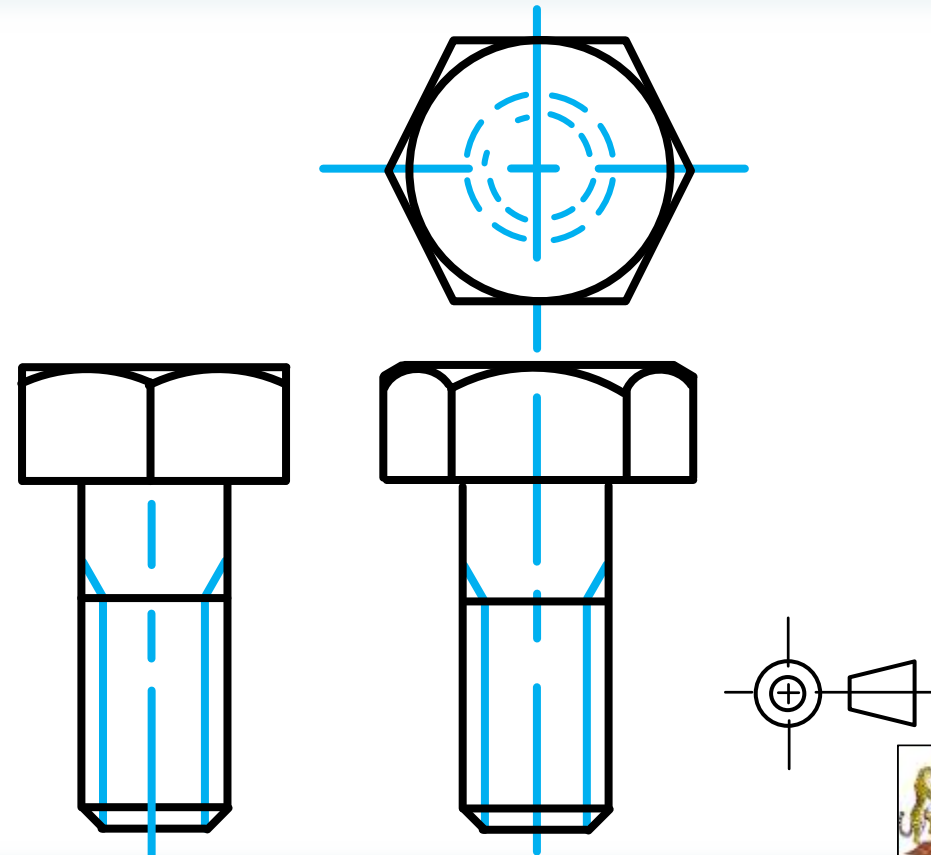
PRESENTATION OF COMMON FEATURES

- The conventional representation of a **nut**.



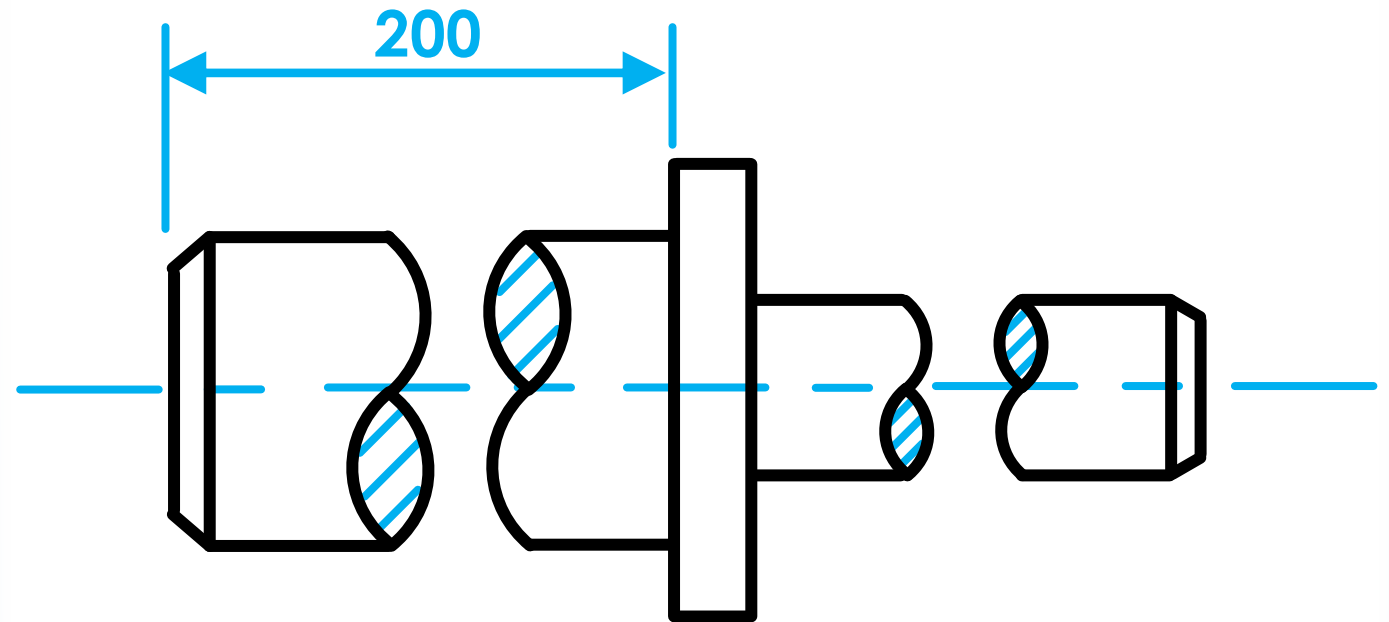
Construction of NUTS, BOLTS and STUDS

- The conventional representation of a **bolt**.



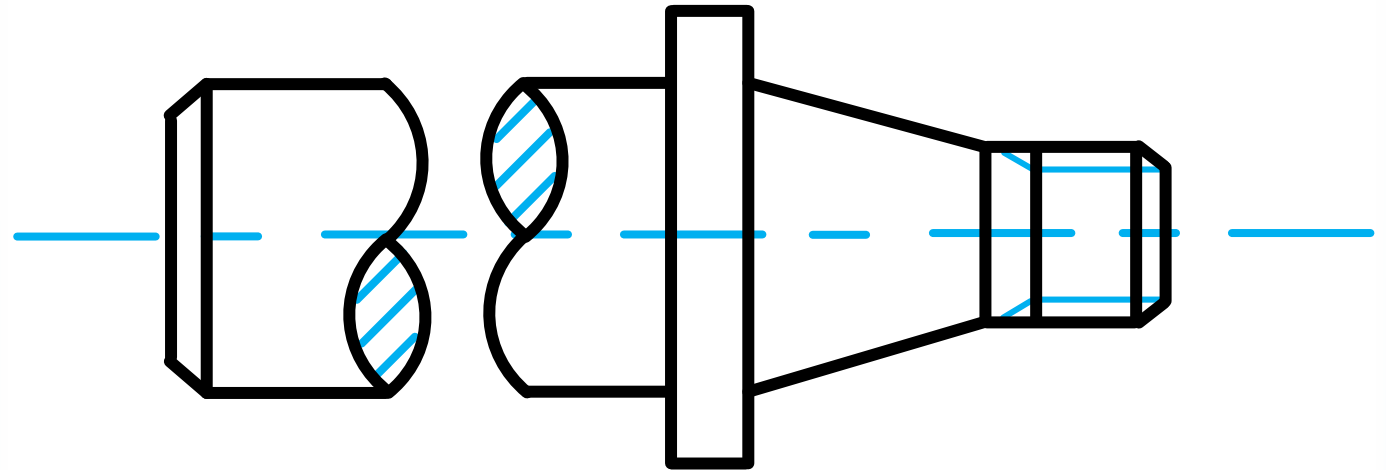
PRESENTATION OF COMMON FEATURES

- The conventional representation of **reducing** the length of **a long shaft**.



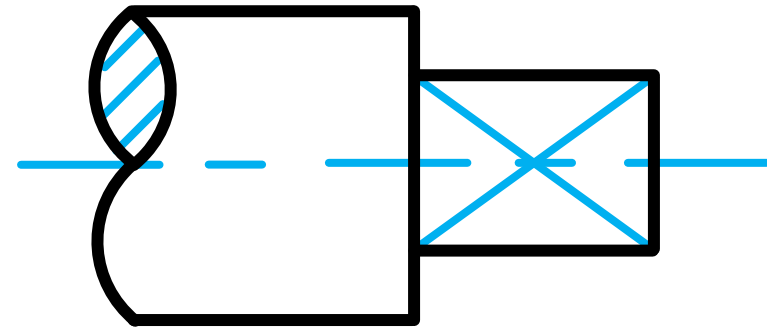
PRESENTATION OF COMMON FEATURES

- A representation of a **tapered shaft**.



PRESENTATION OF COMMON FEATURES

- The conventional representation of a **square on a shaft**.



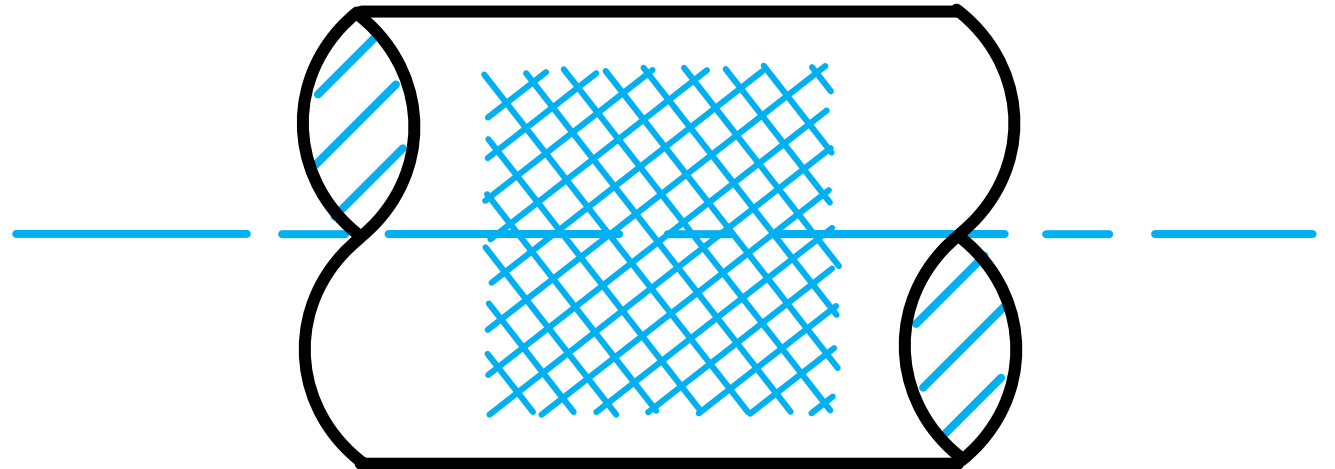
PRESENTATION OF COMMON FEATURES

- The conventional representation of **parallel knurling**.



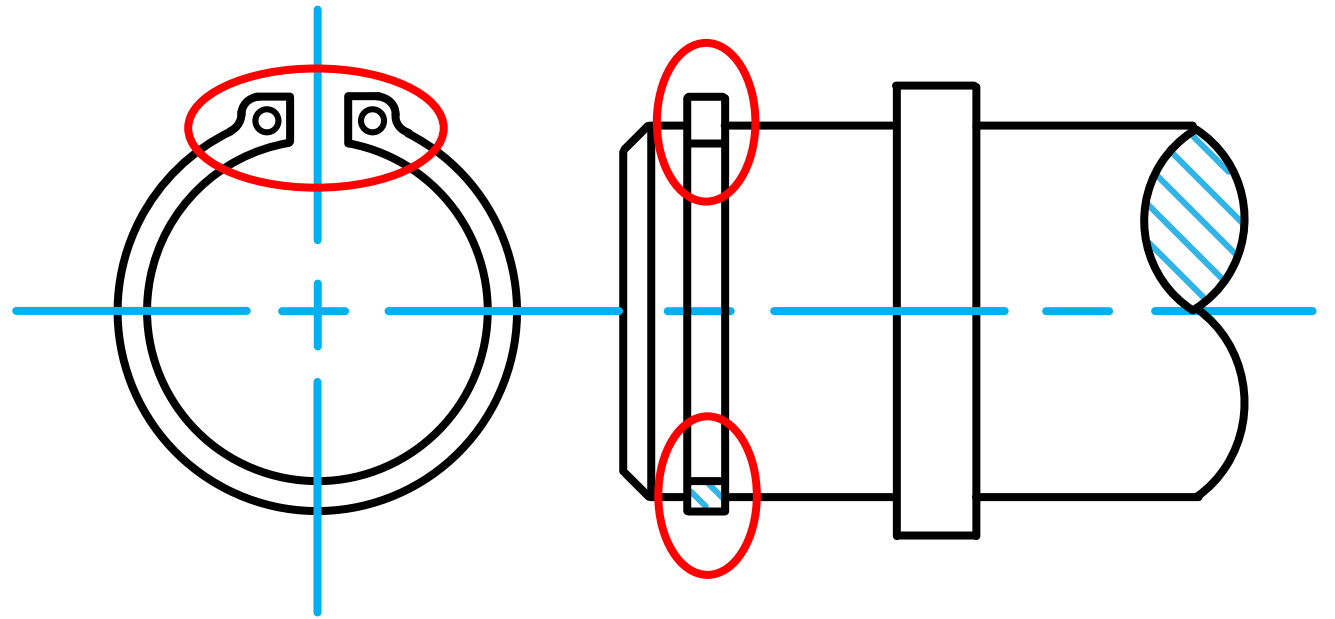
PRESENTATION OF COMMON FEATURES

- The conventional representation of **diamond knurling**.



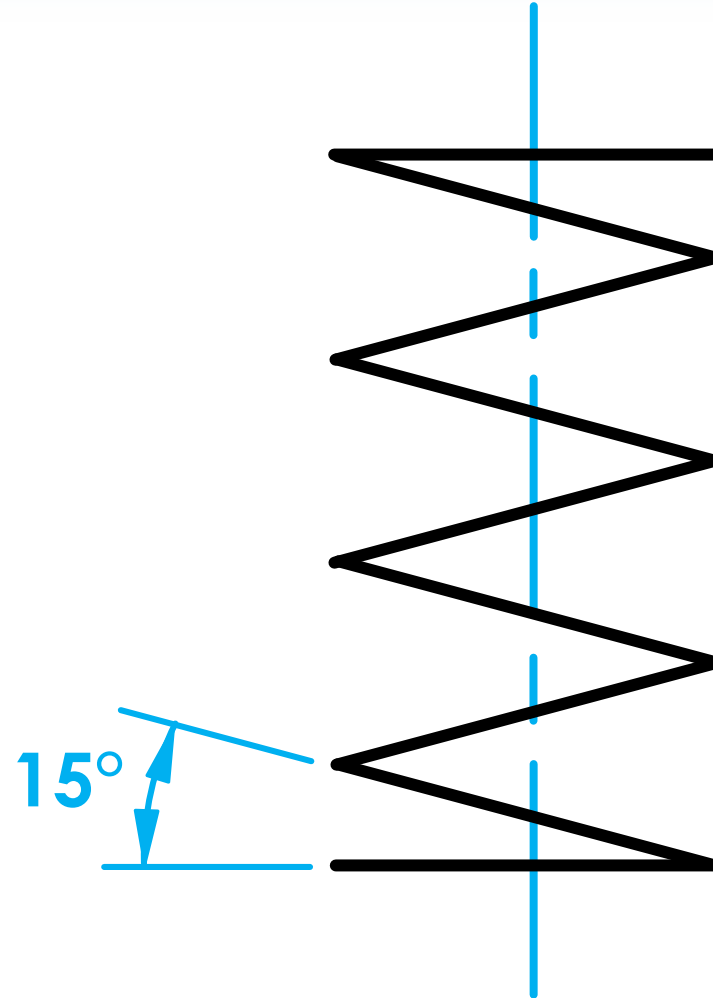
PRESENTATION OF COMMON FEATURES

- A **circlip** should only be hatched on the bottom end.



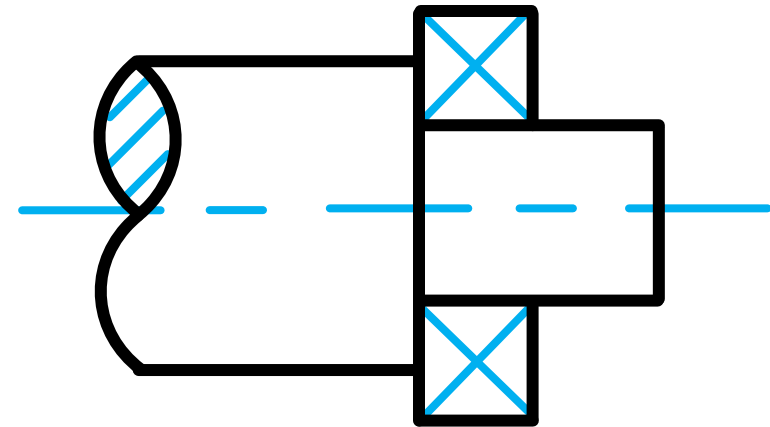
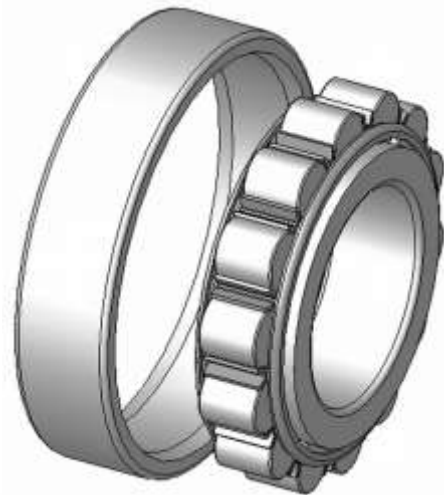
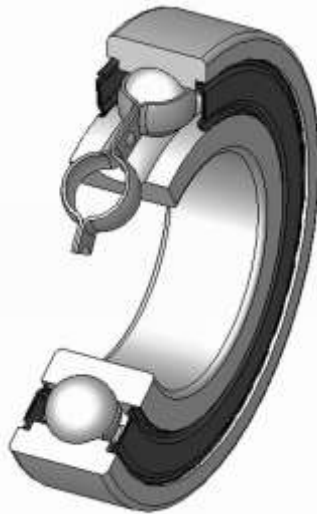
PRESENTATION OF COMMON FEATURES

- The conventional representation of a **helical spring**.



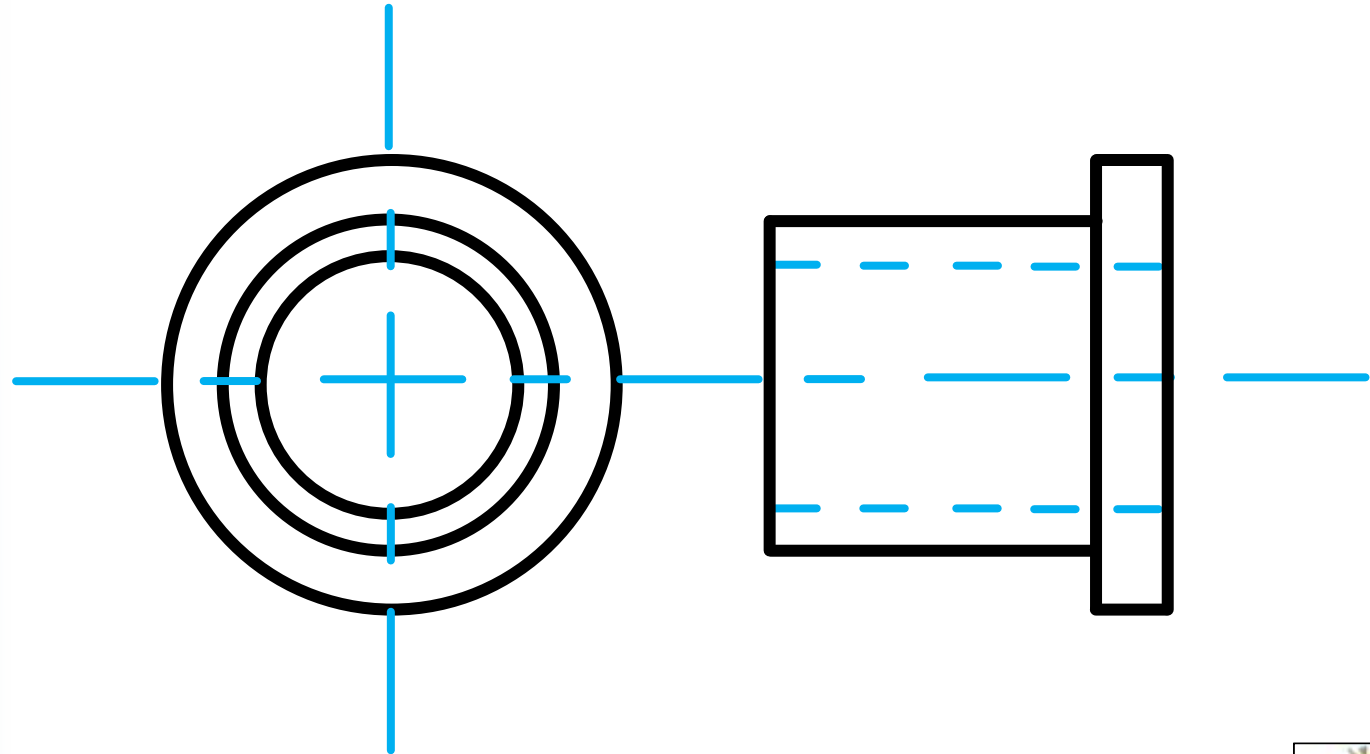
PRESENTATION OF COMMON FEATURES

- The conventional representation of a **bearing**.



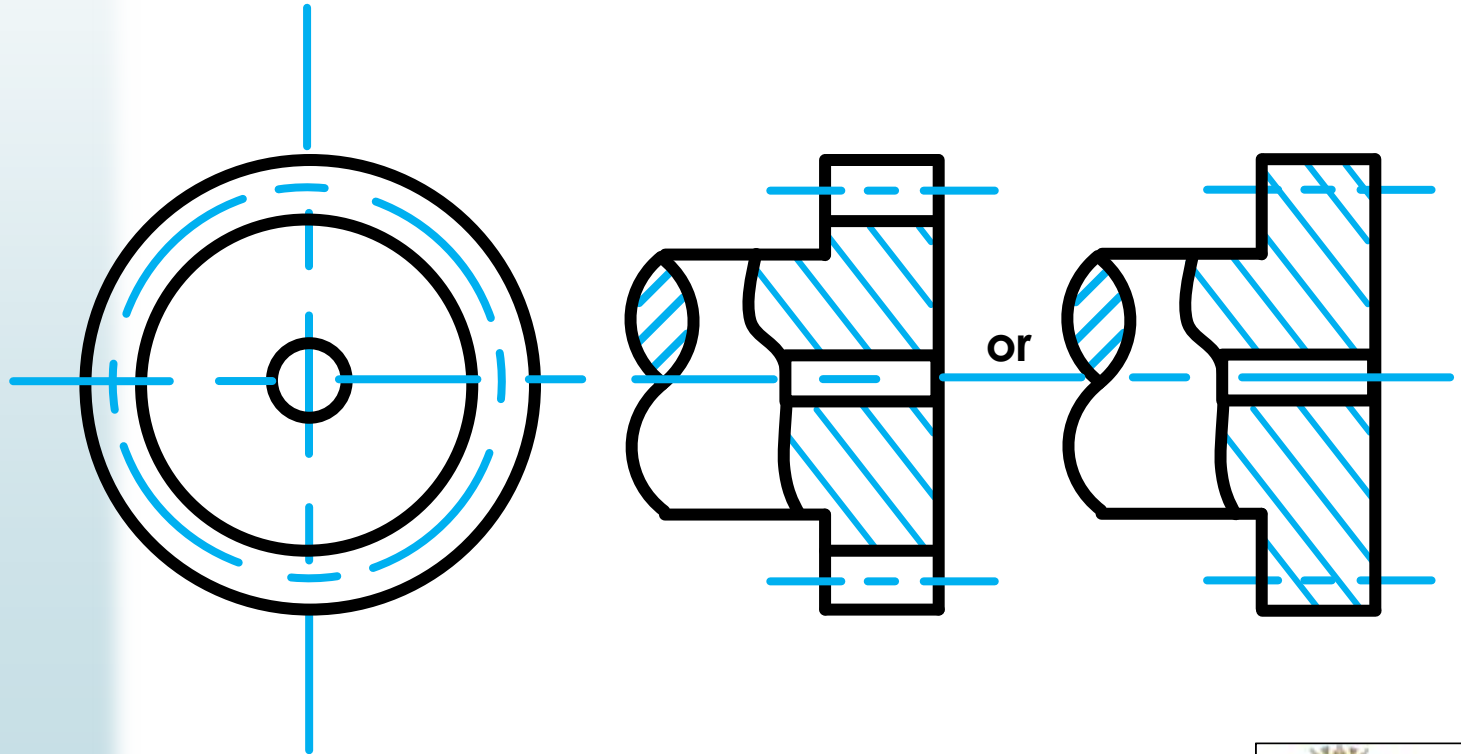
PRESENTATION OF COMMON FEATURES

- A representation of a **bush**.



PRESENTATION OF COMMON FEATURES

- The conventional representation of a gear.
 - Equal number of teeth.



PRESENTATION OF COMMON FEATURES

- ▶ The conventional representation of a gear.
 - ▶ Unequal number of teeth.

