

QUESTION 2: SANS 10111 SYMBOLS

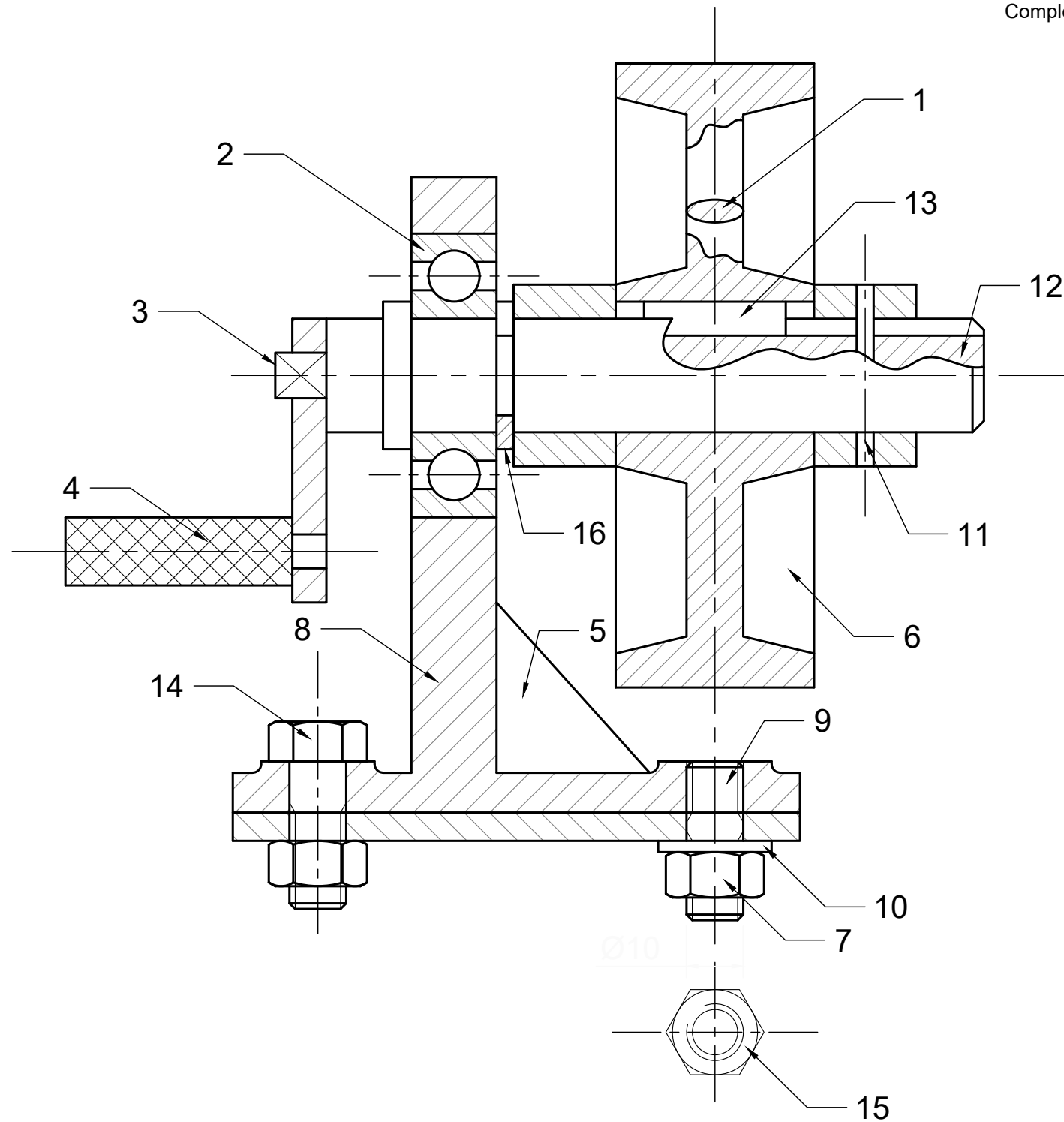
Given:

A front view of a hand driven pulley system and a table with questions.

Instructions:

Complete the table by writing the number of the feature describing the part the best.

[20]



QUESTIONS		ANSWERS	
1	Diamond knurling	1	
2	A stud	1	
3	A pen	1	
4	A revolved sectioning	1	
5	A washer	1	
6	A web	1	
7	A bolt	1	
8	A partly sectioned area	1	
9	A square on a shaft-end	1	
10	A bearing	1	
11	A nut	1	
12	A key	1	
13	A pulley	1	
14	An auxiliary view	1	
15	A rib	1	
16	A circlip	1	
17	In the space provided below, draw, in free hand, the conventional symbol for a bearing.	4	
TOTAL		20	

ANSWER 17