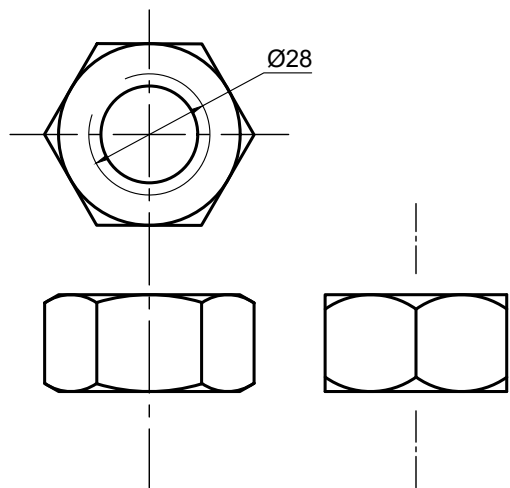
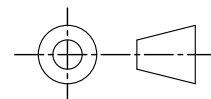


ITEM: 1



ITEM: 2



QUESTION 4: MECHANICAL ASSEMBLY

GIVEN:

- The exploded isometric drawing of the parts of a pintle wedge.
- Orthographic views of each of the parts of the pintle wedge.

INSTRUCTIONS:

Answer this question on page 6.

Draw, to scale 1:1 and in third-angle orthographic projection, the following views of the assembled parts of the pintle wedge.

- A front view, as seen from the direction of the arrow shown on the exploded isometric drawing. Show three sides of the nut in this view.
- A top view.
- A sectioned right view. Use the cutting plane AA to determine the section view.

NOTE:

- This drawing must comply with the guidelines contained in the SABS 0111.
- No hidden detail is required.
- Add the following to the drawing:
 - The section line AA
 - The projection system symbol for the system of projection used.
 - Between 5 mm guidelines neatly supply the drawing with a title and scale in the title blocks provided.

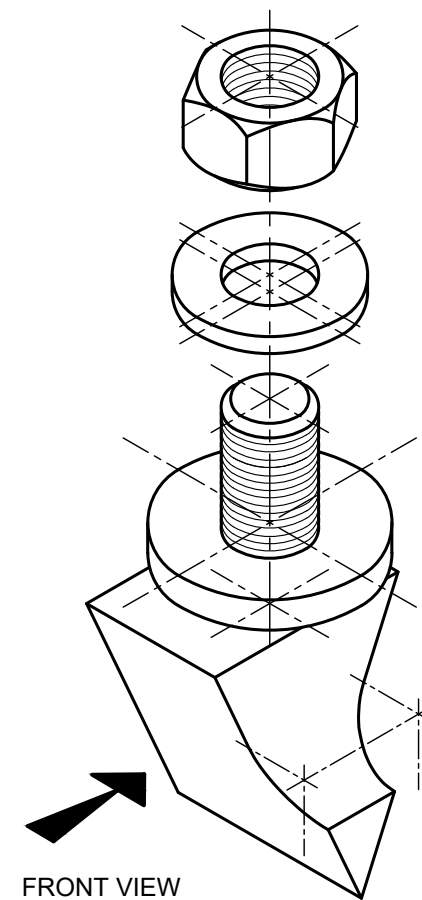
PINTLE WEDGE
SCALE 1:1

- Between 3 mm guidelines name the sectioned view
SECTIONED RIGHT VIEW ON AA

[57]

LIST OF PARTS

ITEM	PART	AMOUNT	MATERIAL
1	PINTLE WEDGE	1	CAST IRON
2	WASHER (NOT SHOWN)	1	SOFT STEEL
3	M 28 NUT	1	SOFT STEEL



FRONT VIEW

TITLE & SCALE			
PROJECTION SYMBOL			
ASSESSMENT CRITERIA			
FRONT VIEW			
1	PINTLE WEDGE	11	
2	WASHER	1.5	
3	M28 NUT	7.5	
SUB TOTAL 1		20	
SECTIONED RIGHT VIEW			
1	PINTLE WEDGE	13	
2	WAHSER	2	
3	M28 NUT	6	
SUB TOTAL 2		21	
TOP VIEW			
1	PINTLE WEDGE	4	
2	WASHER	1	
3	M28 NUT	4	
SUB TOTAL 3		9	
GENERAL			
1	SECTION LINE	3	
2	PROJECTION SYMBOL	1	
3	TITLE	0.5	
4	SCALE	0.5	
5	CENTRE LINES	2	
SUBTOTAAL 4		7	
TOTAL		57	



MECHANICAL ASSEMBLY	ESTIMATED TIME FOR COMPLETION	35 MIN	GRADE	NAME & SURNAME	TASK	PAGE
	YOUR TIME OF COMPLETION	MIN	11			