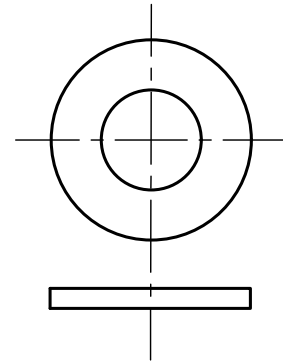
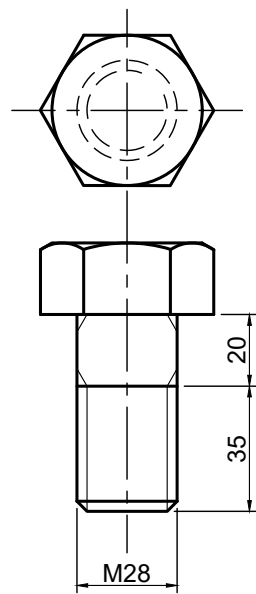


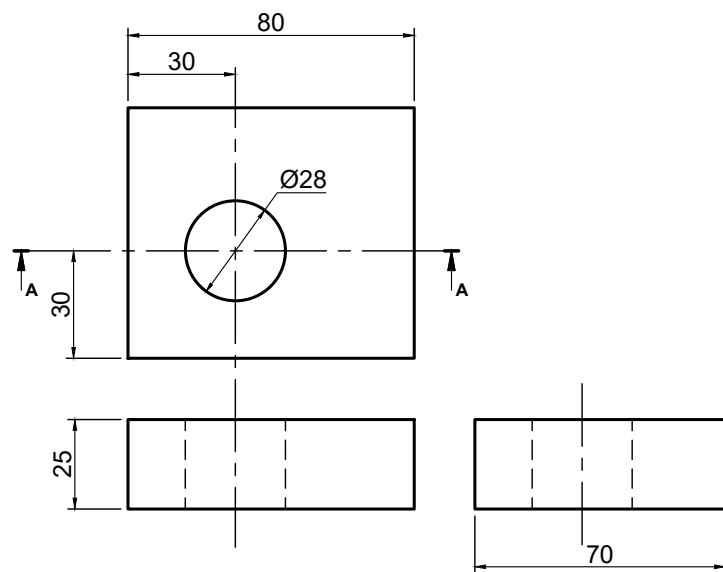
ITEM No: 1



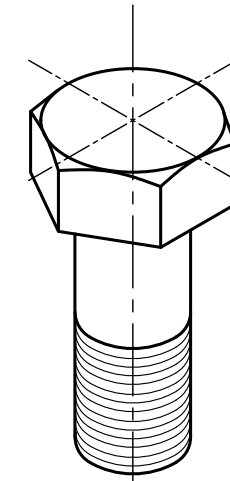
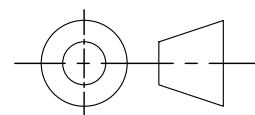
ITEM No: 4



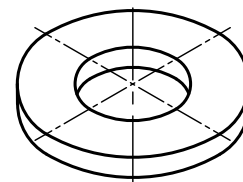
ITEM No: 3



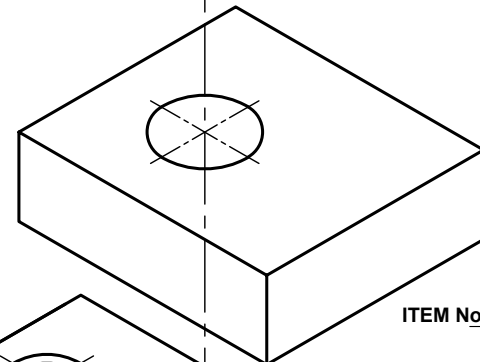
ITEM No: 2



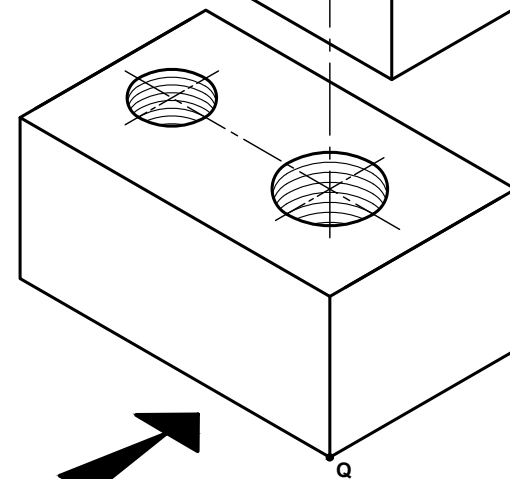
ITEM No: 3



ITEM No: 4



ITEM No: 2



ITEM No: 1

QUESTION 2: MECHANICAL ASSEMBLY

GIVEN:

- An exploded isometric drawing of a plate assembly, showing the position of each part relative to all the other parts.
- Orthographic views of most of the parts.
- An answer sheet with the assessment criteria on page 9.4

INSTRUCTIONS:

Answer this question on page 9.4.

Draw, to scale 1:1 and in third-angle orthographic projection, the following assembled views of the plate assembly.

- A sectional front view, as seen from the direction of the arrow shown on the exploded isometric drawing. Show three sides of the bolt in this view. The centre line drawn from left to right through the top view, determines the section in the front view
- A top view.
- A right view.

NOTE:

All drawings must comply with the guidelines contained in the SANS 10 111.

No hidden detail is required.

Add the following to the drawing:

- The projection system symbol for the system of projection used.
- Between 6 mm guidelines neatly supply the drawing with a title.
- between 4 mm guidelines neatly supply the drawing with the scale in the areas provided.

PLATE ASSEMBLY

SCALE 1:1

[44]

LIST OF PARTS			
ITEM No	DESCRIPTION	TOTAL	MATERIAL
1	BASE	1	CAST IRON
2	COVER PLATE	1	CAST IRON
3	M28 BOLT	1	SOFT STEEL
4	WASHER	1	SOFT STEEL

