

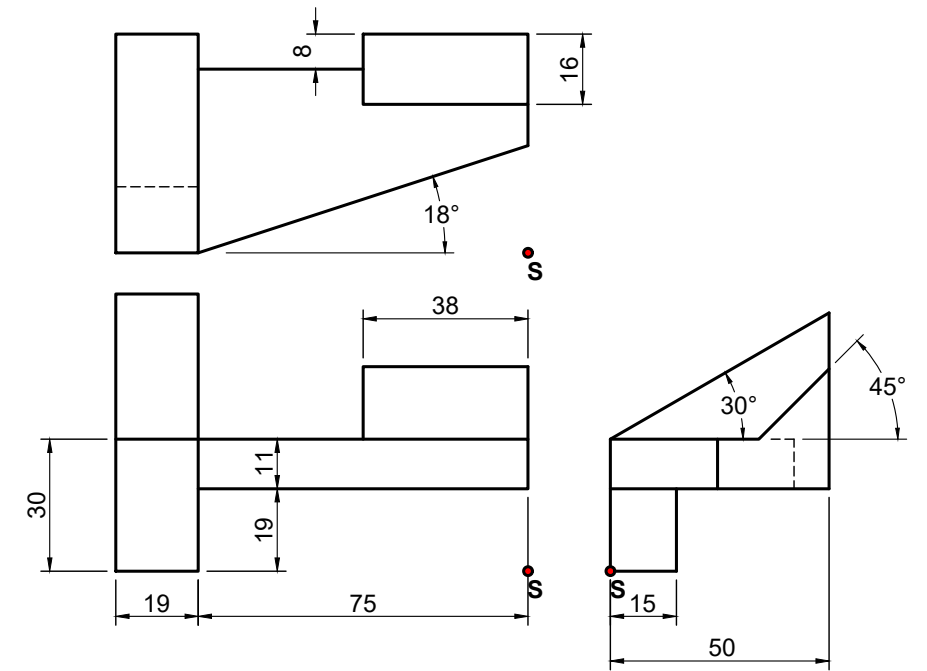
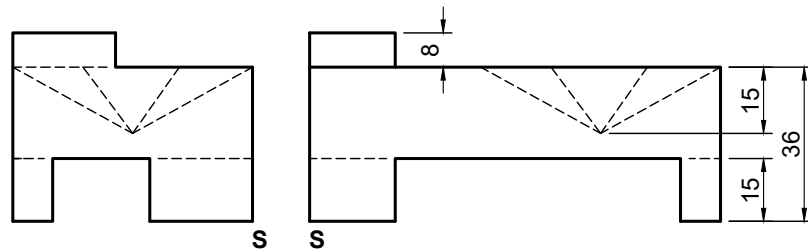
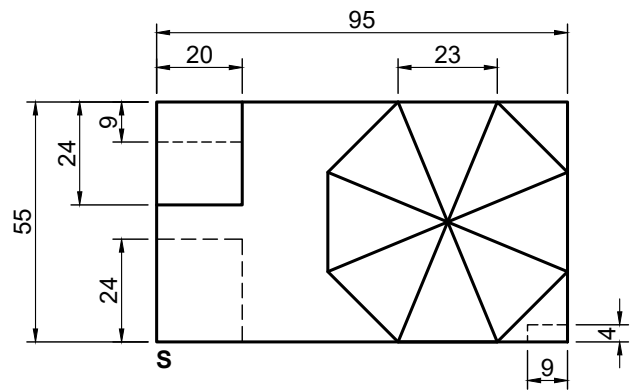
**QUESTION 3: ISOMETRIC DRAWING**

**Given:**  
The front view, top view and side view of a casting.  
The position of point S.

**Instructions:**  
Use a scale of 1:1 to convert the orthographic view of the casting into a sectional isometric drawing.

- Make S the lowest point of the drawing.
- Show ALL necessary constructions.
- NO hidden detail is required.

[44]



S

S



ASSESSMENT CRITERIA				ASSESSMENT CRITERIA			
1	START POSITION	2		1	START POSITION	2	
2	BASE	13.5		2	BASE	8.5	
3	AUXILIARY VIEW	3		3	FIN - BACK	4	
4	OCTAGON	6.5		4	FIN - FRONT	4.5	
PENALIZING (-1)				PENALIZING (-)			
<b>SUB TOTAL 1</b>				<b>SUB TOTAL 2</b>			
		<b>25</b>				<b>19</b>	
<b>SUB TOTAL 1</b>				<b>TOTAL TASK 3.1</b>			
		<b>25</b>				<b>44</b>	

ISOMETRIC DRAWING

ESTIMATED TIME FOR COMPLETION  
YOUR TIME OF COMPLETION

25x2 MIN  
MIN

GRADE  
**11**

NAME &  
SURNAME

TASK  
3.1

PAGE  
9