

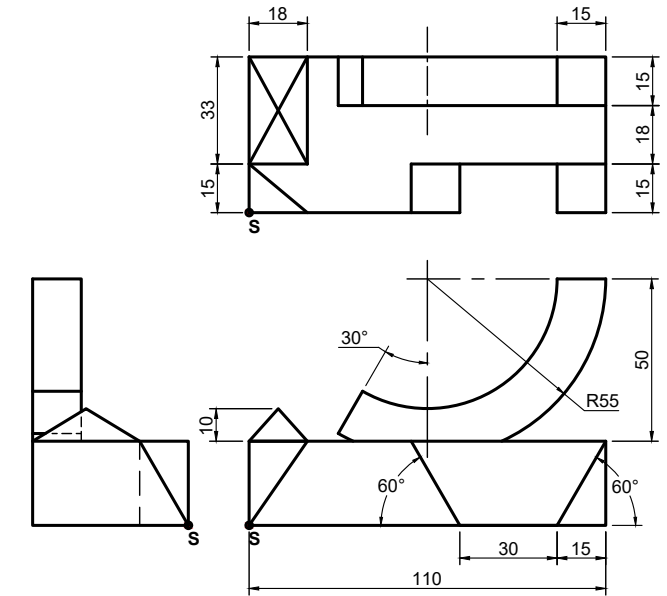
**QUESTION 3: ISOMETRIC DRAWING**

**Given:**  
The front view, top view and side view of a casting.  
The position of point S.

**Instructions:**  
Use a scale of 1:1 to convert the orthographic view of the casting into a sectional isometric drawing.

- Make S the lowest point of the drawing.
- Show ALL necessary constructions.
- NO hidden detail is required.

[59]



S

S

ASSESSMENT CRITERIA			
1	START POSITION	2	
2	BASE	6	
3	CIRCLE Ø26	5	
4	CIRCLE Ø40	6.5	
5	CIRCLE Ø50	4.5	
6	CENTRE LINES	3	
PENALIZING (-)			
<b>SUB TOTAL 1</b>		<b>27</b>	

ASSESSMENT CRITERIA			
1	START POSITION	2	
2	BASE	12.5	
3	PYRAMID	2.5	
4	CIRCLE	13	
5	CENTRE LINES	2	
PENALIZING (-)			
<b>SUB TOTAL 2</b>		<b>32</b>	
<b>TOTAL TASK 3.2</b>		<b>59</b>	



ISOMETRIC DRAWING

ESTIMATED TIME FOR COMPLETION  
YOUR TIME OF COMPLETION

30x2 MIN  
MIN

GRADE  
**11**

NAME &  
SURNAME

TASK  
3.2

PAGE  
10