



Grade 11 PAT

Research

Developed by: PC Viljoen
Senior Educational Specialist for
Engineering Graphics and Design
Free State Province

PAT Strategies

- This section should be done in the IT centre of the school or at home.
- Notes on research
 - The research must be **relevant** and usable.
 - There must be clear **evidence** that the research has been used **in the presentation drawings**.
 - The presentation of the research material may not exceed **THREE A4** or **TWO A3 pages** per research topic.
 - Include a list of ALL references (**bibliography**).

PAT Strategies

- This section should be done in the IT centre of the school or at home.
 - Learners should do research on the following
 - The correct SANS 10143 **bathroom and kitchen accessories**
 - The correct SANS 10143 **symbol for a ramp**
 - The correct SANS 10143 **symbol for a sliding door**
 - The correct SANS 10143 **symbol for a civil object to be removed**
 - The **general sizes** of all the required **bathroom, kitchen and window features**.

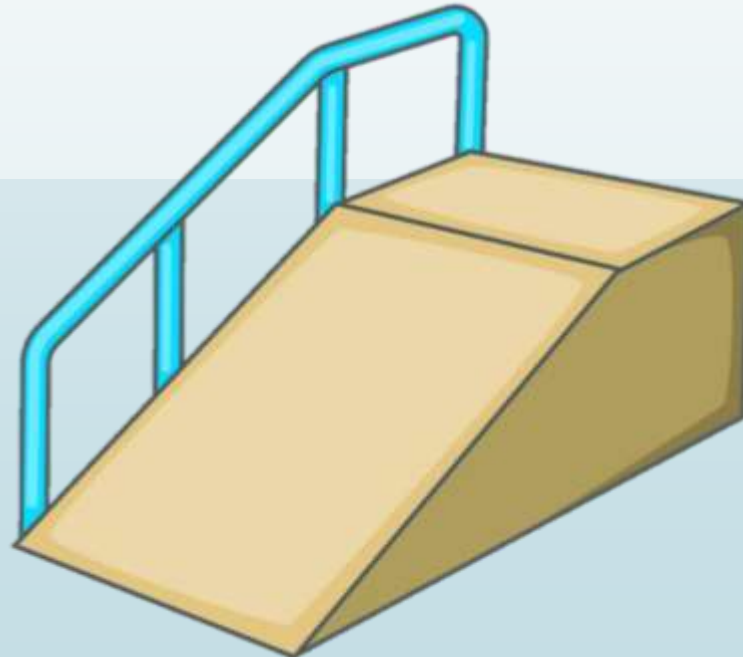
PAT Strategies

- ▶ This section should be done in the IT centre of the school or at home.
- ▶ Learners should do research on the following
 - ▶ The correct SANS 10143 **bathroom and kitchen accessories**



PAT Strategies

- This section should be done in the IT centre of the school or at home.
 - Learners should do research on the following
 - The correct SANS 10143 symbol for **a ramp**



PAT Strategies

- This section should be done in the IT centre of the school or at home.
 - Learners should do research on the following
 - The correct SANS 10143 symbol for a **sliding door**



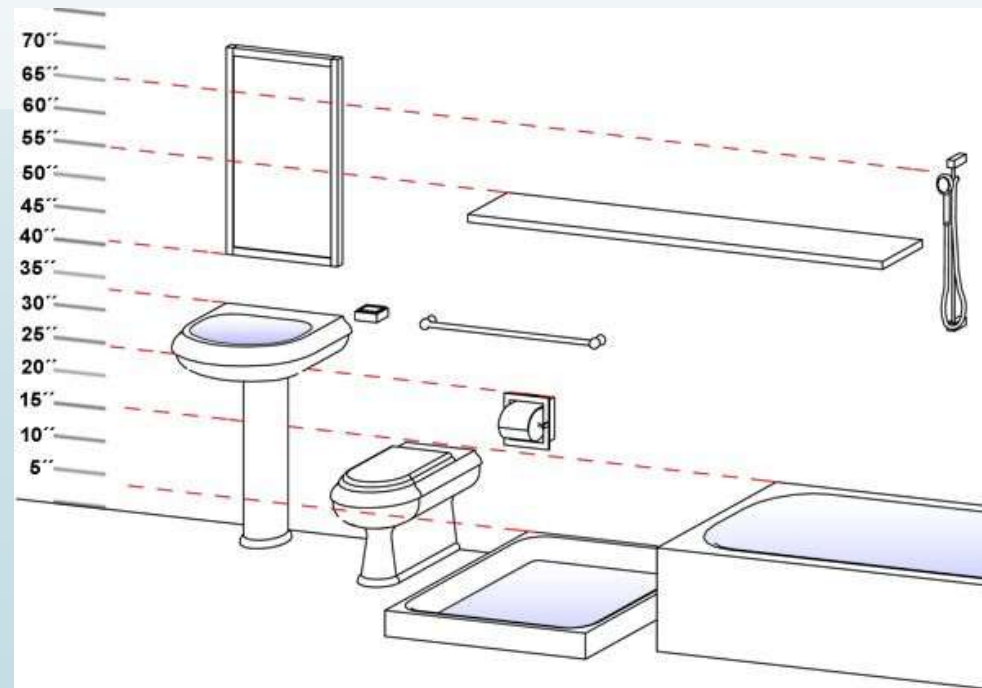
PAT Strategies

- This section should be done in the IT centre of the school or at home.
 - Learners should do research on the following
 - The correct SANS 10143 symbol for a civil **object to be removed**



PAT Strategies

- This section should be done in the IT centre of the school or at home.
- Learners should do research on the following
 - The **general sizes** of all the required **bathroom, kitchen and window features**.



PAT Strategies

- Learners **will be evaluated** on the information listed on the Assessment Criteria and Checklist sheet (grade 11 Civil PAT p 3-6)

2	Do RESEARCH on:				
	The correct SANS 10143 bathroom and kitchen accessories	2			
	The correct SANS 10143 symbol for a ramp	1			
	The correct SANS 10143 symbol for a sliding door	2			
	The correct SANS 10143 symbol for a civil object to be removed	1			
	The general sizes of all the required bathroom, kitchen and window features.	2			
	Evidence on the working drawings that the research has been used.	1			
	A list of ALL references (Bibliography)	1			
	TOTAL	10			

PAT Strategies

- Learners can use the Assessment Criteria and Checklist sheet (grade 11 Civil p 3-6) to complete the **management plan** by supplying the dates of completion

2 Do some RESEARCH on					
<u>No</u>	<u>Assignment</u>	<u>Mark</u>	<u>Learner mark</u>	<u>Date of completion</u>	<u>Remarks</u>
2.1	What is a rodding eye	2			
2.2	Inspection eyes on 50 mm PVC sewer pipes	2			
2.3	Different connector couplings	2			
2.4	Accessories for a wheel chair friendly bath room.	2			
2.5	Evidence on the working drawings that the research has been used.	1			
2.6	Bibliography/List of sources included.	1			
	TOTAL	10			

PAT Strategies

- Let the learners do **self evaluation** according to the Assessment Criteria and Checklist sheet as they progress with each phase (grade 11 Civil p 3-6)

2 Do some RESEARCH on					
<u>No</u>	<u>Assignment</u>	<u>Mark</u>	<u>Learner mark</u>	<u>Date of completion</u>	<u>Remarks</u>
2.1	What is a rodding eye	2			
2.2	Inspection eyes on 50 mm PVC sewer pipes	2			
2.3	Different connector couplings	2			
2.4	Accessories for a wheel chair friendly bath room.	2			
2.5	Evidence on the working drawings that the research has been used.	1			
2.6	Bibliography/List of sources included.	1			
	TOTAL	10			

PAT Strategies

- File in either A4 or A3 format, all current pages of the PAT in the correct sequence
- Use dividers between the topics.

