



2-Point-Perspective Drawing

Principles

Grade 11 & 12

Developed by: PC Viljoen
Senior Educational Specialist for
Engineering Graphics and Design
Free State Province

2-Point-Perspective Drawing

Question

QUESTION 3: PERSPECTIVE

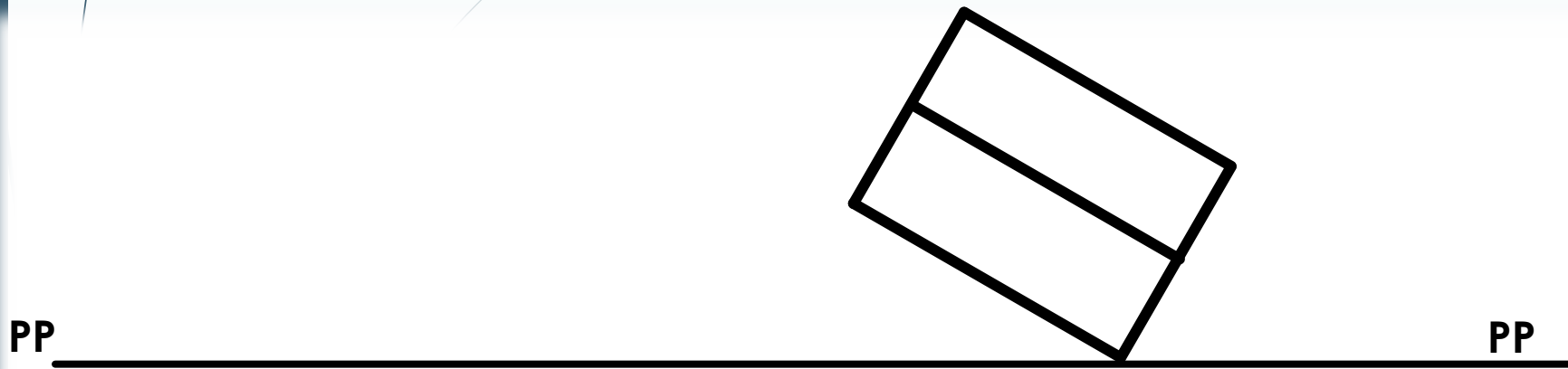
Given:

Three views of a shelter with a viewing deck and the information needed to draw a two-point perspective drawing
PP – Picture plane
HL – Horizon line
GL – Ground line
SP – Station point

Instructions:

Complete the perspective drawing.

- Align the drawing sheet with the ground line (GL).
- Determine and label the vanishing points.
- Show ALL necessary construction.
- NO hidden detail is required. [40]



+ SP



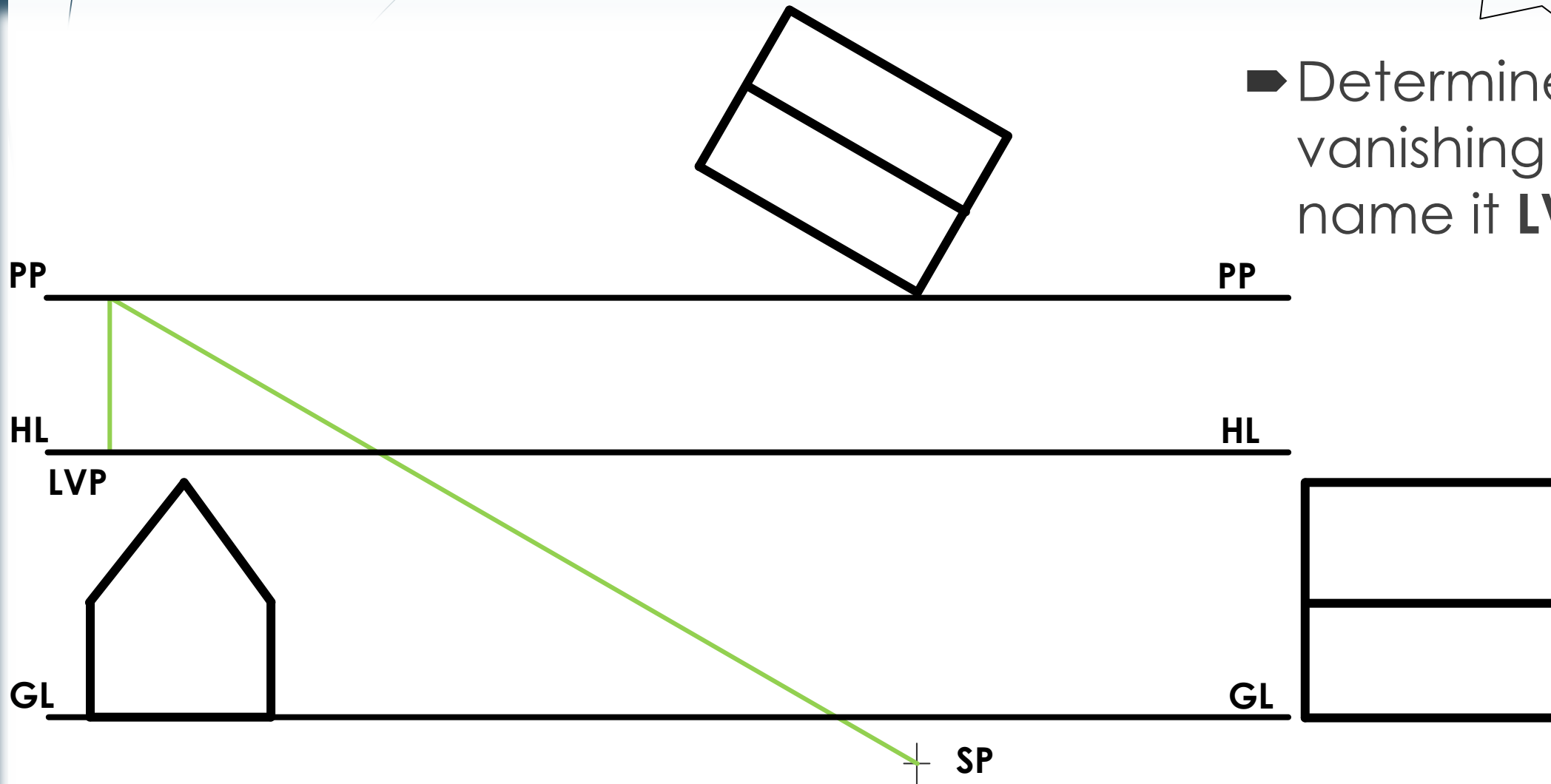
education

Department of
Education
FREE STATE PROVINCE

2-Point-Perspective Drawing

Step 1

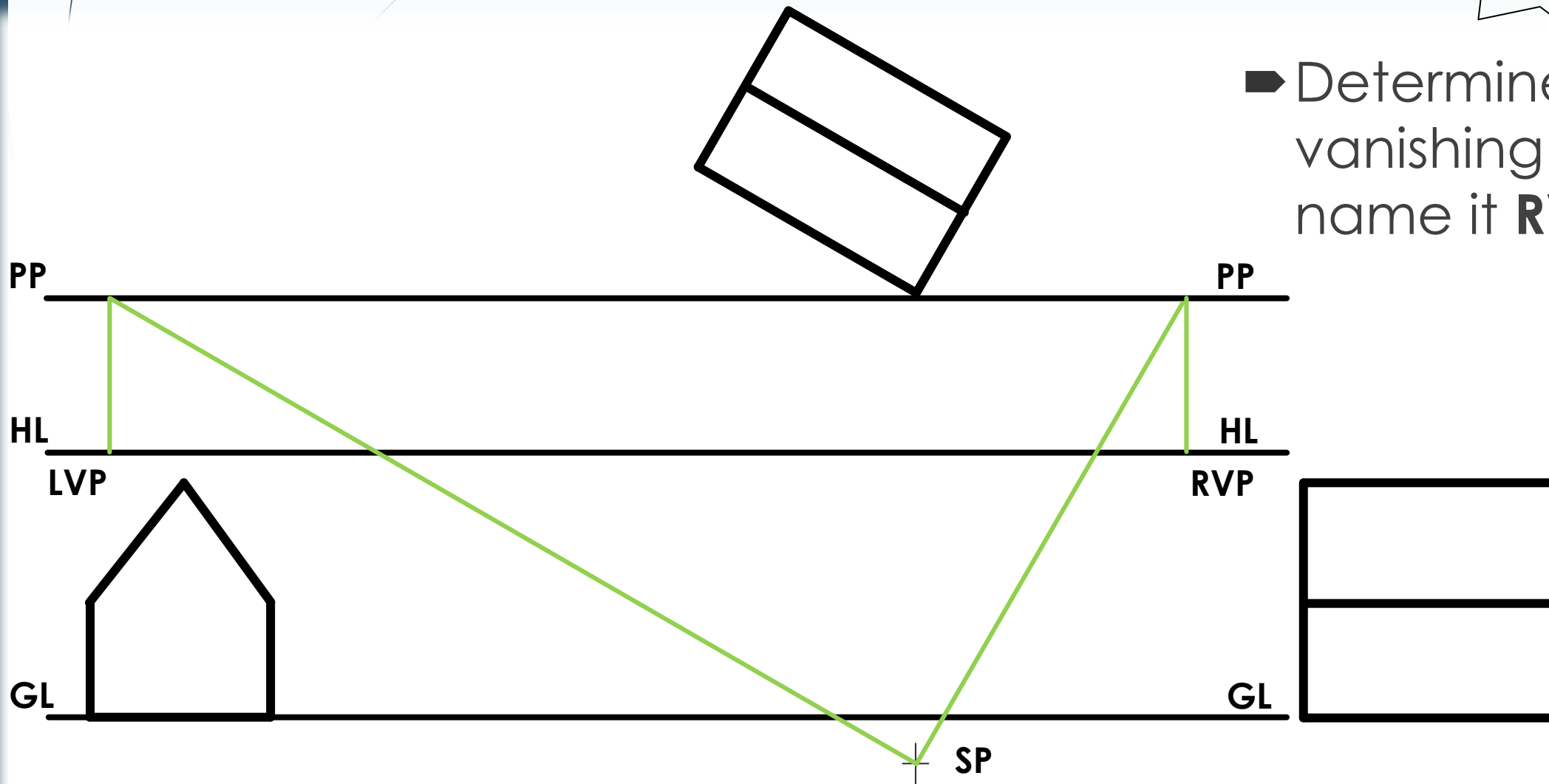
- Determine the left vanishing point & name it **LVP**.



2-Point-Perspective Drawing

Step 2

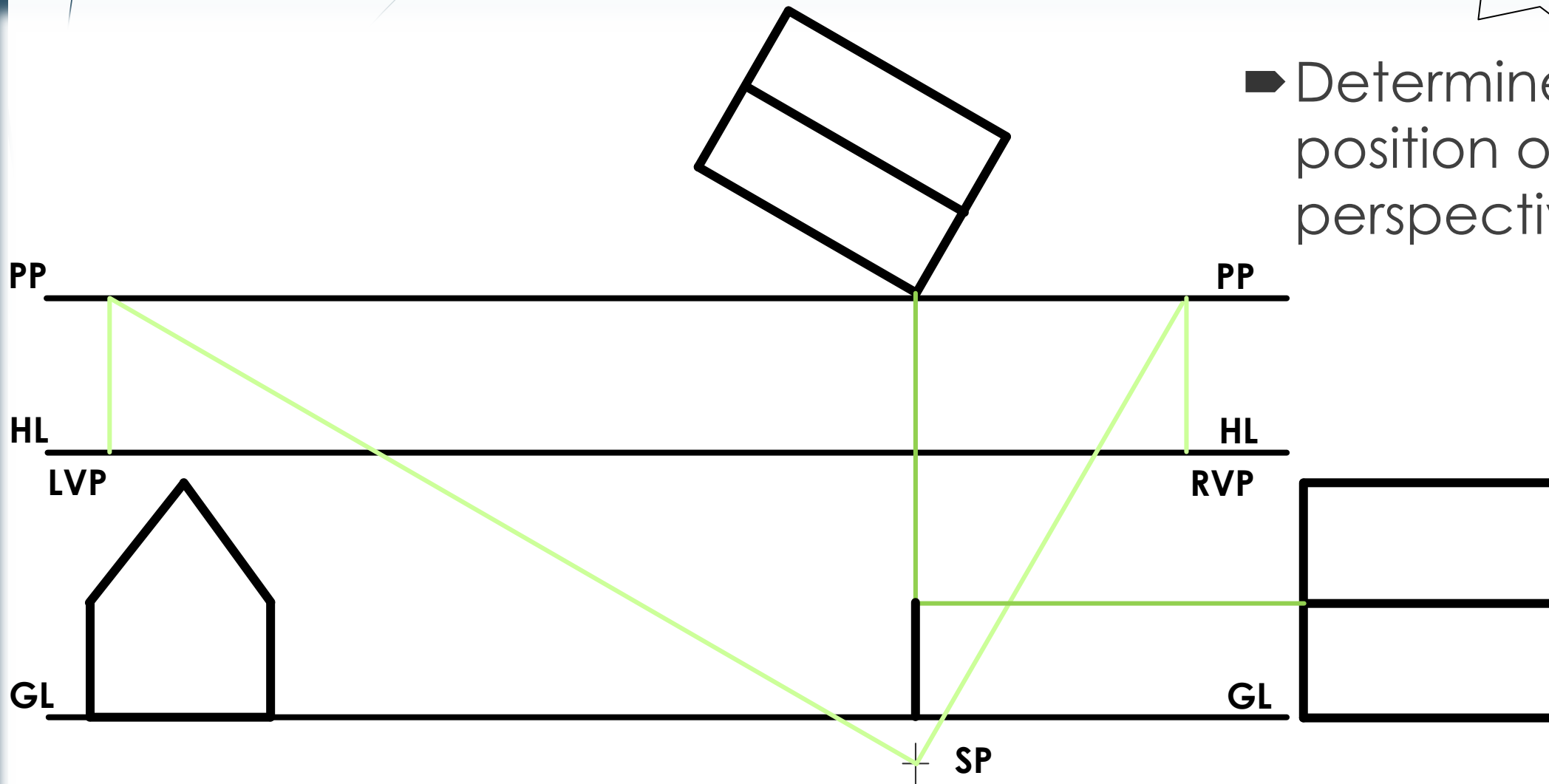
- Determine the right vanishing point & name it **RVP**.



2-Point-Perspective Drawing

Step 3

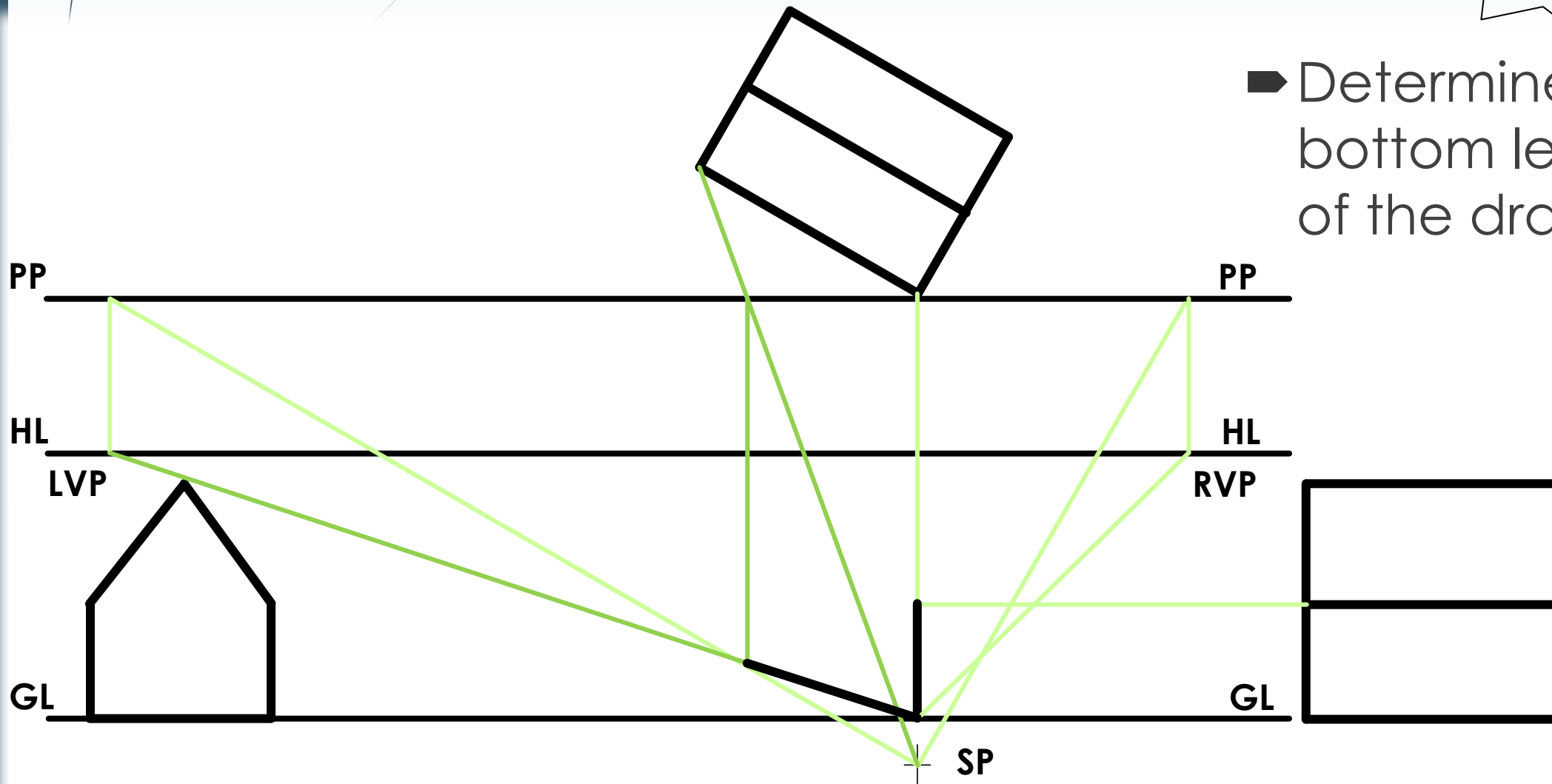
- Determine the start position of the perspective drawing



2-Point-Perspective Drawing

Step 5

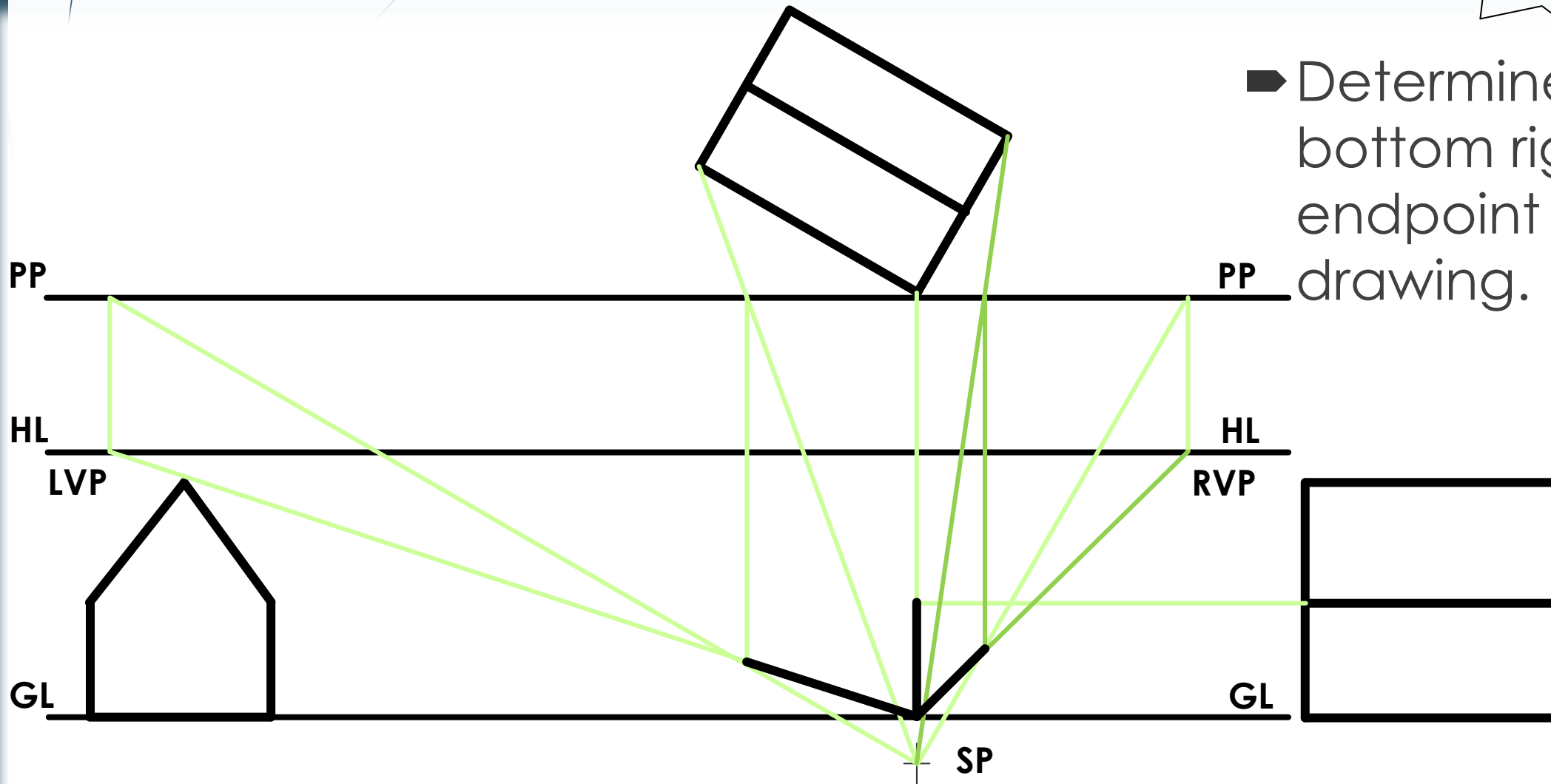
- Determine the bottom left endpoint of the drawing.



2-Point-Perspective Drawing

Step 6

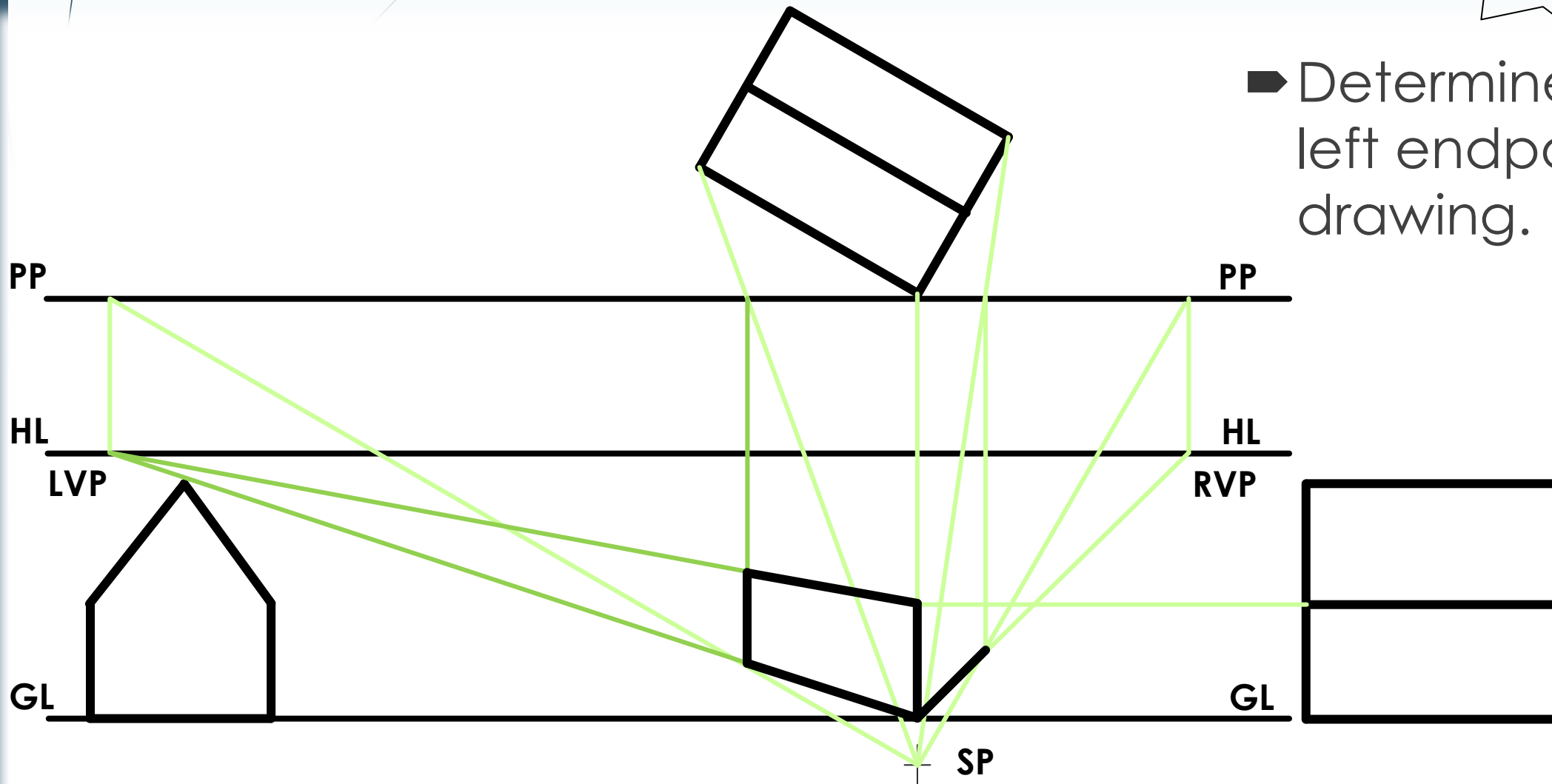
➡ Determine the bottom right endpoint of the drawing.



2-Point-Perspective Drawing

Step 7

- Determine the top left endpoint of the drawing.



2-Point-Perspective Drawing

Step 10

- Determine the right start point of the roof

