



2-Point-Perspective Drawing

Principles

Grade 11 & 12

Developed by: PC Viljoen
Senior Educational Specialist for
Engineering Graphics and Design
Free State Province

2-Point-Perspective Drawing

Question

QUESTION 3: PERSPECTIVE

Given:

Three views of a shelter with a viewing deck and the information needed to draw a two-point perspective drawing

PP – Picture plane

HL – Horizon line

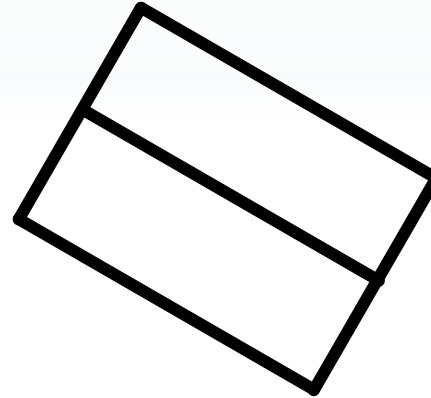
GL – Ground line

SP – Station point

Instructions:

Complete the perspective drawing.

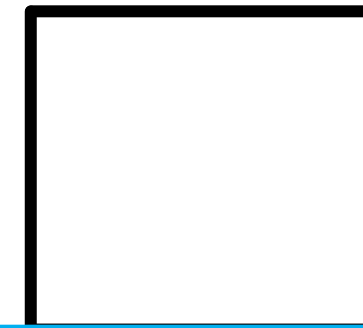
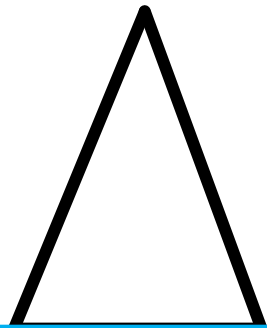
- Align the drawing sheet with the ground line (GL).
- Determine and label the vanishing points.
- Show ALL necessary construction.
- NO hidden detail is required. [40]



PP

HL

GL



GL

+ SP



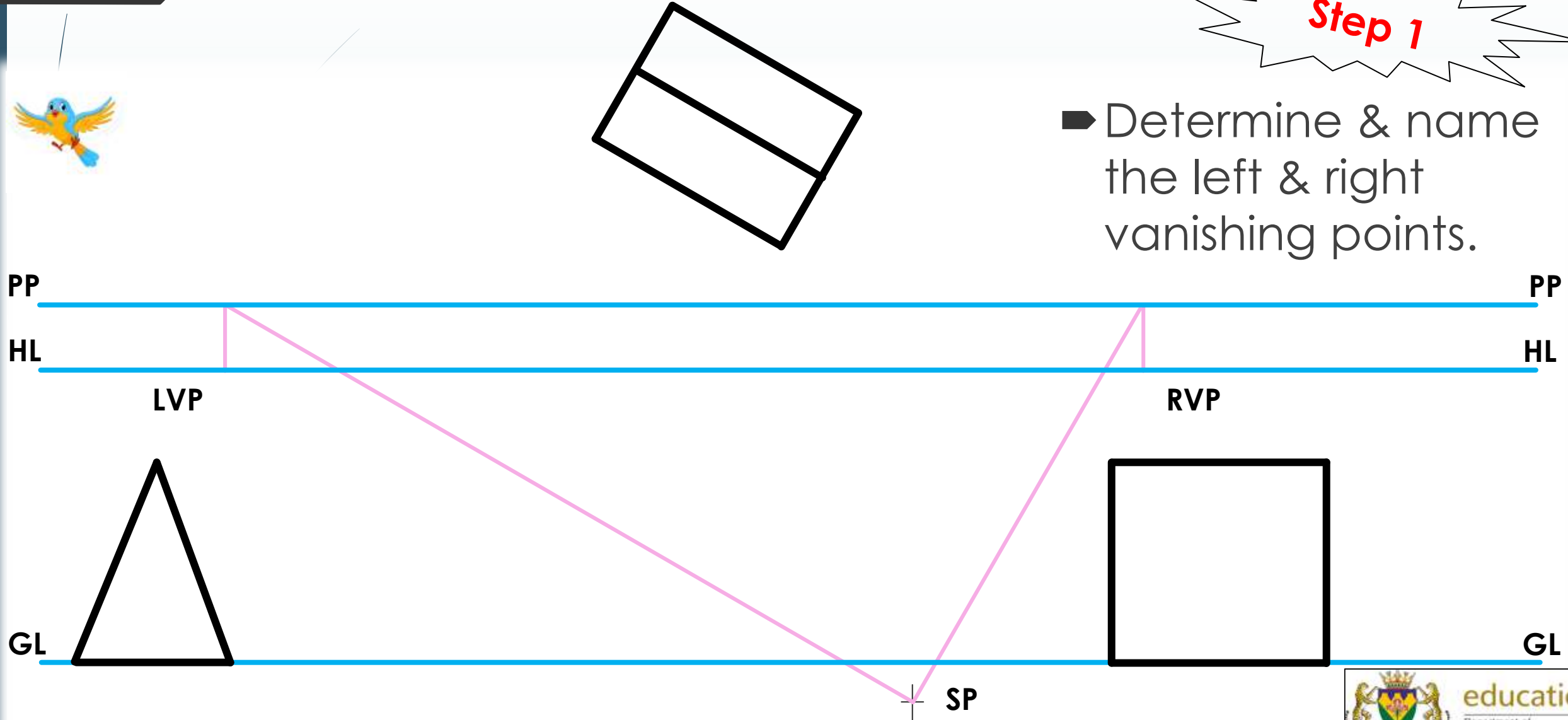
education

Department of
Education
FREE STATE PROVINCE

2-Point-Perspective Drawing

Step 1

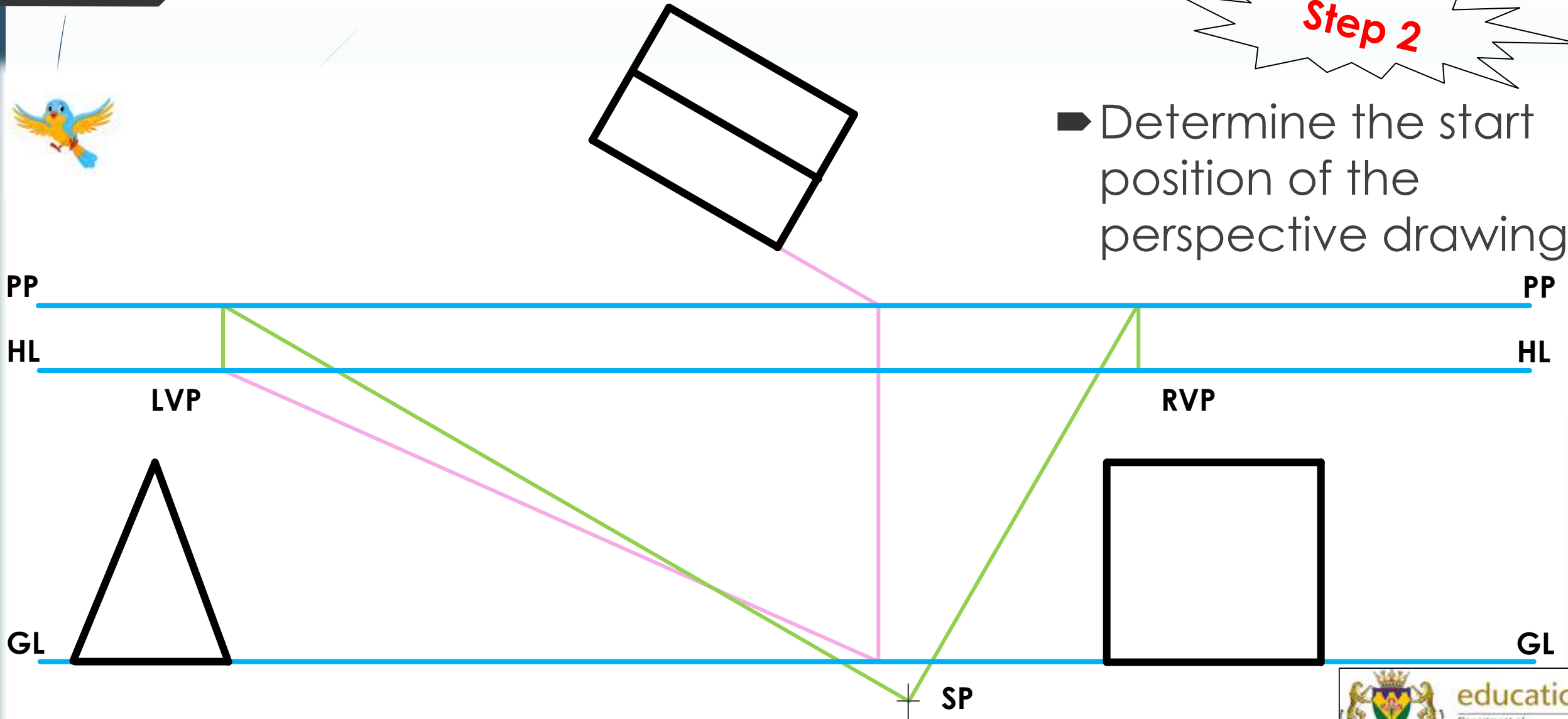
- Determine & name the left & right vanishing points.



2-Point-Perspective Drawing

Step 2

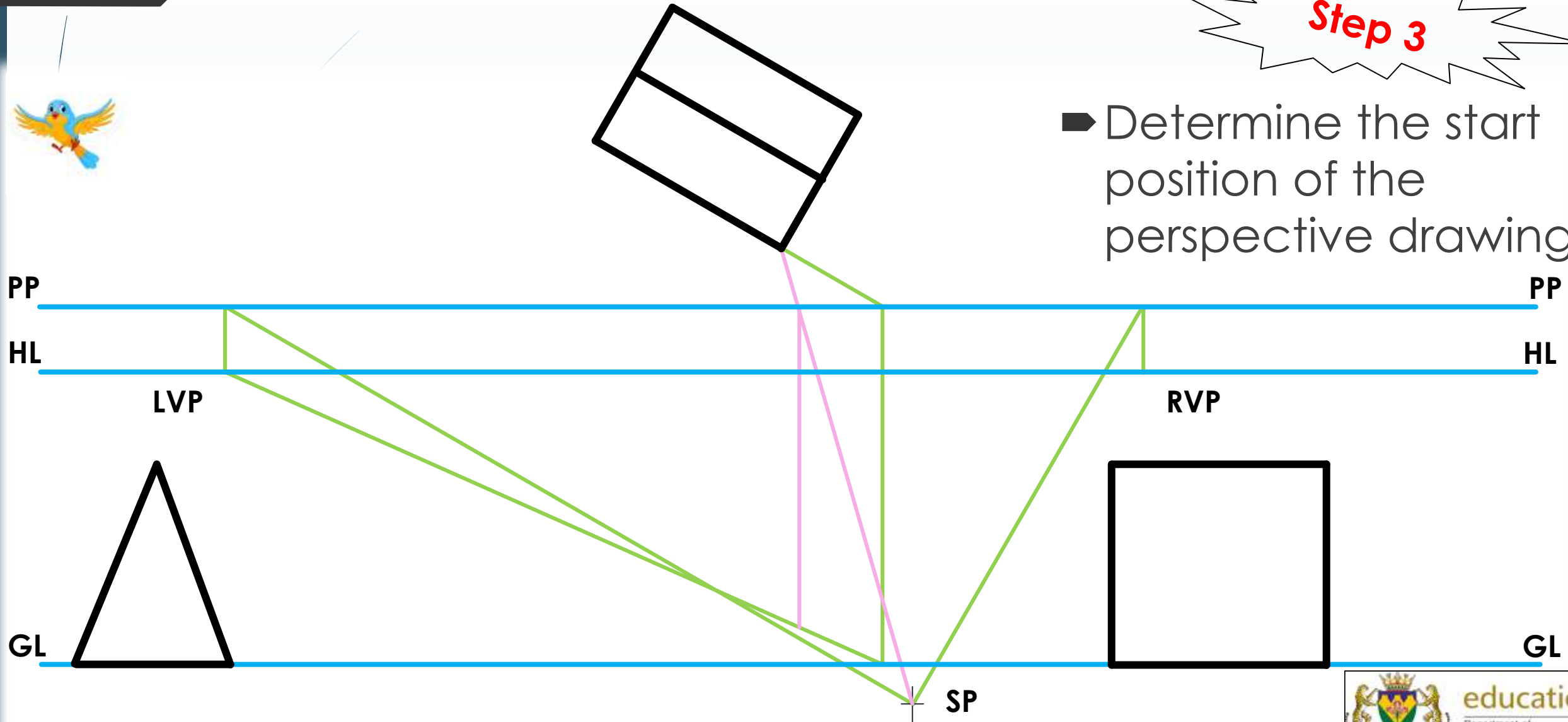
➤ Determine the start position of the perspective drawing



2-Point-Perspective Drawing

Step 3

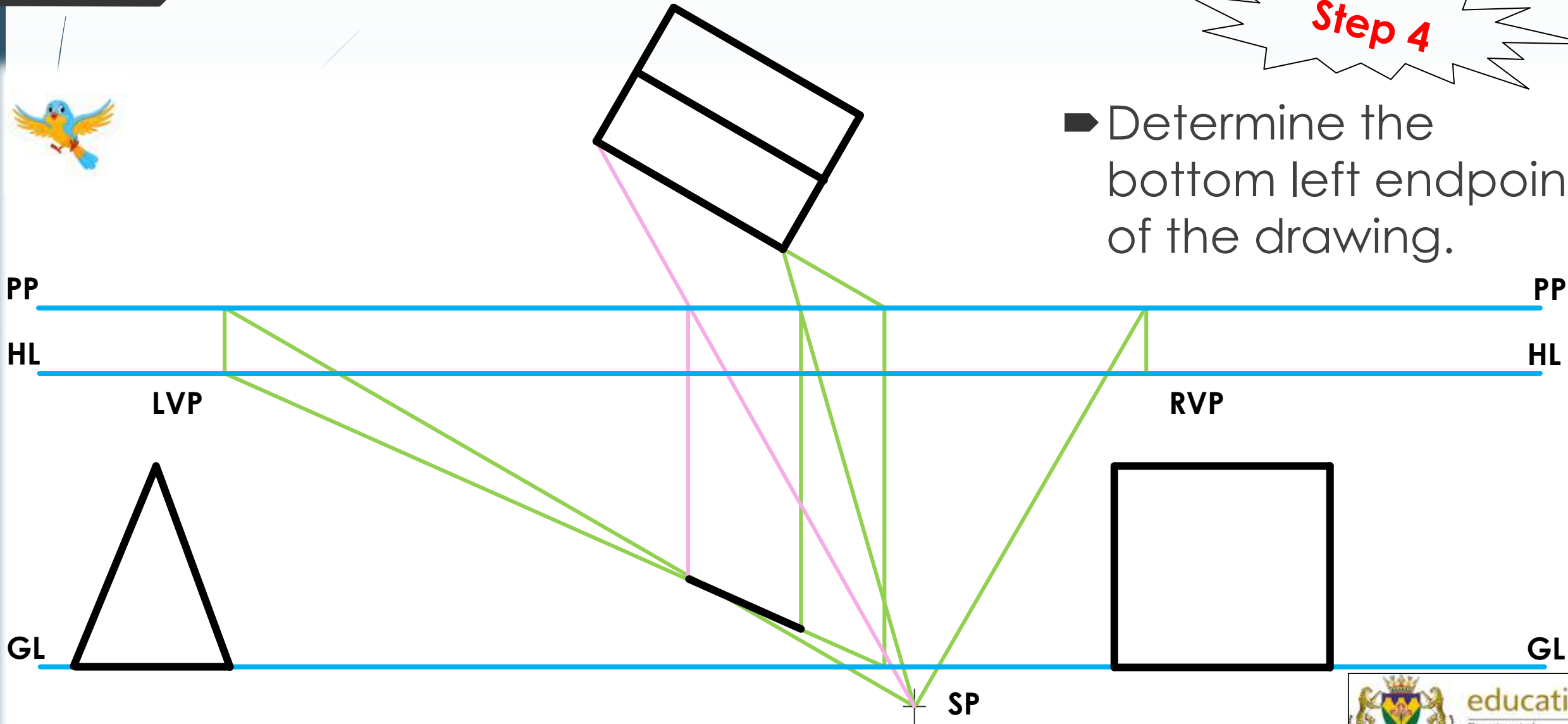
- Determine the start position of the perspective drawing



2-Point-Perspective Drawing

Step 4

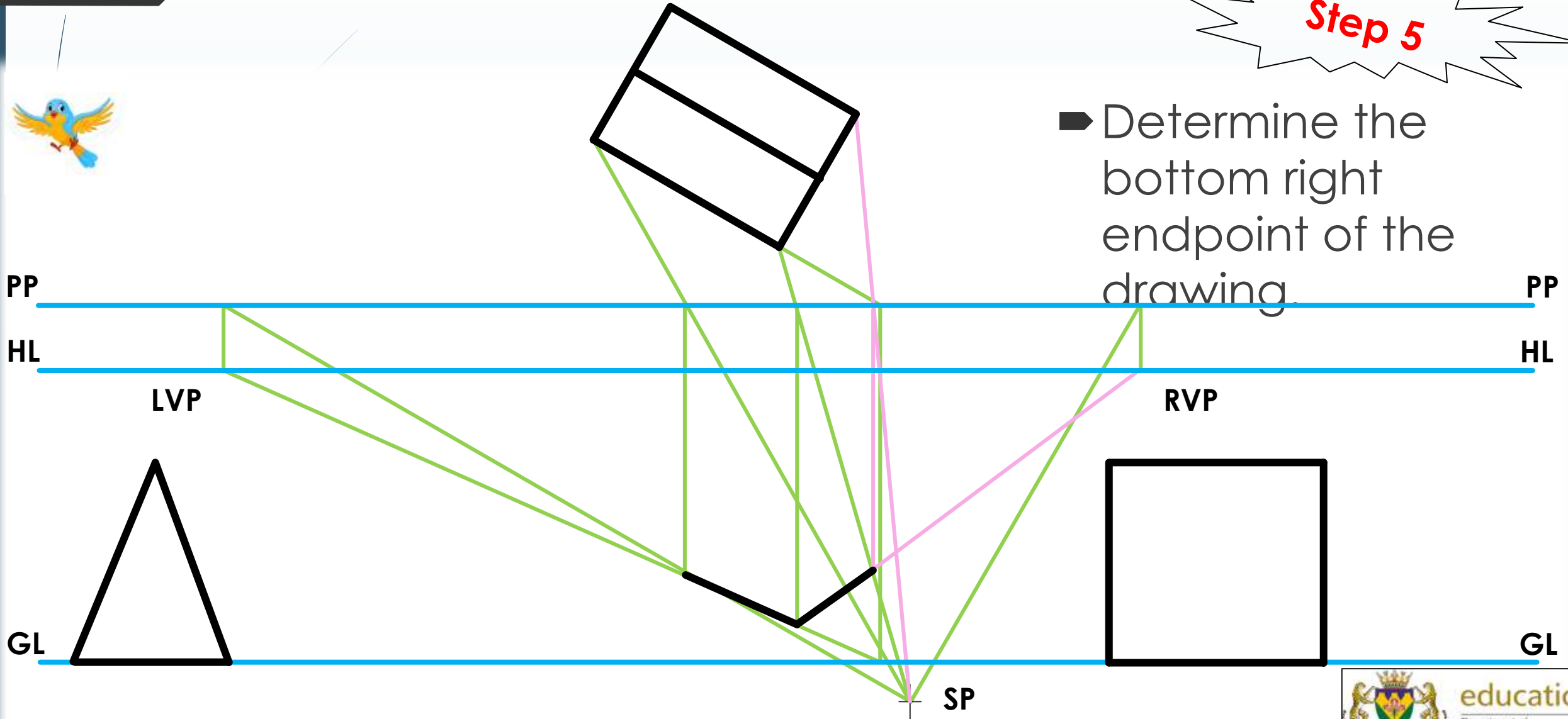
- Determine the bottom left endpoint of the drawing.



2-Point-Perspective Drawing

Step 5

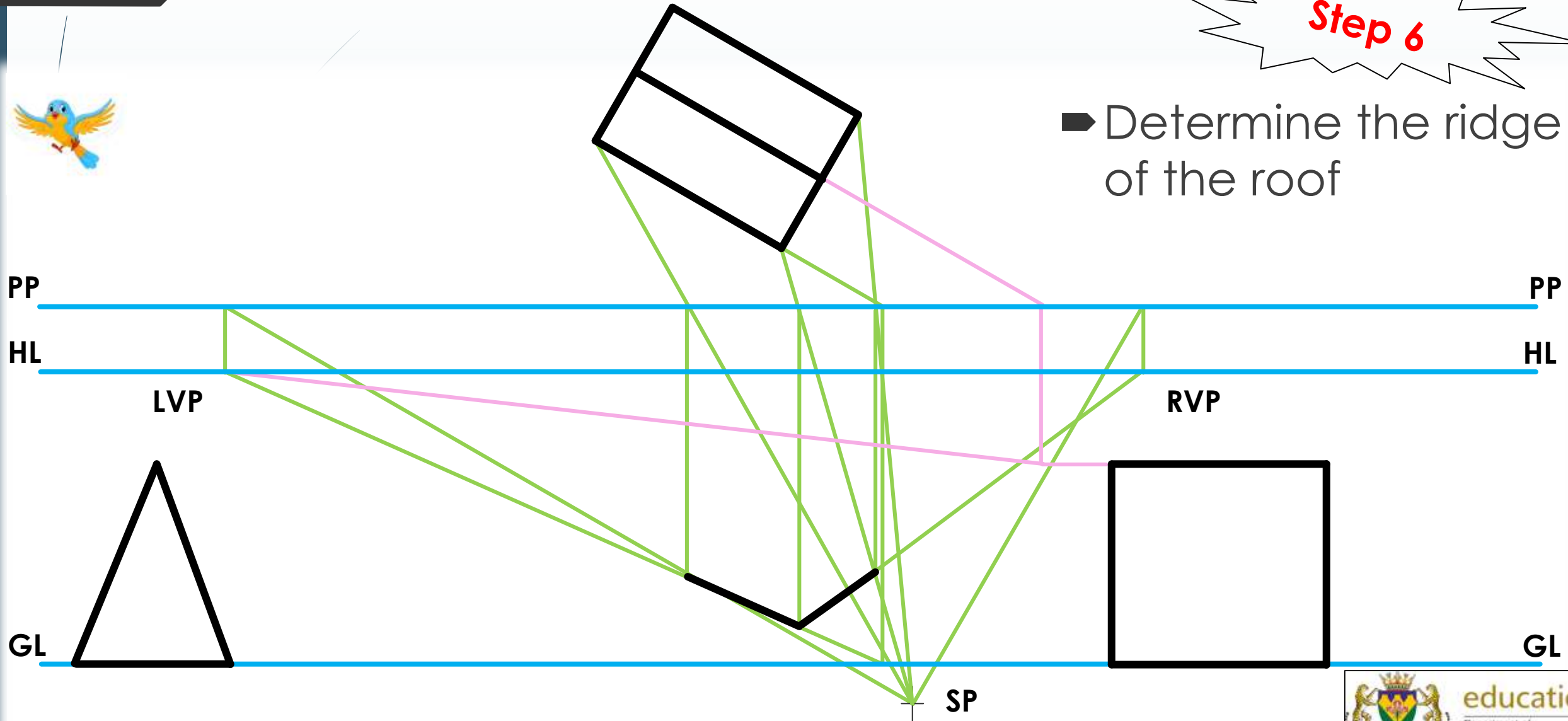
➤ Determine the bottom right endpoint of the drawing.



2-Point-Perspective Drawing

Step 6

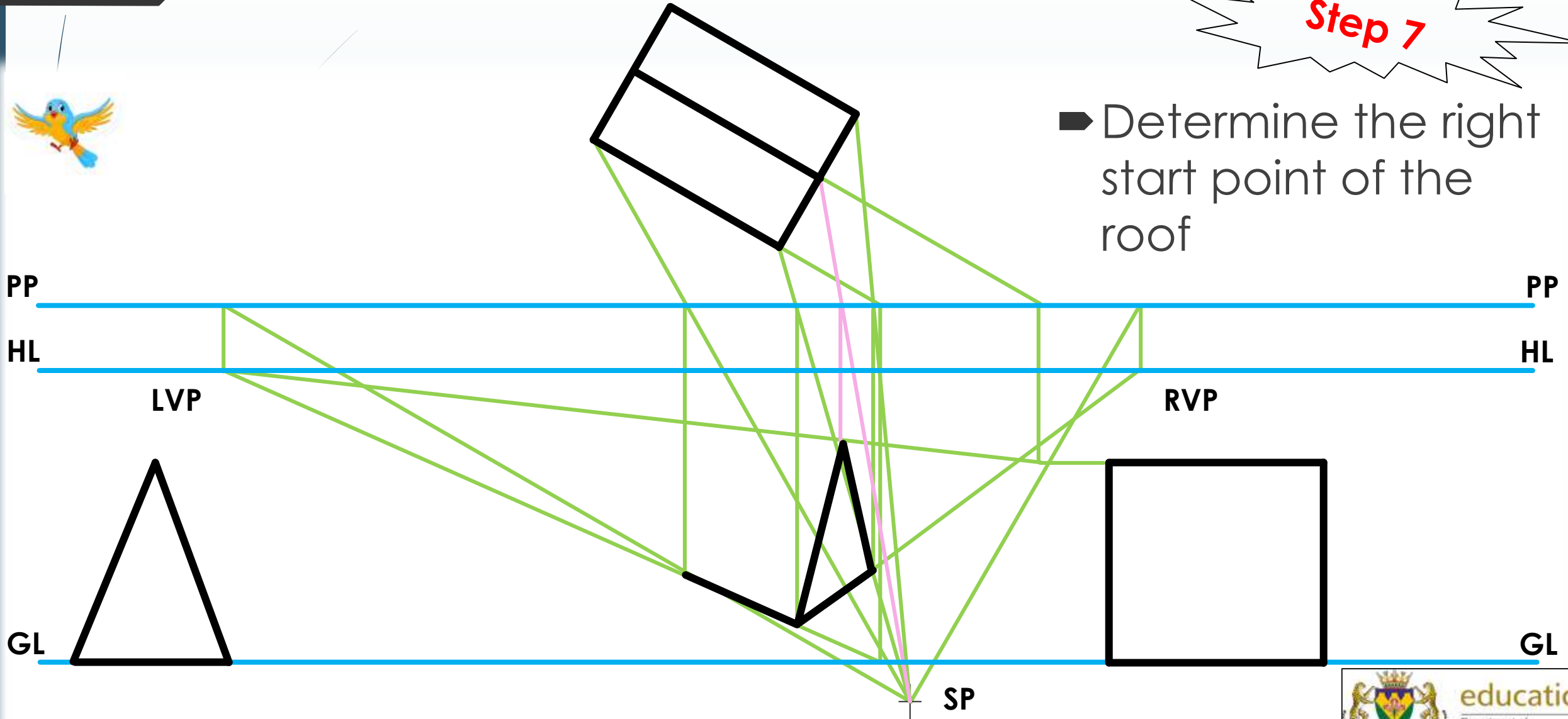
➡ Determine the ridge of the roof



2-Point-Perspective Drawing

Step 7

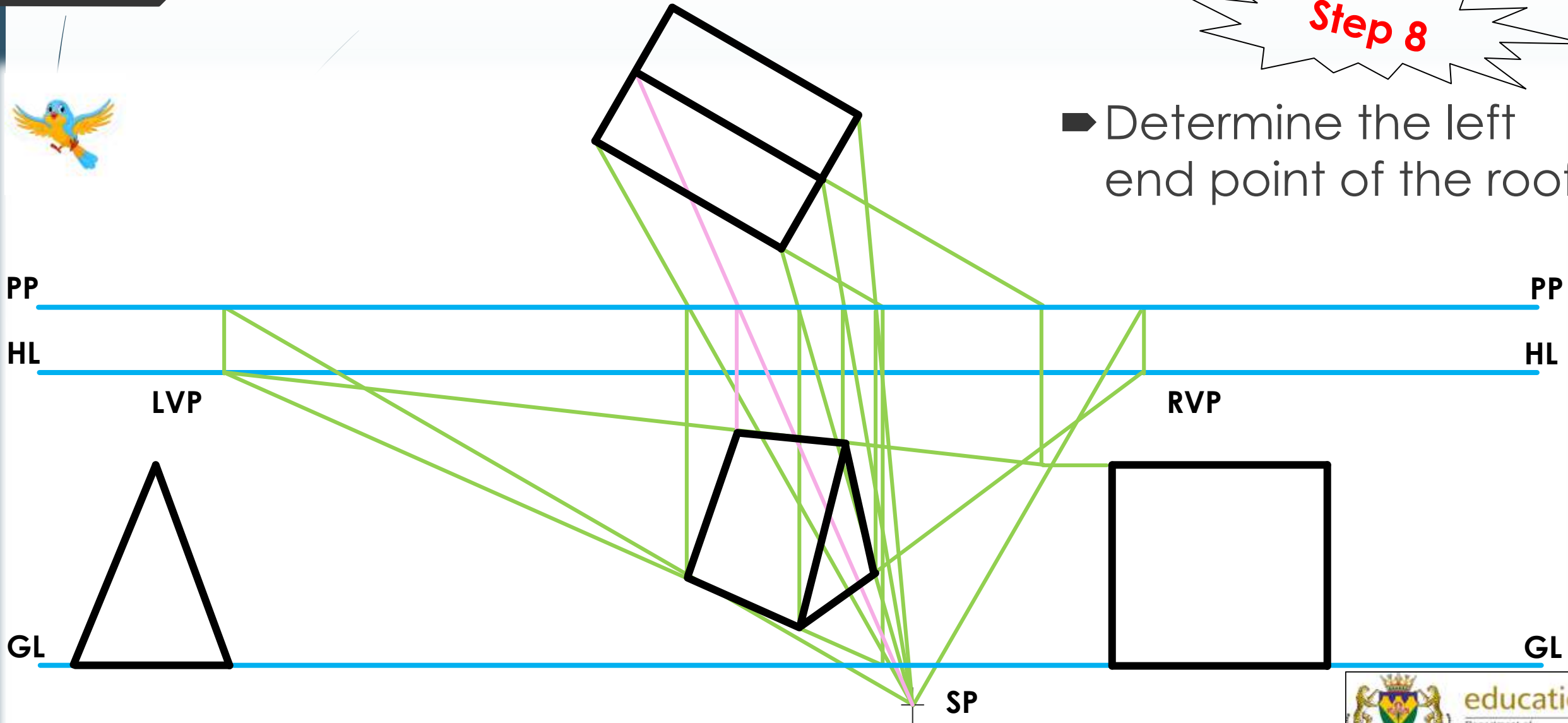
➡ Determine the right start point of the roof



2-Point-Perspective Drawing

Step 8

➡ Determine the left end point of the roof



2-Point-Perspective Drawing

Question

QUESTION 3: PERSPECTIVE

Given:

Three views of a shelter with a viewing deck and the information needed to draw a two-point perspective drawing

PP – Picture plane

HL – Horizon line

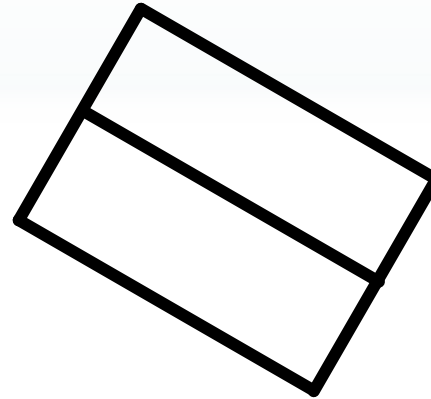
GL – Ground line

SP – Station point

Instructions:

Complete the perspective drawing.

- Align the drawing sheet with the ground line (GL).
- Determine and label the vanishing points.
- Show ALL necessary construction.
- NO hidden detail is required. [40]



PP

HL

GL



+ SP

HL

GL



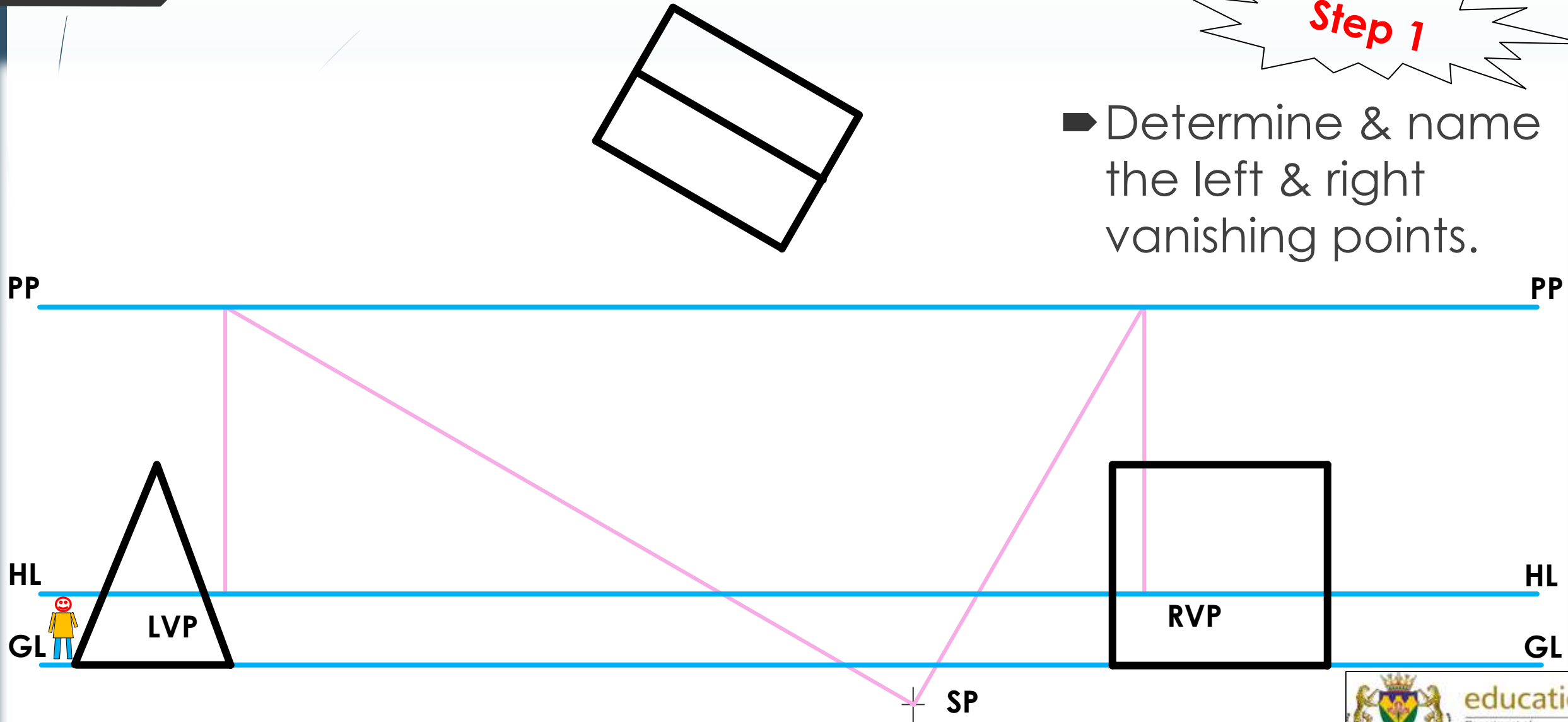
education

Department of
Education
FREE STATE PROVINCE

2-Point-Perspective Drawing

Step 1

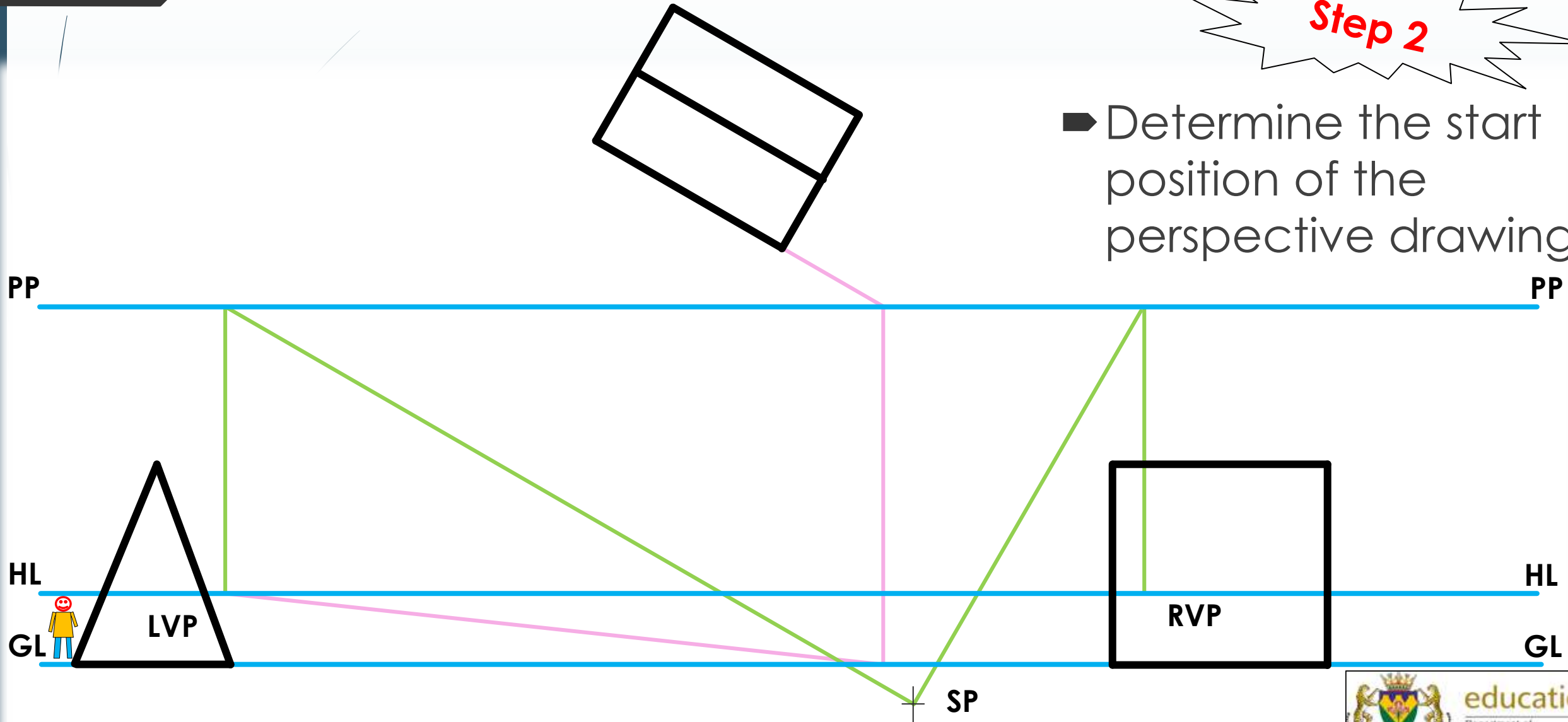
- Determine & name the left & right vanishing points.



2-Point-Perspective Drawing

Step 2

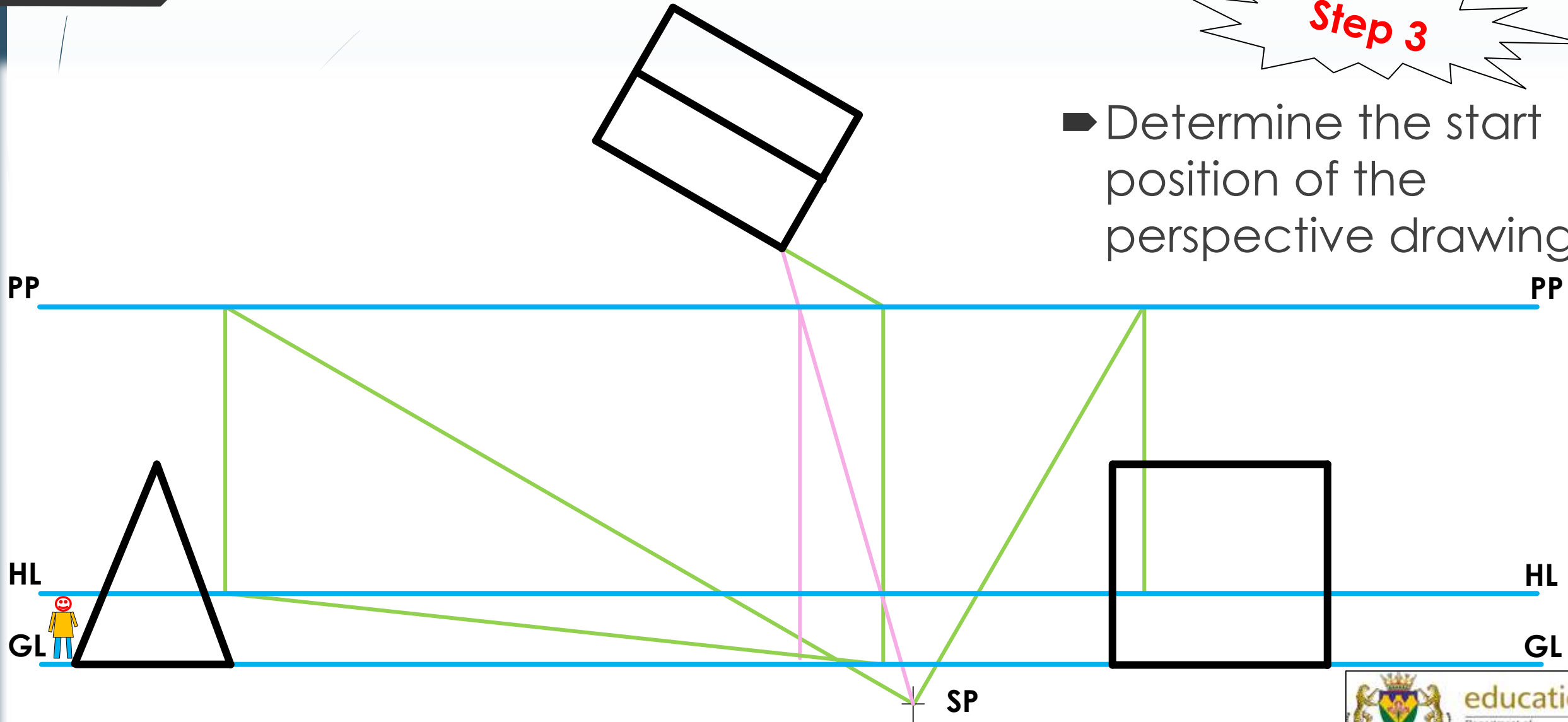
- Determine the start position of the perspective drawing



2-Point-Perspective Drawing

Step 3

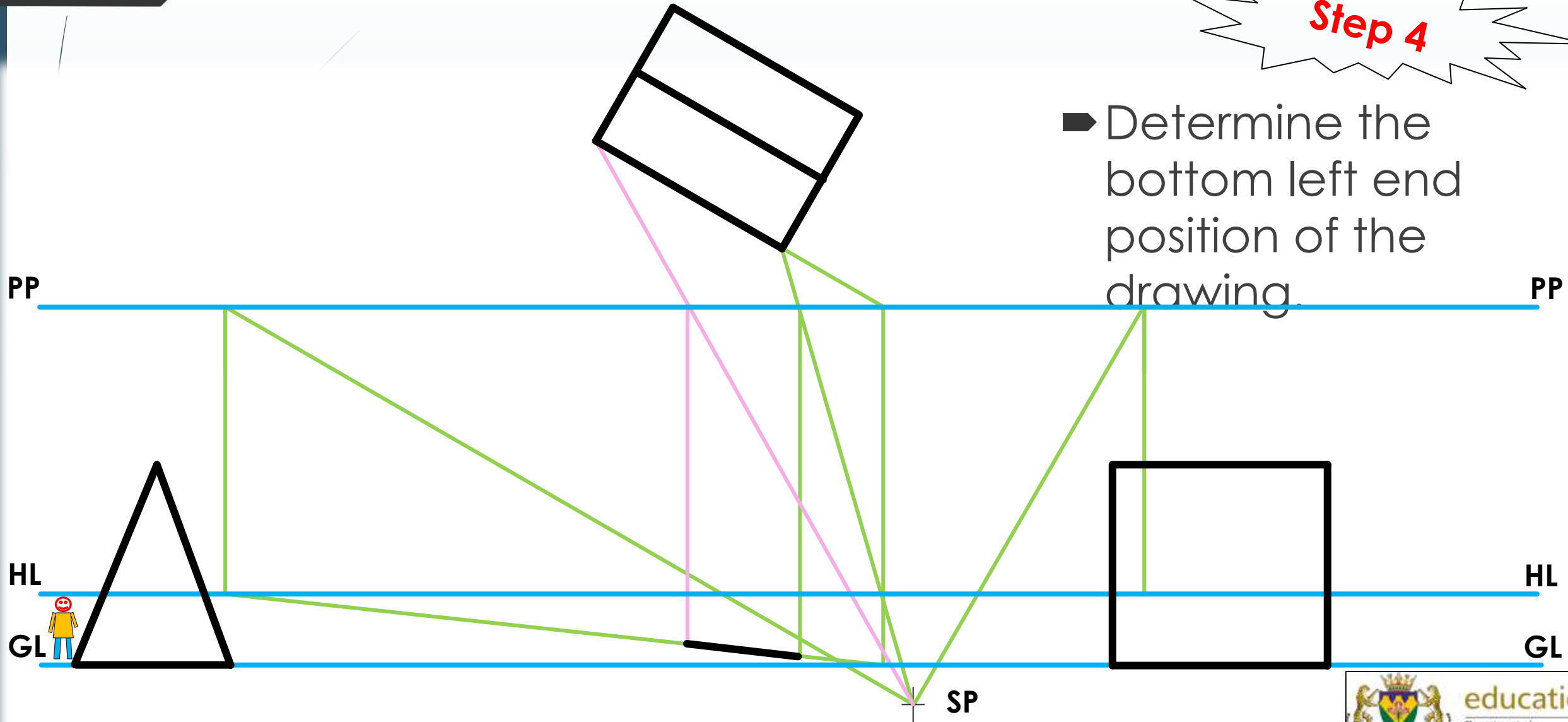
- Determine the start position of the perspective drawing



2-Point-Perspective Drawing

Step 4

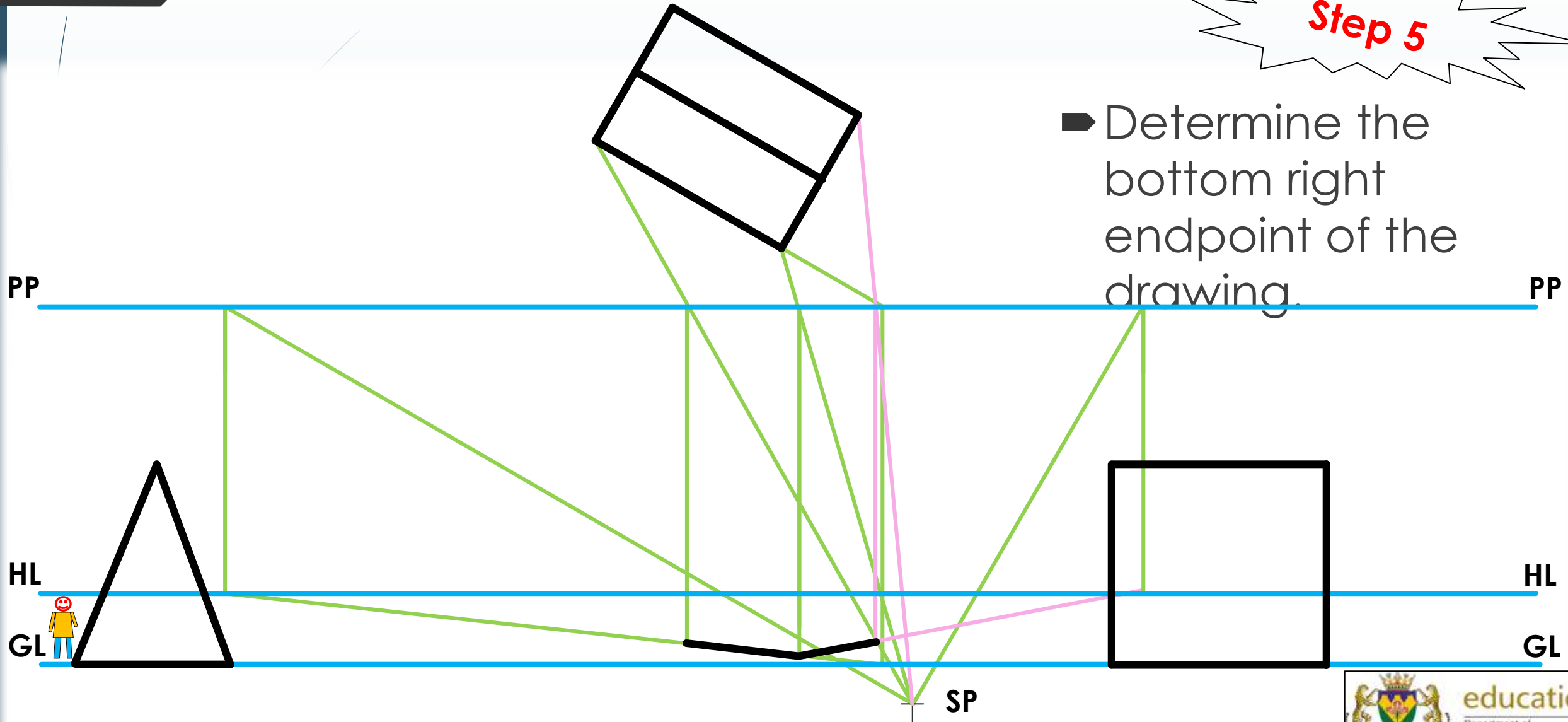
- Determine the bottom left end position of the drawing.



2-Point-Perspective Drawing

Step 5

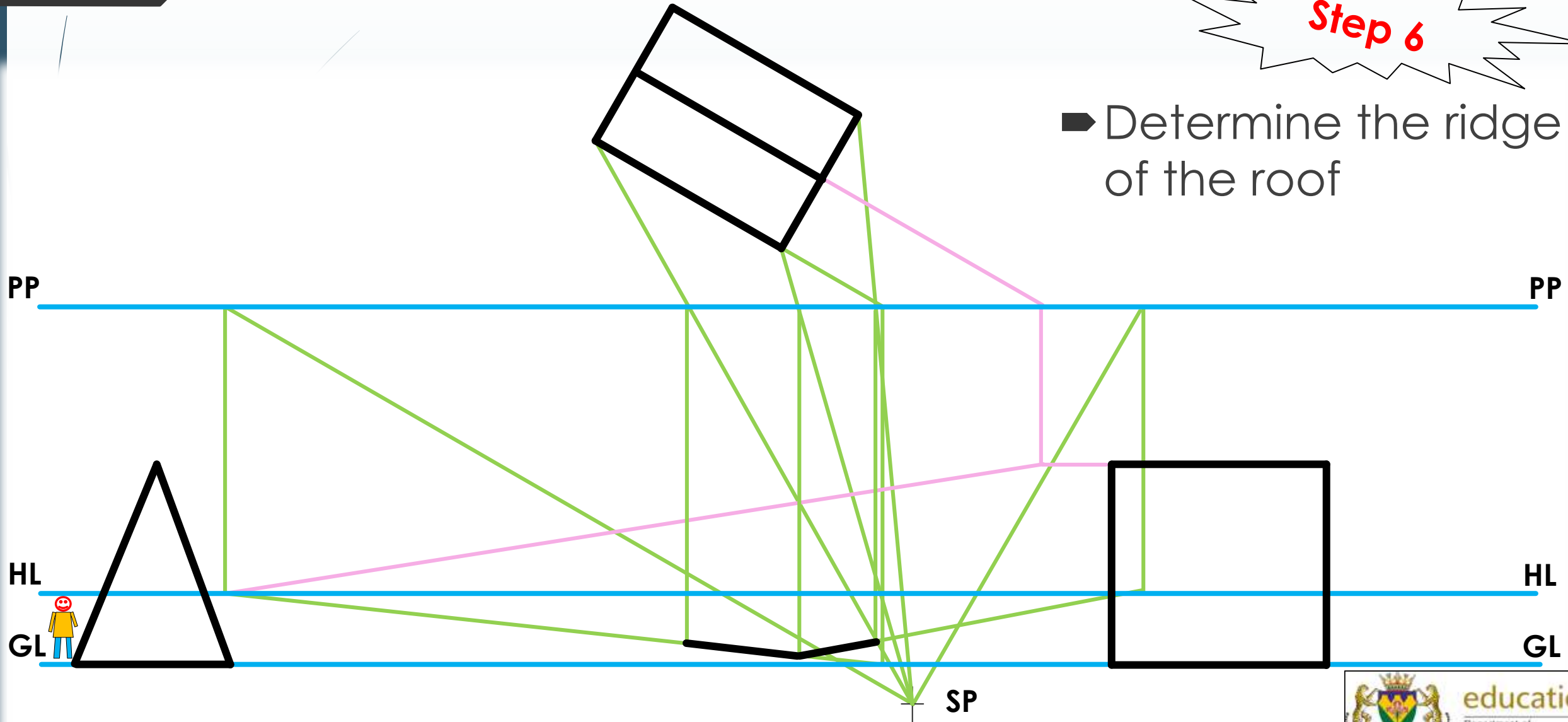
- Determine the bottom right endpoint of the drawing.



2-Point-Perspective Drawing

Step 6

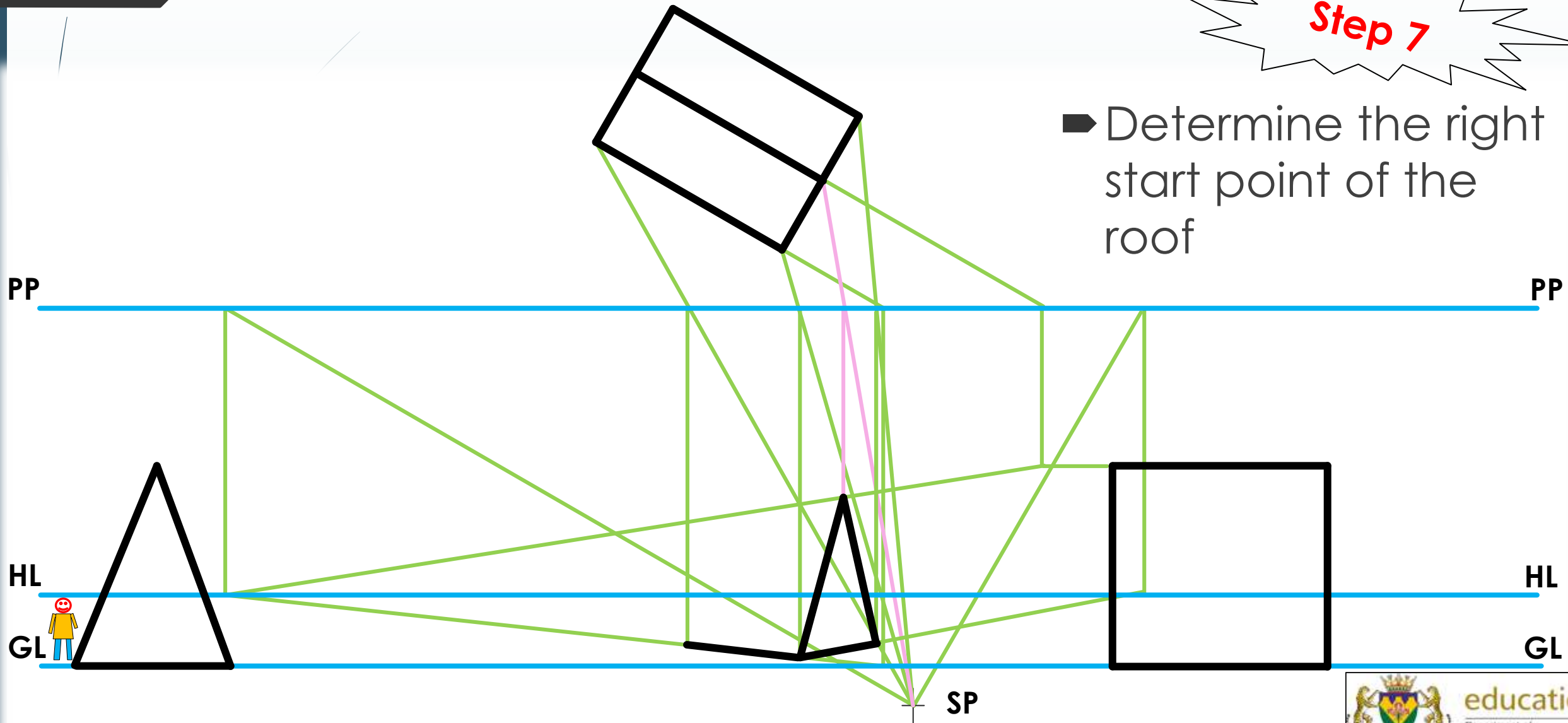
➡ Determine the ridge of the roof



2-Point-Perspective Drawing

Step 7

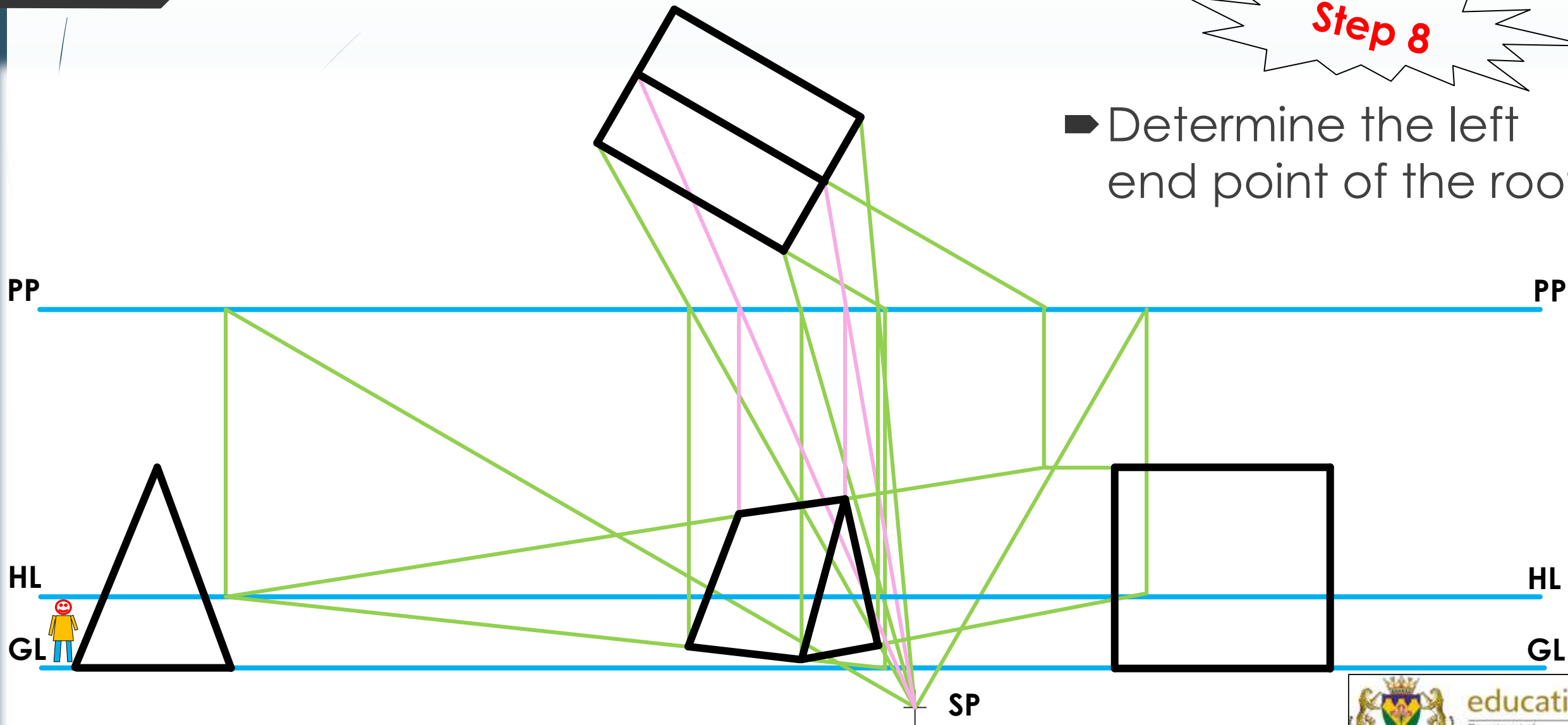
➡ Determine the right start point of the roof



2-Point-Perspective Drawing

Step 8

➡ Determine the left end point of the roof



2-Point-Perspective Drawing

Question

QUESTION 3: PERSPECTIVE

Given:

Three views of a shelter with a viewing deck and the information needed to draw a two-point perspective drawing

PP – Picture plane

HL – Horizon line

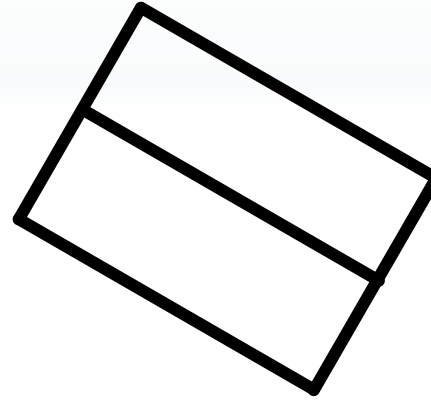
GL – Ground line

SP – Station point

Instructions:

Complete the perspective drawing.

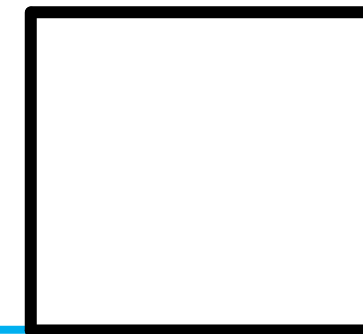
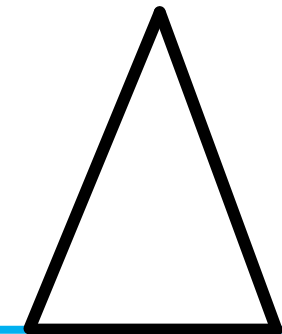
- Align the drawing sheet with the ground line (GL).
- Determine and label the vanishing points.
- Show ALL necessary construction.
- NO hidden detail is required. [40]



PP

GL

HL



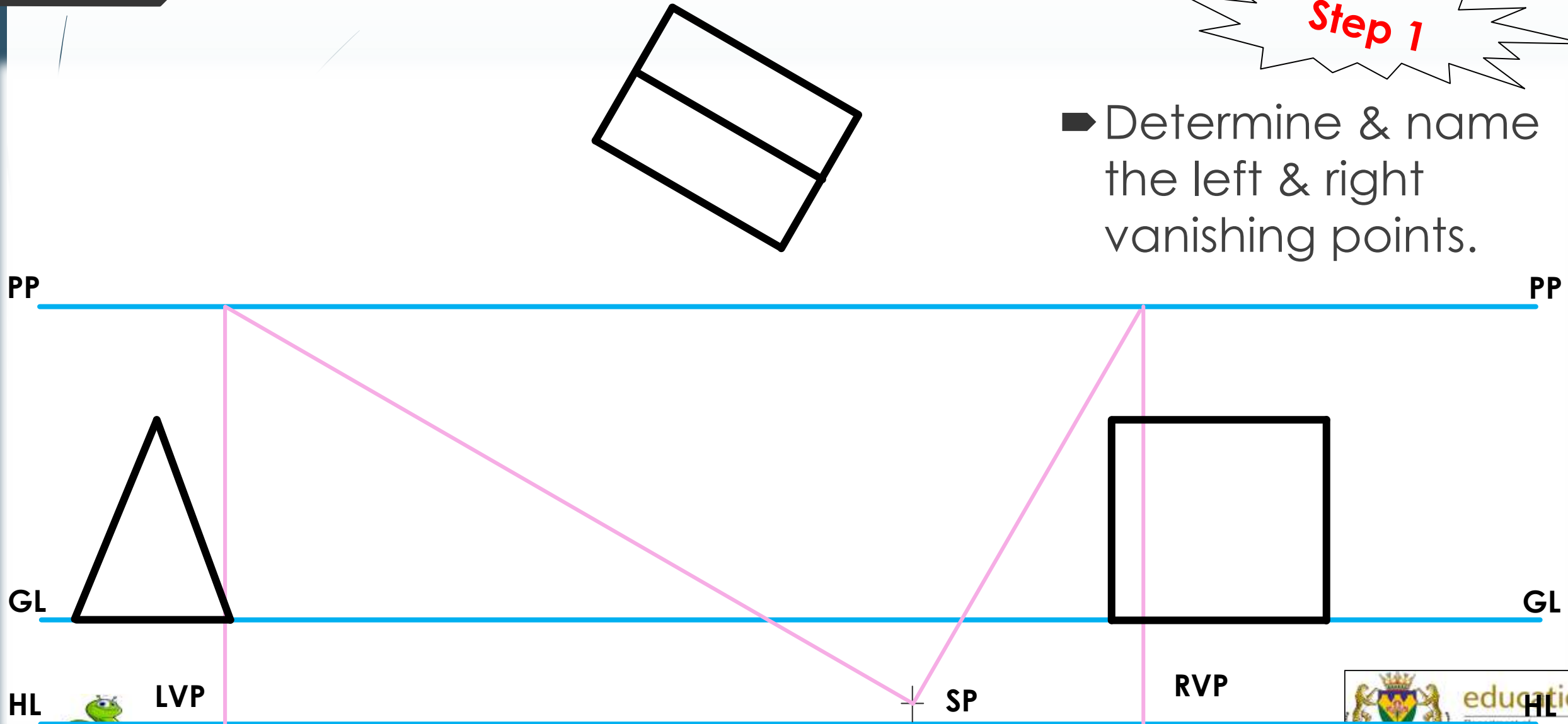
GL

+ SP

2-Point-Perspective Drawing

Step 1

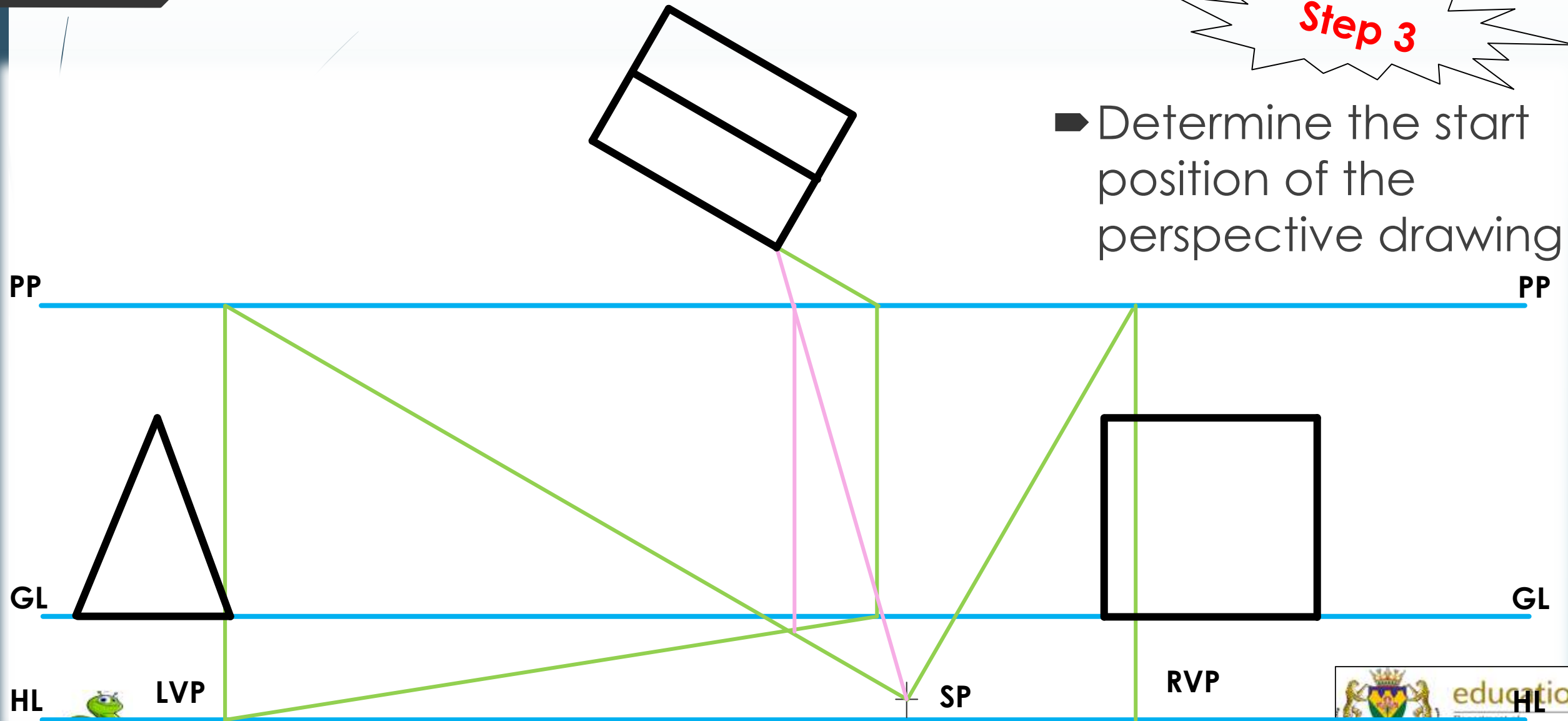
- Determine & name the left & right vanishing points.



2-Point-Perspective Drawing

Step 3

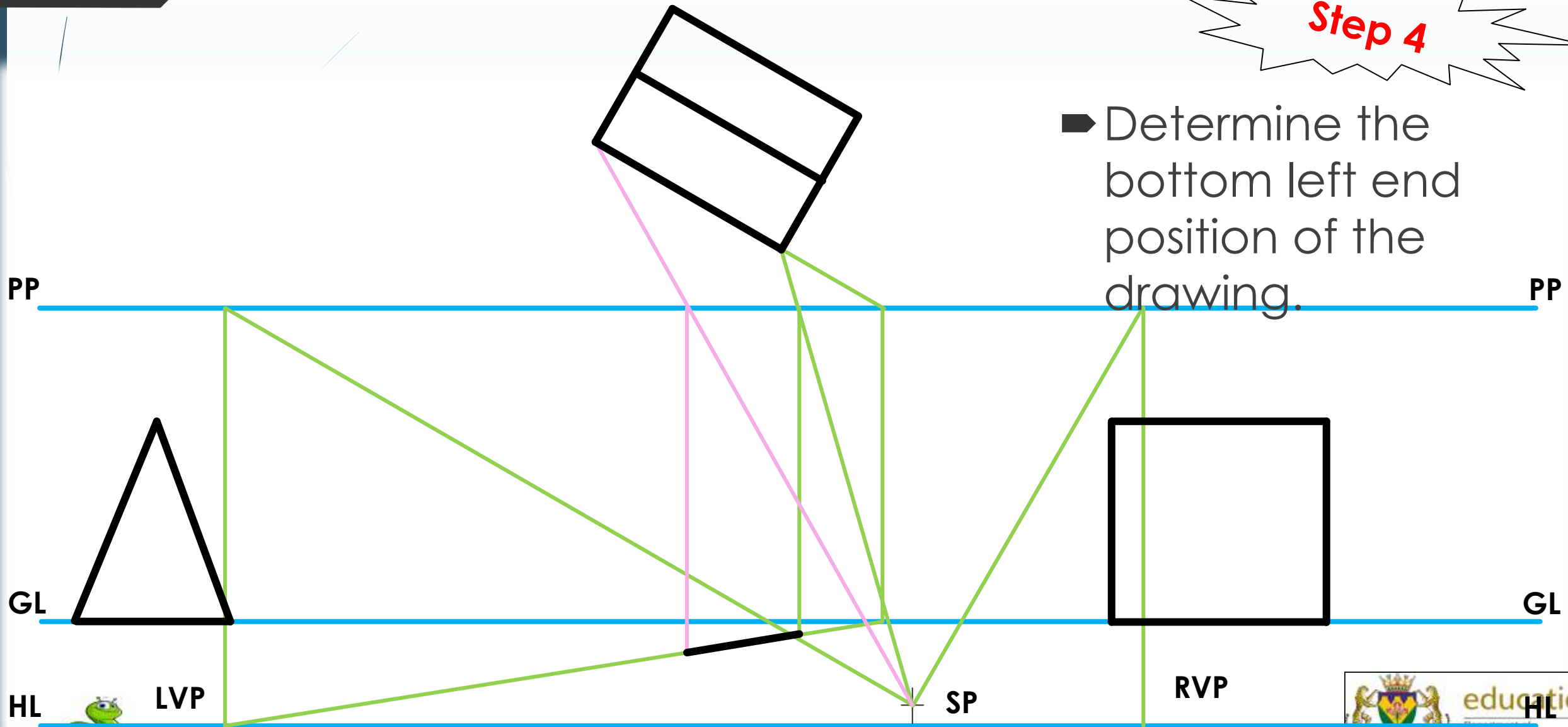
- Determine the start position of the perspective drawing



2-Point-Perspective Drawing

Step 4

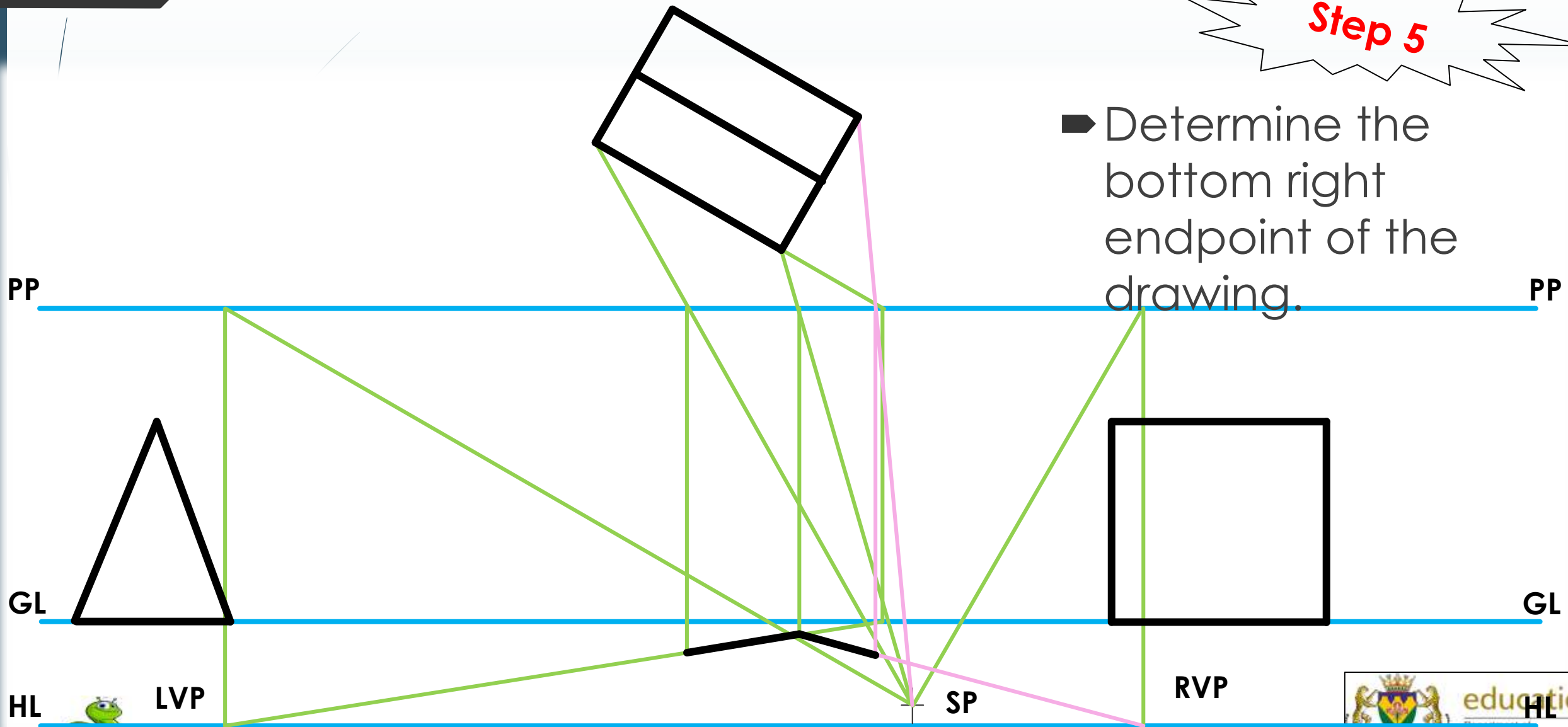
- Determine the bottom left end position of the drawing.



2-Point-Perspective Drawing

Step 5

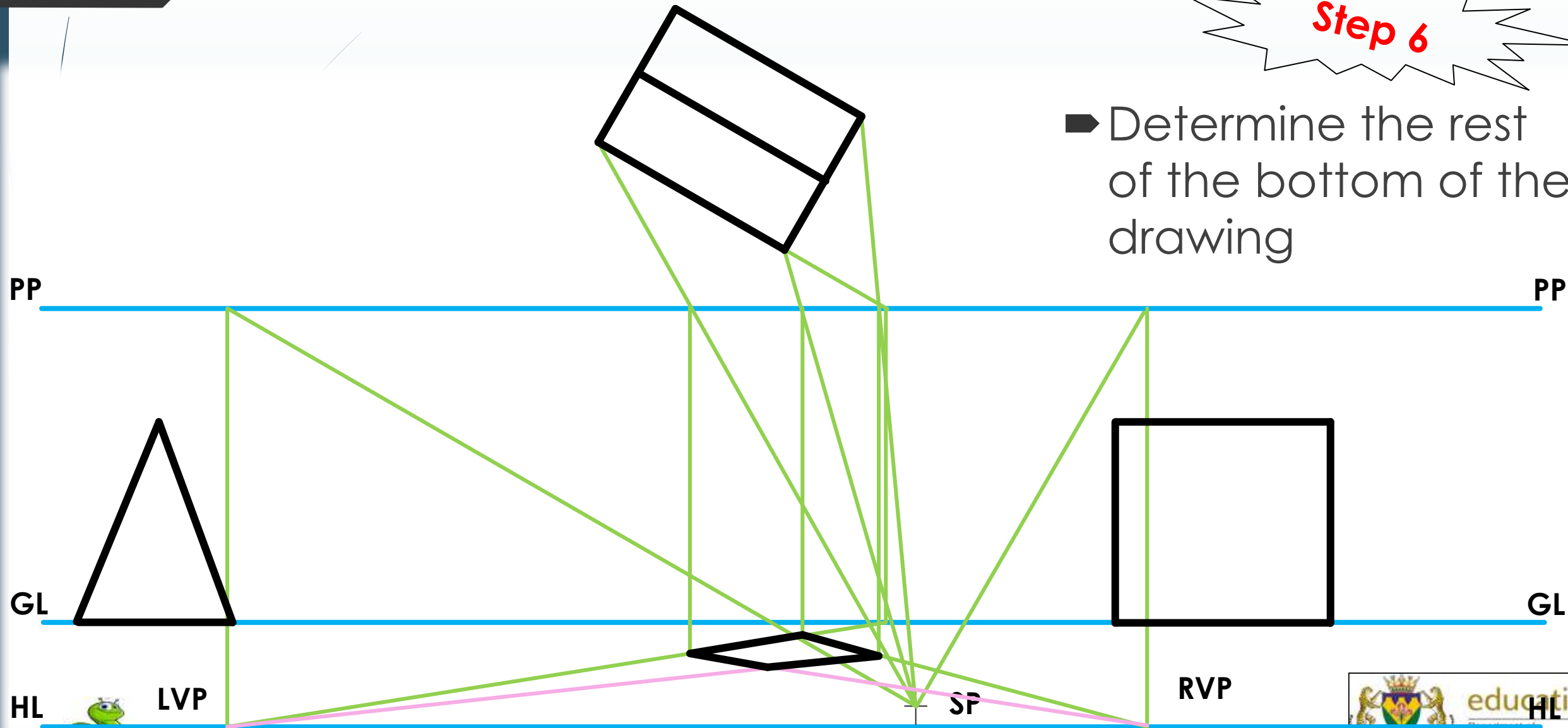
➤ Determine the bottom right endpoint of the drawing.



2-Point-Perspective Drawing

Step 6

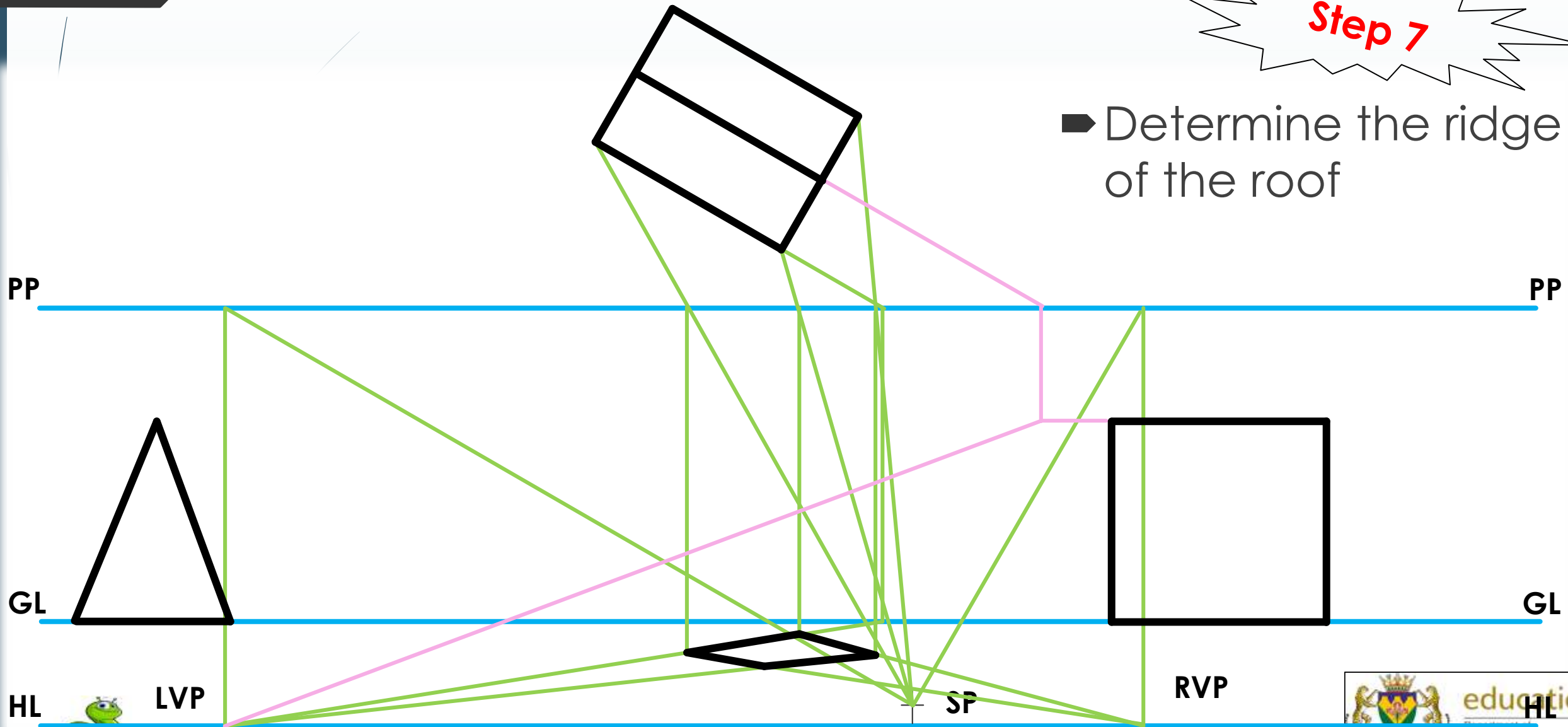
➤ Determine the rest of the bottom of the drawing



2-Point-Perspective Drawing

Step 7

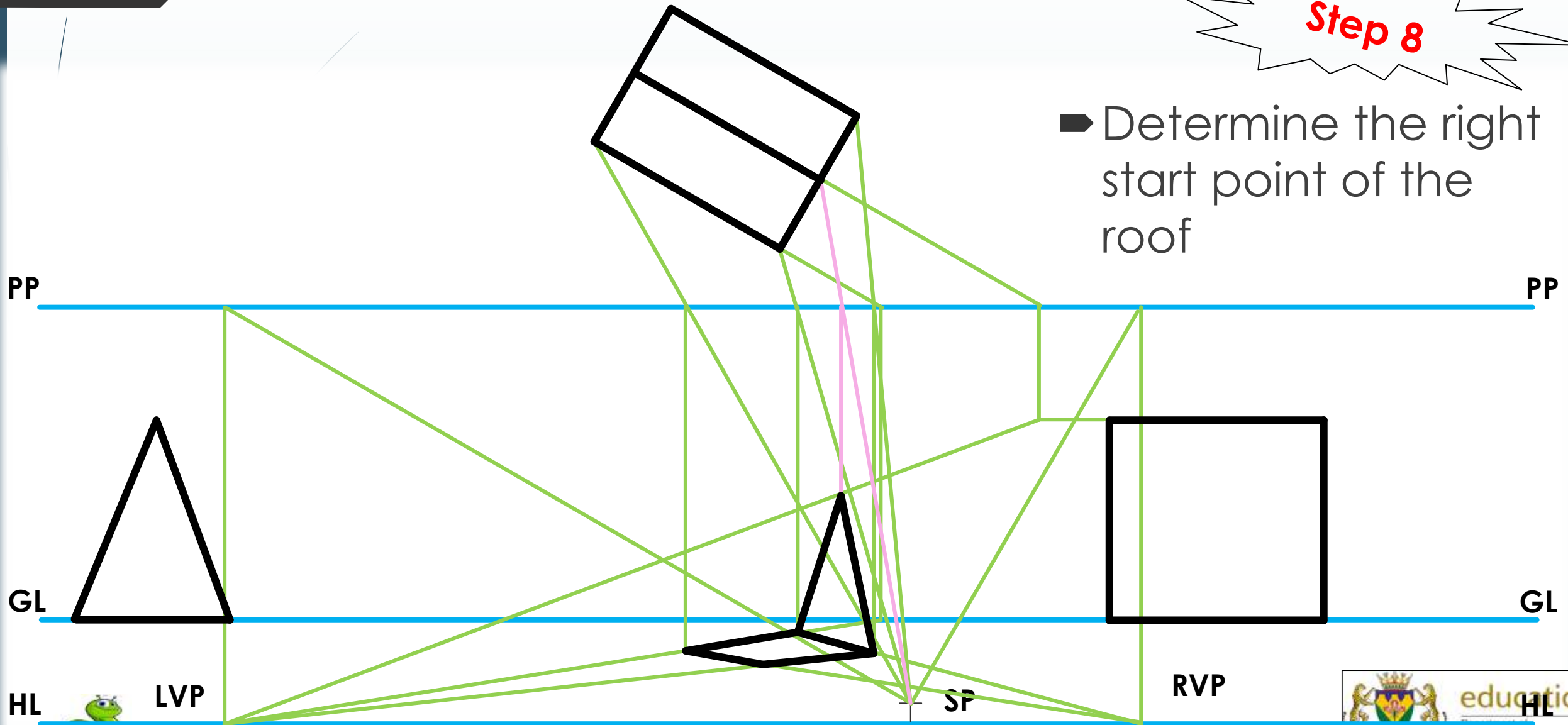
➡ Determine the ridge of the roof



2-Point-Perspective Drawing

Step 8

➡ Determine the right start point of the roof



2-Point-Perspective Drawing

Step 9

➡ Determine the left end point of the roof

