

2.1.2.1 THE CONSTRUCTION
INDUSTRY
CIVIL DRAWINGS
(SANS 10143 Symbols)

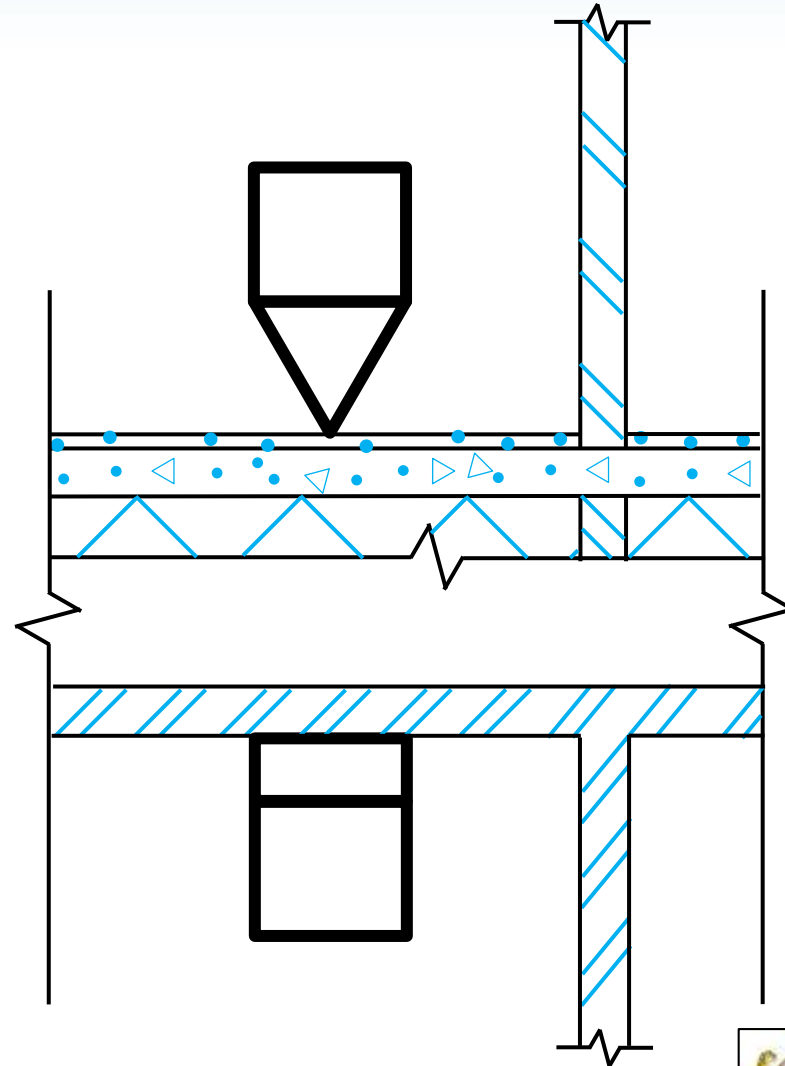
Developed by: PC Viljoen
Senior Educational Specialist for
Engineering Graphics and Design
Free State Province

PRESCRIBED CONTENT FOR GRADE 10 & 11

- **SANS 10143 Symbols**
- The floor plan showing the windows and doors.
- Elevation drawings.
- Sectional elevations showing the detail from the foundation to the roof ceiling.

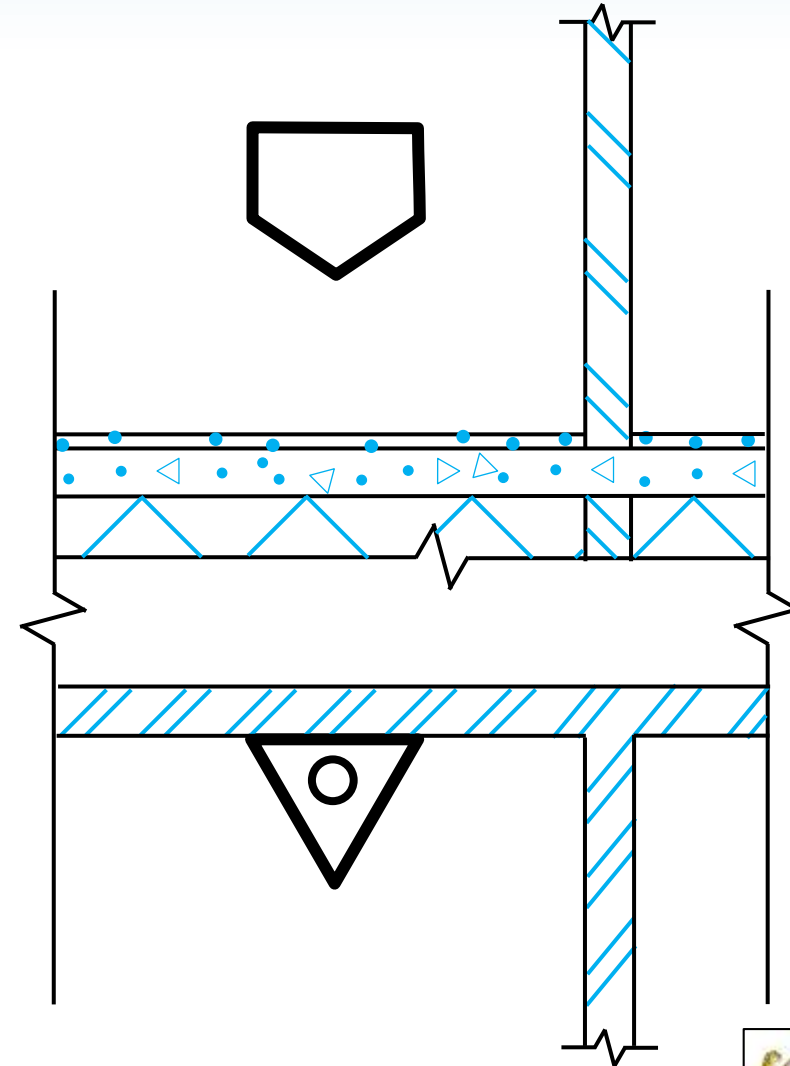
SANS 10143 Symbols

- The conventional SANS representation of a **WATER-CLOSET PAN (TOILET) (WC)**



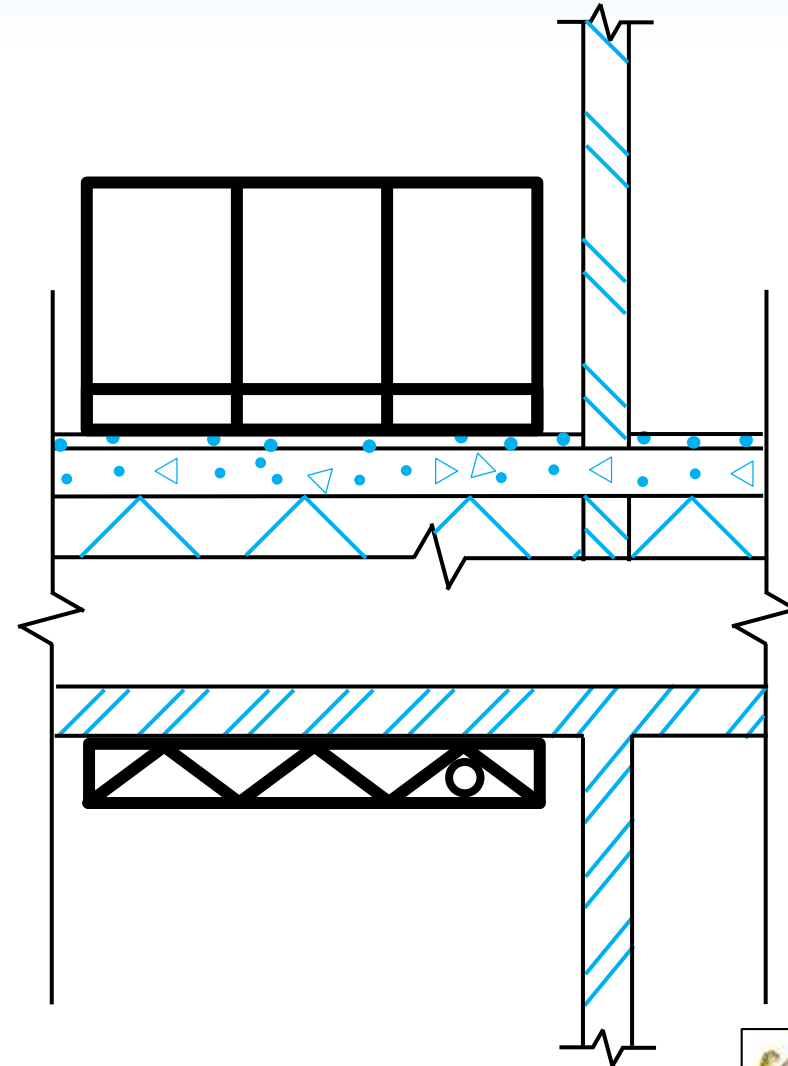
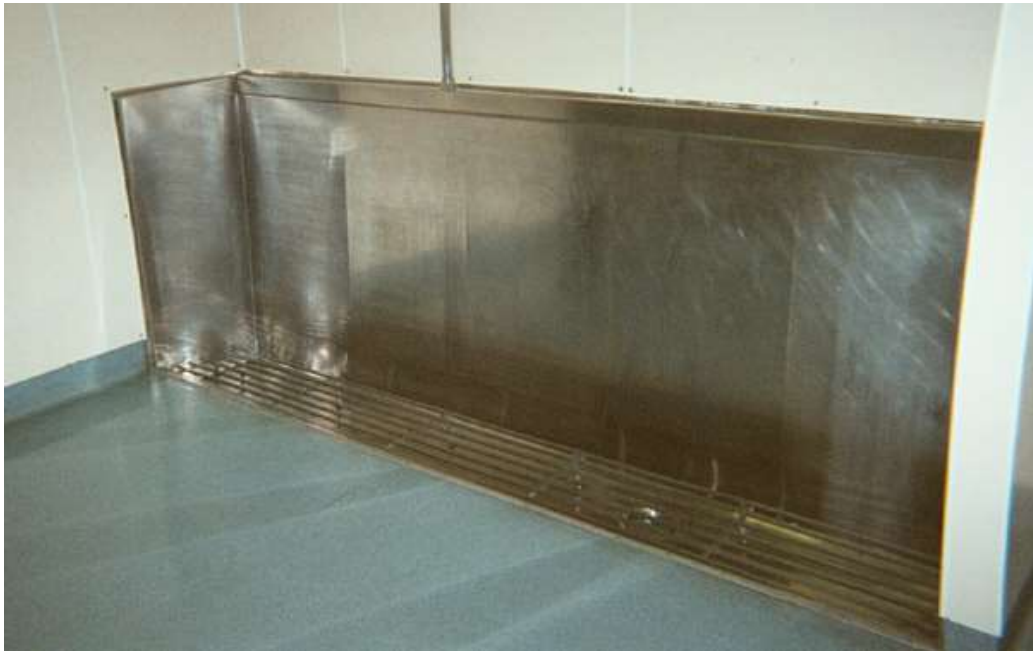
SANS 10143 Symbols

- The conventional SANS representation of a **WALL MOUNTED URINAL (U)**



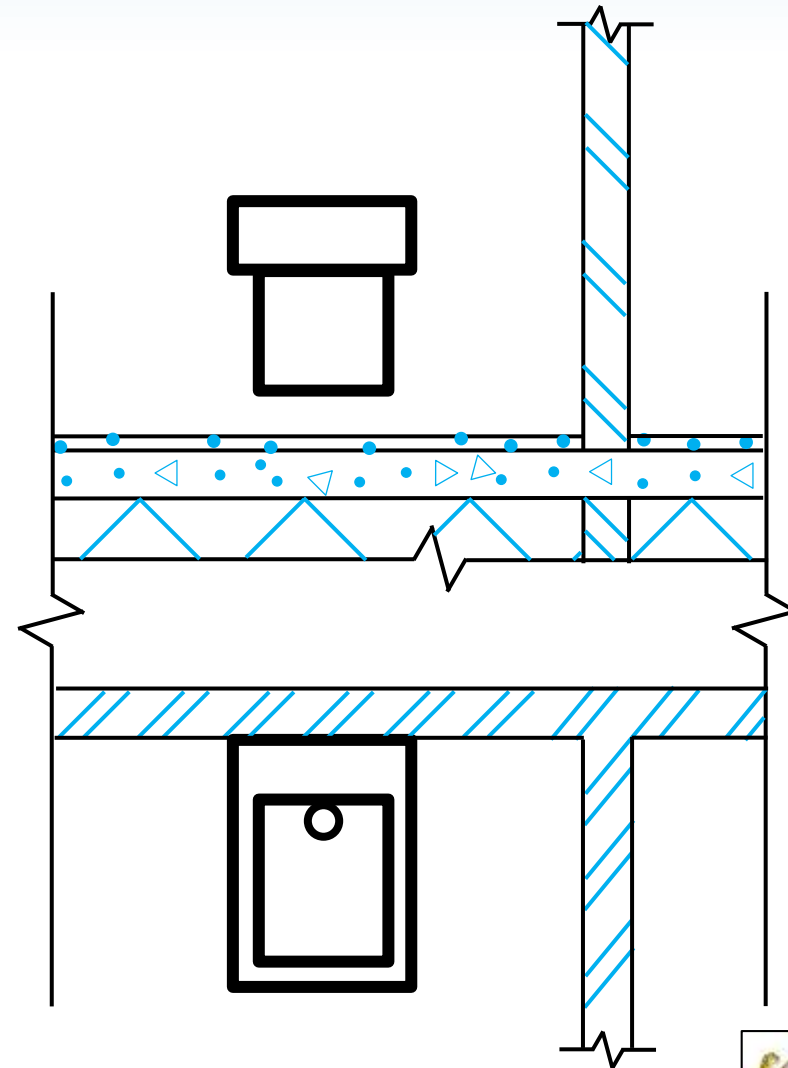
SANS 10143 Symbols

- The conventional SANS representation of a **SLAB or STALL URINAL (U)**



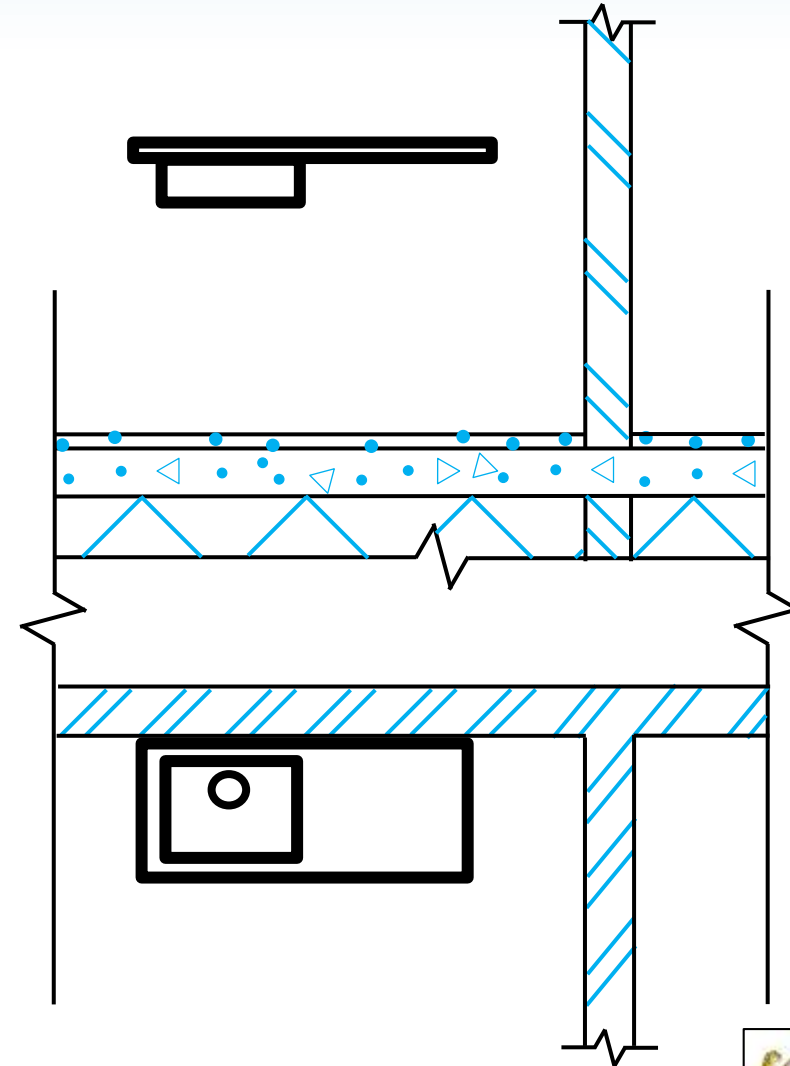
SANS 10143 Symbols

The conventional SANS representation of a **BIDED** (State whether water supply is over or under the rim)



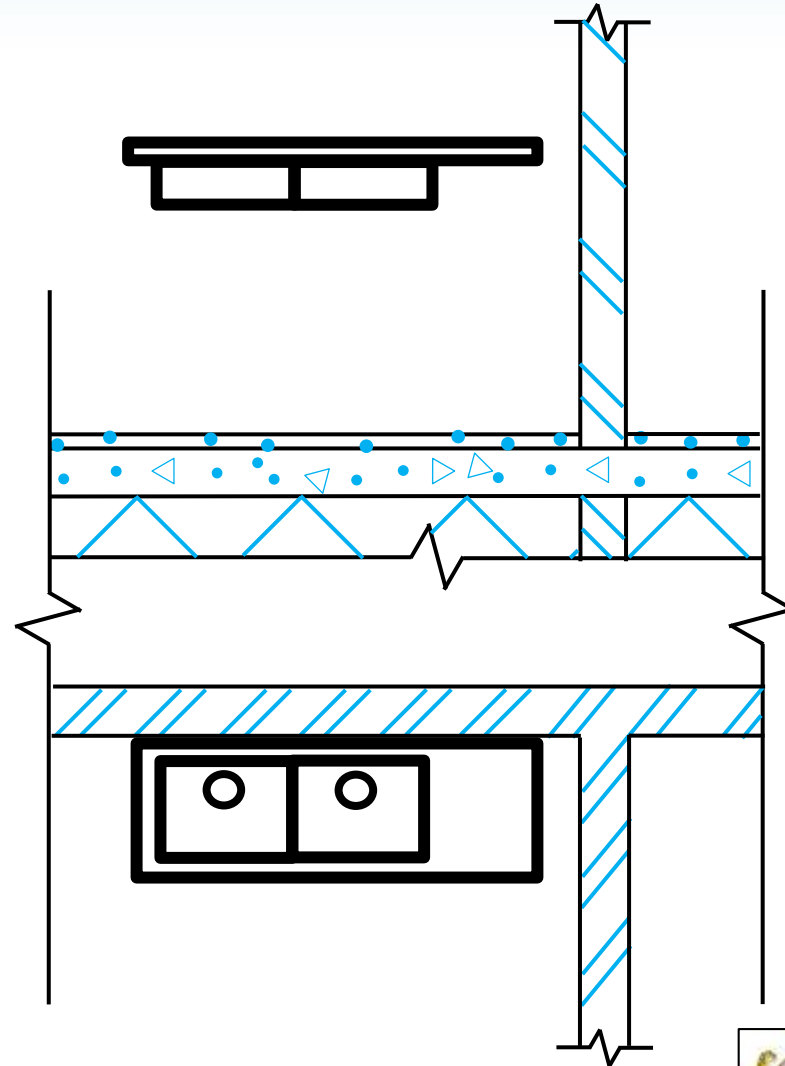
SANS 10143 Symbols

- The conventional SANS representation of a **SINGLE SINK (S)**



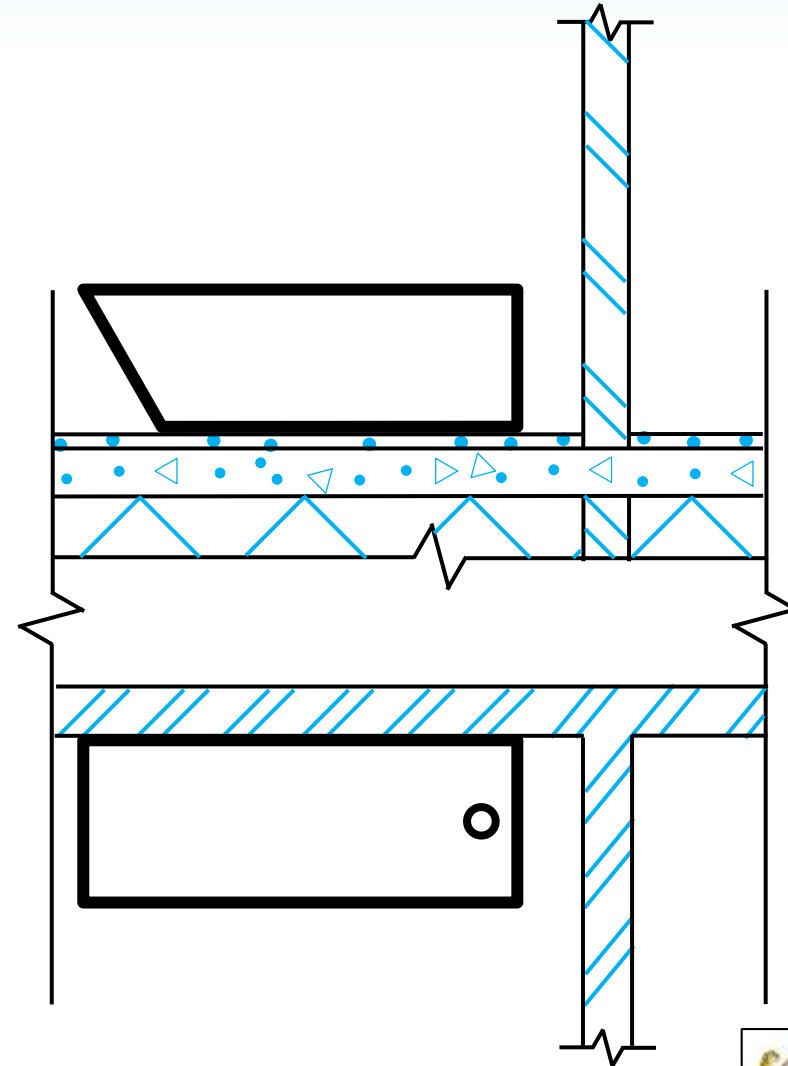
SANS 10143 Symbols

- The conventional SANS representation of a **DOUBLE SINK (S)**



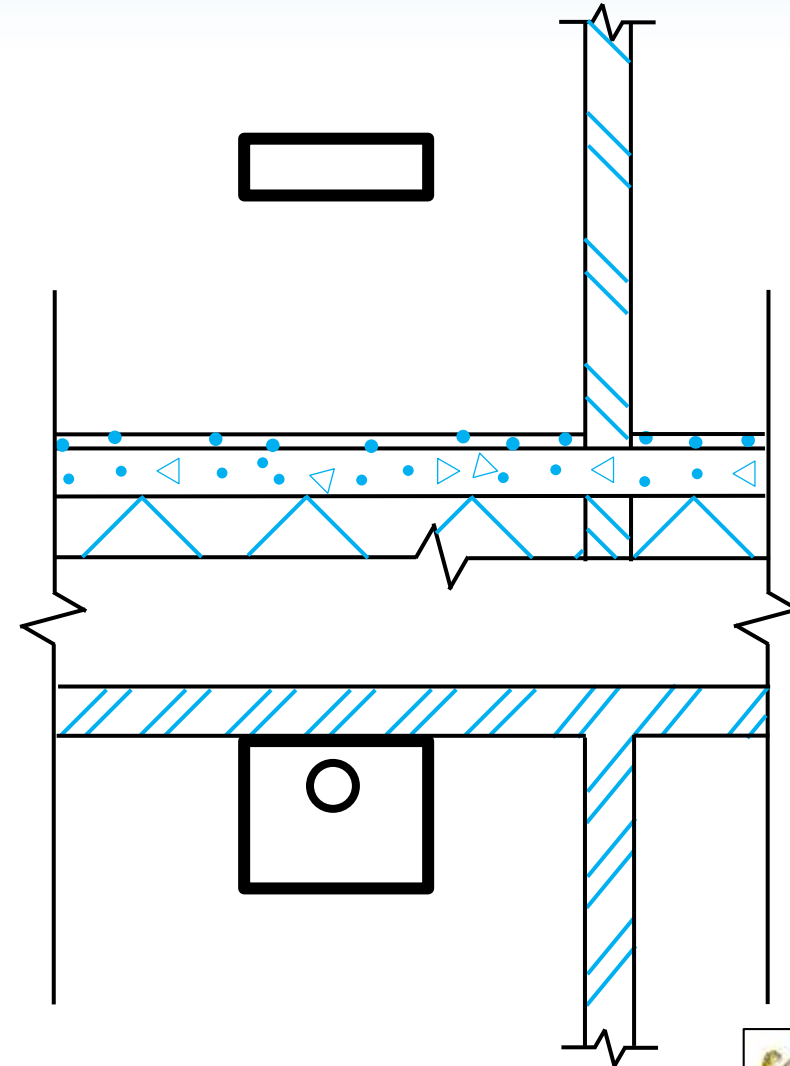
SANS 10143 Symbols

- The conventional SANS representation of a **BATH (B)**



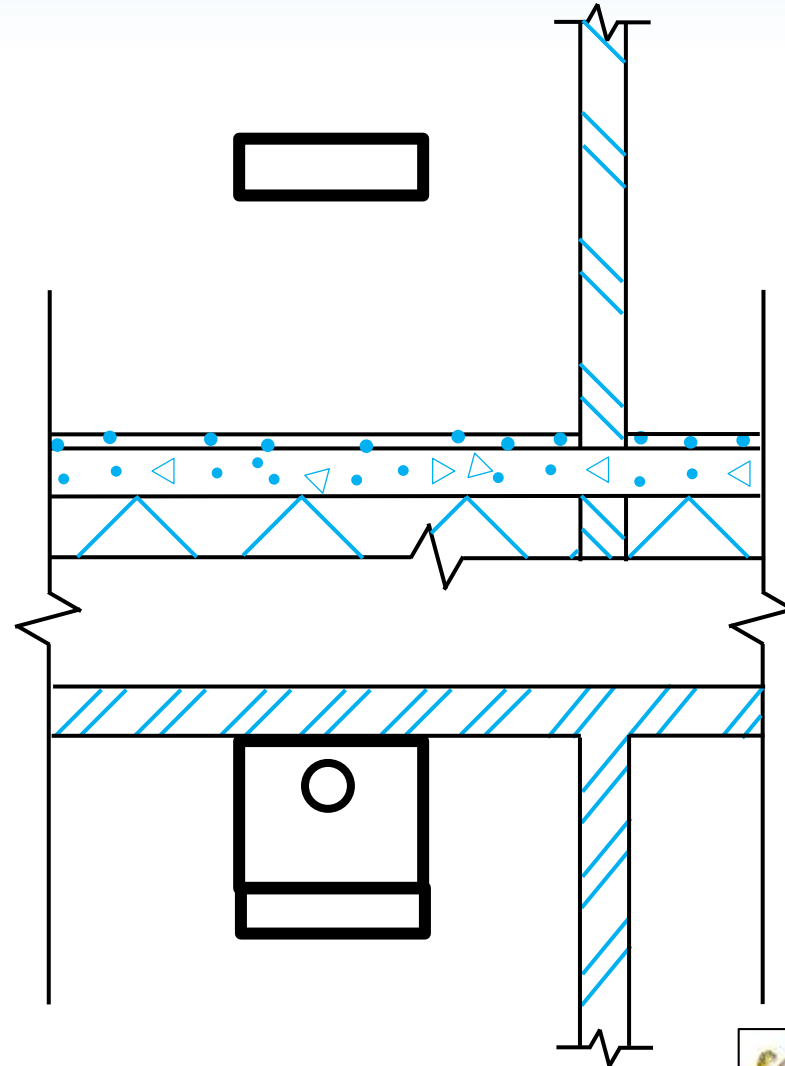
SANS 10143 Symbols

- The conventional SANS representation of a **WASH BASIN (WB)**



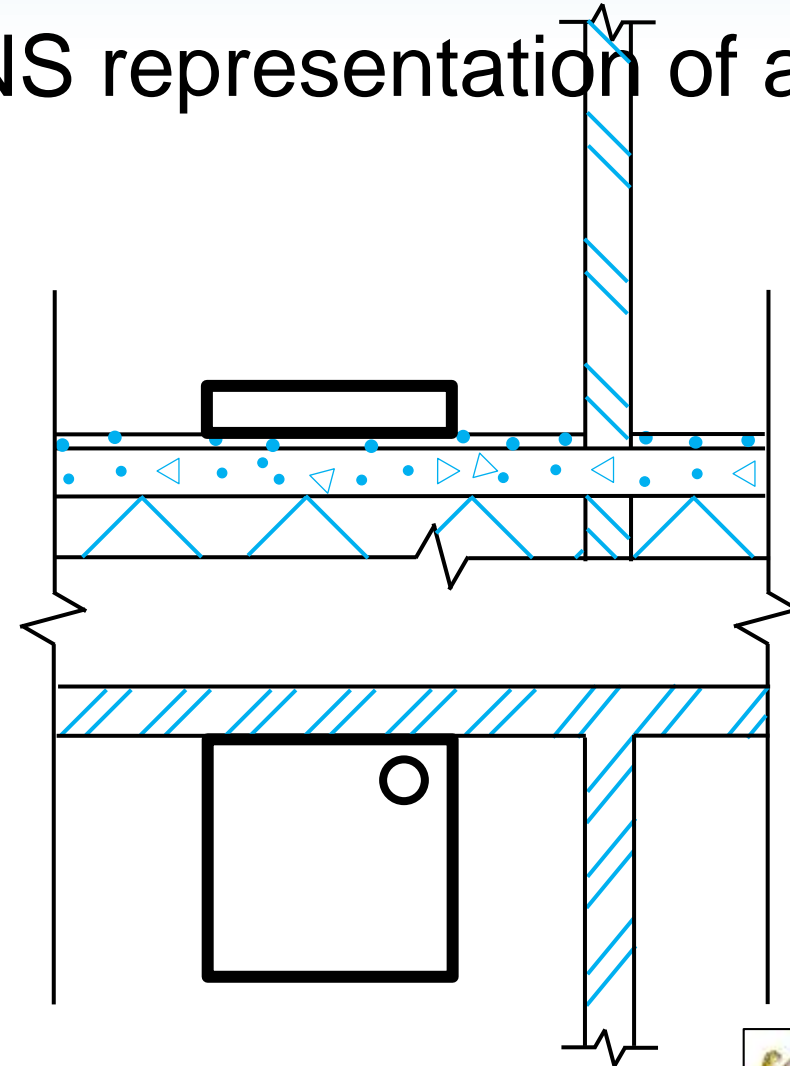
SANS 10143 Symbols

- The conventional SANS representation of a **WASH TROUGH (WT)**



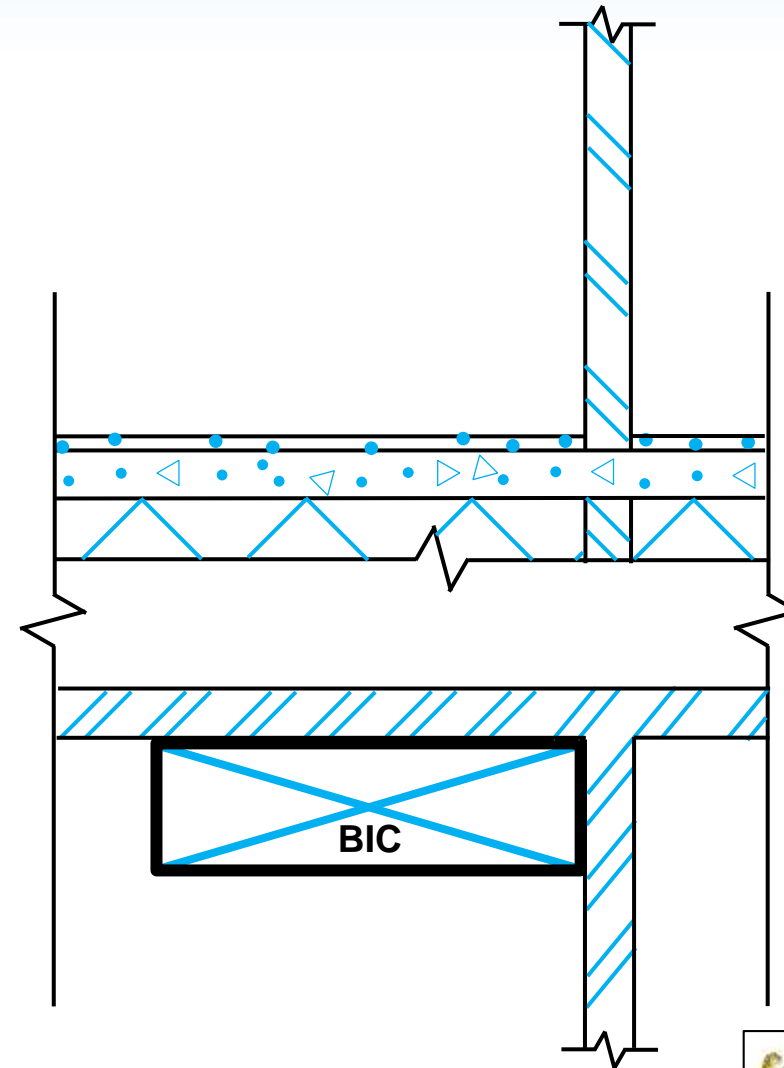
SANS 10143 Symbols

- The conventional SANS representation of a **SHOWER (SH)**



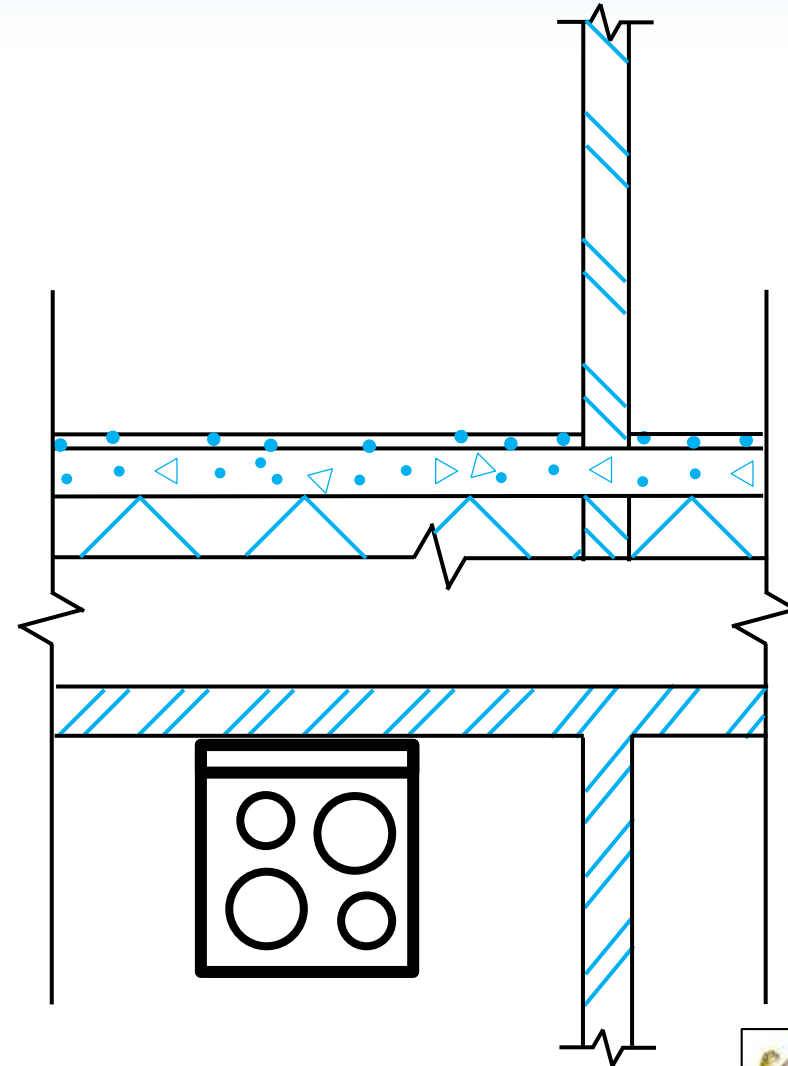
SANS 10143 Symbols

- The conventional SANS representation of a **BUILD IN CABINET (BIC)**



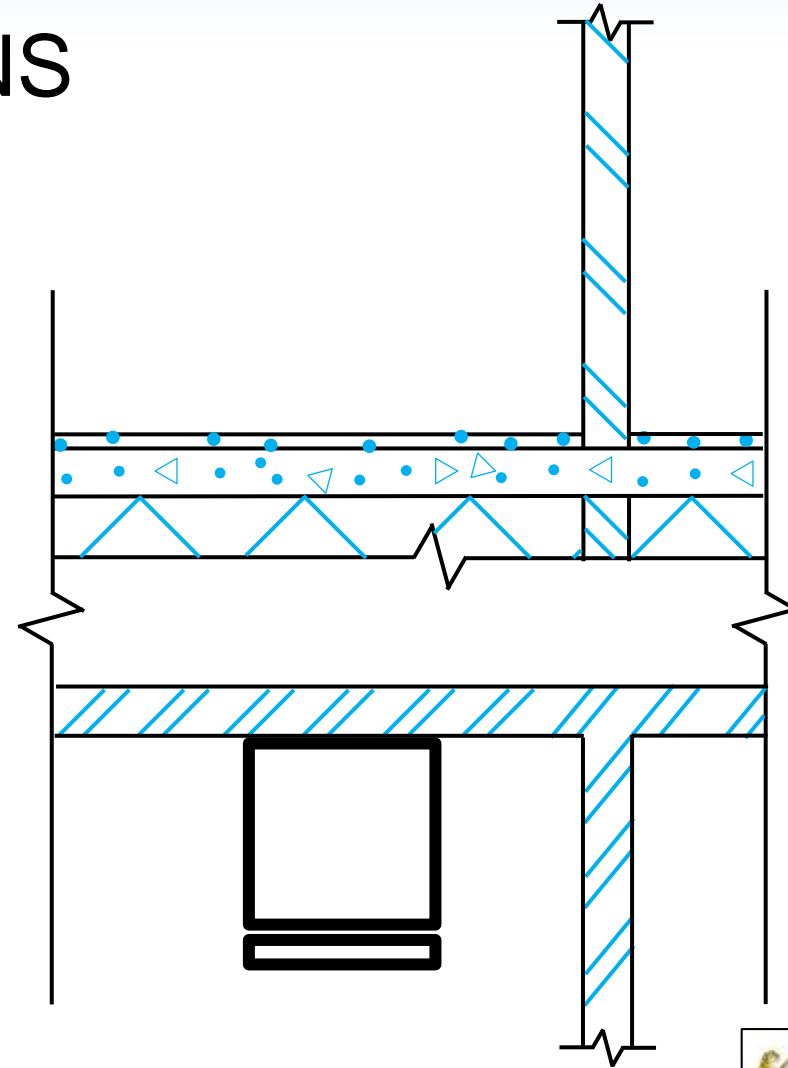
SANS 10143 Symbols

- The conventional SANS representation of a **STOVE**



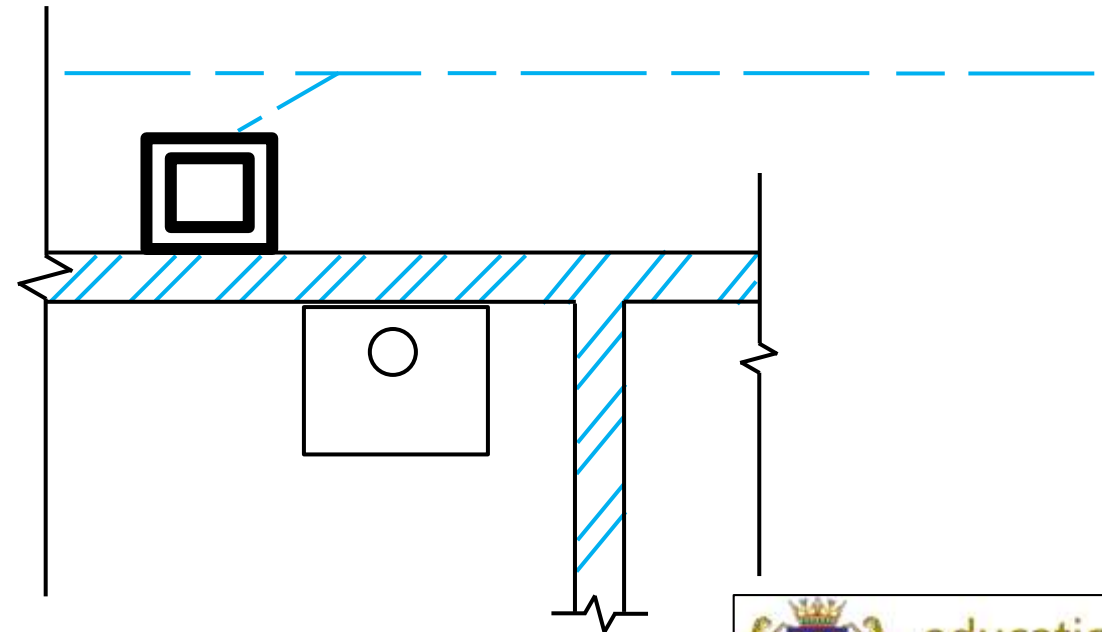
SANS 10143 Symbols

- The conventional SANS representation of a **FRIDGE**



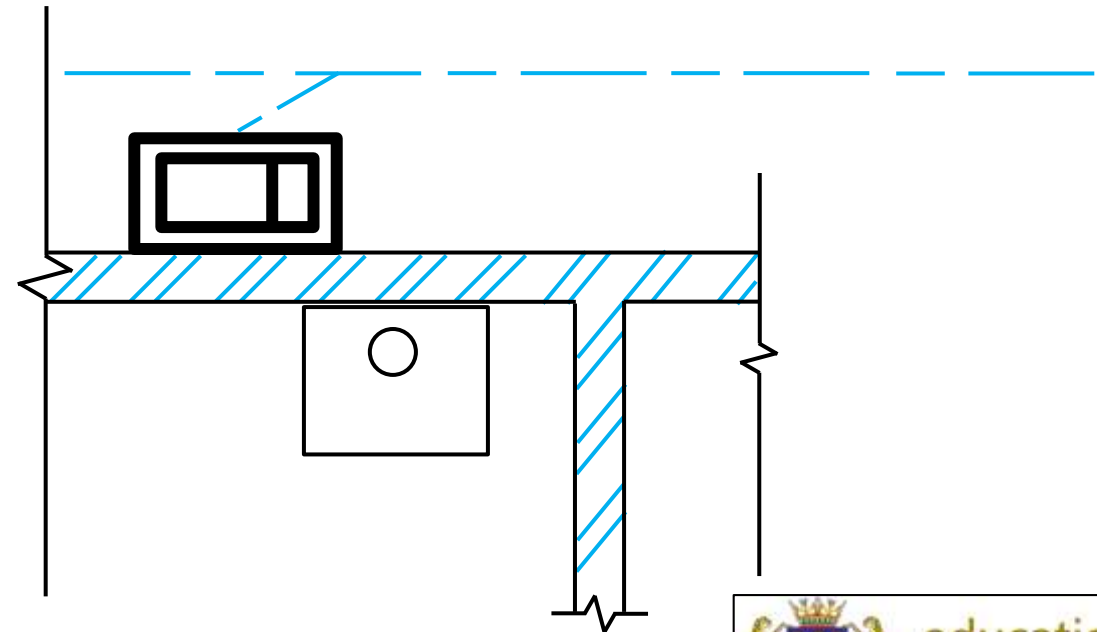
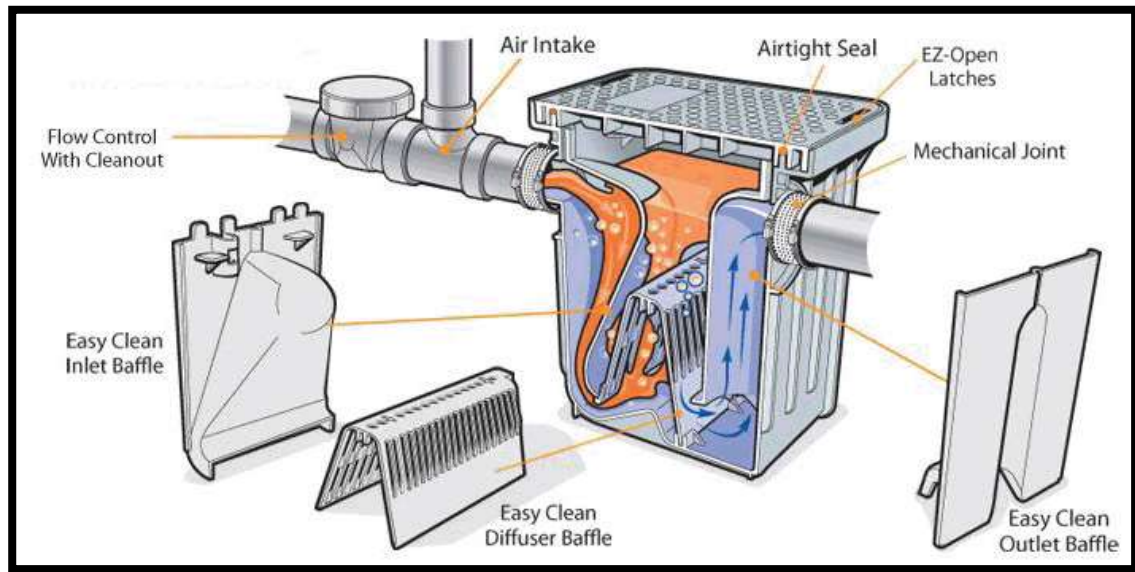
SANS 10143 Symbols

- The conventional SANS representation of a **GULLY**



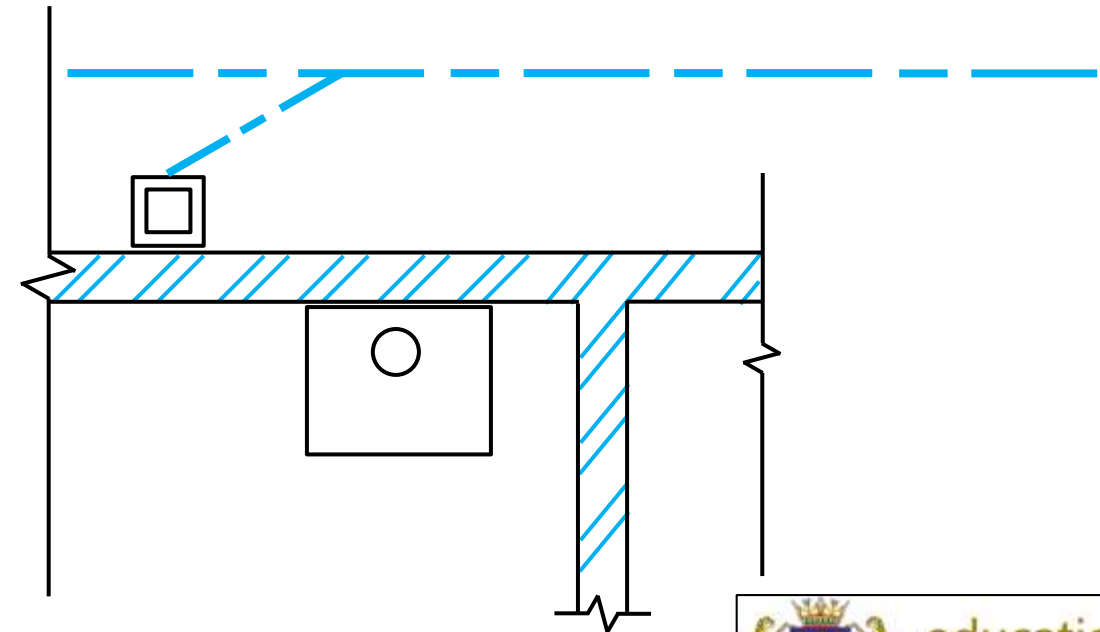
SANS 10143 Symbols

- The conventional SANS representation of a **GREASE TRAP**



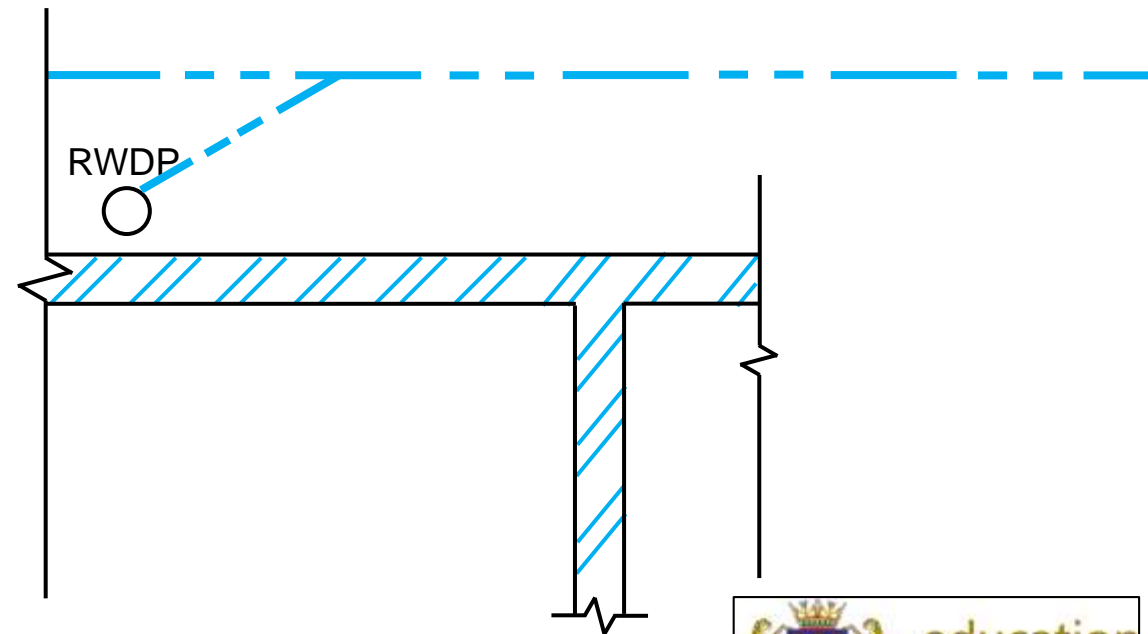
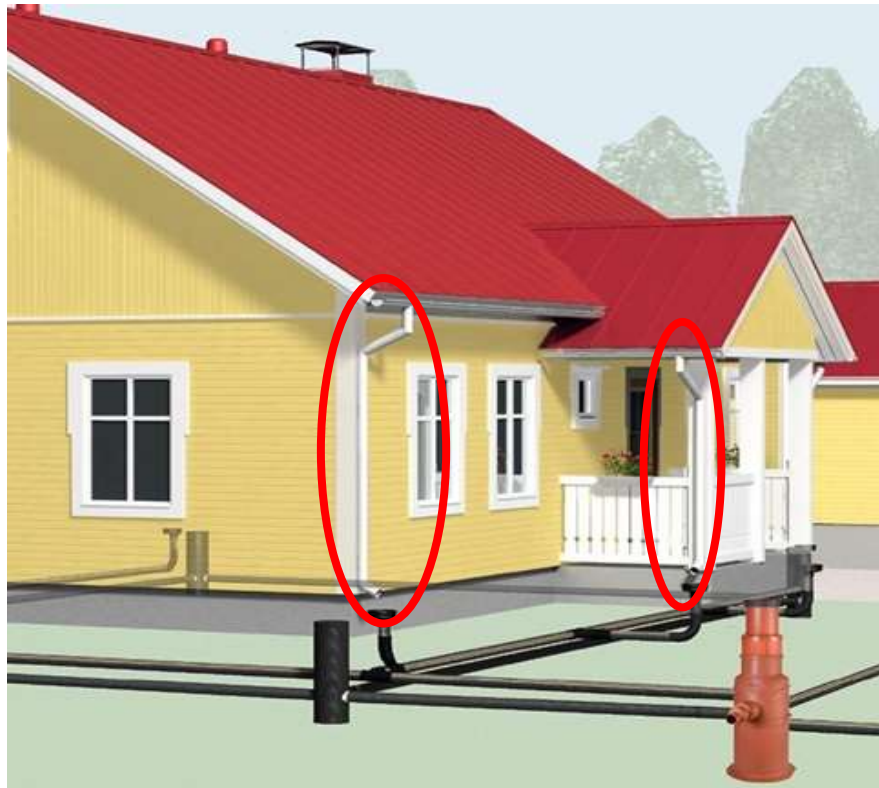
SANS 10143 Symbols

- The conventional SANS representation of a **SEWER PIPES**



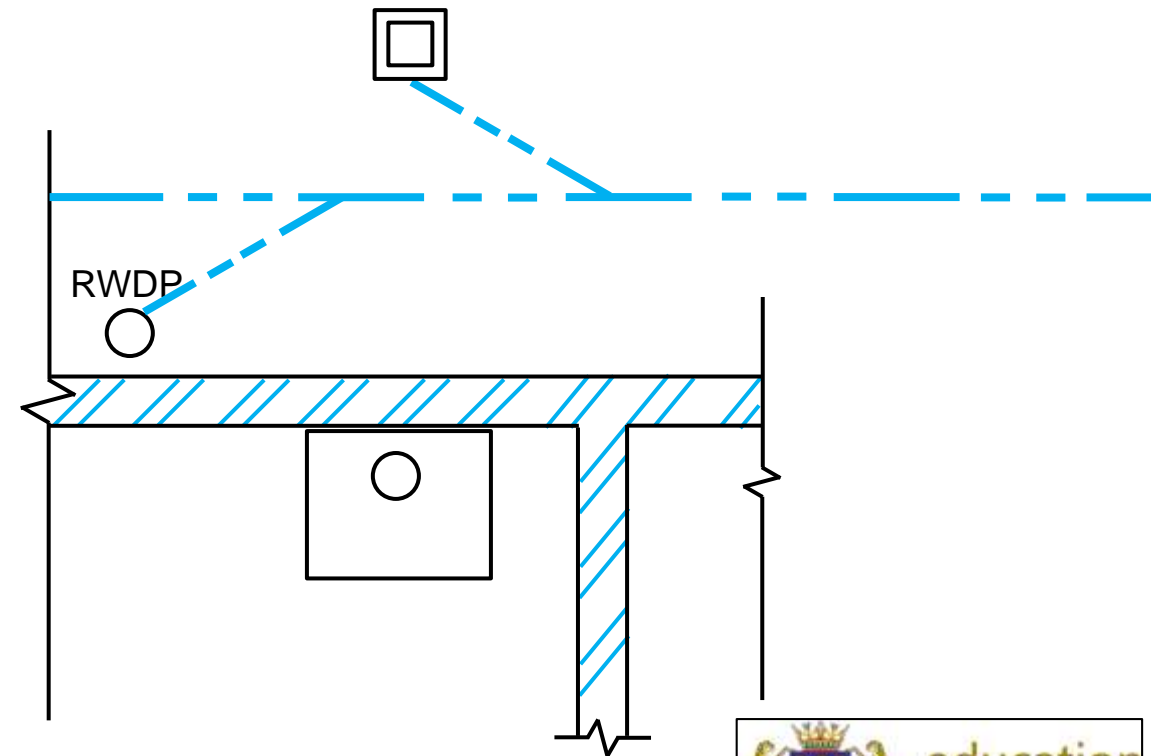
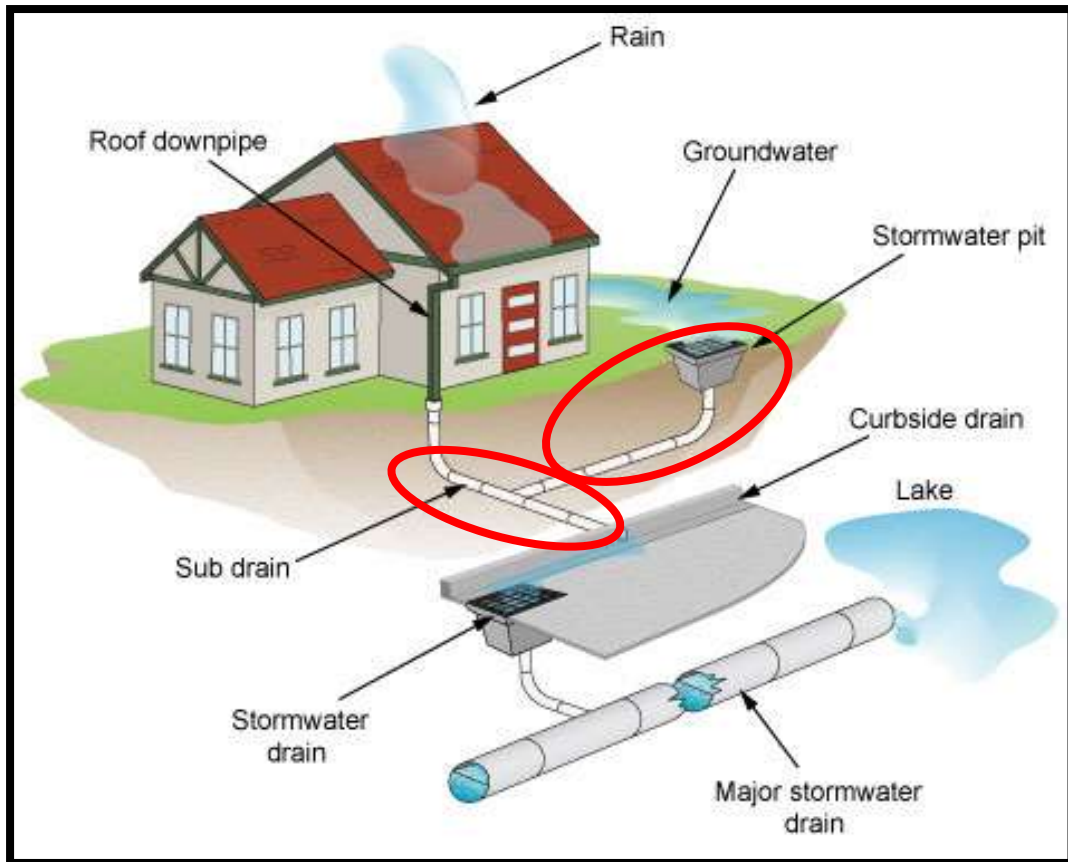
SANS 10143 Symbols

- The conventional SANS representation of a **RAIN WATER DOWN PIPES (RWDP)**



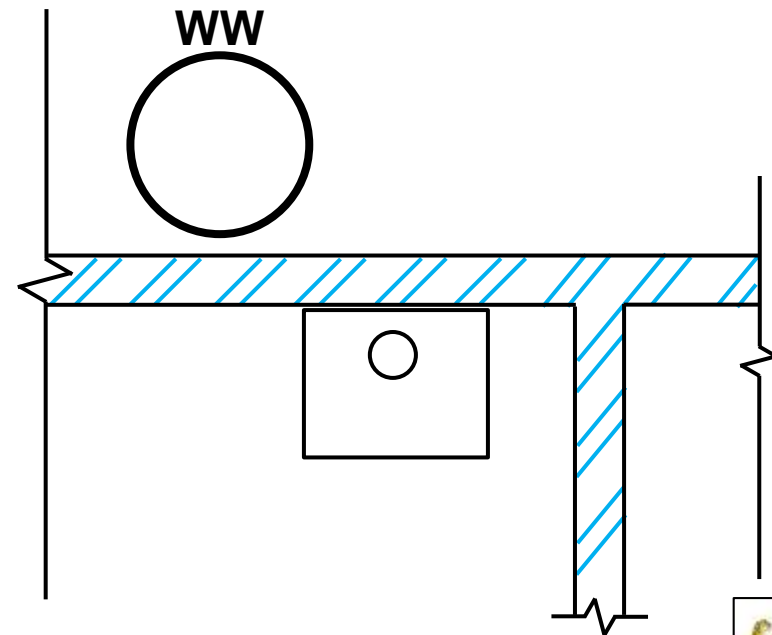
SANS 10143 Symbols

- The conventional SANS representation of a **STORMWATER PIPES**



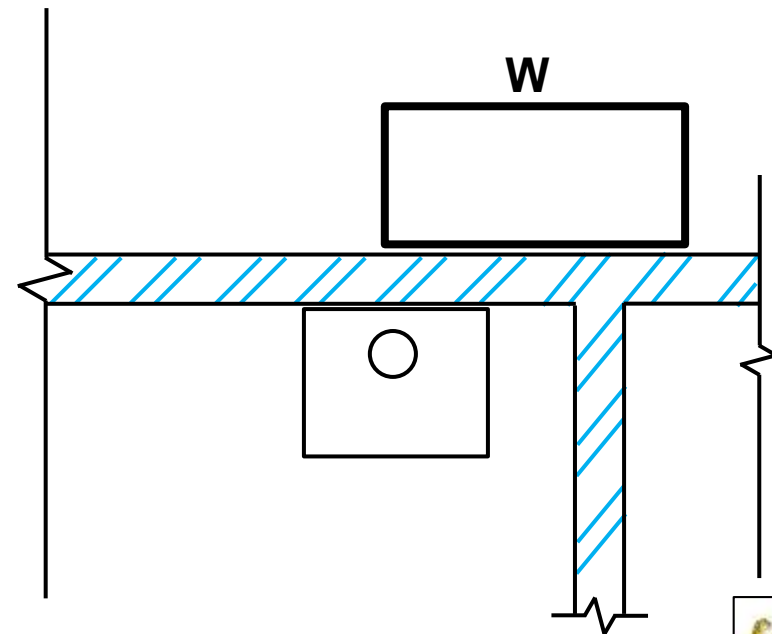
SANS 10143 Symbols

- The conventional SANS representation of a **HOT WATER CYLINDER (GEYSER)**



SANS 10143 Symbols

- The conventional SANS representation of a **WATER TANK**



SANS 10143 Symbols

- The conventional SANS representation of a **WATER METER**

